



US00D585613S

(12) **United States Design Patent**
Senyuva

(10) **Patent No.:** **US D585,613 S**
(45) **Date of Patent:** **** Jan. 27, 2009**

(54) **CLEANING BRUSH**

(75) Inventor: **Hasan Zühtü Senyuva**, Levent-Istanbul (TR)

(73) Assignee: **Banat Firca ve Plastik Sanayi Anonim Sirketi**, Istanbul (TR)

(**) Term: **14 Years**

(21) Appl. No.: **29/322,876**

(22) Filed: **Aug. 13, 2008**

(51) **LOC (9) Cl.** **04-01**

(52) **U.S. Cl.** **D32/50**

(58) **Field of Classification Search** D32/40-45,
D32/50-51; D4/137, 102, 116; 15/116.1-116.2,
15/119.2, 231, 228, 147.1-147.2, 150, 209.1,
15/210.1; 401/137, 140

See application file for complete search history.

(56) **References Cited**

U.S. PATENT DOCUMENTS

1,694,983 A * 12/1928 Schaedel 15/210.1
2,163,638 A * 6/1939 Vaughn 15/244.1
D144,222 S * 3/1946 Snyder et al. D32/38
D154,297 S * 6/1949 Mock et al. D32/38

2,636,204 A * 4/1953 Soss 401/263
D249,821 S * 10/1978 Cooke et al. D4/199
D287,173 S * 12/1986 Libman D32/51
5,426,809 A * 6/1995 Muta 15/228
D391,715 S * 3/1998 Irwin et al. D32/50
D458,427 S * 6/2002 Kunkler et al. D32/45
D563,068 S * 2/2008 Jiang et al. D32/50

* cited by examiner

Primary Examiner—Pamela J Burgess

(74) *Attorney, Agent, or Firm*—Egbert Law Offices PLLC

(57) **CLAIM**

The ornamental design for a cleaning brush, as shown and described.

DESCRIPTION

FIG. 1 is a top view of the cleaning brush showing my design;

FIG. 2 is a front view thereof;

FIG. 3 is a rear view thereof;

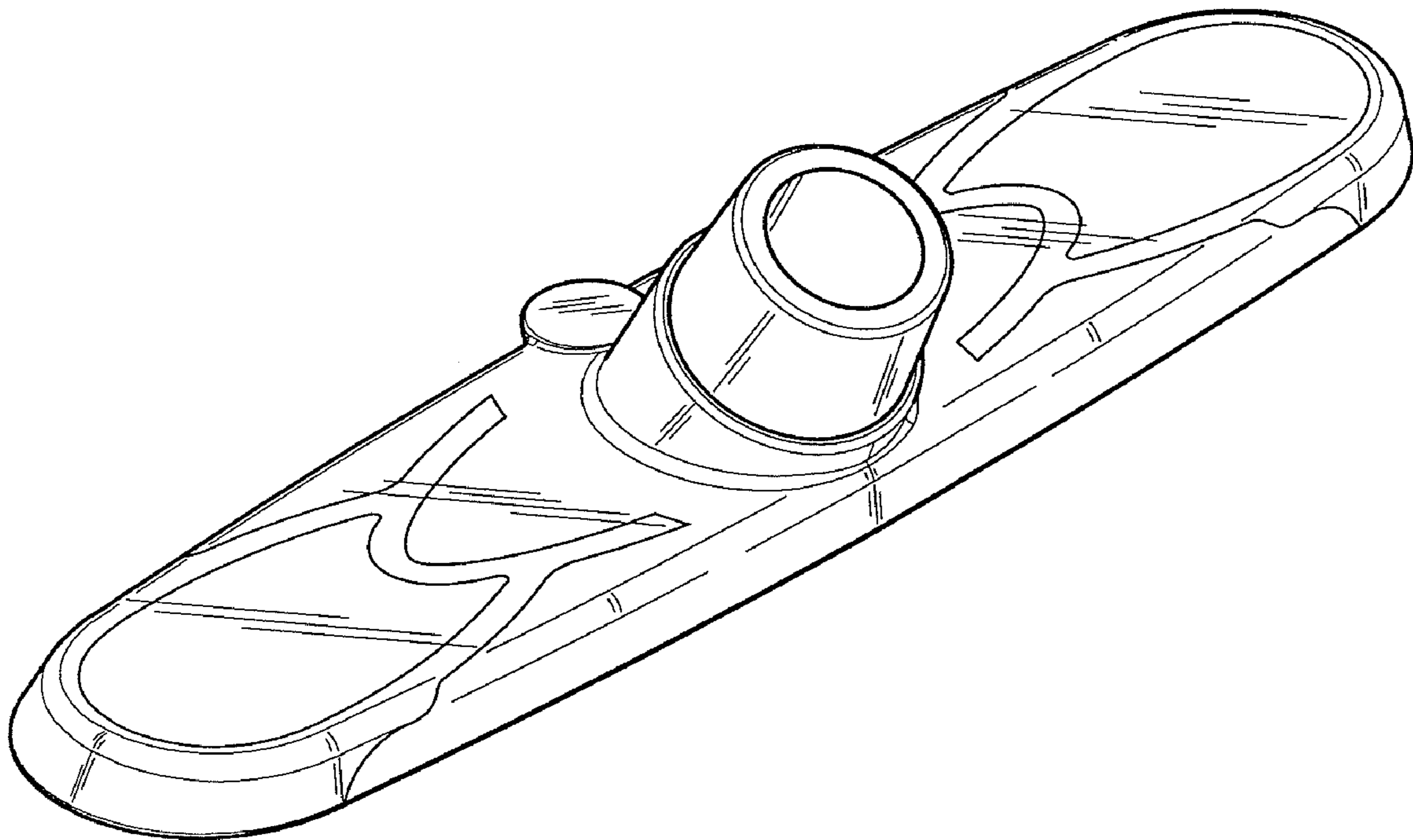
FIG. 4 is a bottom view thereof;

FIG. 5 is a side view thereof;

FIG. 6 is an opposite side view thereof; and,

FIG. 7 is an upper perspective view thereof.

1 Claim, 2 Drawing Sheets



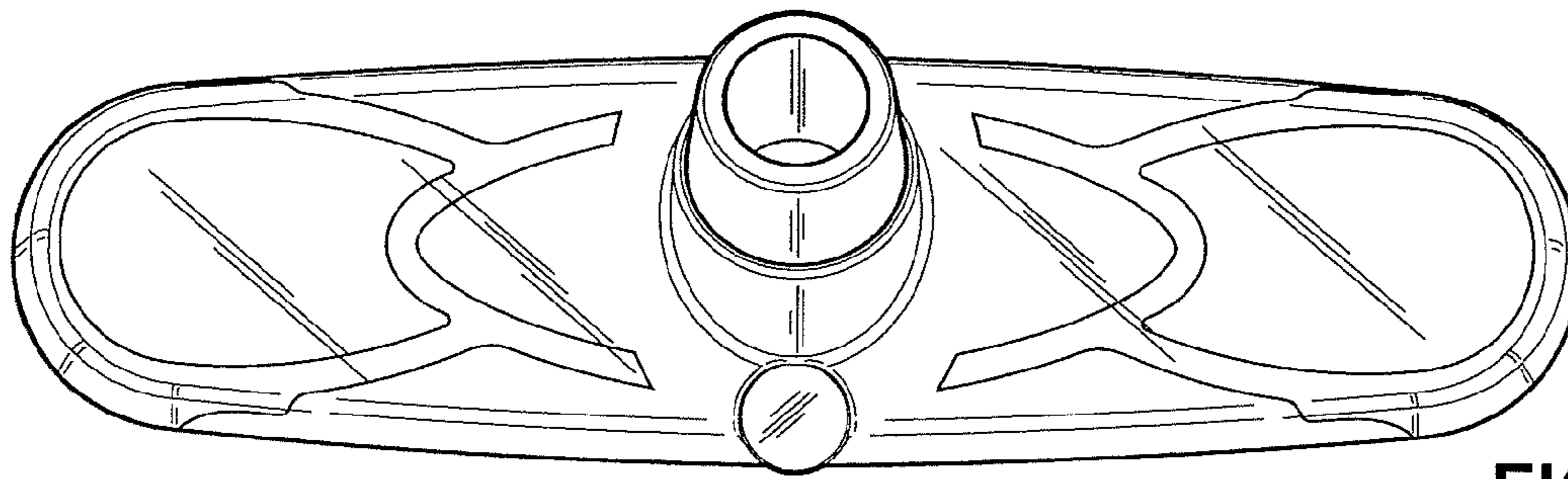


FIG. 1

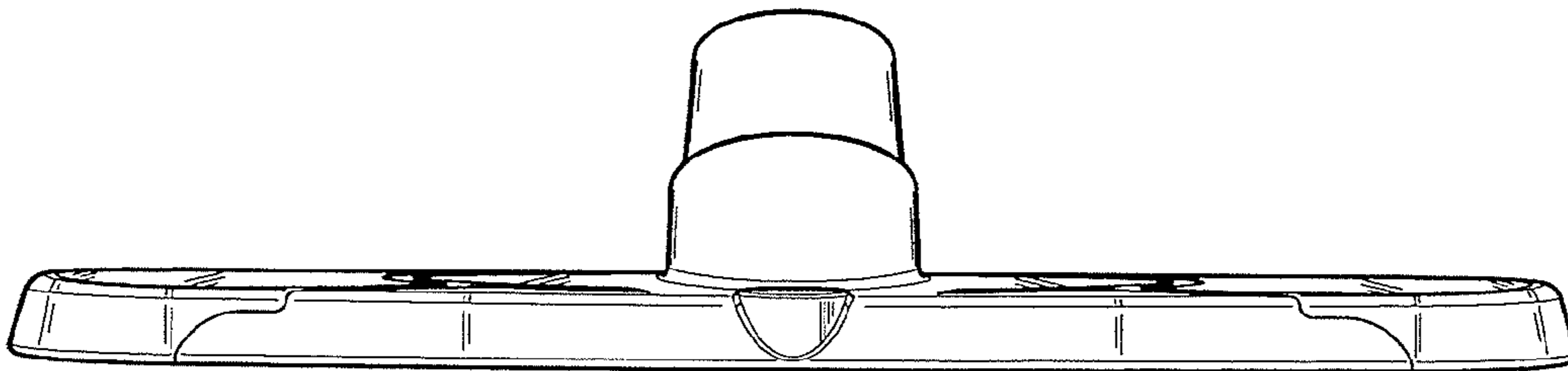


FIG. 2

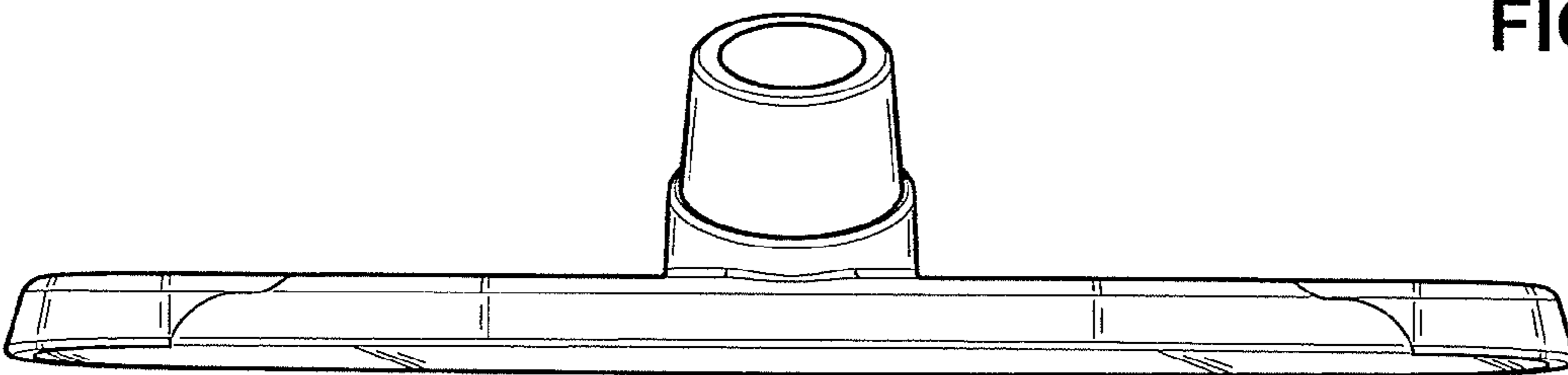


FIG. 3

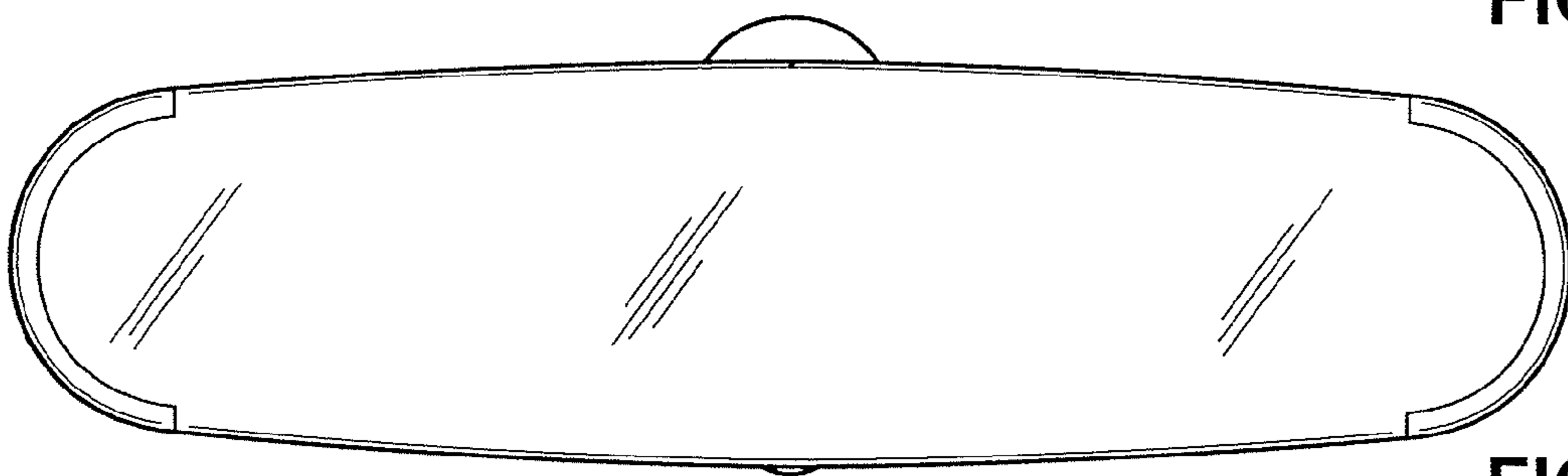


FIG. 4

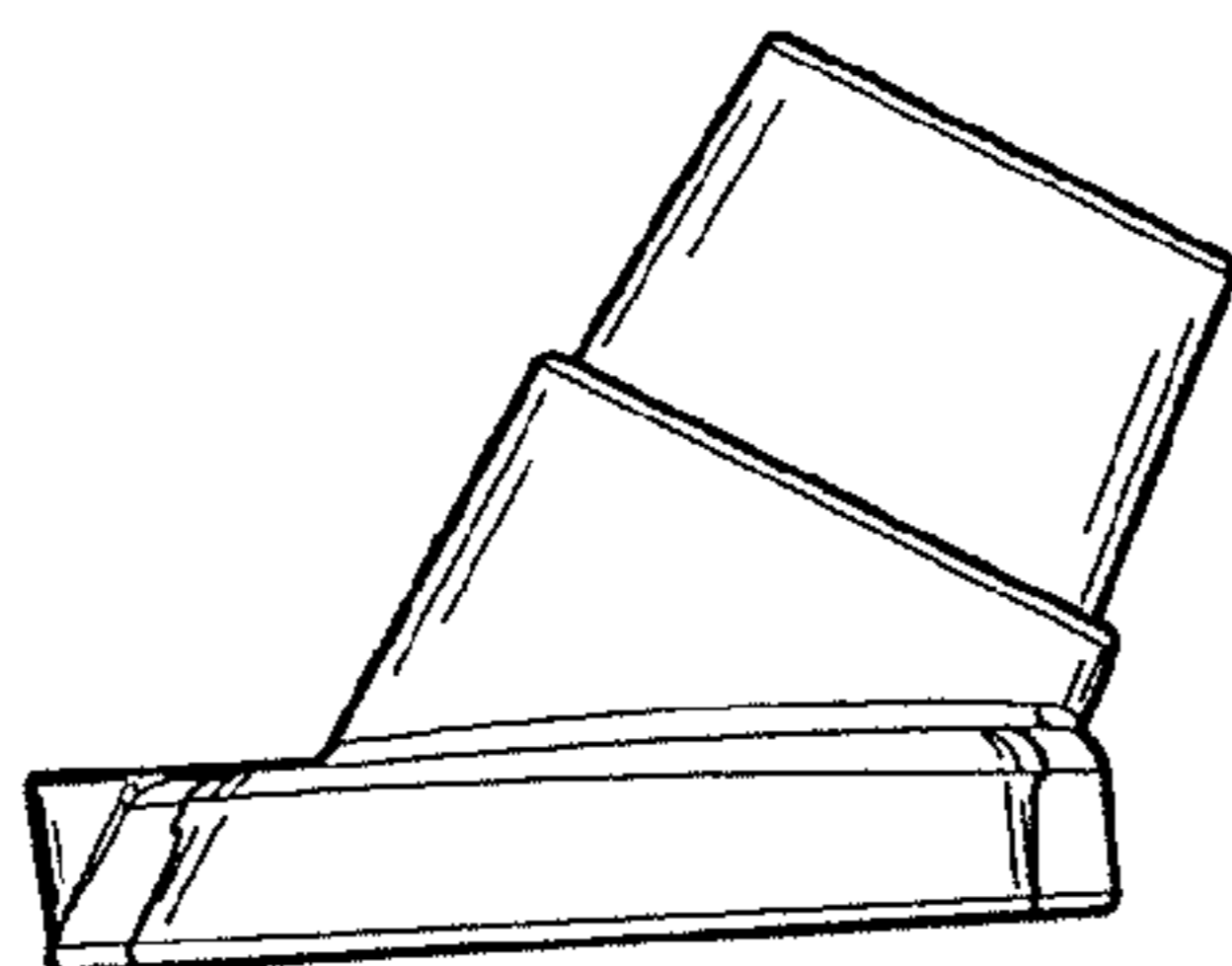


FIG. 5

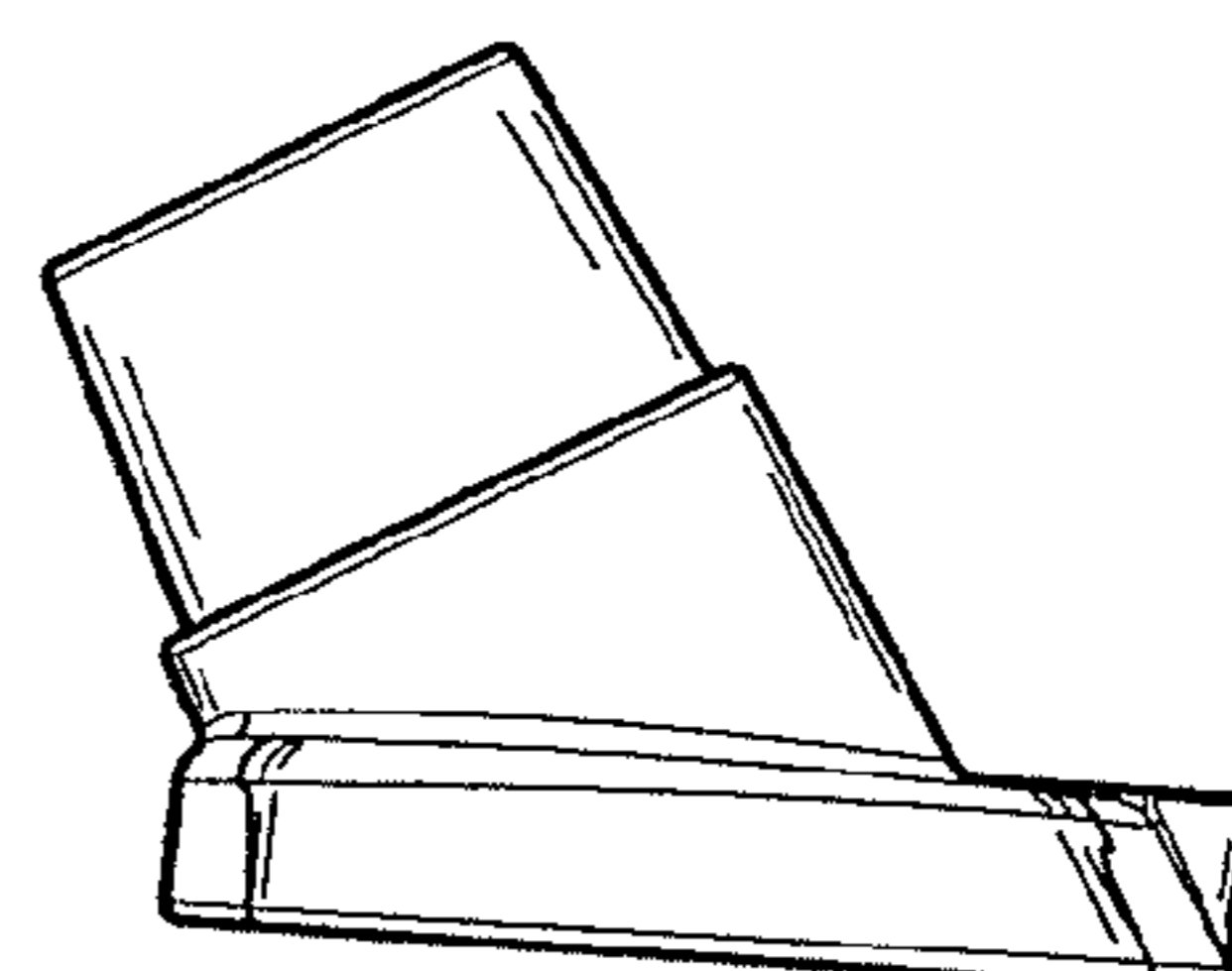


FIG. 6

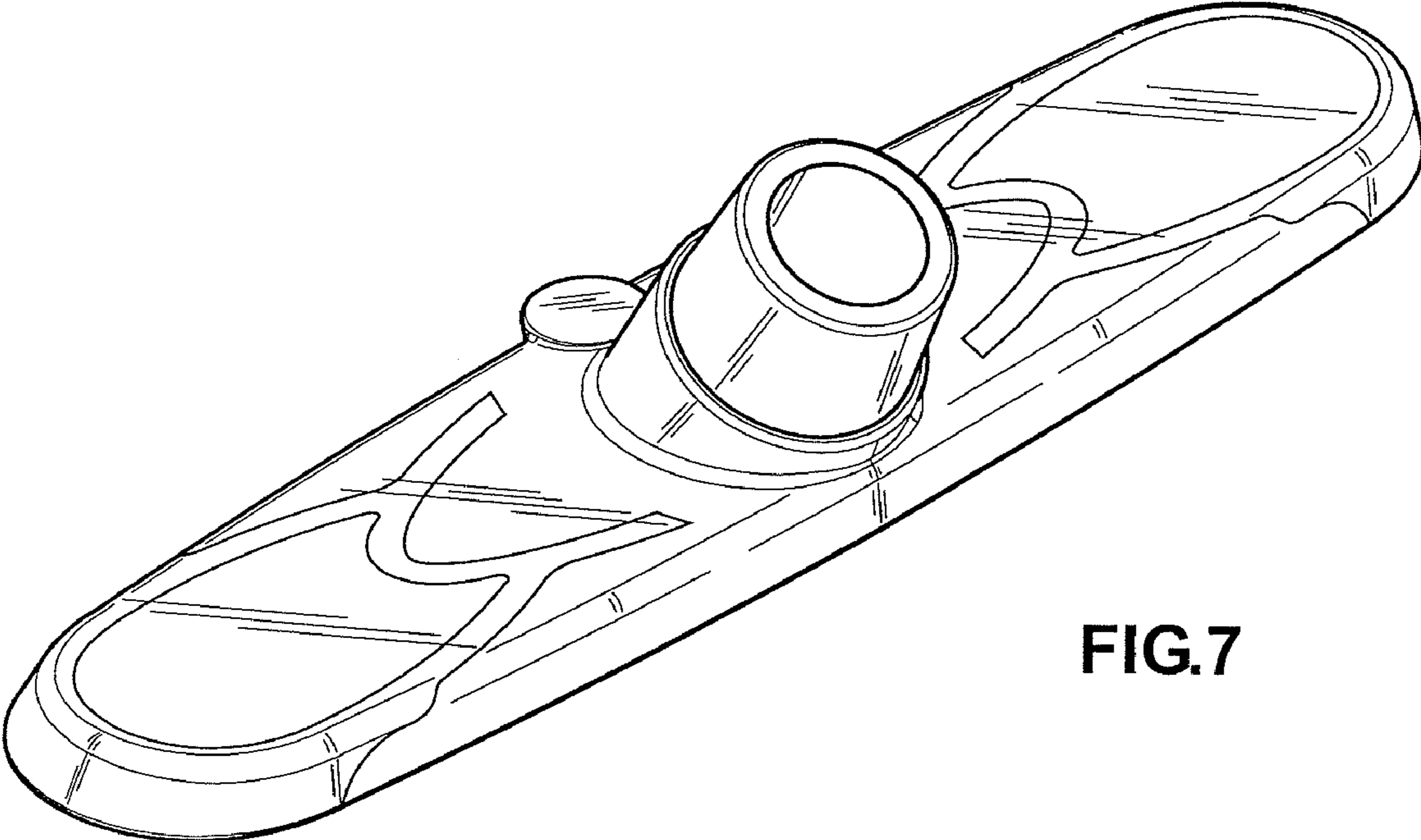


FIG.7