



US00D585608S

(12) **United States Design Patent**
Conrad et al.

(10) **Patent No.:** **US D585,608 S**
(45) **Date of Patent:** **** Jan. 27, 2009**

(54) **VACUUM CLEANER**

(75) Inventors: **Wayne Ernest Conrad**, Hampton (CA);
Nina Kanevsky Conrad, Hampton (CA)

(73) Assignee: **G.B.D. Corporation**, Nassau (BS)

(**) Term: **14 Years**

(21) Appl. No.: **29/282,562**

(22) Filed: **Jul. 24, 2007**

(30) **Foreign Application Priority Data**

Jun. 21, 2007 (CA) 121152

(51) **LOC (9) Cl.** **15-05**

(52) **U.S. Cl.** **D32/21**

(58) **Field of Classification Search** D32/21-24,
D32/31, 16, 30; 15/320-321, 323, 327.1-327.7,
15/329, 335, 340.2, 351, 353, 361, 410-412,
15/246.2, DIG. 10, 347, 350; 285/7; 55/DIG. 3,
55/345, 337, 459.2, 418, 471, 319, 429; 95/271
See application file for complete search history.

(56) **References Cited**

U.S. PATENT DOCUMENTS

- D325,453 S * 4/1992 Tsuge D32/21
- D335,555 S * 5/1993 Reath D32/21
- D344,377 S * 2/1994 Thomas D32/23
- D367,342 S * 2/1996 Langeland et al. D32/23
- 6,101,669 A * 8/2000 Martin et al. 15/327.2
- D467,694 S * 12/2002 Kitts D32/21
- D496,764 S * 9/2004 Lopano D32/21

D564,154 S * 3/2008 Hollis et al. D32/21

* cited by examiner

Primary Examiner—Ruth McInroy

(74) *Attorney, Agent, or Firm*—Phillip C. Mendes da Costa;
Bereskin & Parr

(57) **CLAIM**

I claim the ornamental design for a vacuum cleaner, as shown and described.

DESCRIPTION

FIG. 1 is a front and right-side perspective view of a vacuum cleaner showing my new design;

FIG. 2 is a perspective view from the front and the left side of the vacuum cleaner of FIG. 1;

FIG. 3 is an elevation view of the left side vacuum cleaner of FIG. 1;

FIG. 4 is an elevation view of the right side of the vacuum cleaner of FIG. 1;

FIG. 5 is a top plan view of the vacuum cleaner of FIG. 1;

FIG. 6 is a bottom plan view of the vacuum cleaner of FIG. 1;

FIG. 7 is a front elevation view of the vacuum cleaner of FIG. 1; and,

FIG. 8 is a rear elevation view of the vacuum cleaner of FIG. 1.

The exterior casing of the front portion of the vacuum cleaner that has a circular cross-section is transparent. The parts in stippled outline do not form part of the design.

1 Claim, 6 Drawing Sheets

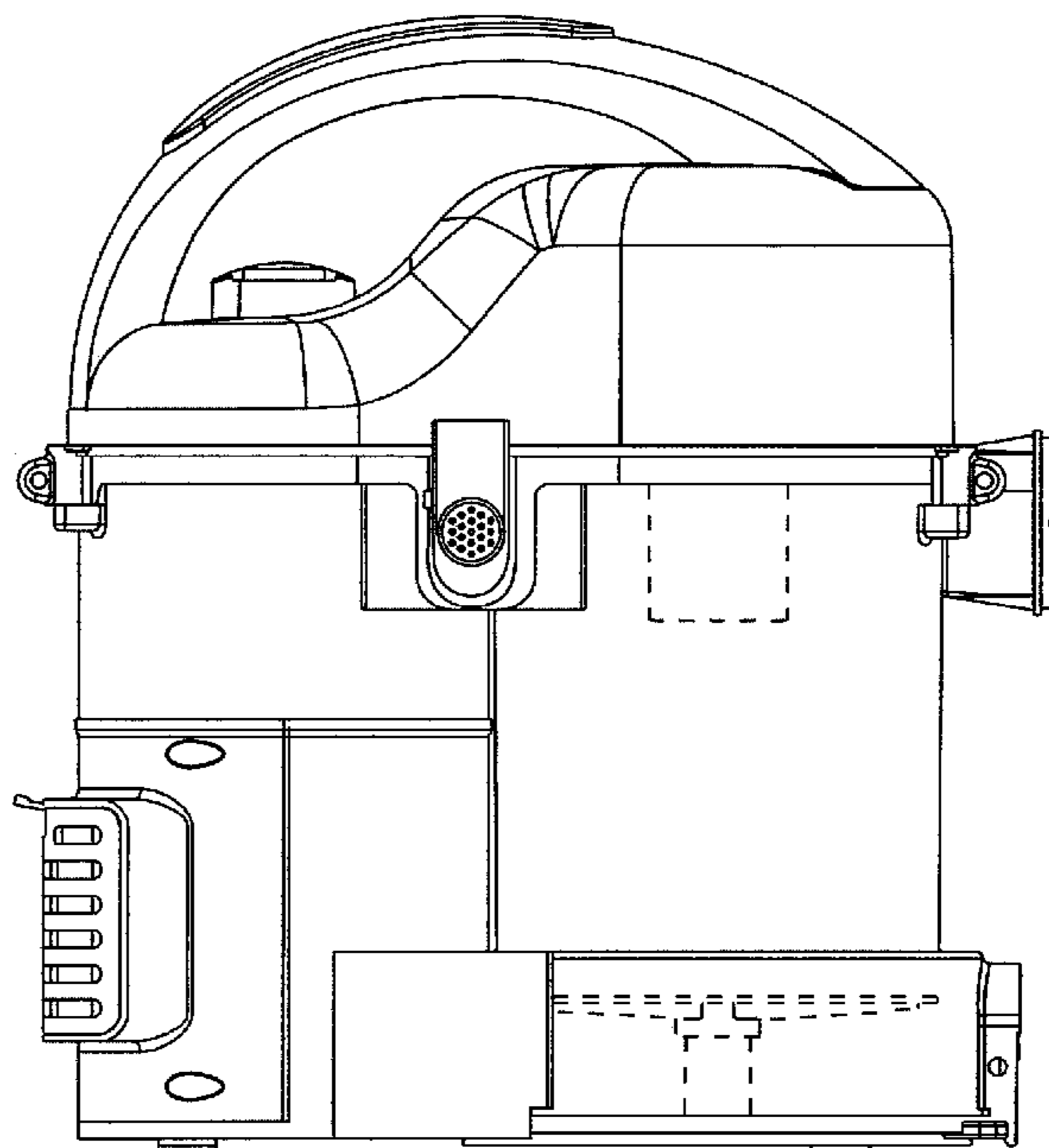
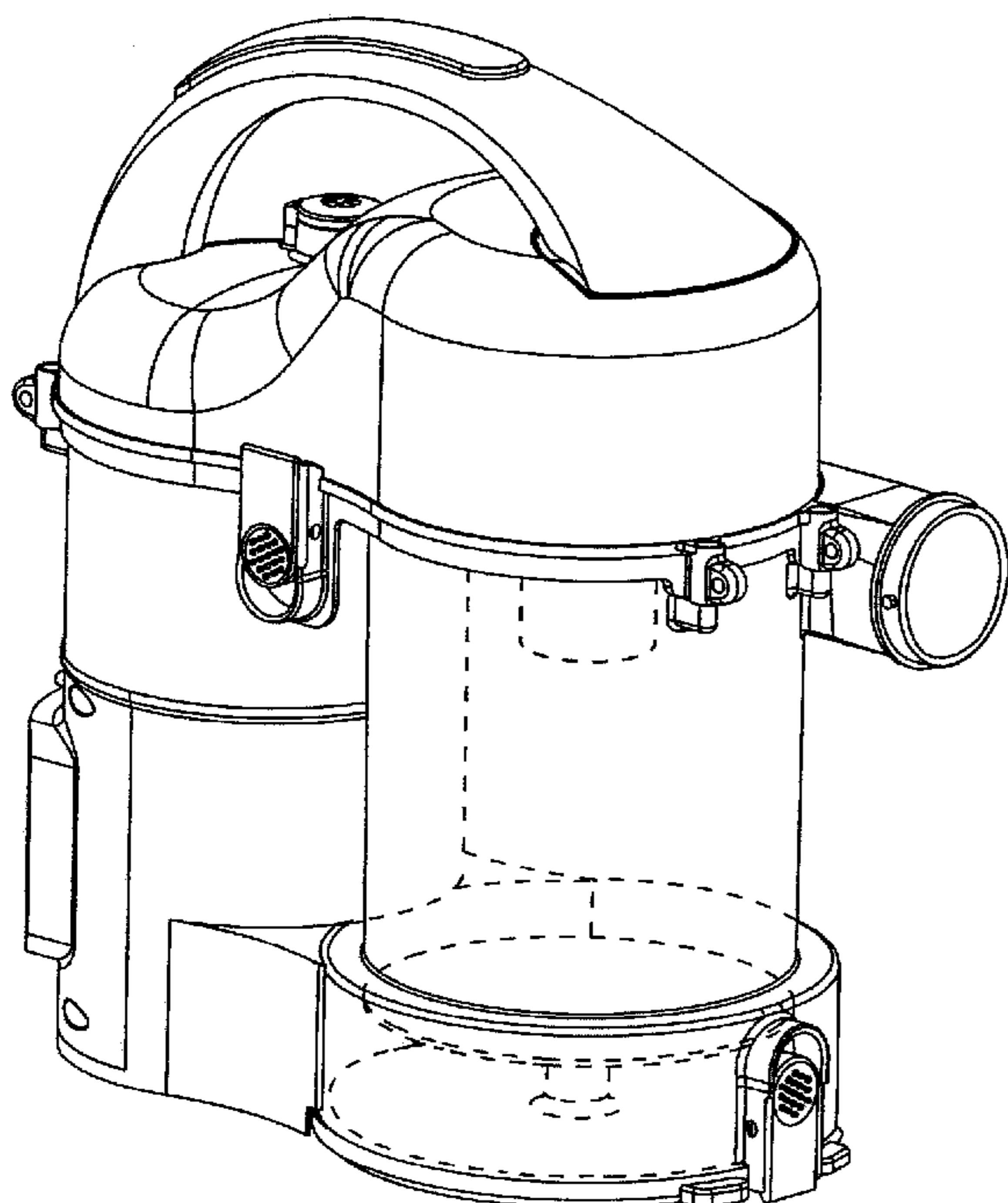


Fig 1.

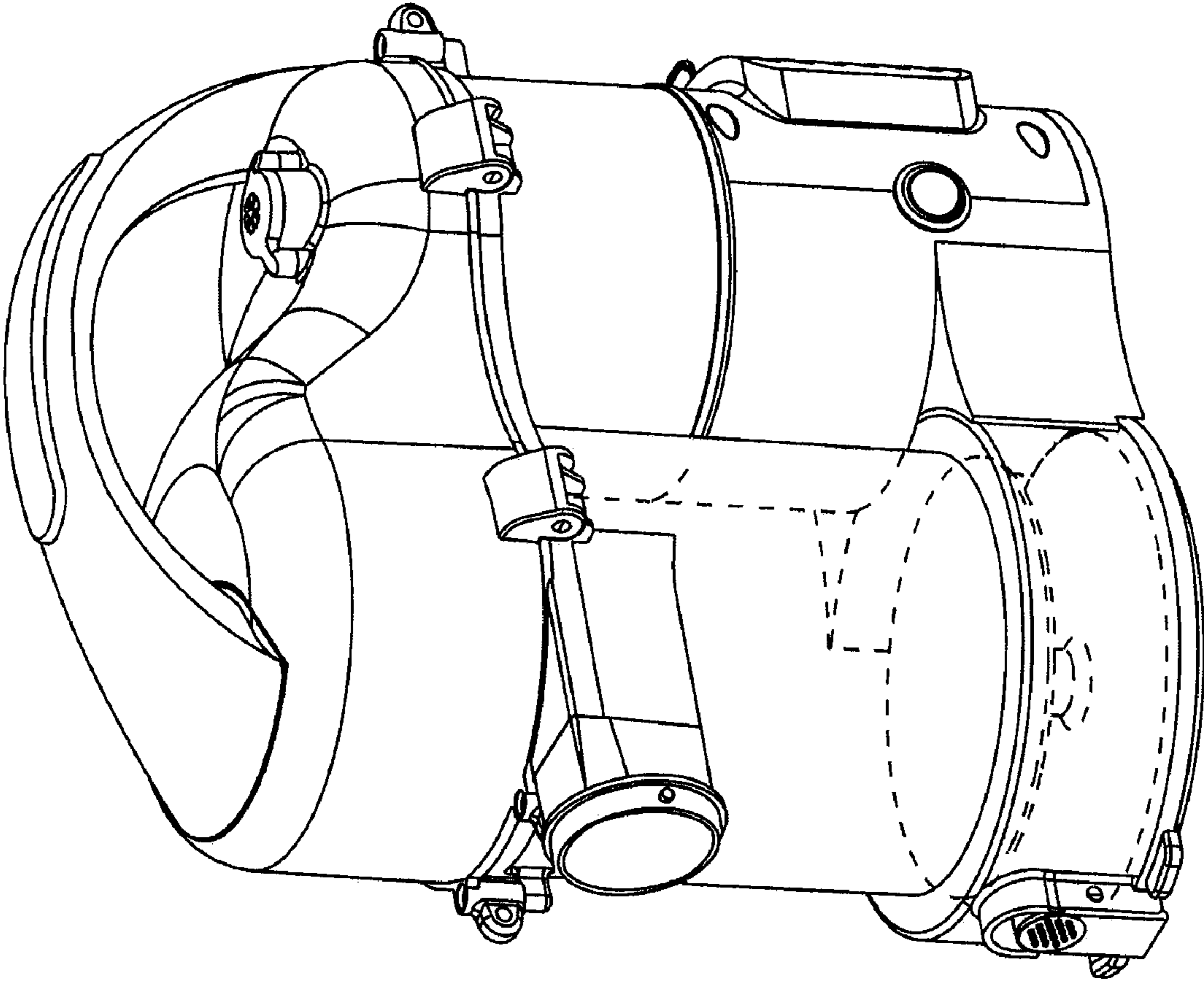
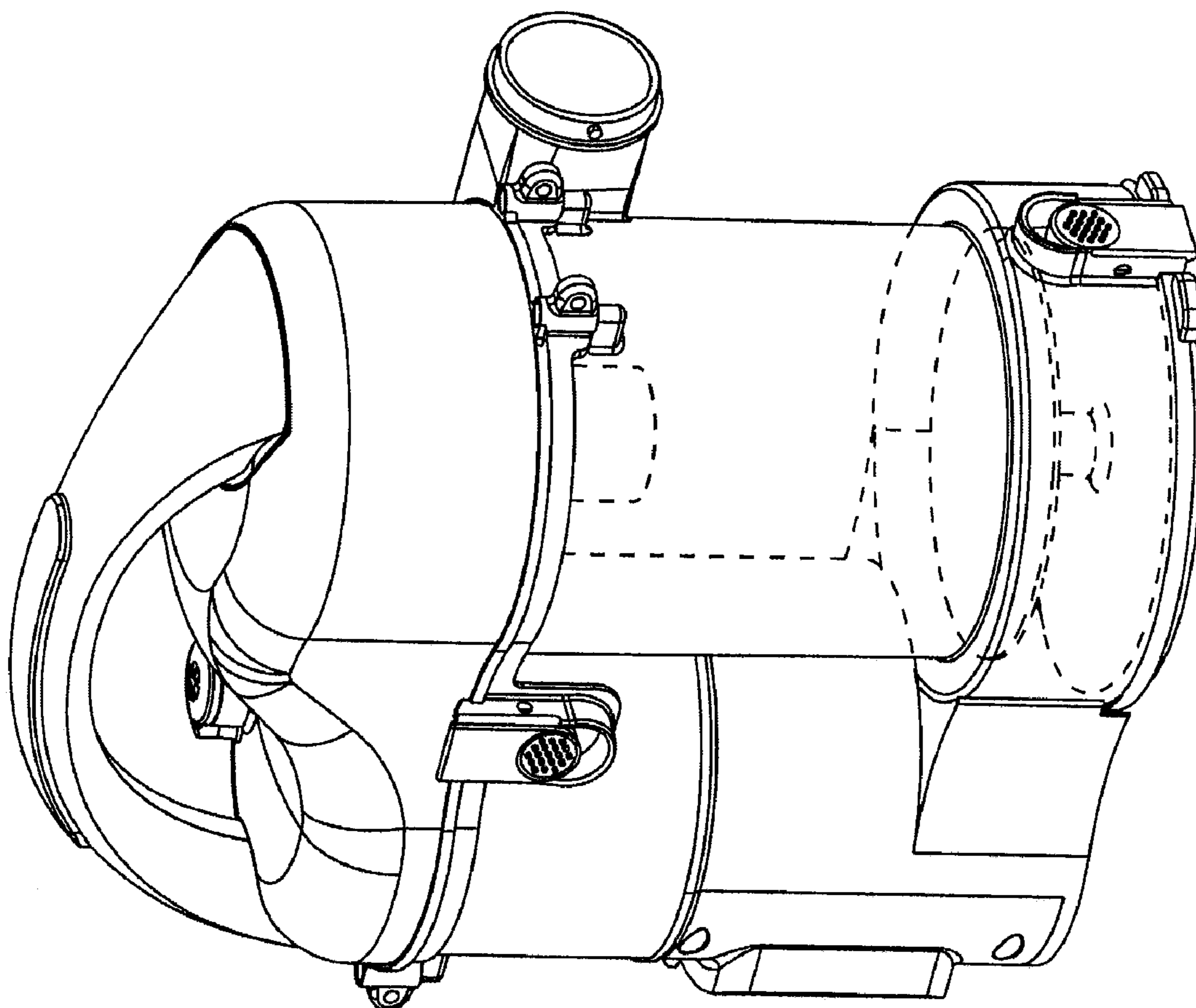


Fig 2.



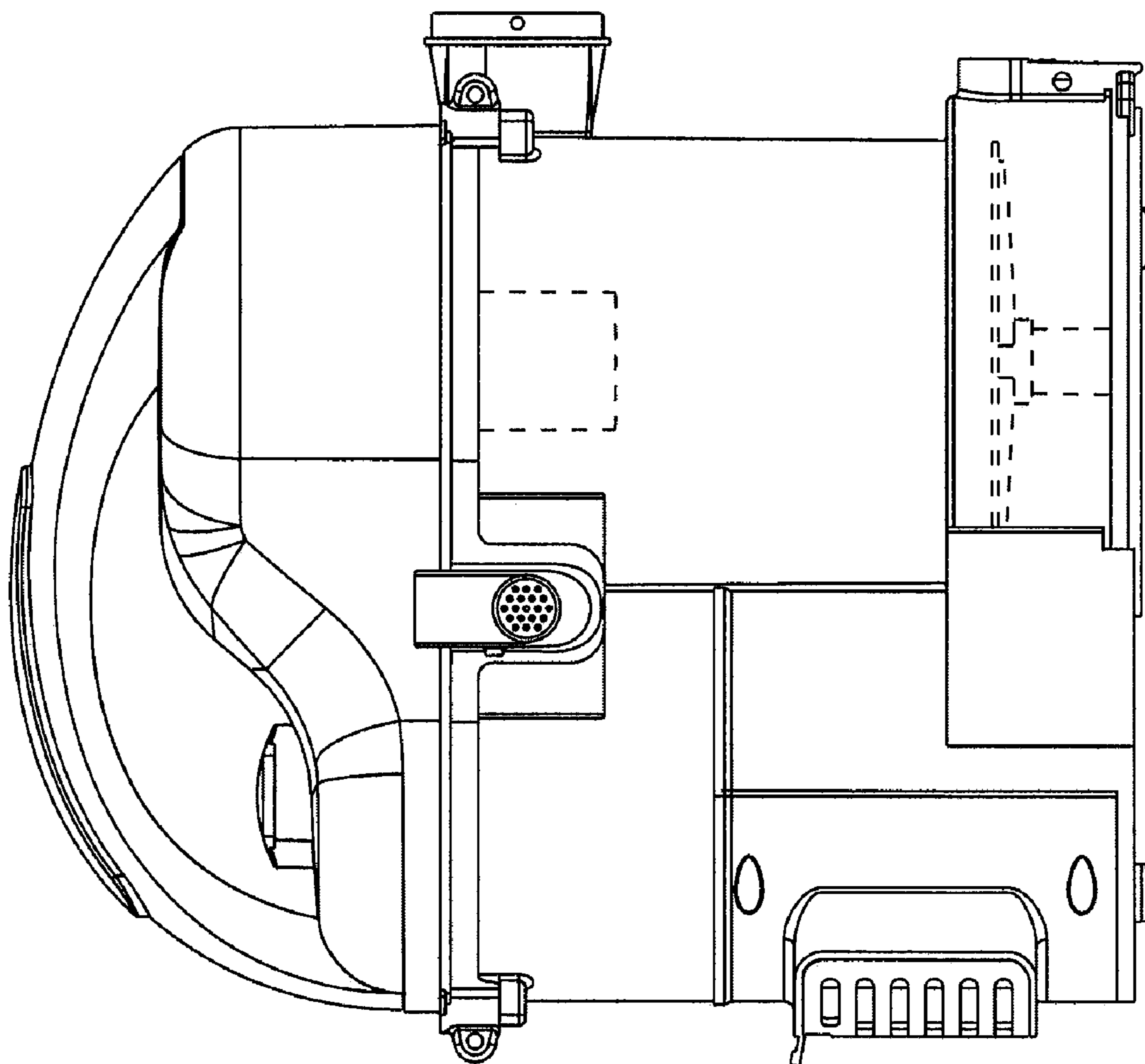


Fig 3.

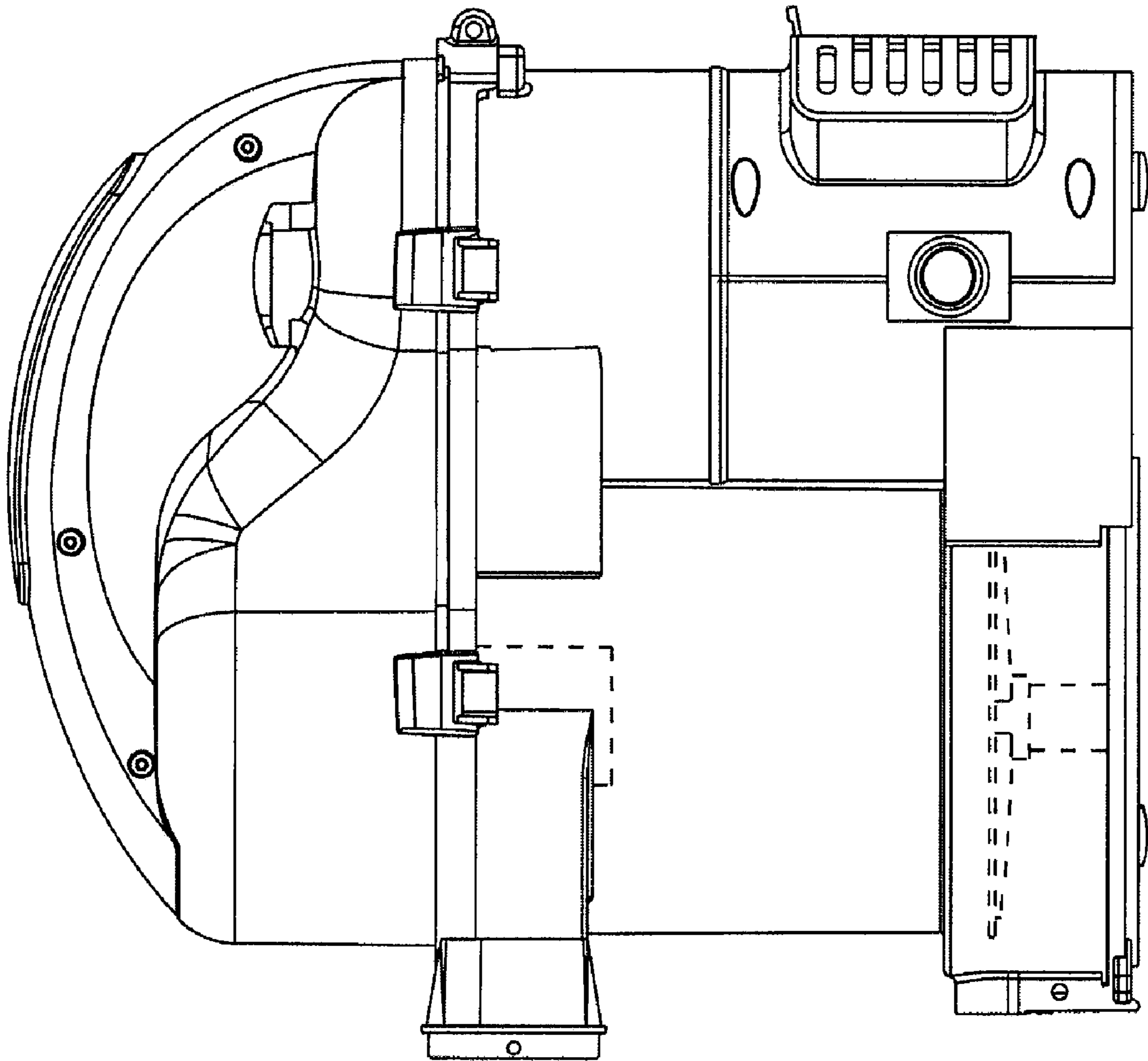


Fig 4.

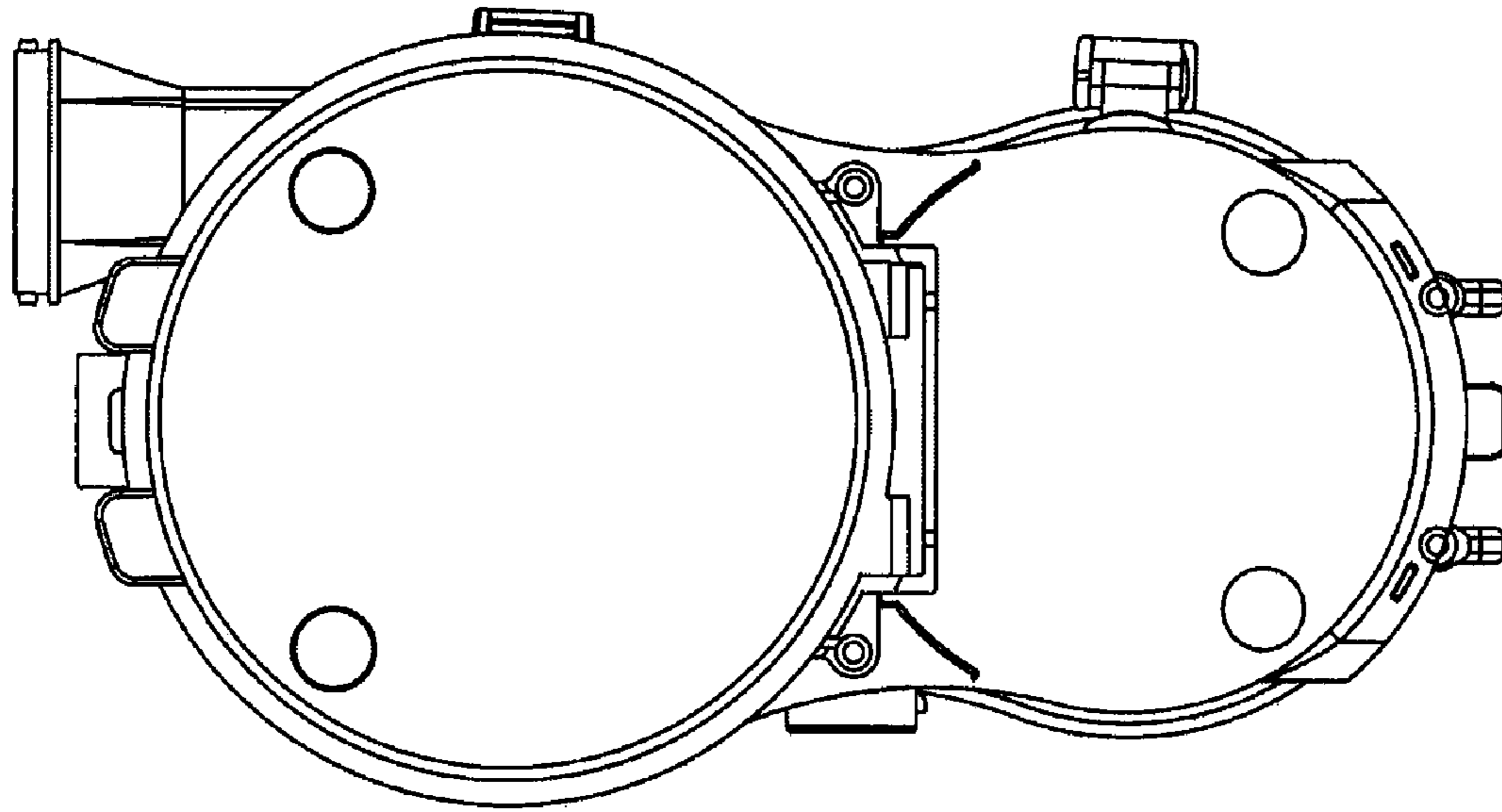


Fig 6.

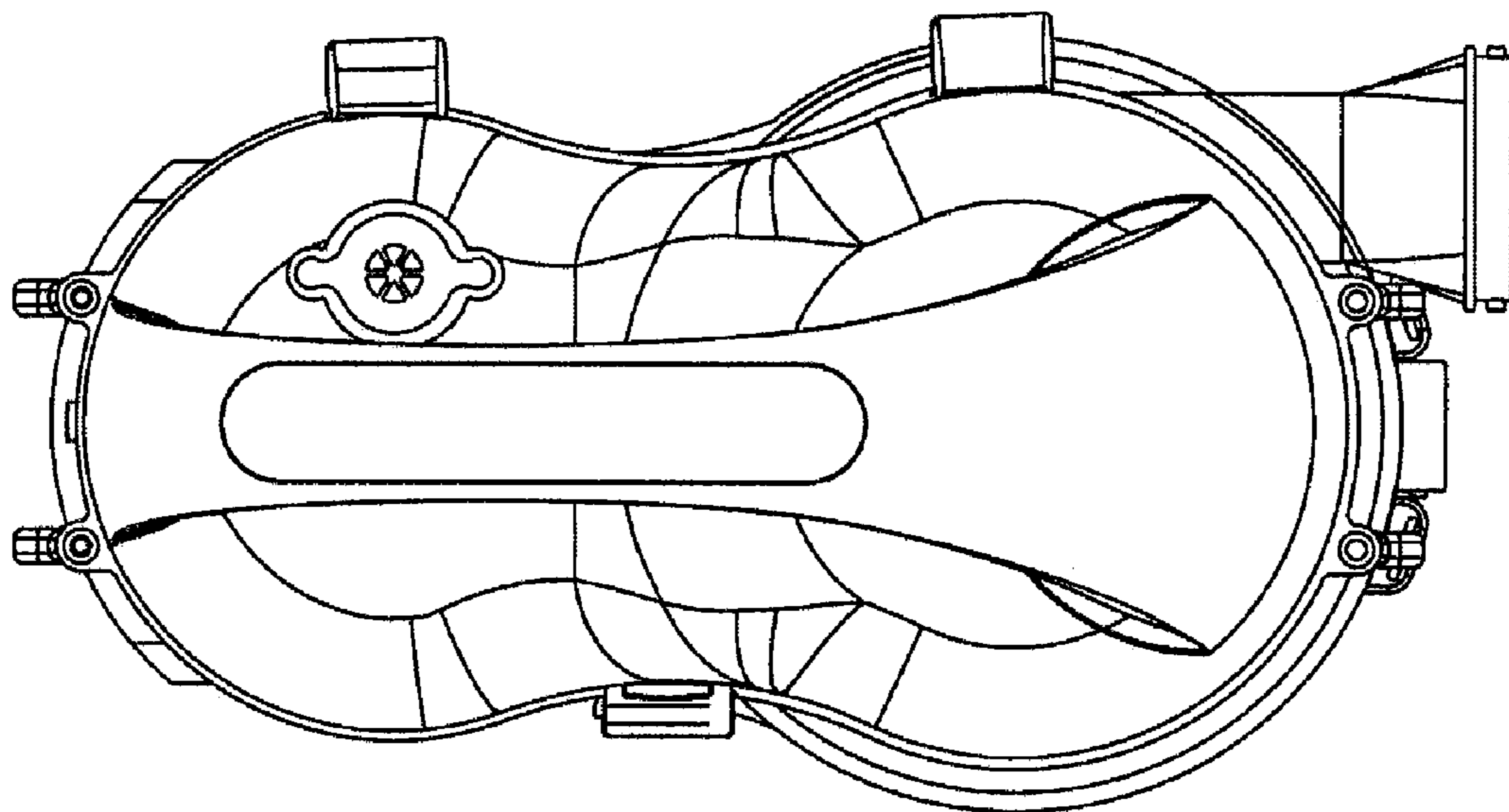


Fig 5.

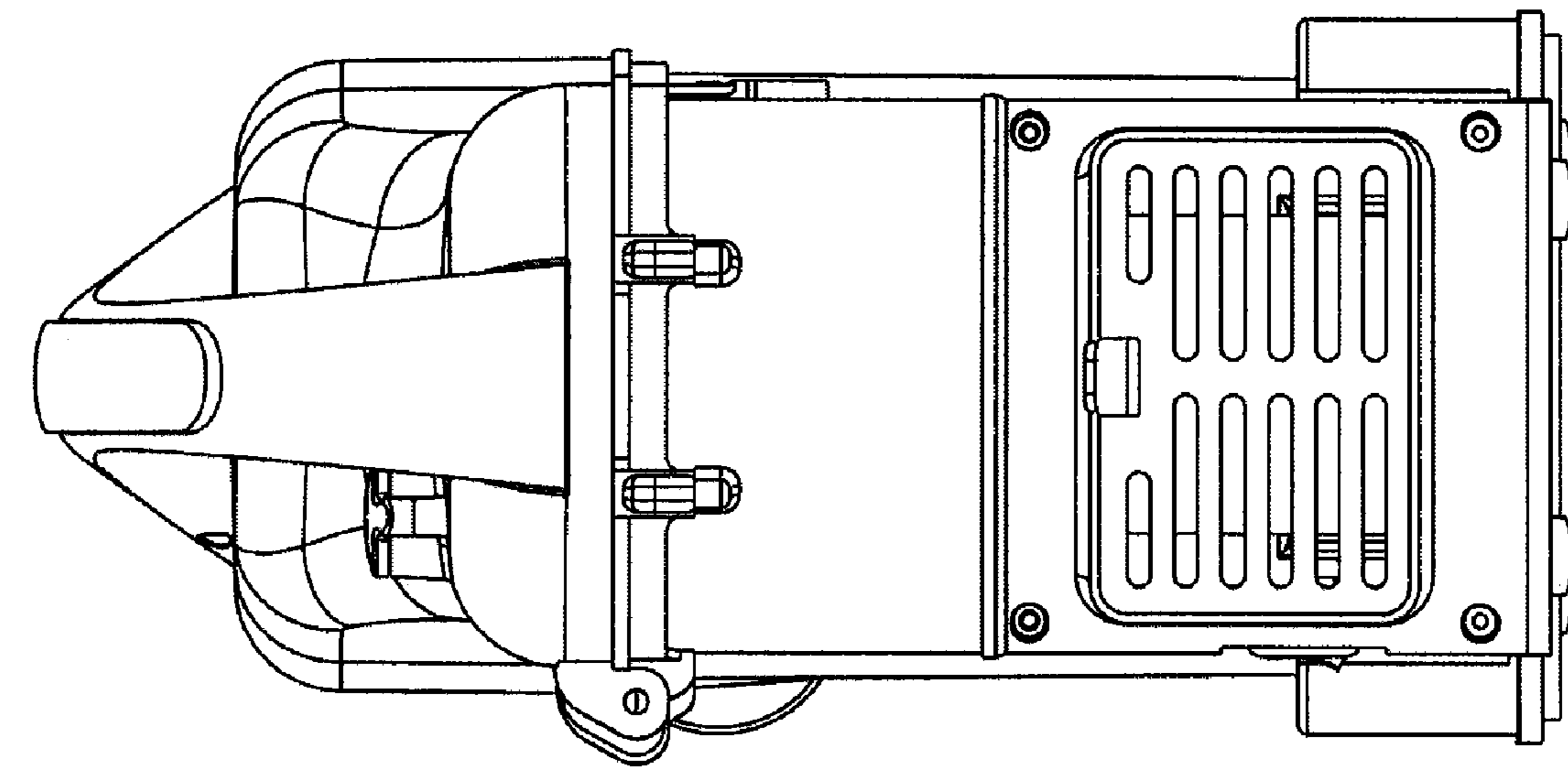


Fig 8.

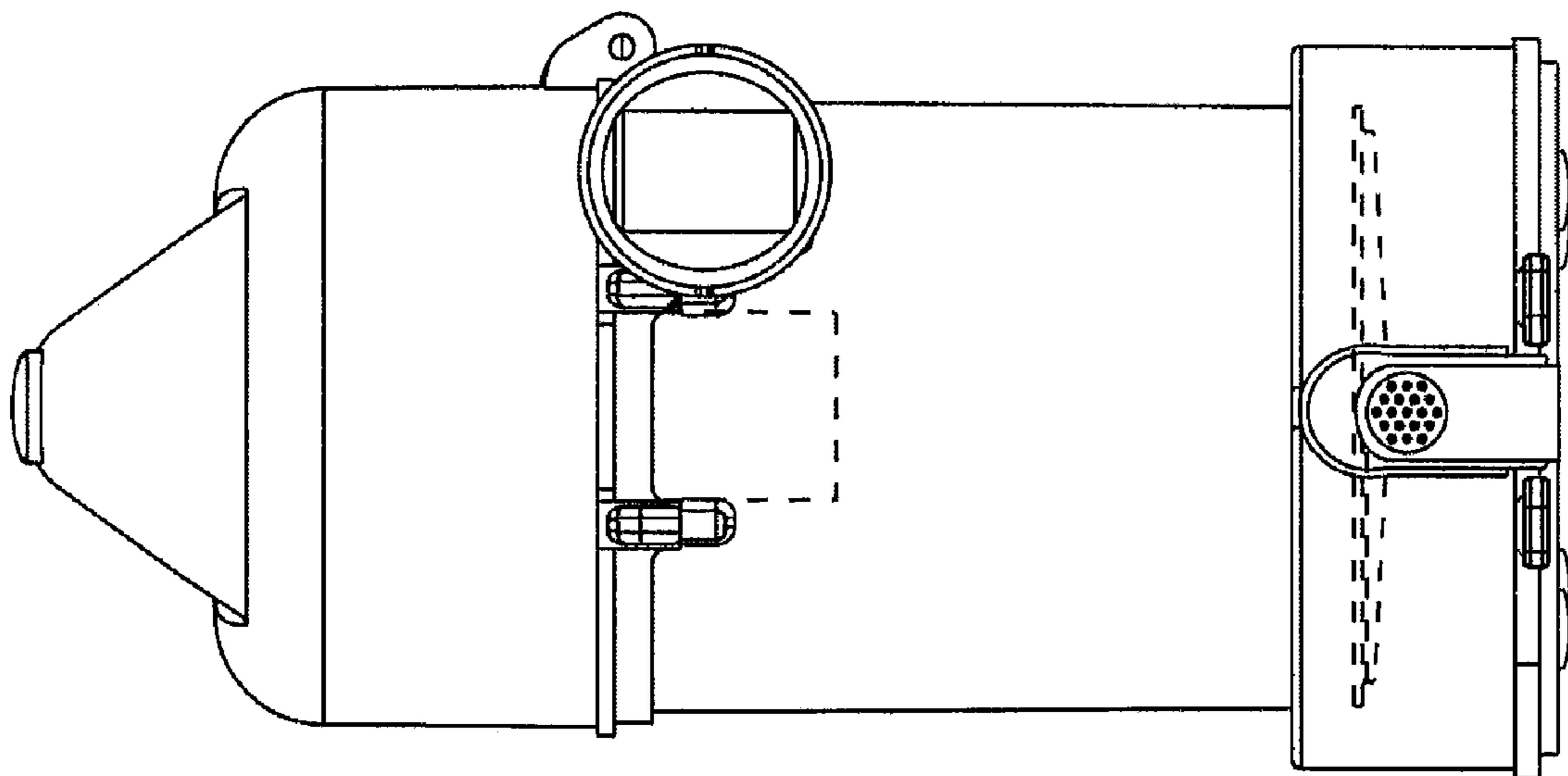


Fig 7.