



US00D585606S

(12) **United States Design Patent**  
**Kennedy**

(10) **Patent No.:** **US D585,606 S**  
(45) **Date of Patent:** **\*\* Jan. 27, 2009**

(54) **CANINE BACKPACK**

(76) Inventor: **Timothy Travis Kennedy**, 8191  
Hudson, Vancouver, BC (CA) V5P 4M2

(\*\*) Term: **14 Years**

(21) Appl. No.: **29/302,584**

(22) Filed: **Jan. 18, 2008**

(51) **LOC (9) Cl.** ..... **30-04**

(52) **U.S. Cl.** ..... **D30/152; D30/144; D30/145;**  
**D30/152**

(58) **Field of Classification Search** ..... **D30/152,**  
**D30/144, 151, 153, 154, 145; 119/702, 712,**  
**119/792-798, 758, 760, 769, 770, 784, 815,**  
**119/818, 856, 863, 864, 905, 907, 802, 857,**  
**119/865, 725, 771; D21/805, 804; D3/217,**  
**D3/327, 271.2; D29/101.1, 101.5, 101.3;**  
**D24/190; D34/28; 54/71**

See application file for complete search history.

(56) **References Cited**

**U.S. PATENT DOCUMENTS**

D228,926 S *	10/1973	Bennett	.....	D30/145
D363,572 S *	10/1995	Obenchain	.....	D30/145
5,632,235 A *	5/1997	Larsen et al.	.....	119/856
5,887,772 A *	3/1999	Dooley	.....	224/191
5,941,199 A *	8/1999	Tamura	.....	119/850
D429,390 S *	8/2000	Grady et al.	.....	D30/152
D429,391 S *	8/2000	Grady et al.	.....	D30/152

6,827,044 B2 *	12/2004	Lobanoff et al.	.....	119/771
2005/0072376 A1 *	4/2005	Kerrigan	.....	119/850
2005/0217609 A1 *	10/2005	Dorton et al.	.....	119/792

\* cited by examiner

*Primary Examiner*—Pamela J Burgess

*Assistant Examiner*—Susan Moon Lee

(74) *Attorney, Agent, or Firm*—Quick Patents, Inc.; Kevin Prince

(57) **CLAIM**

I claim the ornamental design for a canine backpack, as shown and described.

**DESCRIPTION**

FIG. 1 is a perspective view of a canine backpack, showing my new design;

FIG. 2 is a front elevational view of the invention;

FIG. 3 is a rear elevational view of the invention;

FIG. 4 is a left-side elevational view of the invention;

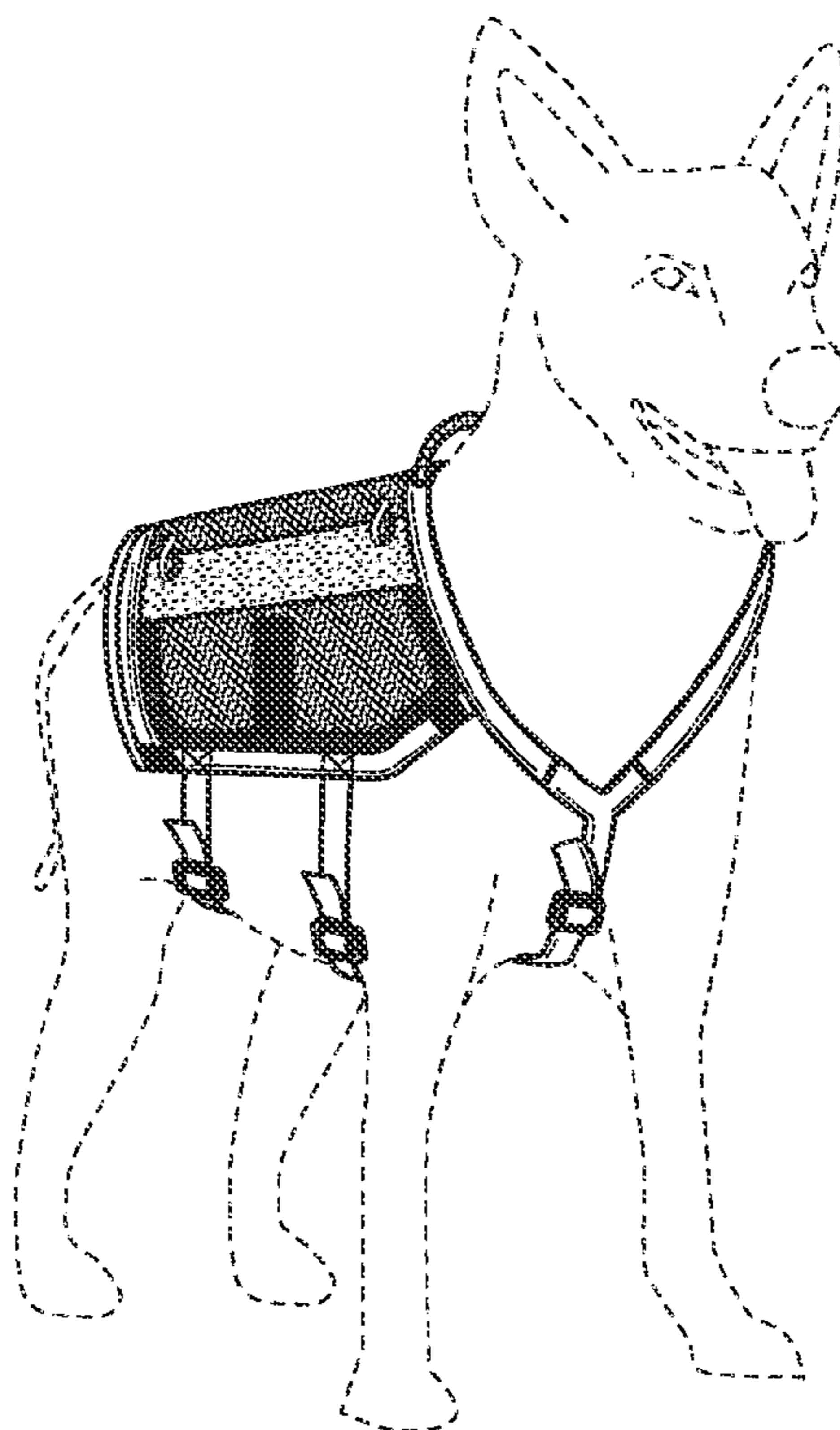
FIG. 5 is a right-side elevational view of the invention;

FIG. 6 is a top plan view of the invention; and,

FIG. 7 is a bottom plan view of the invention.

The broken lines showing a canine in FIG. 1 are included for the purpose of illustrating the invention in use, and form no part of the claimed design.

**1 Claim, 2 Drawing Sheets**



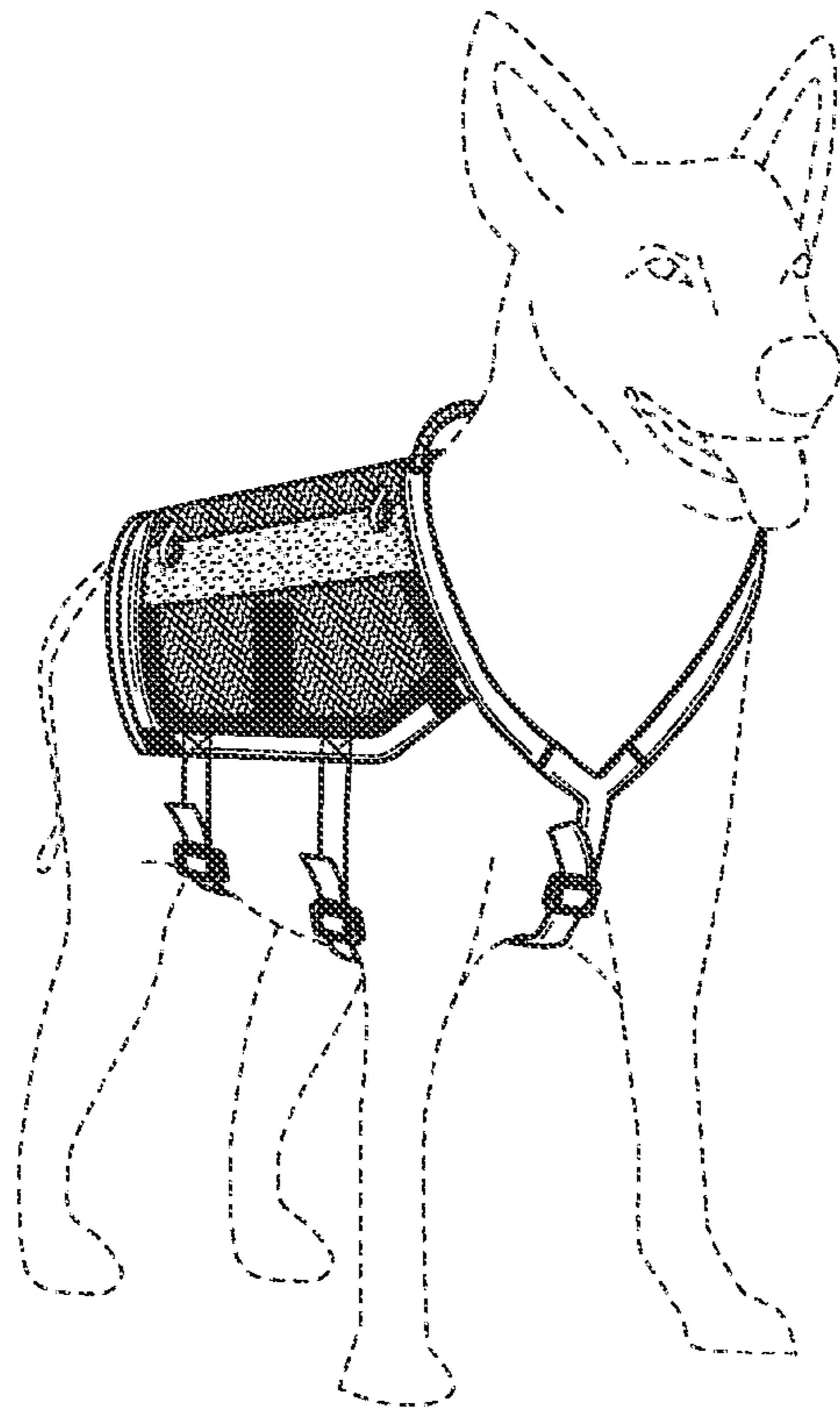


FIG. 1

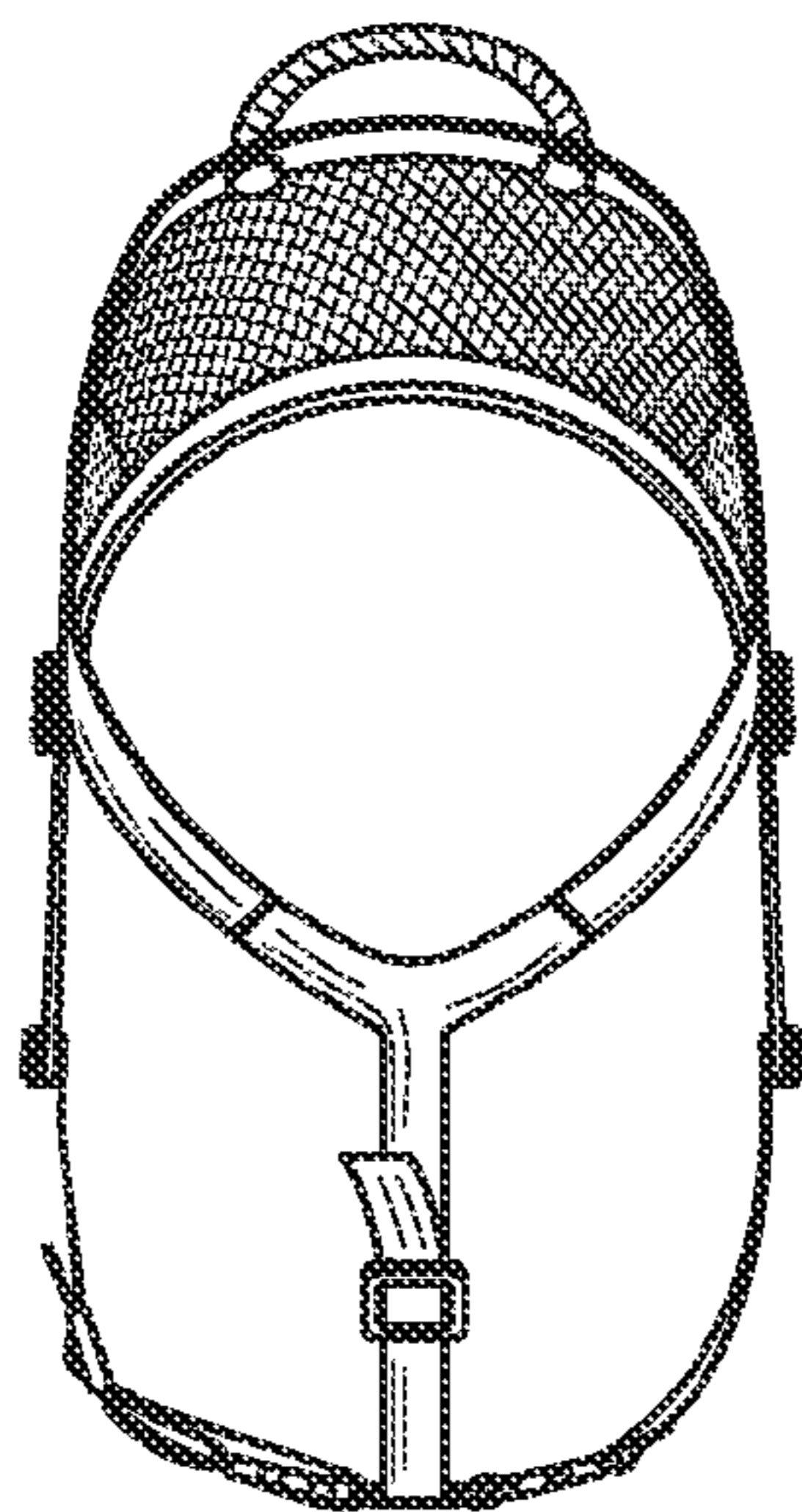


FIG. 2

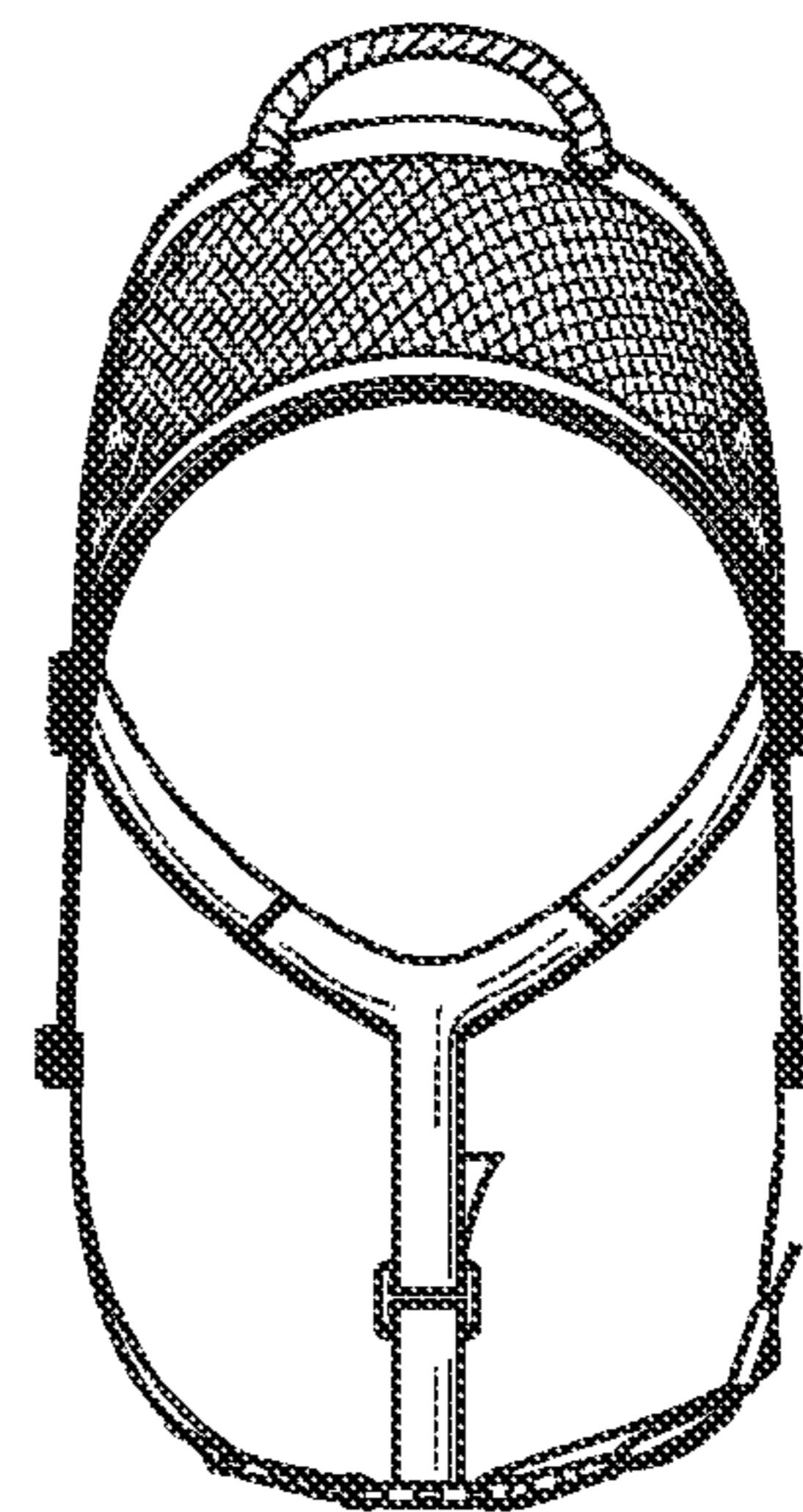


FIG. 3

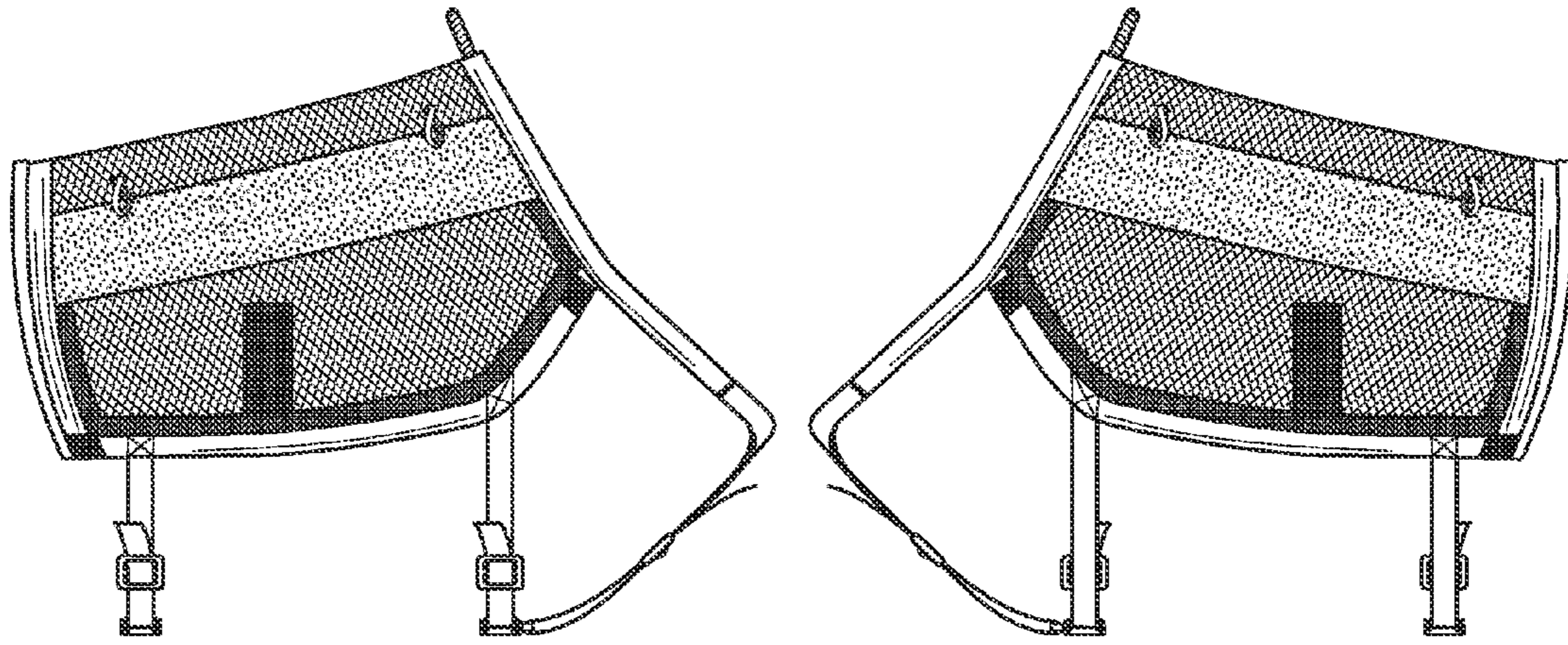


FIG. 4

FIG. 5

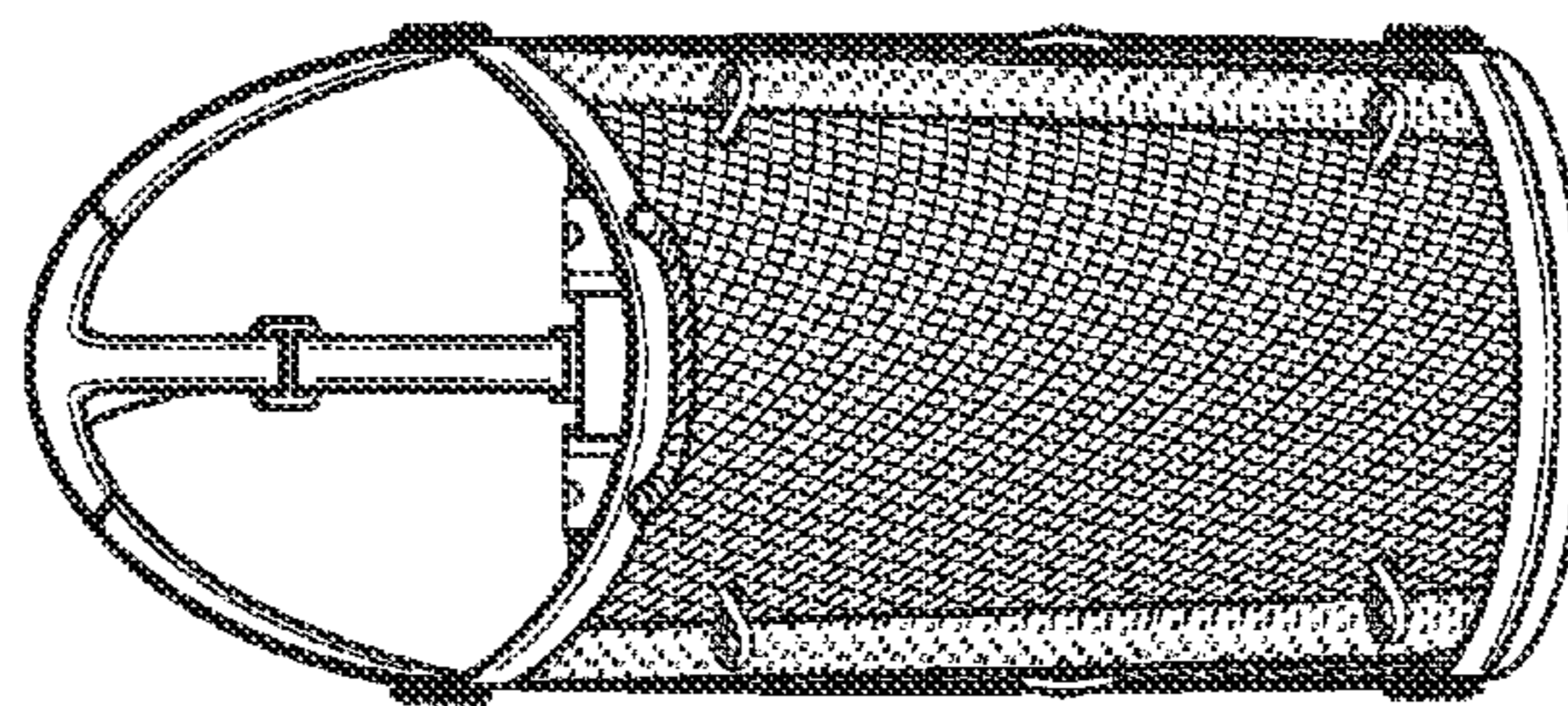


FIG. 6

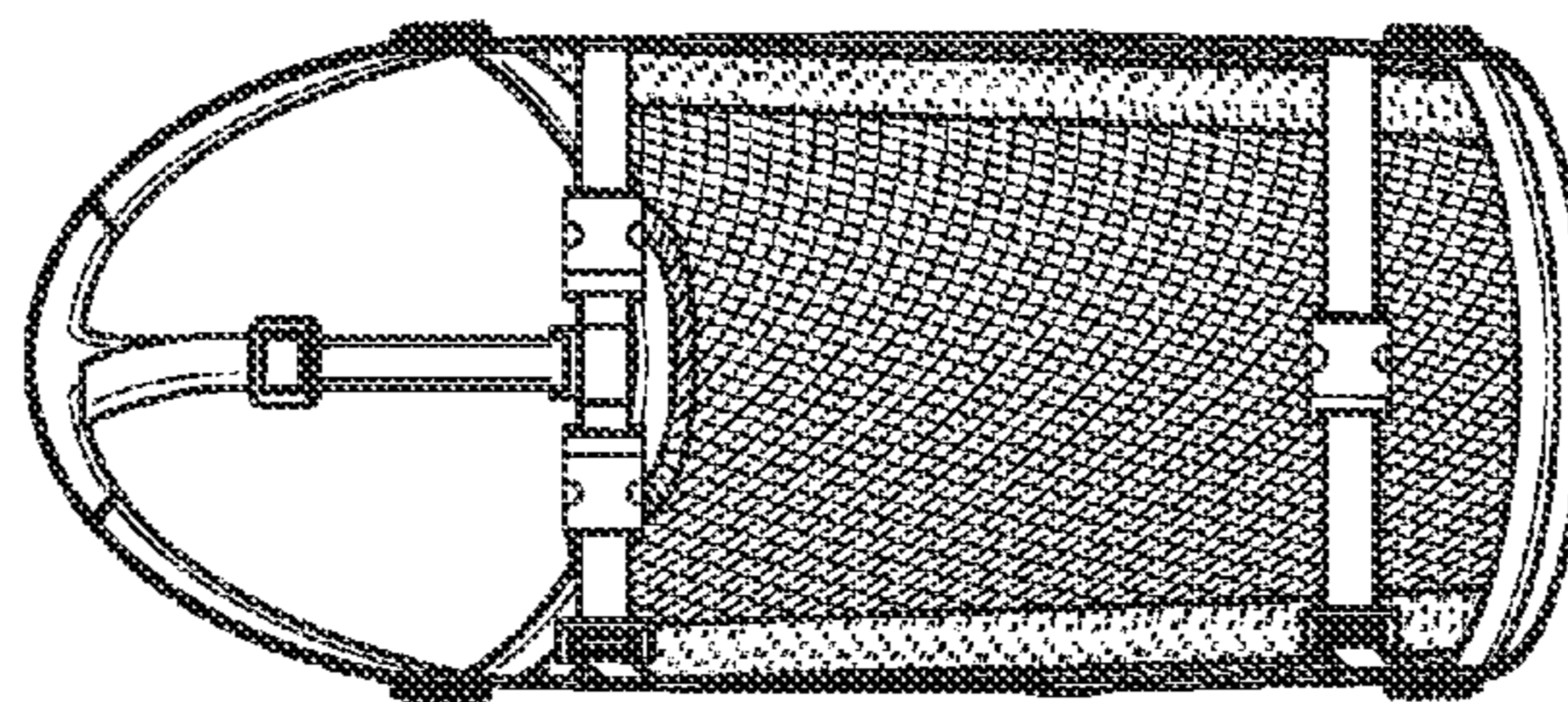


FIG. 7