



US00D585602S

(12) **United States Design Patent**  
**Thorpe et al.**

(10) **Patent No.:** **US D585,602 S**  
(45) **Date of Patent:** **\*\* Jan. 27, 2009**

(54) **CUSTOMIZABLE COMPACT FOR INDIVIDUAL REFILL**

(76) Inventors: **Chris Thorpe**, 6 Apple La., Califon, NJ (US) 07830; **Anthony de Marco**, 10 Fawn Hill Dr., Mahwah, NJ (US) 07430

(\*\*) Term: **14 Years**

(21) Appl. No.: **29/296,125**

(22) Filed: **Oct. 15, 2007**

(51) **LOC (9) Cl.** ..... **28-03**

(52) **U.S. Cl.** ..... **D28/83; D28/84**

(58) **Field of Classification Search** ..... **D28/76-84; 132/286-288, 293-307, 312-318; 206/581, 206/823**

See application file for complete search history.

(56) **References Cited**

**U.S. PATENT DOCUMENTS**

D316,763 S \* 5/1991 Ferrari ..... D28/83  
2007/0235056 A1 \* 10/2007 Vintimiglia et al. .... 132/294

\* cited by examiner

*Primary Examiner*—Jennifer Rivard

(74) *Attorney, Agent, or Firm*—Lee & Hayes, PLLC

(57) **CLAIM**

The ornamental design for a customizable compact for individual refill, as shown and described.

**DESCRIPTION**

FIG. 1 is a perspective view of an customizable compact for individual refill according to one implementation;

FIG. 2 is a top plan view of the customizable compact for individual refill of FIG. 1;

FIG. 3 is a bottom plan view of the customizable compact for individual refill of FIG. 1;

FIG. 4 is a right side elevation view of the customizable compact for individual refill of FIG. 1;

FIG. 5 is a left side elevation view of the customizable compact for individual refill of FIG. 1;

FIG. 6 is a front elevation view of the customizable compact for individual refill of FIG. 1;

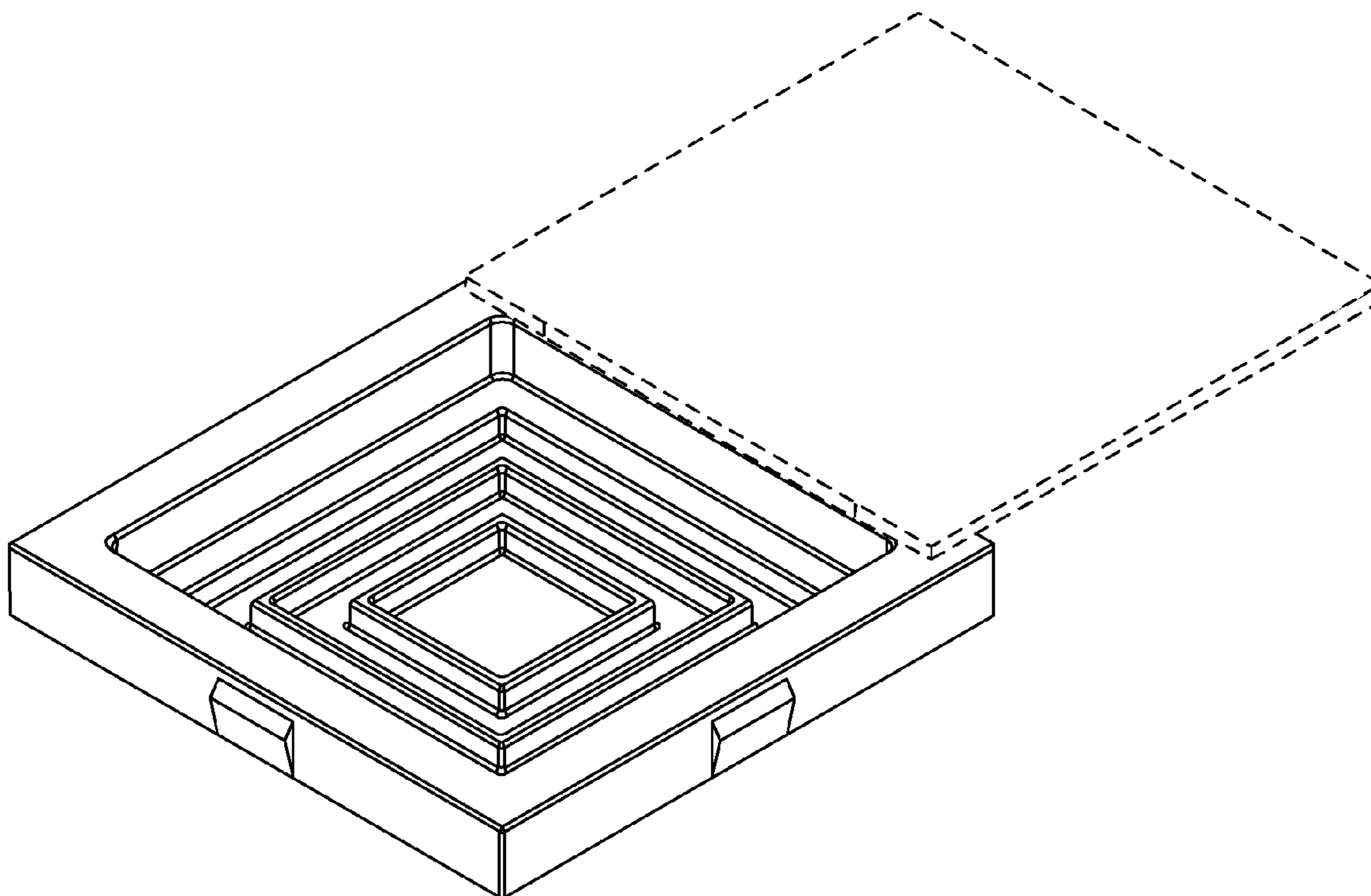
FIG. 7 is a back elevation view of the customizable compact for individual refill of FIG. 1; and,

FIG. 8 is a perspective view of an customizable compact for individual refill according to the implementation of FIG. 1 with a cover shown in broken lines for context.

The broken lines are directed to environment and are for illustrative purposes only.

The broken lines form no part of the claimed design.

**1 Claim, 5 Drawing Sheets**



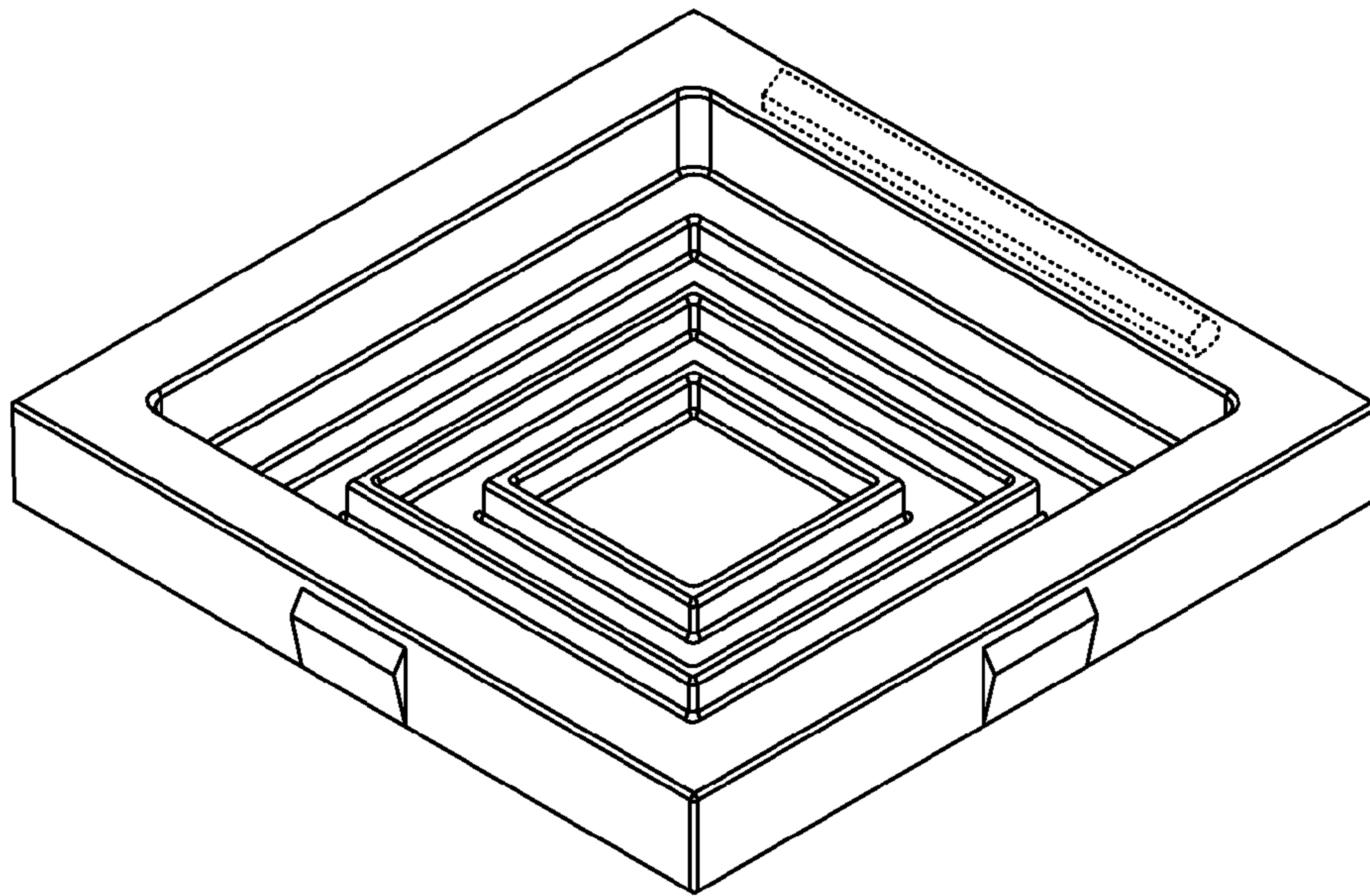


FIG. 1

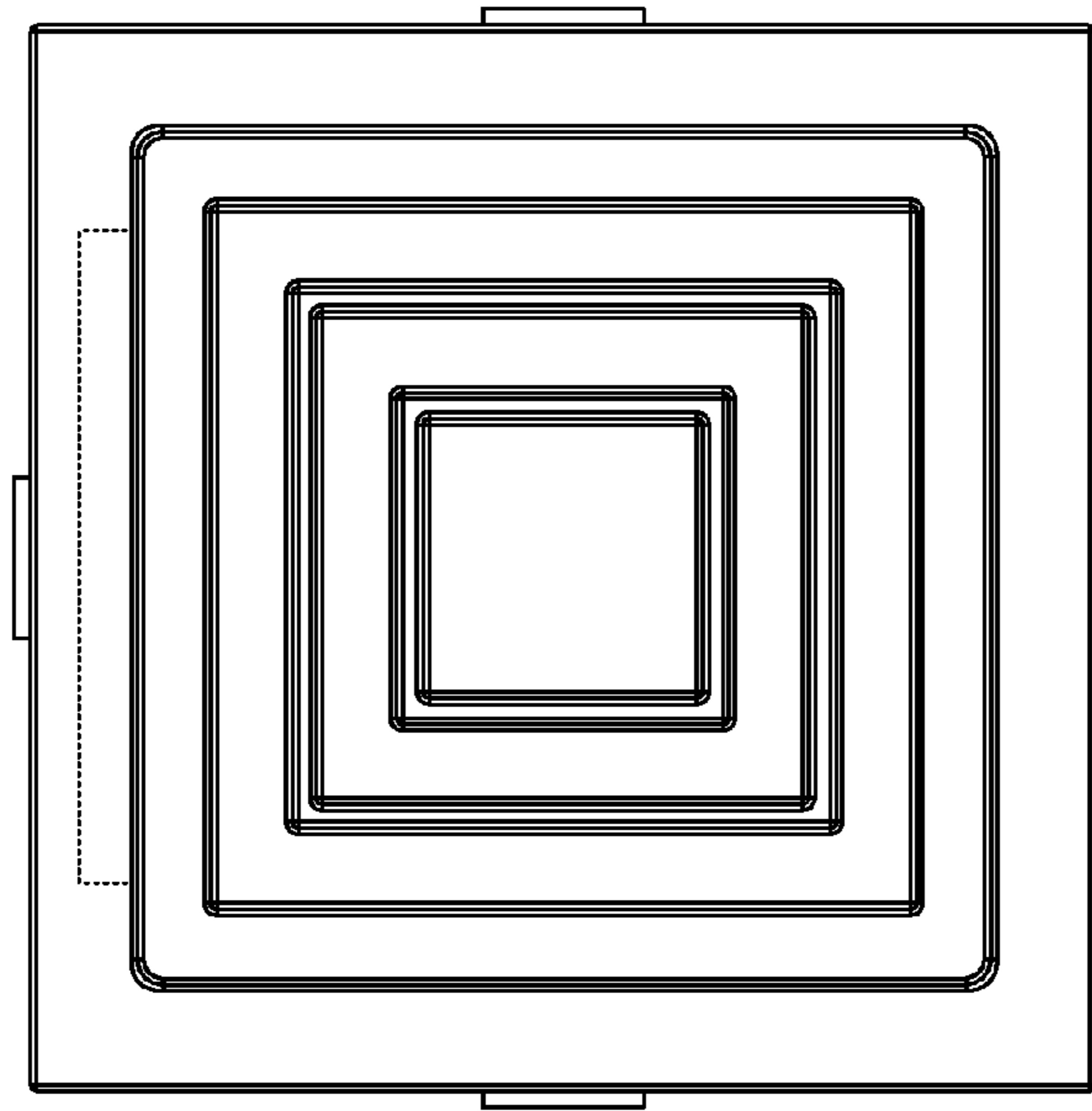


FIG. 2

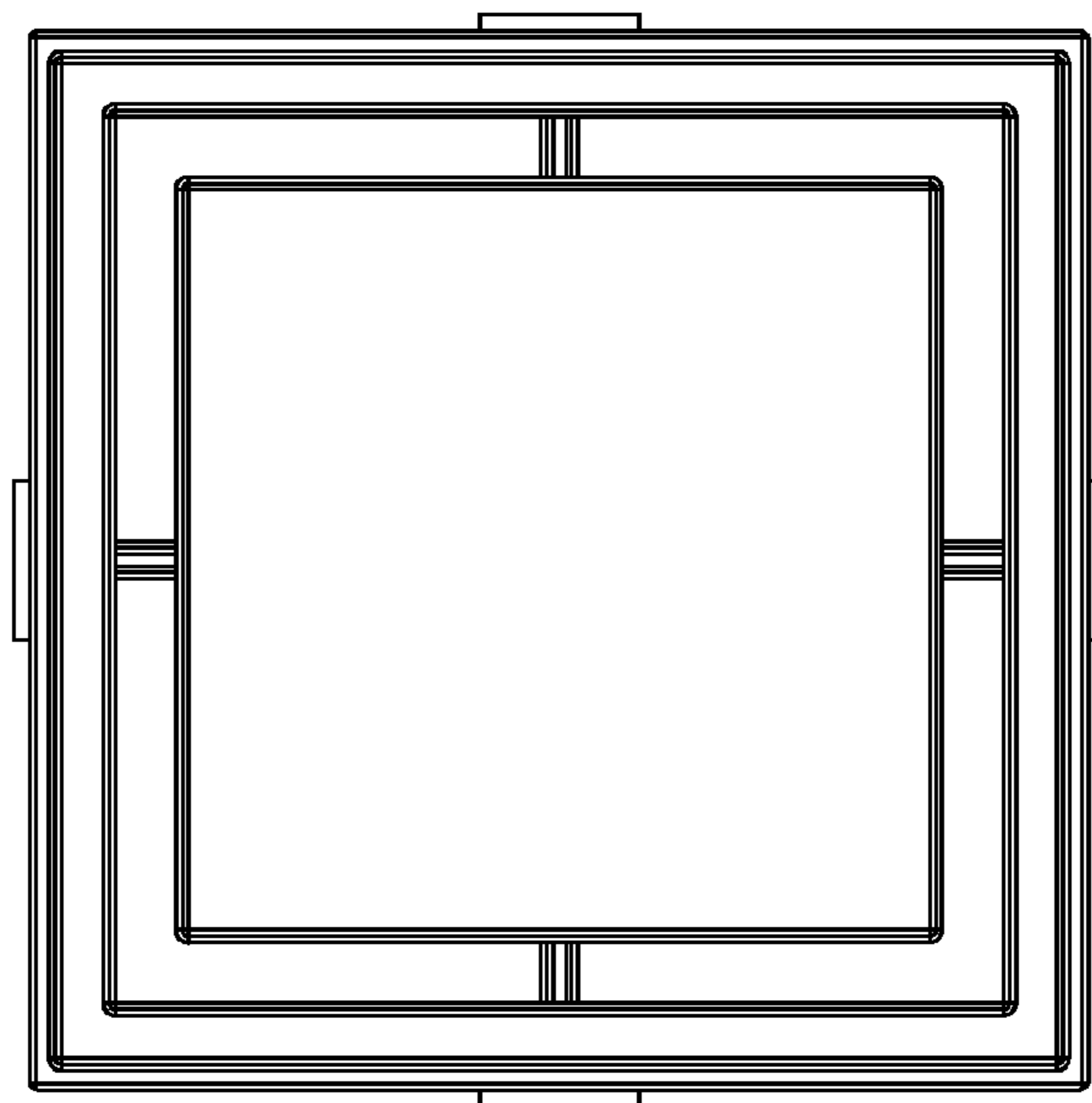


FIG. 3

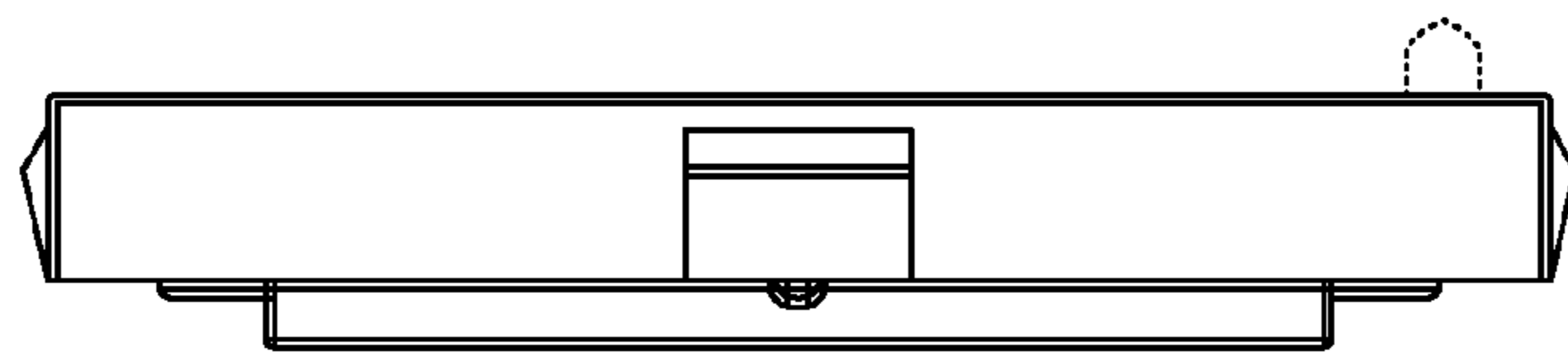


FIG. 4

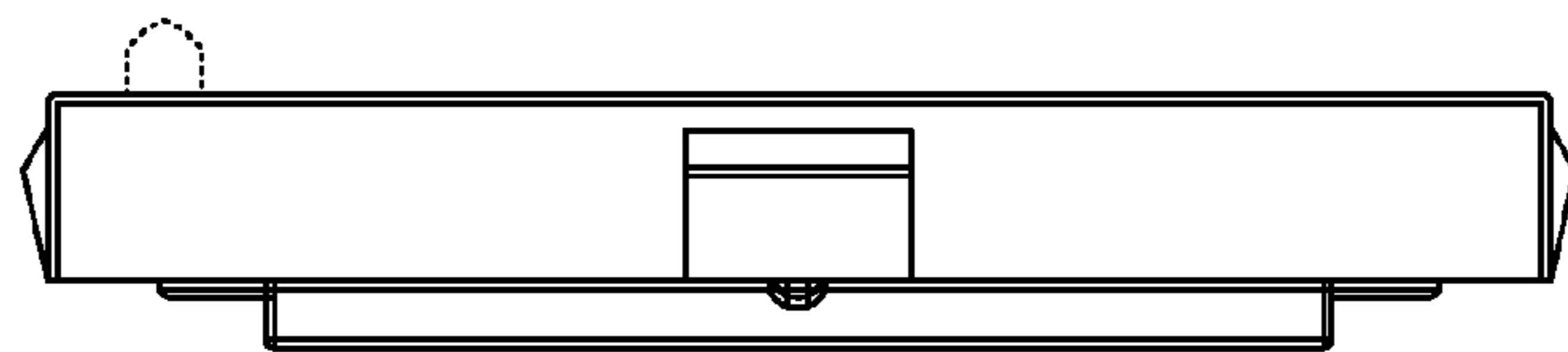


FIG. 5

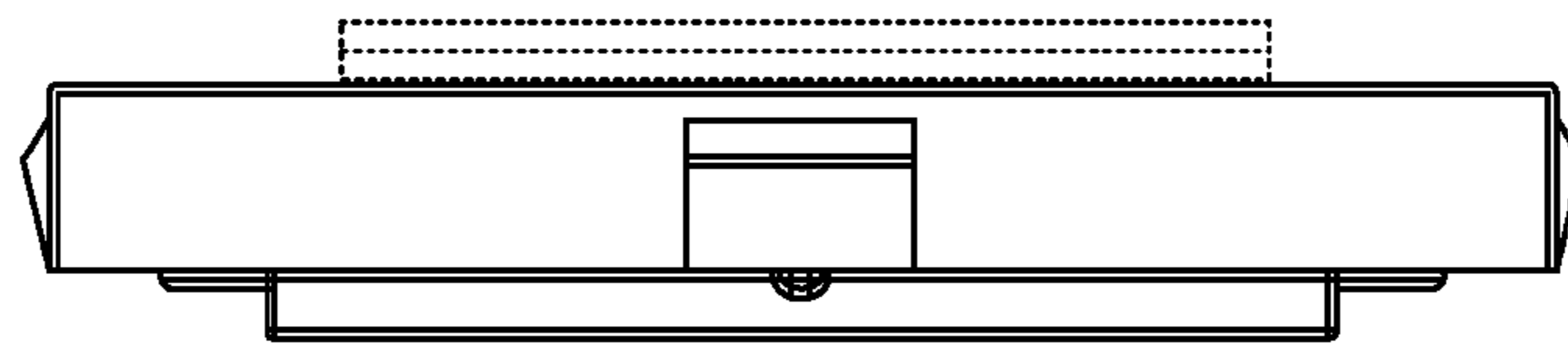


FIG. 6

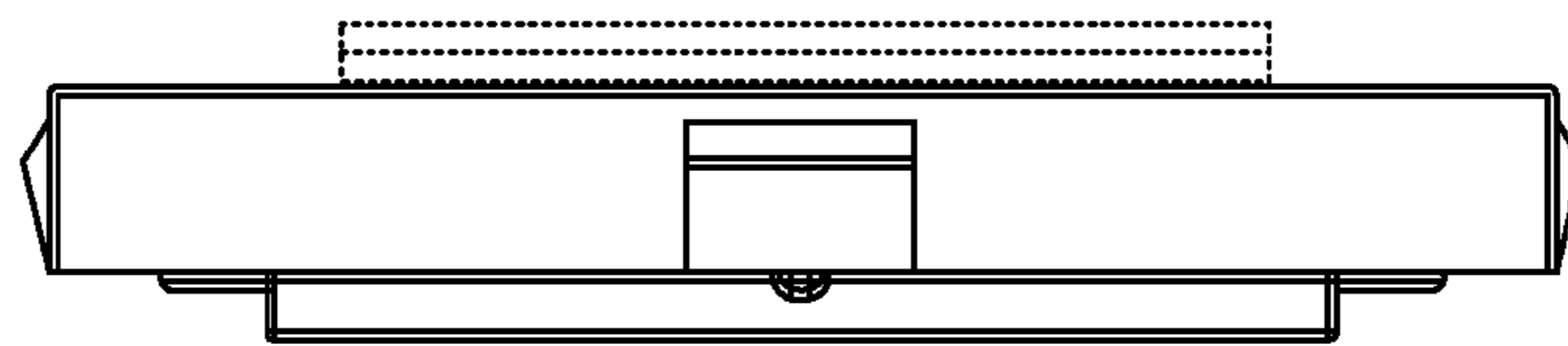


FIG. 7

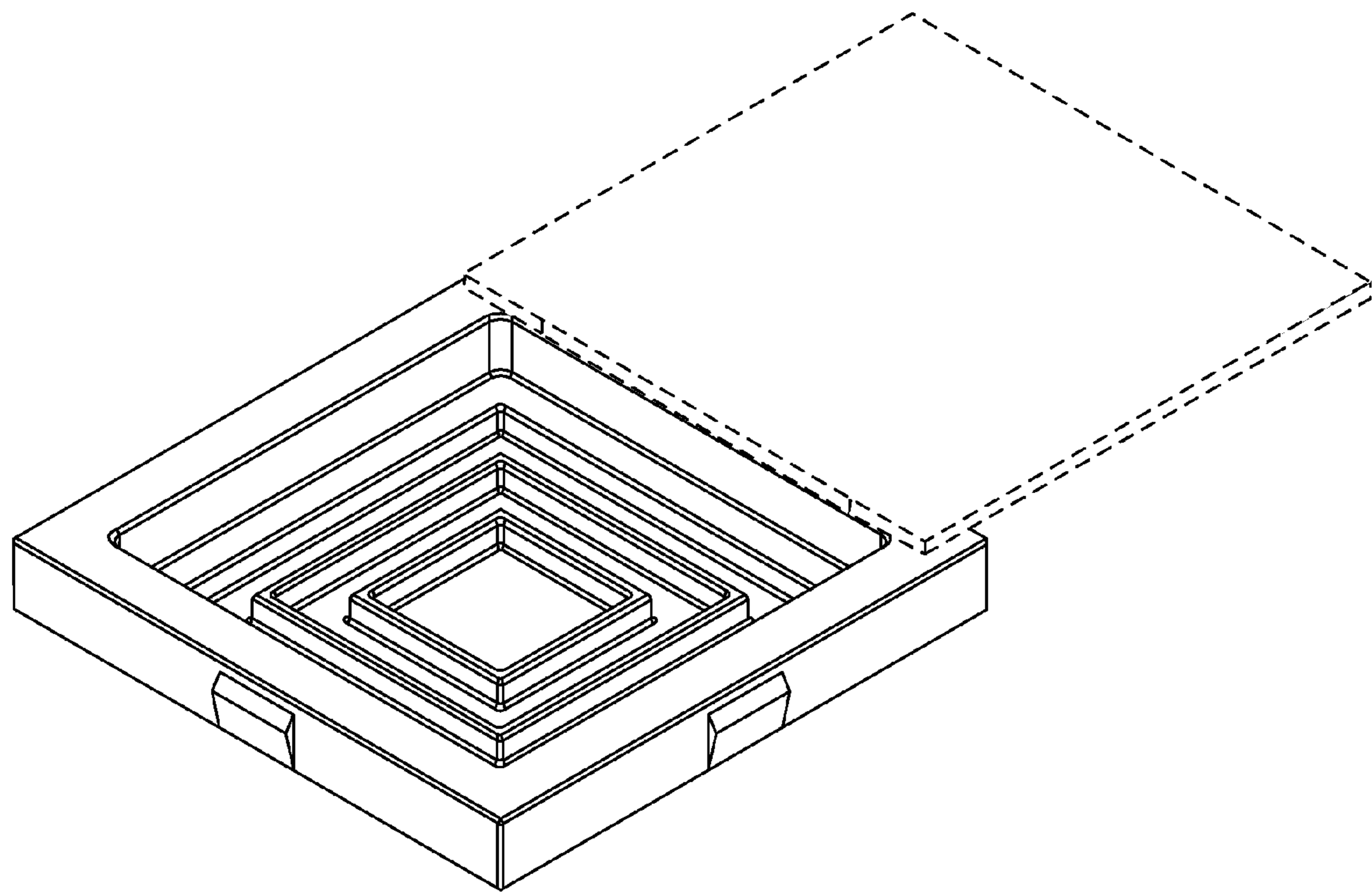


FIG. 8