

US00D585591S

(12) **United States Design Patent**  
**Nicholas**

(10) **Patent No.:** **US D585,591 S**  
(45) **Date of Patent:** **\*\* Jan. 27, 2009**

(54) **LIGHTING FIXTURE**

(75) Inventor: **Kenneth J. Nicholas**, Parma, OH (US)

(73) Assignee: **The L.D. Kichler Co.**, Cleveland, OH (US)

(\*\*) Term: **14 Years**

(21) Appl. No.: **29/283,466**

(22) Filed: **Aug. 15, 2007**

**Related U.S. Application Data**

(63) Continuation of application No. 29/221,429, filed on Jan. 14, 2005, now Pat. No. Des. 550,886.

(51) **LOC (9) Cl.** ..... **26-99**

(52) **U.S. Cl.** ..... **D26/144**

(58) **Field of Classification Search** ..... D26/80-86,  
D26/88, 90, 91, 134; 362/147, 404-408,  
362/432, 806

See application file for complete search history.

(56) **References Cited**

**U.S. PATENT DOCUMENTS**

D372,551 S	8/1996	Dolan	
D381,108 S *	7/1997	Hsu	D26/84
D430,689 S	9/2000	Chiang	
D430,691 S	9/2000	Von Kluck	
D476,770 S *	7/2003	Brunner	D26/86
D481,150 S	10/2003	Lee	
D481,151 S	10/2003	Brunner	
D489,474 S *	5/2004	Brunner	D26/84
D498,870 S	11/2004	Parres	
D499,507 S	12/2004	Parres	
D514,727 S	2/2006	Chen	
D514,728 S	2/2006	Chen	
D521,175 S	5/2006	Dolan	
D545,999 S	7/2007	Ke	
D546,498 S	7/2007	Ke	

D550,886 S *	9/2007	Nicholas	D26/81
D553,782 S	10/2007	Nicholas	
D563,026 S	2/2008	Nicholas	
2006/0146548 A1 *	7/2006	Pazula et al.	362/405

**OTHER PUBLICATIONS**

Chandelier No. 10-1252-20, p. 79 of the Hubbardton Forge 2002 Catalog.  
 Olympia Chandelier No. 1679AP, p. 160, Kichler 2004, Catalog No. 104.  
 Notice of Allowance for U.S. Appl. No. 29/221,429, filed Jun. 1, 2007.  
 Notice of Allowance for U.S. Appl. No. 29/221,429, filed Apr. 18, 2007.  
 Office Action for U.S. Appl. No. 29/221,429, filed Feb. 6, 2007.  
 Notice of Allowance for U.S. Appl. No. 29/250,607, filed Jun. 1, 2007.  
 Notice of Allowance for U.S. Appl. No. 29/250,607, filed Apr. 18, 2007.  
 Office Action for U.S. Appl. No. 29/292,839, filed Feb. 7, 2008.  
 Notice of Allowance for U.S. Appl. No. 29/292,839, filed Mar. 25, 2008.

\* cited by examiner

*Primary Examiner*—Clare E Heflin

(74) *Attorney, Agent, or Firm*—Calfee, Halter & Griswold LLP

(57) **CLAIM**

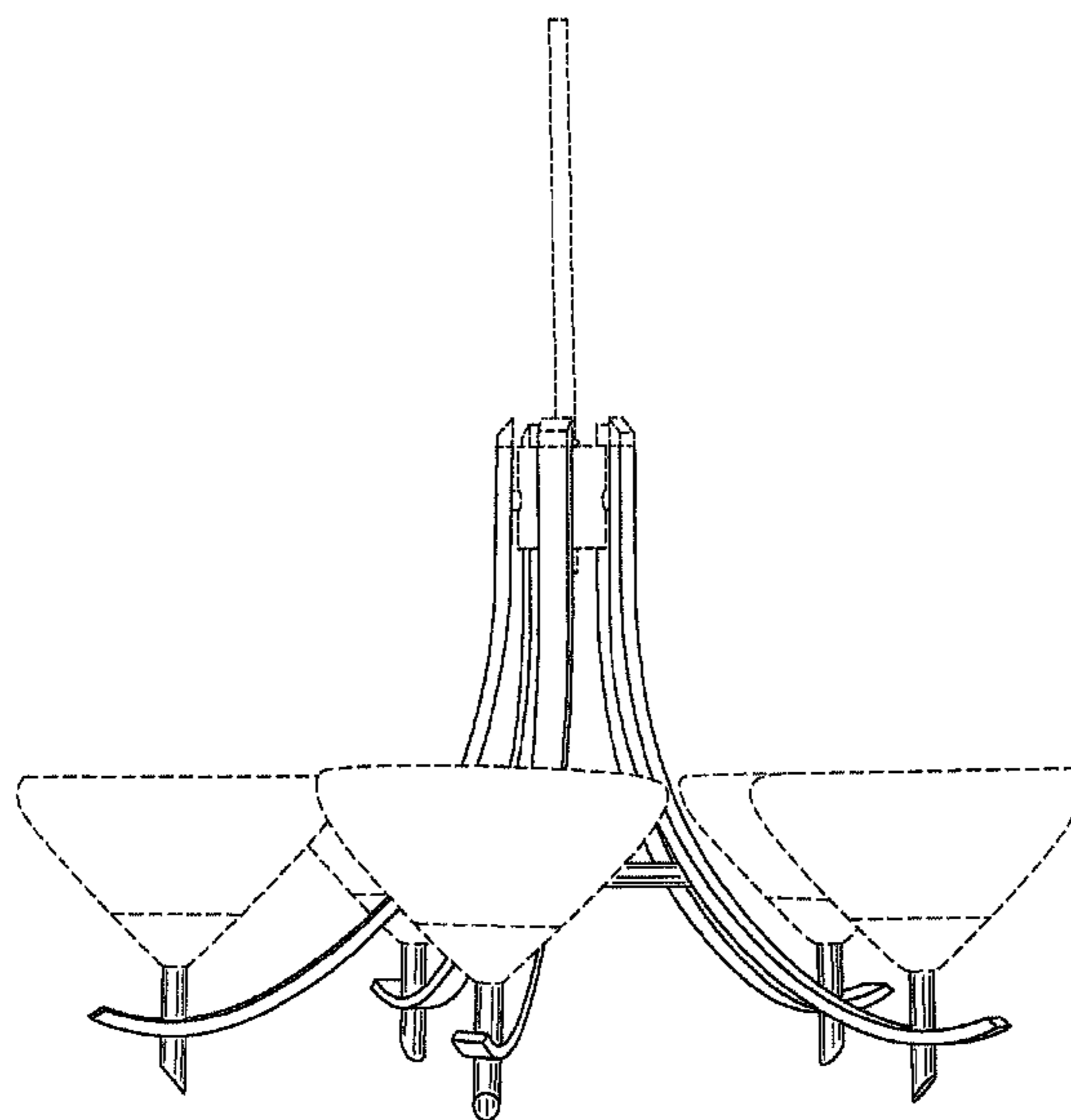
I claim the ornamental design for a lighting fixture, as shown and described.

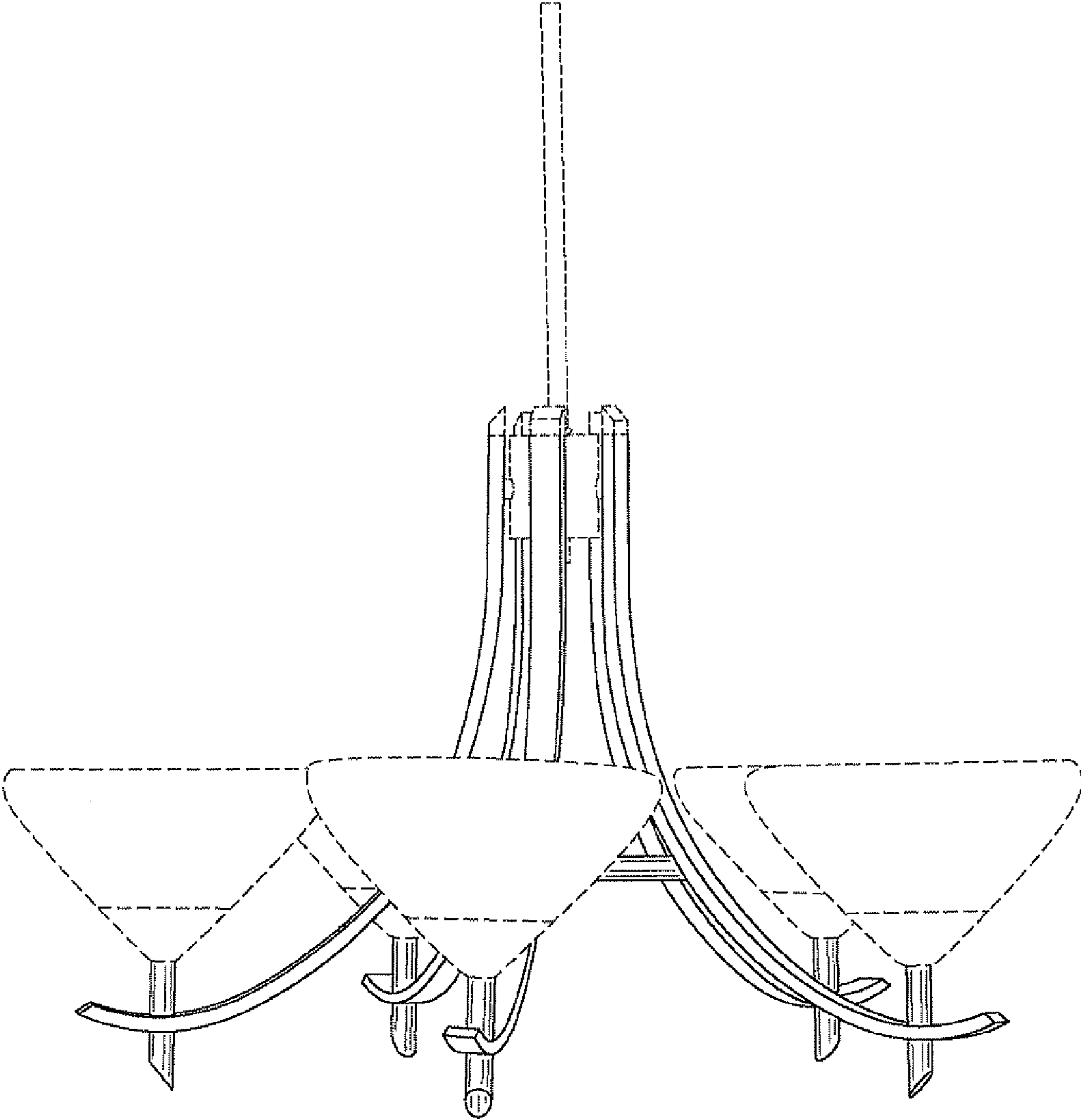
**DESCRIPTION**

The single view is of a light fixture showing my new design, with the fixture having five-way (72°) overall rotational symmetry.

The broken lines shown on the drawing are for illustrative purposes only and form no part of the claimed design.

**1 Claim, 1 Drawing Sheet**





UNITED STATES PATENT AND TRADEMARK OFFICE  
**CERTIFICATE OF CORRECTION**

PATENT NO. : Des. 585,591 S  
APPLICATION NO. : 29/283466  
DATED : January 27, 2009  
INVENTOR(S) : Kenneth J. Nicholas

Page 1 of 1

It is certified that error appears in the above-identified patent and that said Letters Patent is hereby corrected as shown below:

On the Title page of the patent under (\*) Term: 14 years, please insert -- This patent is subject to a terminal disclaimer. --

Signed and Sealed this

Twenty-seventh Day of October, 2009



David J. Kappos  
*Director of the United States Patent and Trademark Office*