



US00D585585S

(12) **United States Design Patent**
Hidalgo

(10) **Patent No.:** **US D585,585 S**

(45) **Date of Patent:** **** Jan. 27, 2009**

(54) **LIGHT FIXTURE**

(75) Inventor: **Rolando Hidalgo**, Yorba Linda, CA (US)

(73) Assignee: **Minka Lighting, Inc.**, Corona, CA (US)

(**) Term: **14 Years**

(21) Appl. No.: **29/319,984**

(22) Filed: **Jun. 18, 2008**

(51) **LOC (9) Cl.** **26-03**

(52) **U.S. Cl.** **D26/89; D26/59**

(58) **Field of Classification Search** D26/59,
D26/72, 86-89; D23/377; 362/147, 404,
362/806

See application file for complete search history.

(56) **References Cited**

U.S. PATENT DOCUMENTS

D49,560 S *	8/1916	Bayley	D26/89
D359,376 S *	6/1995	Tsuji	D26/91
D421,799 S *	3/2000	Zuege	D26/59
D503,490 S *	3/2005	Curtin	D26/89
D503,995 S *	4/2005	Curtin	D26/89
D532,139 S *	11/2006	Shurtleff	D26/59
D546,494 S *	7/2007	Pickett	D26/89
D548,874 S *	8/2007	Curtin	D26/89
D555,271 S *	11/2007	Lee	D26/59

OTHER PUBLICATIONS

All Ceiling-Mount light fixtures shown on p. 137 of the Murray-Feiss 2004 Edition of "The Big Book Catalog".*

Model #558PB 2 Light Ceiling Fixture shown on p. 102 of the Design House Lighting Catalog.*

Model #5080PB 4 Light Ceiling Fixture shown on p. 94 of the Design House Lighting Catalog.*

Monte Carlo Internet Catalog; Grand Isle; Model # 5GIR54RBD; printed from hansenwholesale.com on May 10, 2008.

Ellington Internet Catalog; Riviera; Model # RIV52ABZ5LKRCRD; printed from hansenwholesale.com on May 10, 2008.

Ellington Internet Catalog; Wrought Iron; Model # WRI52ABZ5LKRCRD; printed from hansenwholesale.com on May 10, 2008.

* cited by examiner

Primary Examiner—Clare E Heflin

(74) *Attorney, Agent, or Firm*—Baker & McKenzie LLP

(57) **CLAIM**

The ornamental design for a light fixture, as shown and described.

DESCRIPTION

FIG. 1 is a bottom perspective view of a light fixture in accordance with my design;

FIG. 2 is a plan view of the light fixture in accordance with my design;

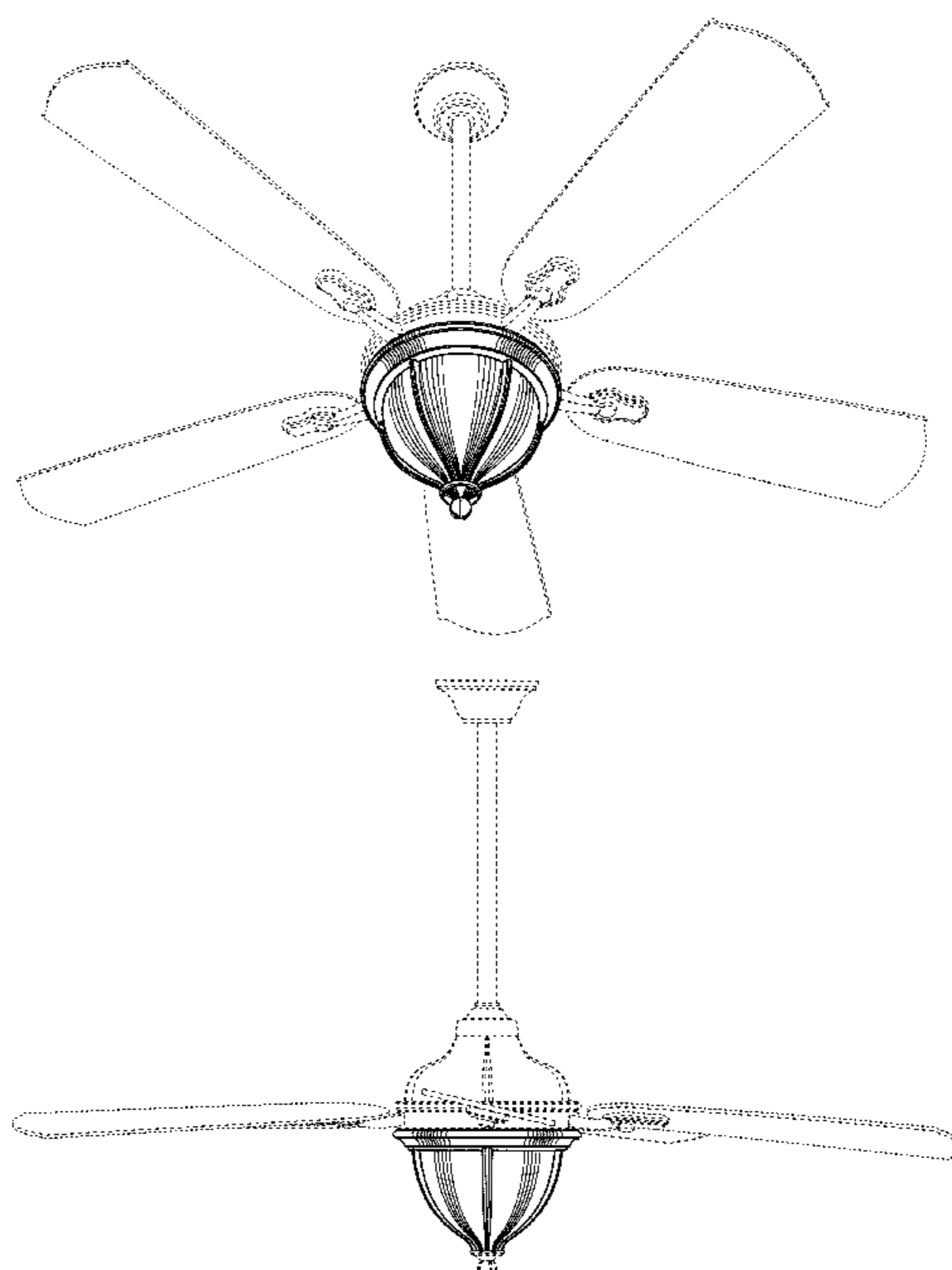
FIG. 3 is a front elevation view of the light fixture in accordance with my design;

FIG. 4 is a back elevation view of the light fixture in accordance with my design; and,

FIG. 5 is a side elevation view of the light fixture in accordance with my design, the opposite side being a mirror image of that shown.

The broken lines showing the environmental structure are for illustrative purposes and form no part of the claimed design.

1 Claim, 5 Drawing Sheets



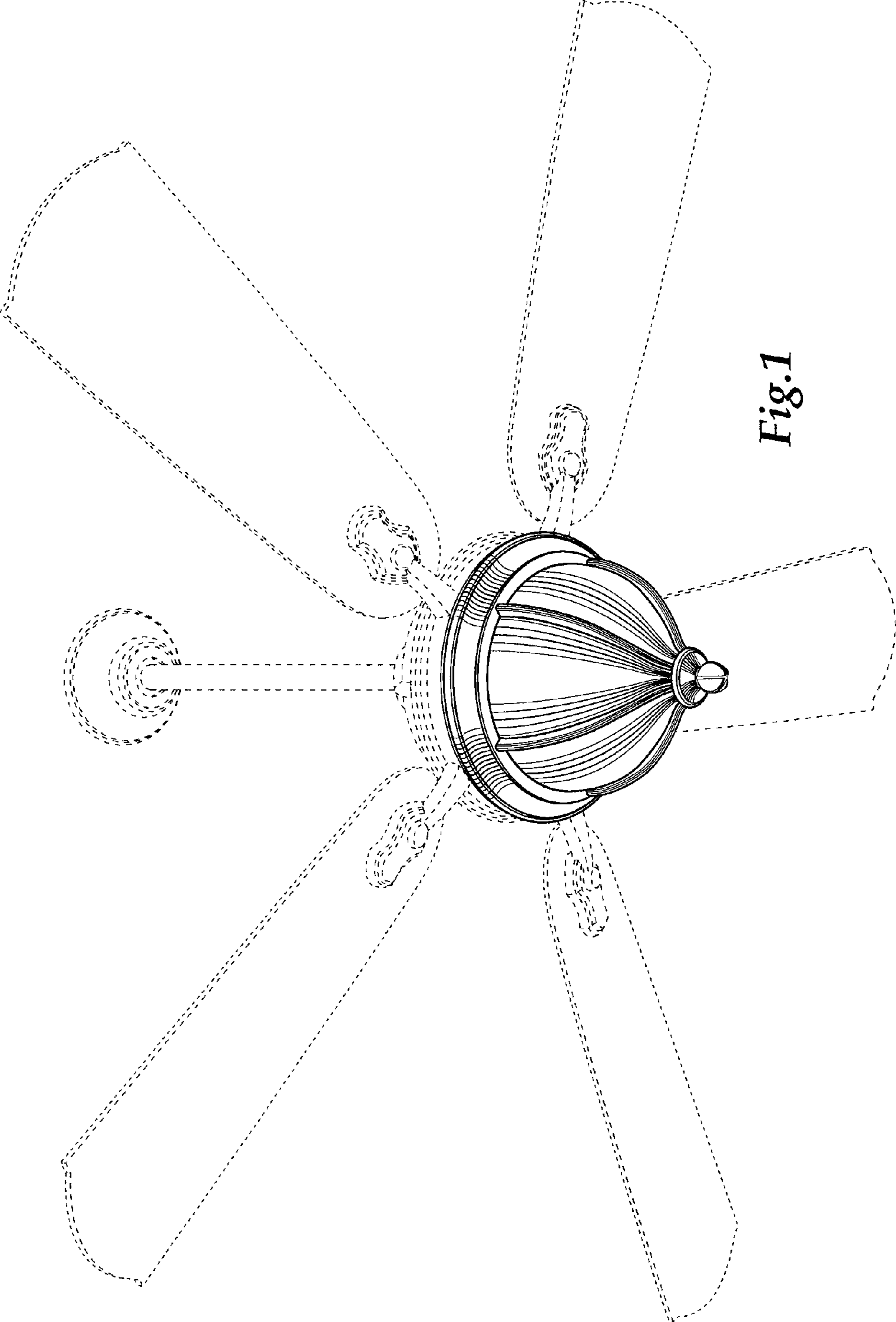


Fig. 1

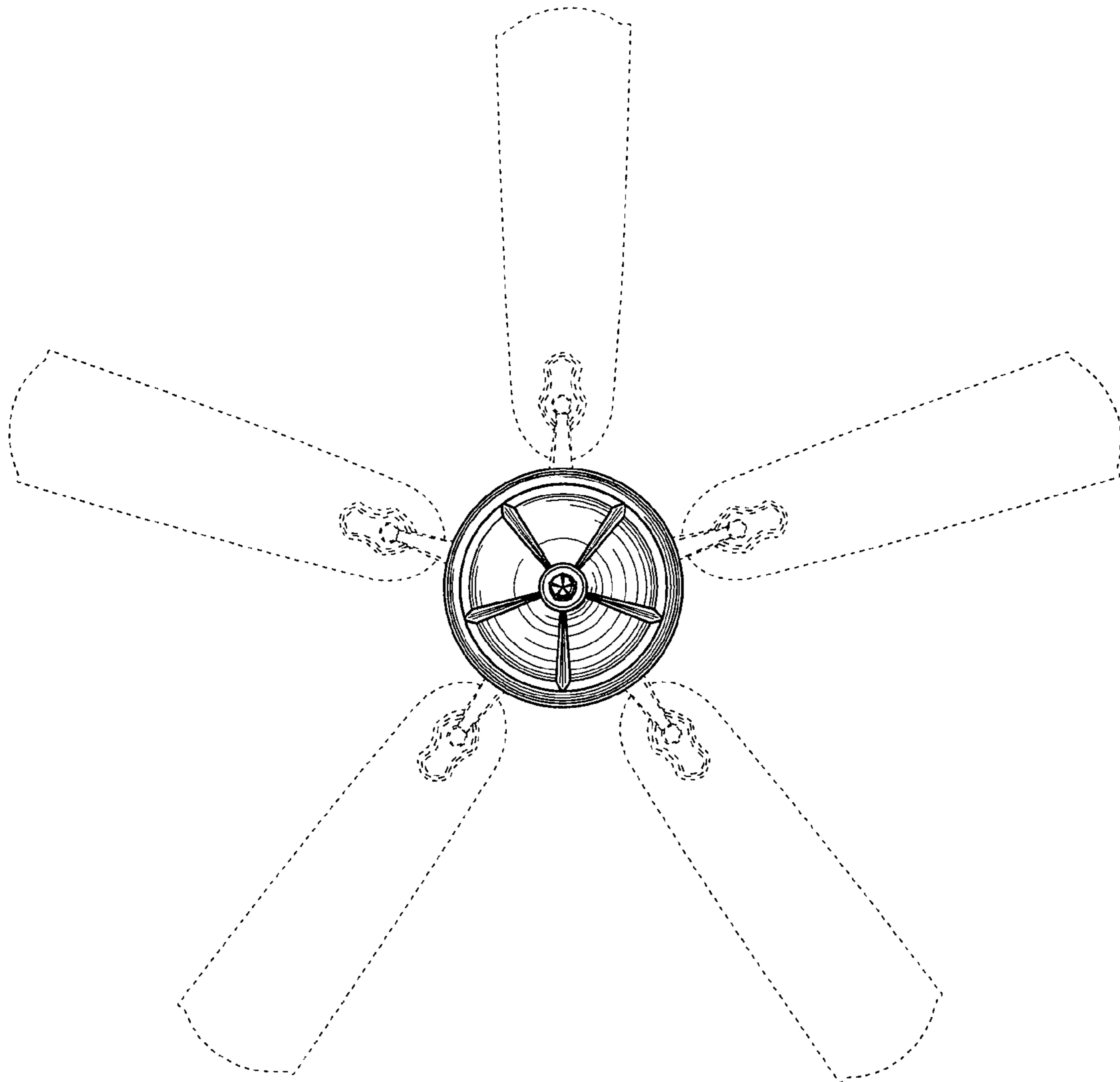


Fig.2

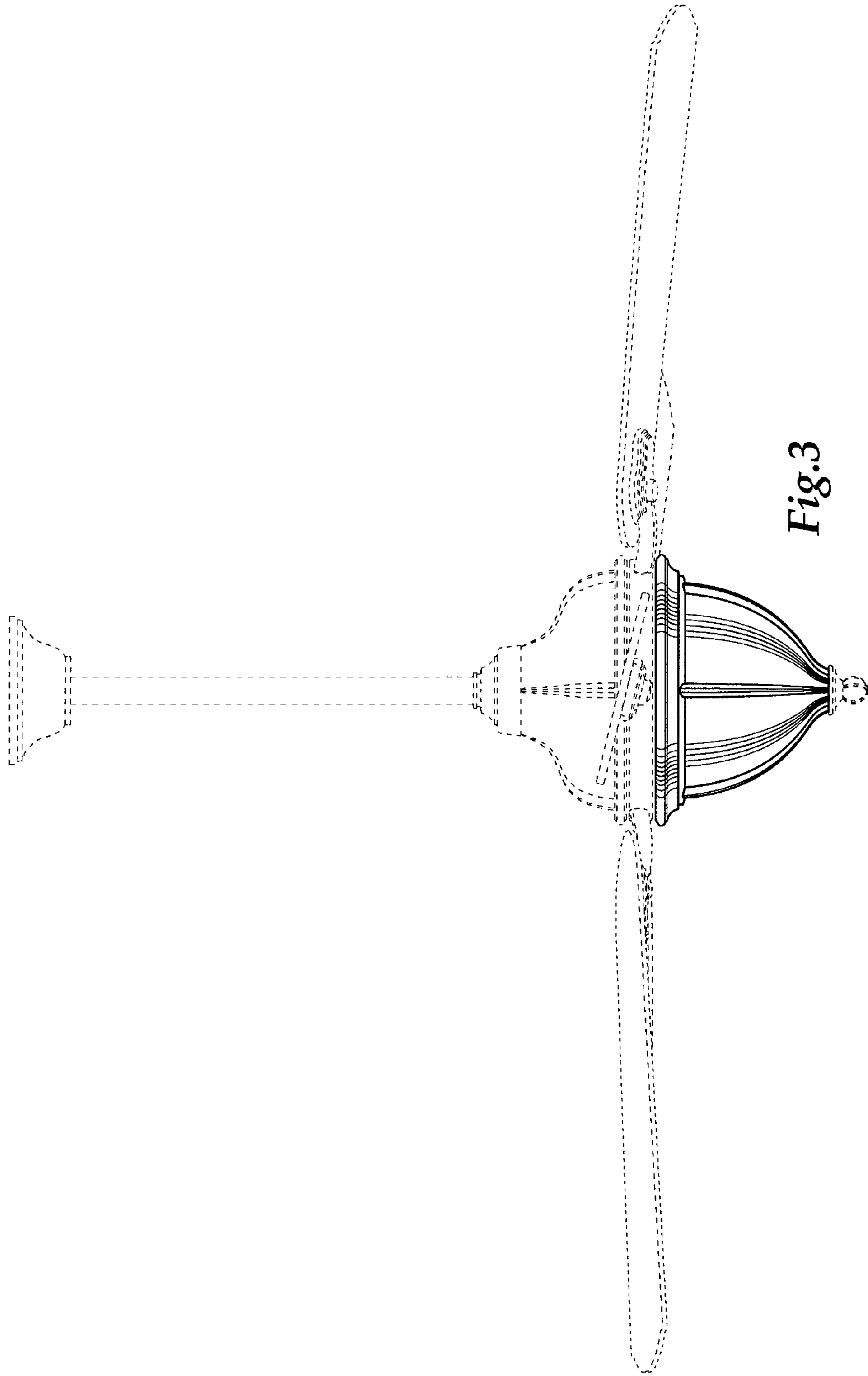


Fig.3

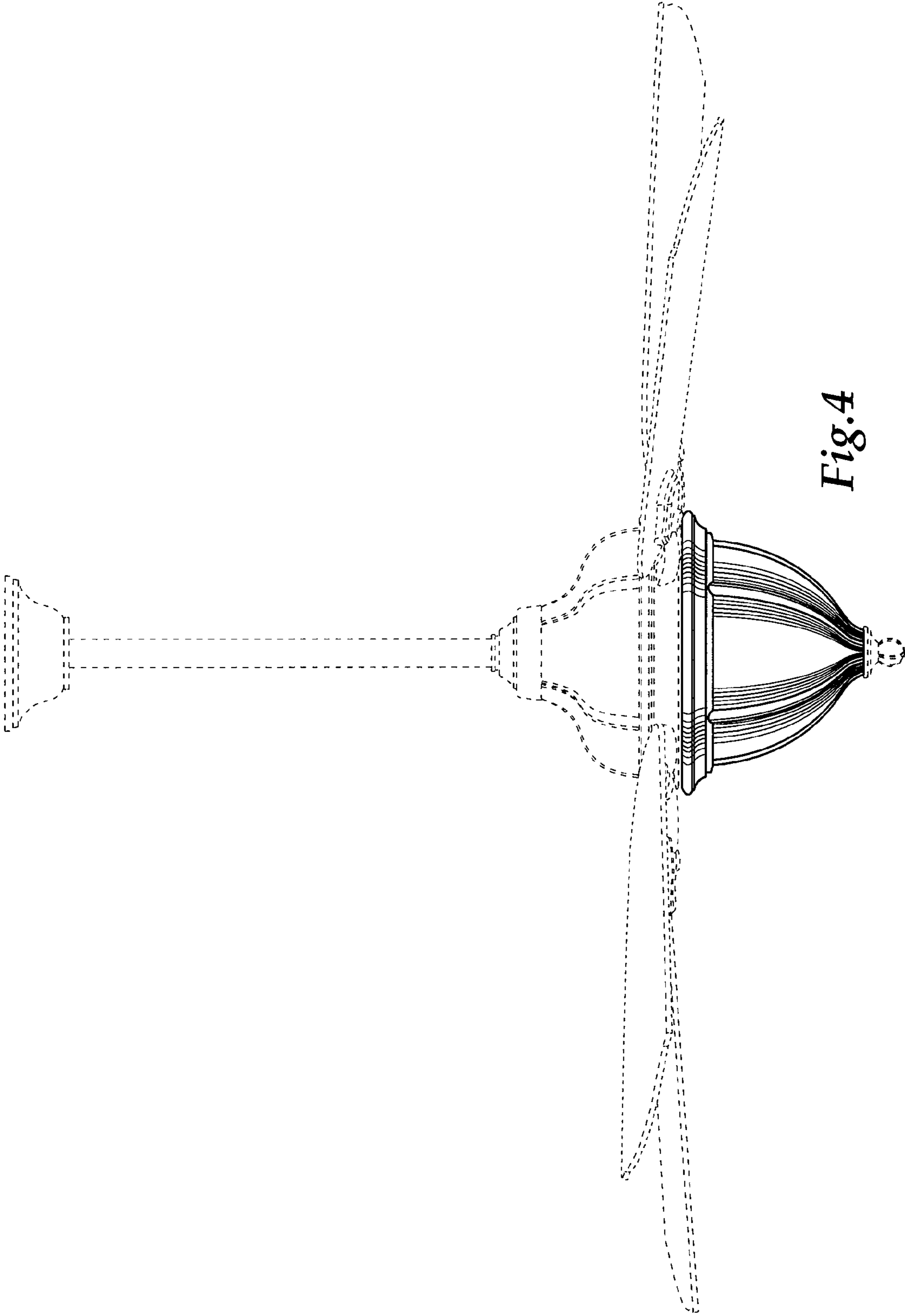


Fig. 4

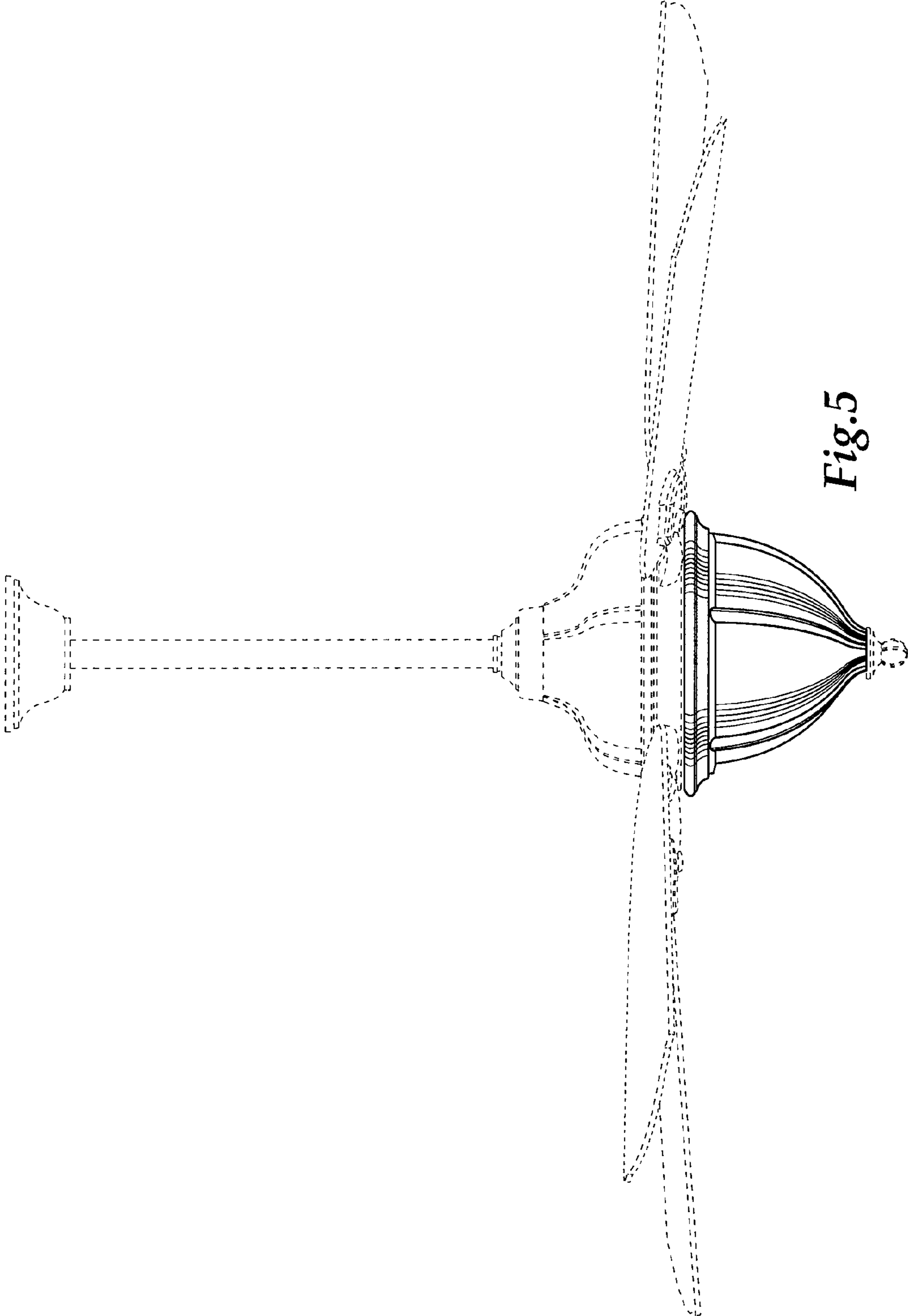


Fig.5