



US00D585583S

(12) **United States Design Patent**
Campbell

(10) **Patent No.:** **US D585,583 S**

(45) **Date of Patent:** **** Jan. 27, 2009**

(54) **PENDANT LIGHT**

(76) **Inventor:** **Louise Campbell**, Studio Louise
Campbell Gothersgade 54, 1123
Copenhagen K. (DK)

(**) **Term:** **14 Years**

(21) **Appl. No.:** **29/299,207**

(22) **Filed:** **Dec. 20, 2007**

(51) **LOC (9) Cl.** **26-03**

(52) **U.S. Cl.** **D26/88; D26/118**

(58) **Field of Classification Search** D26/72,
D26/76, 86, 88, 89, 90, 91, 118, 120; 362/147,
362/404, 440, 442, 450, 452

See application file for complete search history.

(56) **References Cited**

U.S. PATENT DOCUMENTS

1,350,809	A *	8/1920	Jerome	D26/90
D61,515	S *	9/1922	Ansorge	D26/88
D92,538	S *	6/1934	Johnson	D26/135
2,100,078	A *	11/1937	Henningsen	362/354
D150,357	S *	7/1948	Herbster	D26/86
D215,171	S *	9/1969	Meltzer	D26/88
D461,583	S *	8/2002	Hsu	D26/90
D469,562	S *	1/2003	Crasset	D26/90
6,746,137	B1 *	6/2004	Yeh	362/440

6,837,597	B1 *	1/2005	Lin et al.	362/450
D544,637	S *	6/2007	McMinn	D26/118
2004/0027830	A1 *	2/2004	Chen	362/450

* cited by examiner

Primary Examiner—Clare E Heflin

(74) *Attorney, Agent, or Firm*—Cermak Kenealy Vaidya & Nakajima LLP

(57) **CLAIM**

The ornamental design for a pendant light, as shown and described.

DESCRIPTION

FIG. 1 is a perspective view of the pendant light, showing my new design;

FIG. 2 is a first side elevation view of the pendant light;

FIG. 3 is a second side elevation view of the pendant light;

FIG. 4 is a third side elevation view of the pendant light;

FIG. 5 is a fourth side elevation view of the pendant light;

FIG. 6 is a top plan view of the pendant light; and,

FIG. 7 is a bottom plan view of the pendant light.

It will be understood that the dashed lines presented in the drawings are for illustration only, and do not form a part of the claimed design.

1 Claim, 6 Drawing Sheets

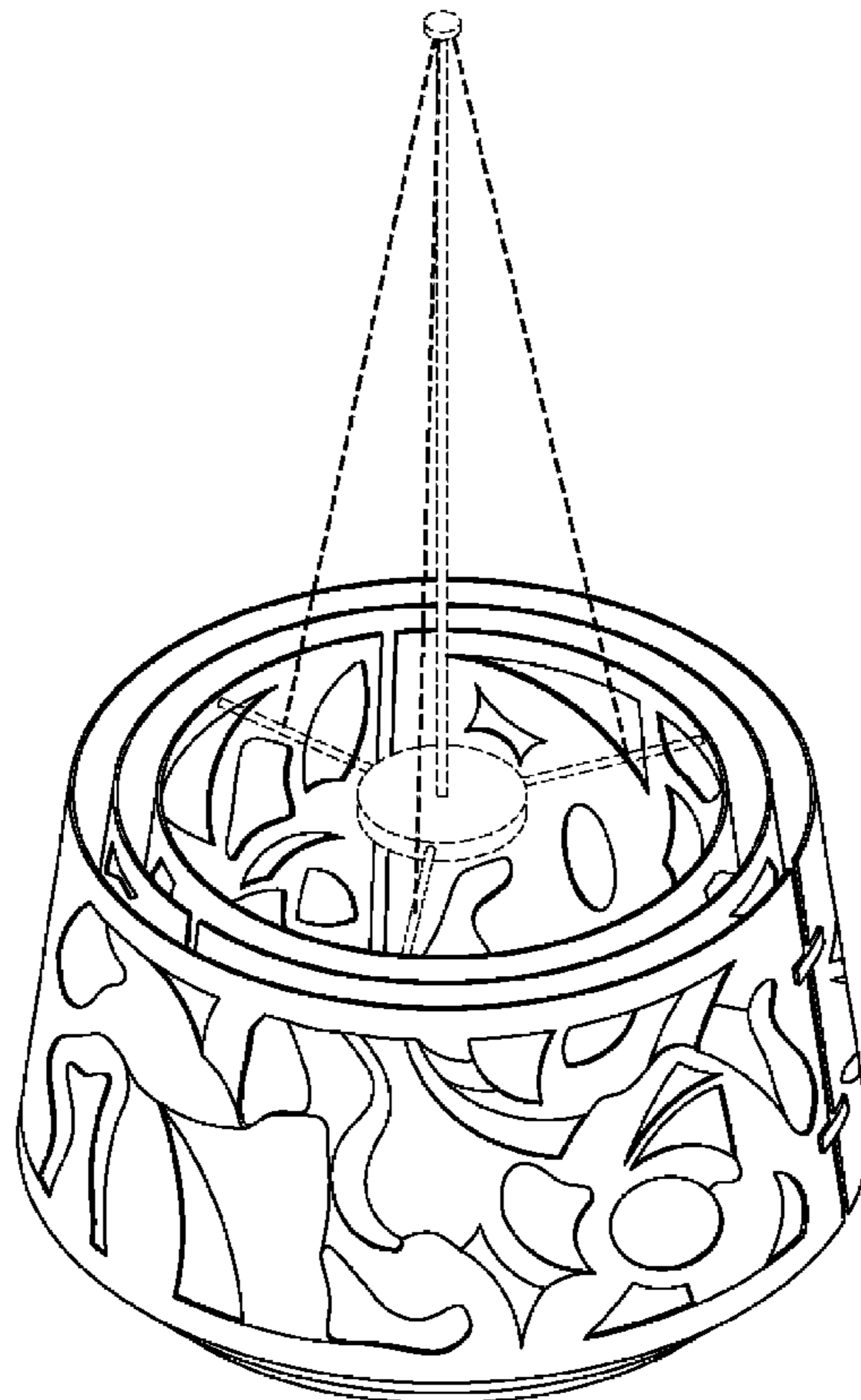


Fig. 1

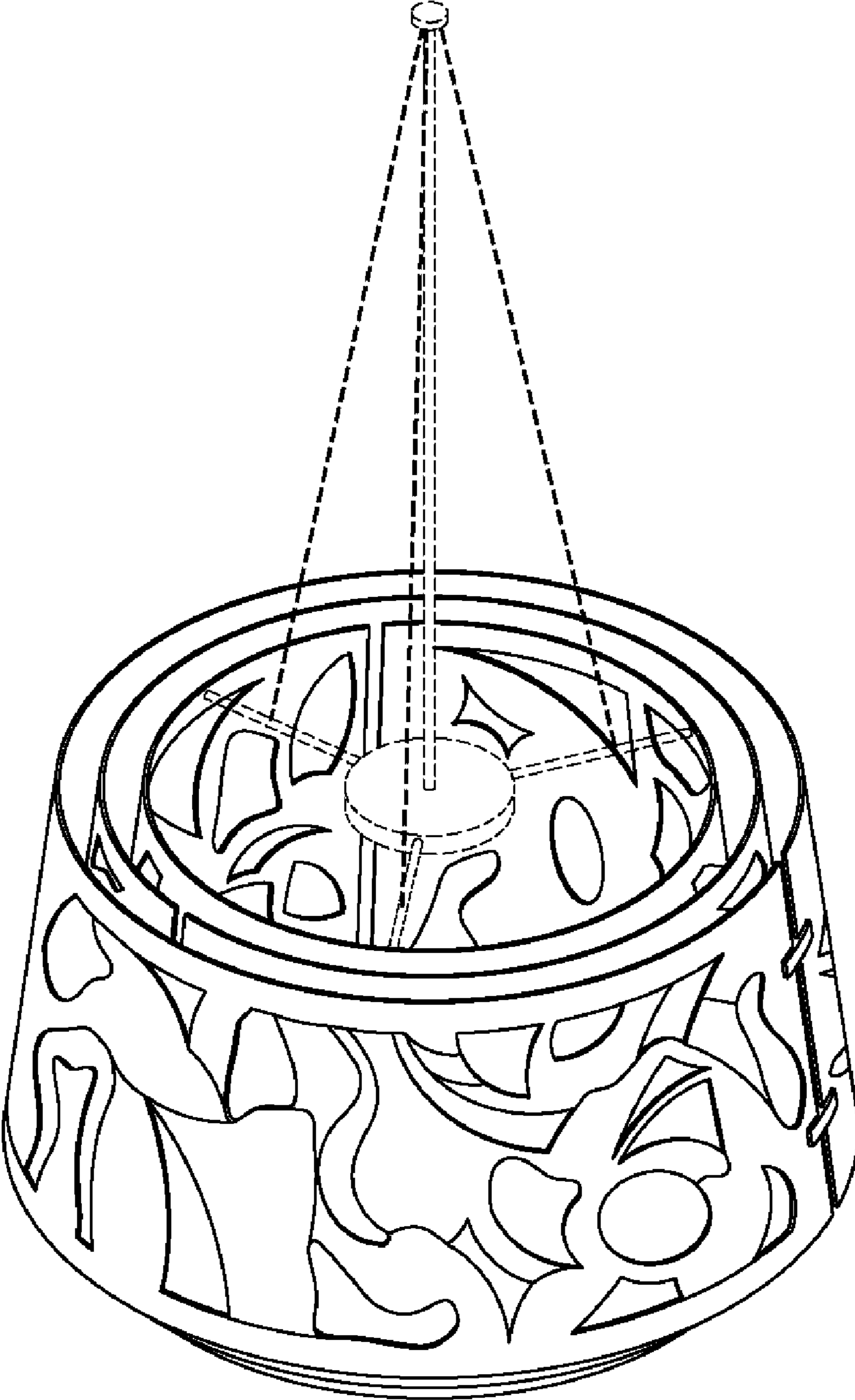


Fig. 2

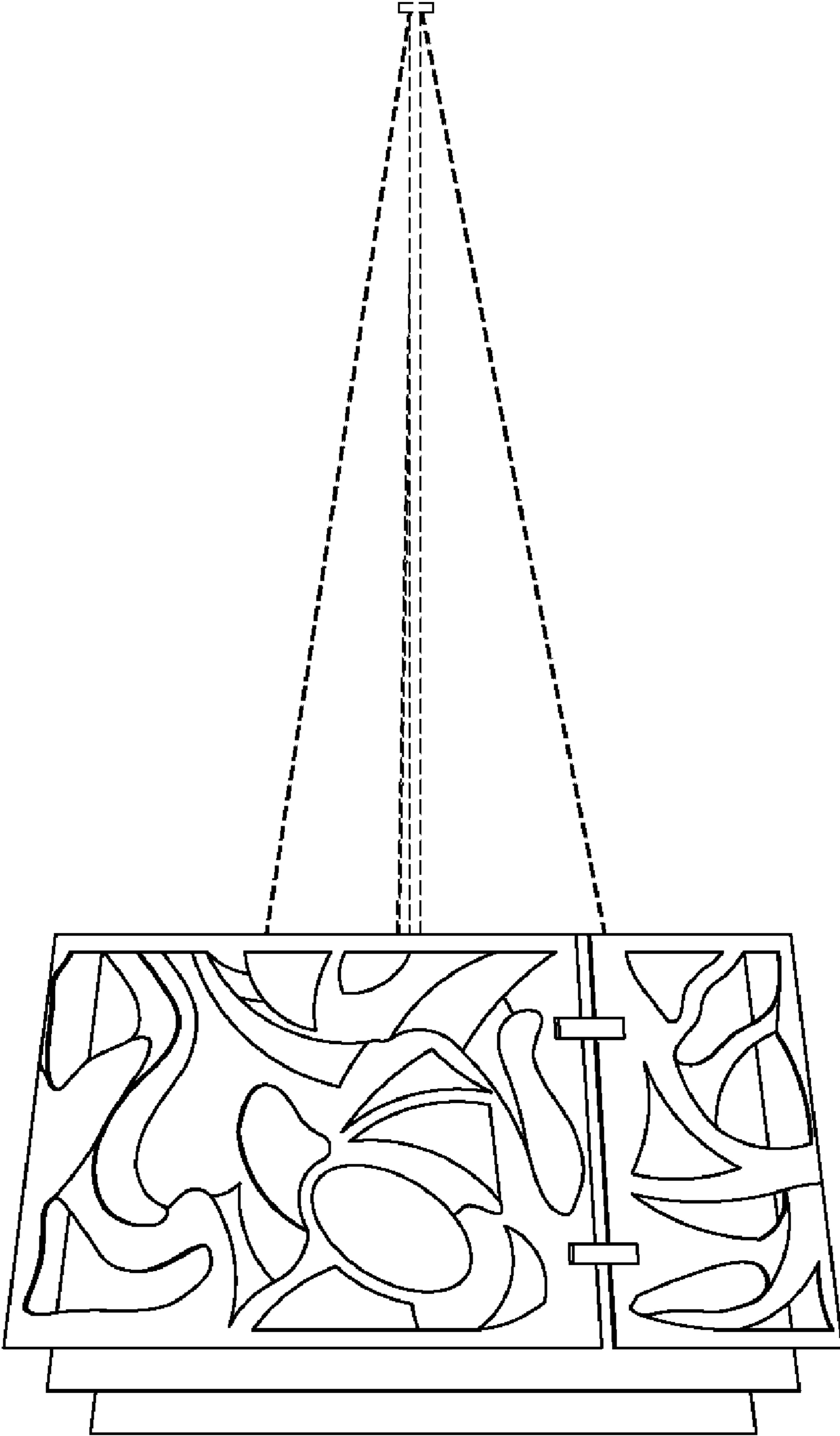


Fig. 3

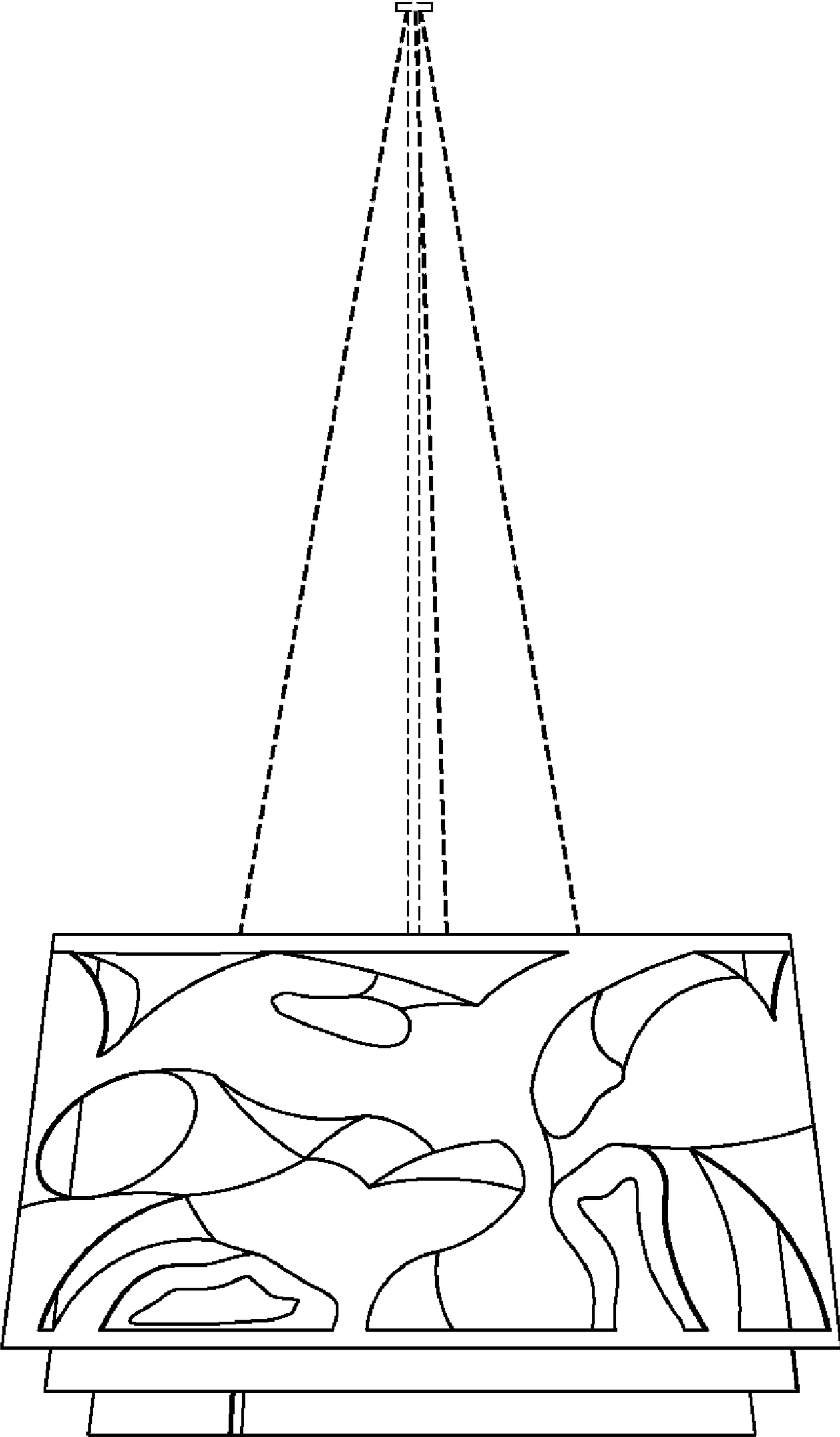


Fig. 4

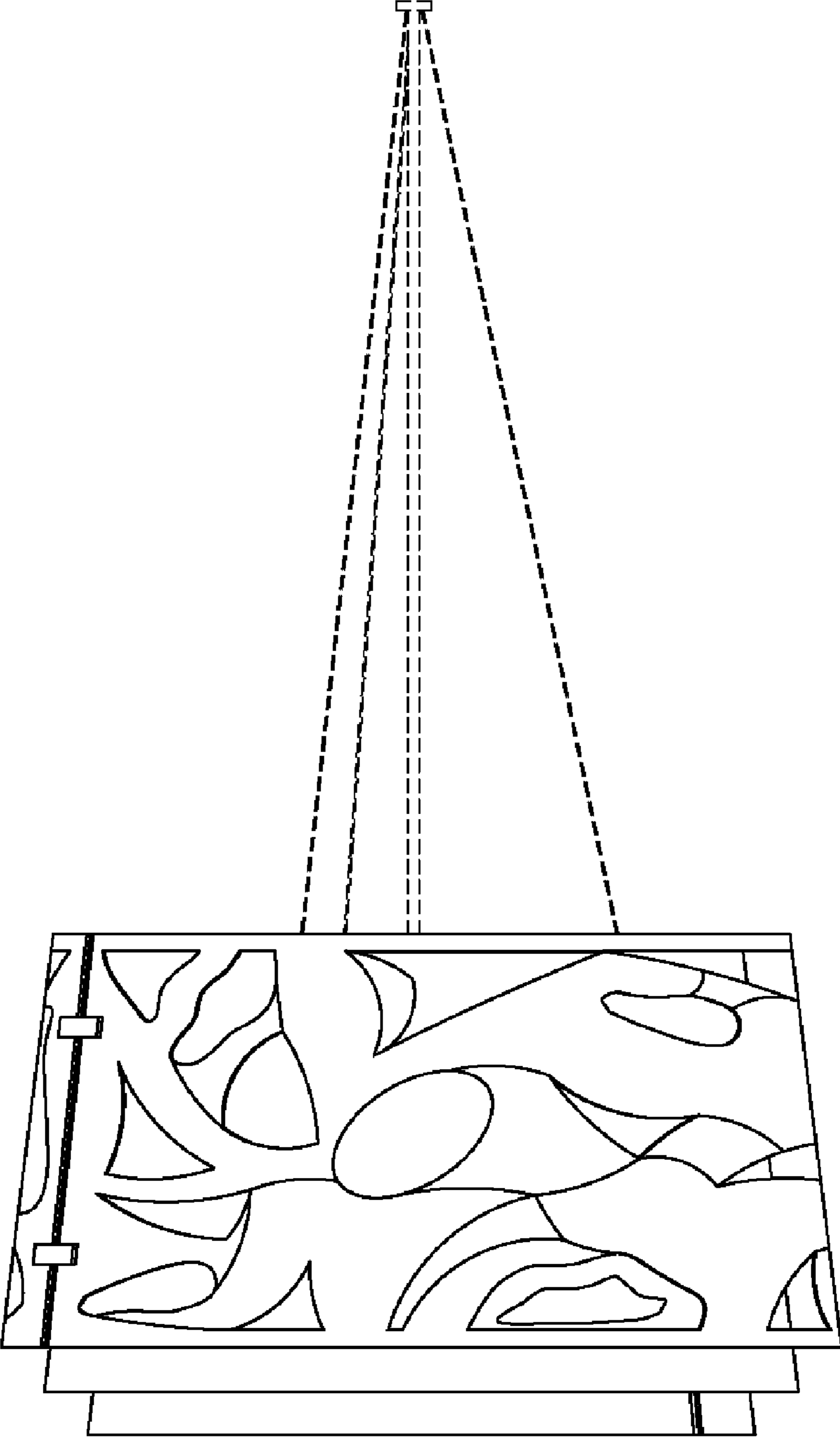


Fig. 5

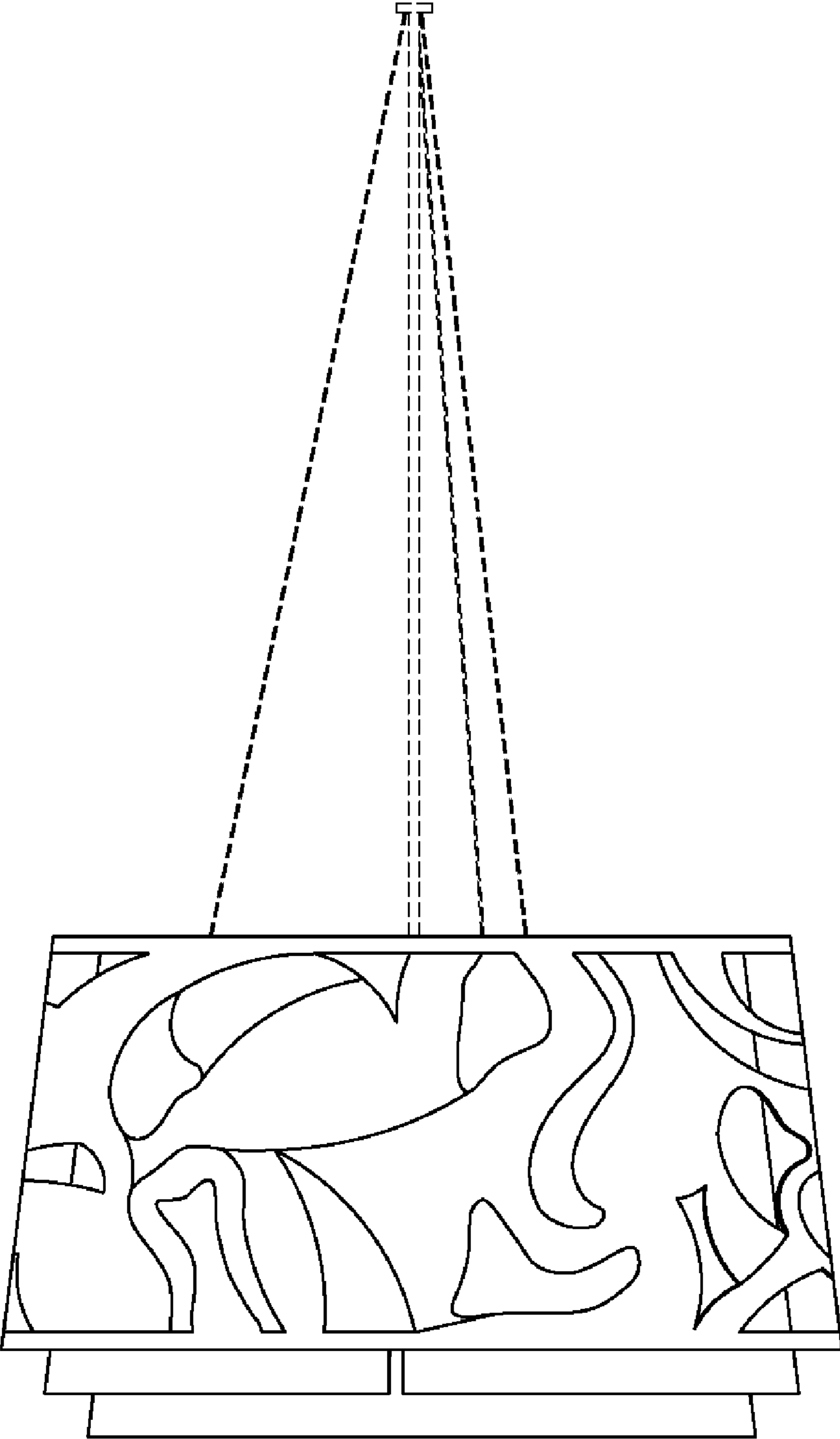


Fig. 6

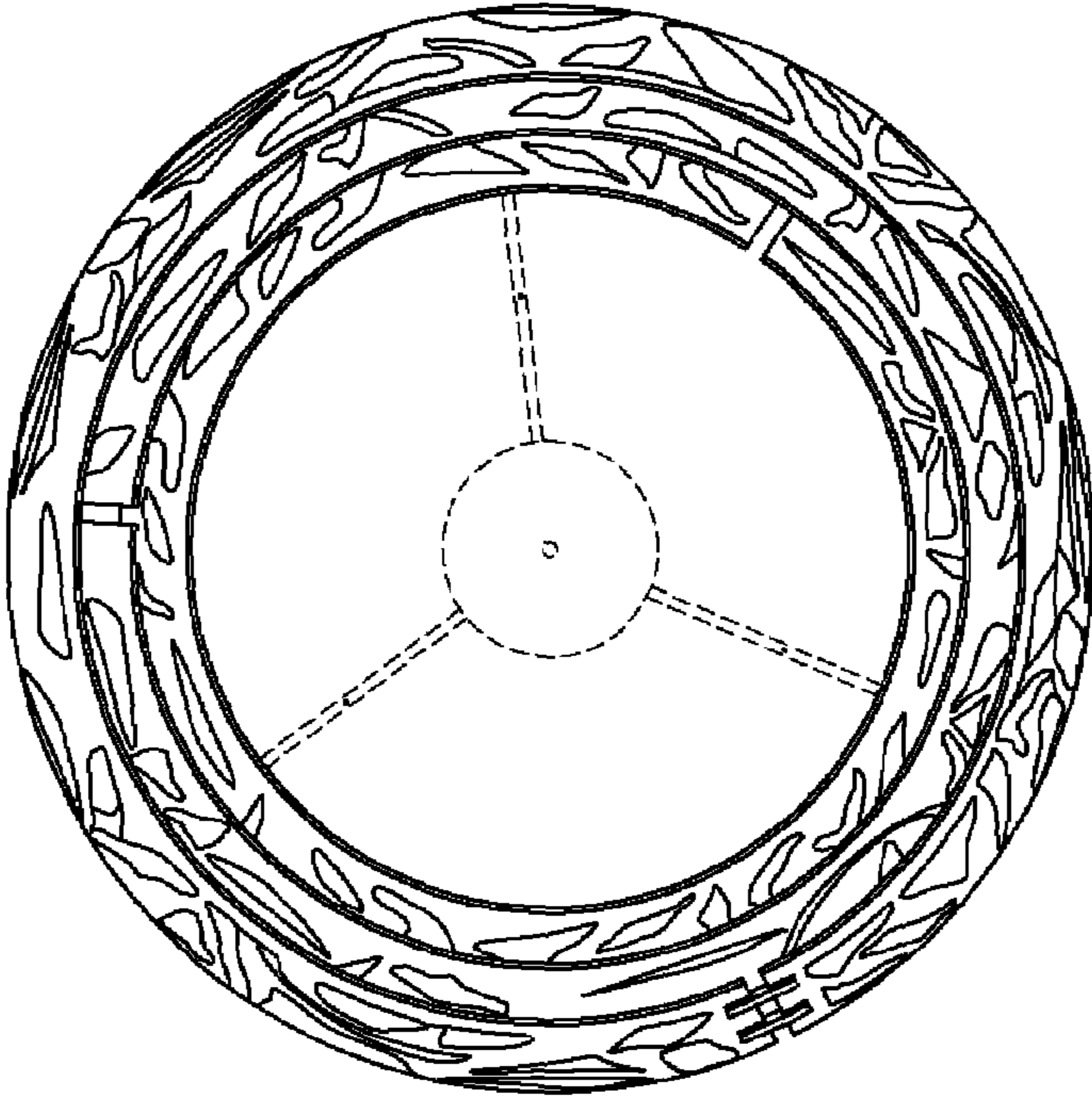


Fig. 7

