



US00D585581S

(12) **United States Design Patent**  
**Purcell**

(10) **Patent No.:** **US D585,581 S**  
(45) **Date of Patent:** **\*\* Jan. 27, 2009**

(54) **LUMINAIRE**

D404,165 S \* 1/1999 Vakil ..... D26/85  
D564,694 S \* 3/2008 Southern, Jr. .... D26/85

(75) Inventor: **Christine Purcell**, Pasadena, CA (US)

\* cited by examiner

(73) Assignee: **Genlyte Thomas Group LLC**,  
Louisville, KY (US)

*Primary Examiner*—Clare E Heflin

(\*\*) Term: **14 Years**

(74) *Attorney, Agent, or Firm*—John F. Salazar; Middleton  
Reutlinger

(21) Appl. No.: **29/317,071**

(57) **CLAIM**

(22) Filed: **Apr. 22, 2008**

The ornamental design for a luminaire, as shown and  
described.

(51) **LOC (9) Cl.** ..... **26-03**

(52) **U.S. Cl.** ..... **D26/85; D26/76**

(58) **Field of Classification Search** ..... D26/72,  
D26/85-92, 24, 76; D10/114; 362/147,  
362/431, 432, 362, 155-157

**DESCRIPTION**

See application file for complete search history.

FIG. 1 is front perspective view of the luminaire of the present  
invention;

(56) **References Cited**

**U.S. PATENT DOCUMENTS**

D135,375 S \* 3/1943 Biller ..... D26/76  
D139,669 S \* 12/1944 Lippincott ..... D26/76  
D212,899 S \* 12/1968 Vesely et al. .... D26/24  
D215,340 S \* 9/1969 Wince ..... D26/76  
D292,322 S \* 10/1987 Krol ..... D26/75  
D331,119 S \* 11/1992 Hagebo ..... D26/76  
D344,364 S \* 2/1994 Engle ..... D26/72

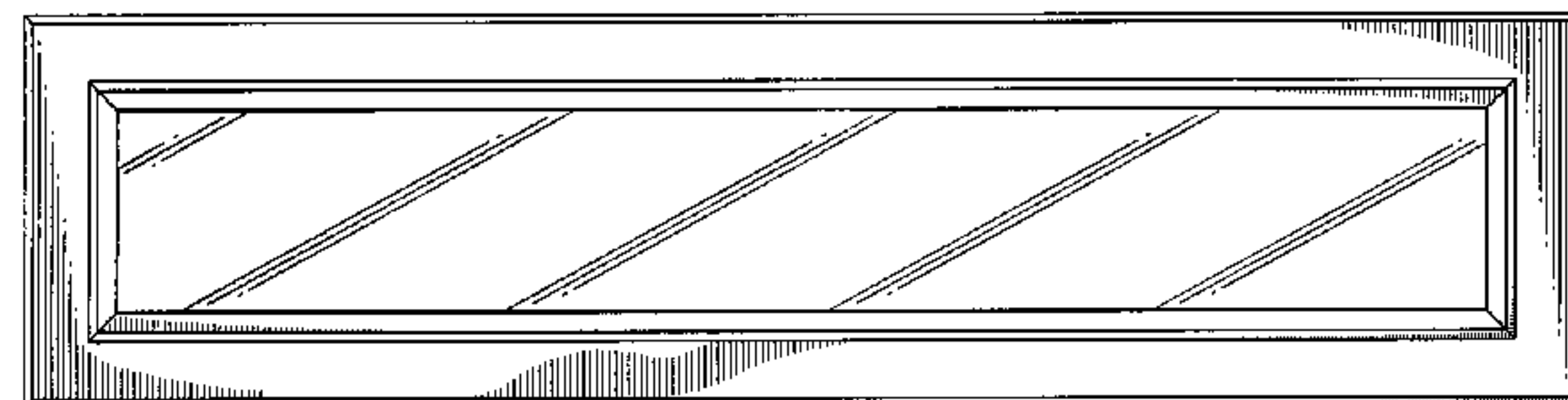
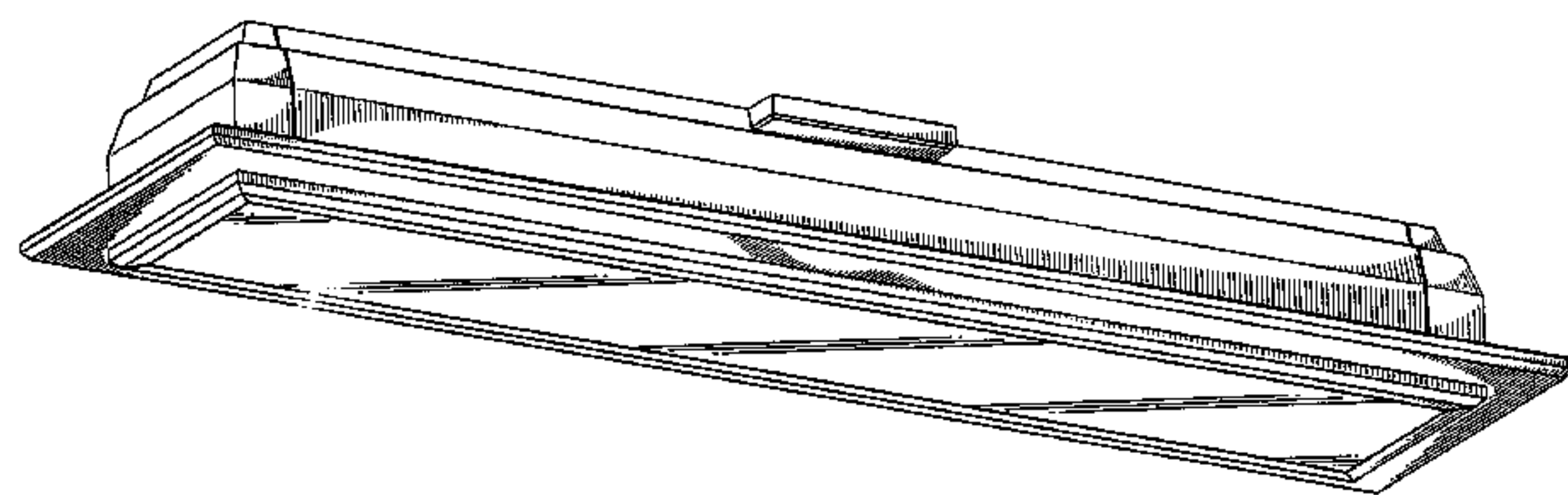
FIG. 2 is a bottom view of the design of the present invention;

FIG. 3 is a front view of the design of the present invention.  
The rear view is a mirror image of the front view, so the rear  
view is not depicted; and,

FIG. 4 is a right side view of the design of the present inven-  
tion. The left side view is a mirror image of the right side view,  
so the left side view is not depicted.

The broken lines shown on the drawings are shown for illus-  
trative purposes only and form no part of the claimed design.

**1 Claim, 4 Drawing Sheets**



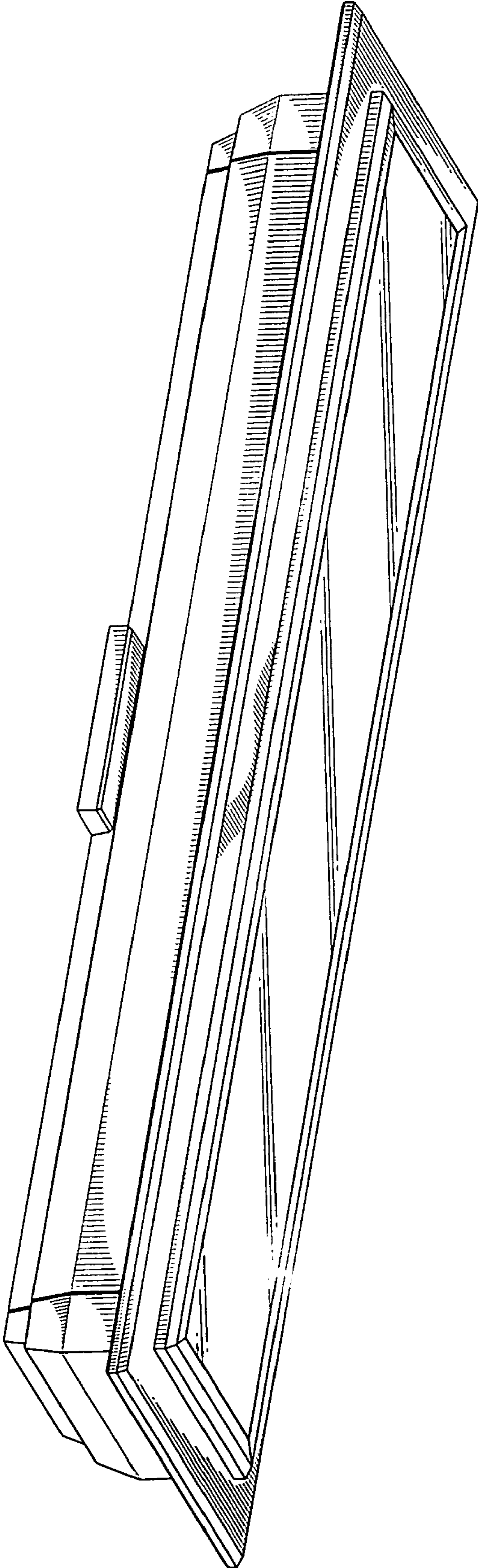


FIG. 1

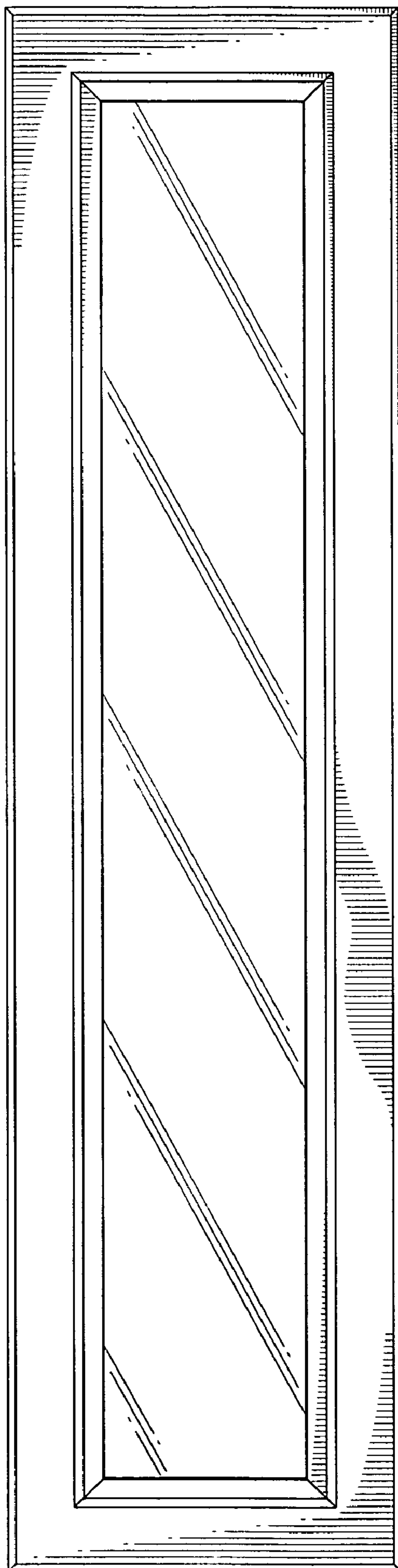


FIG. 2

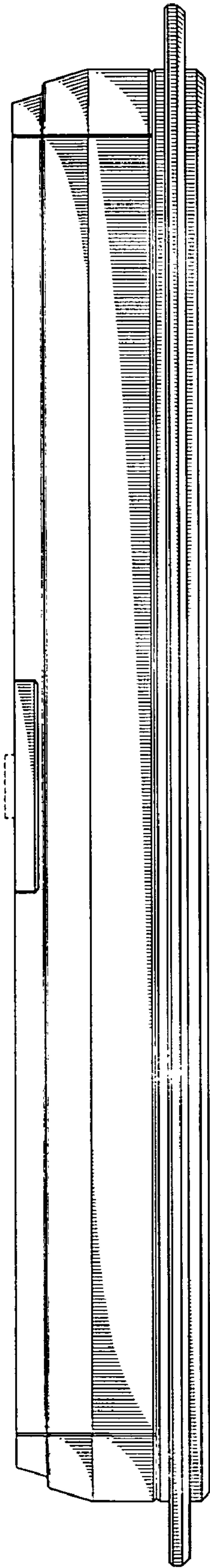


FIG. 3

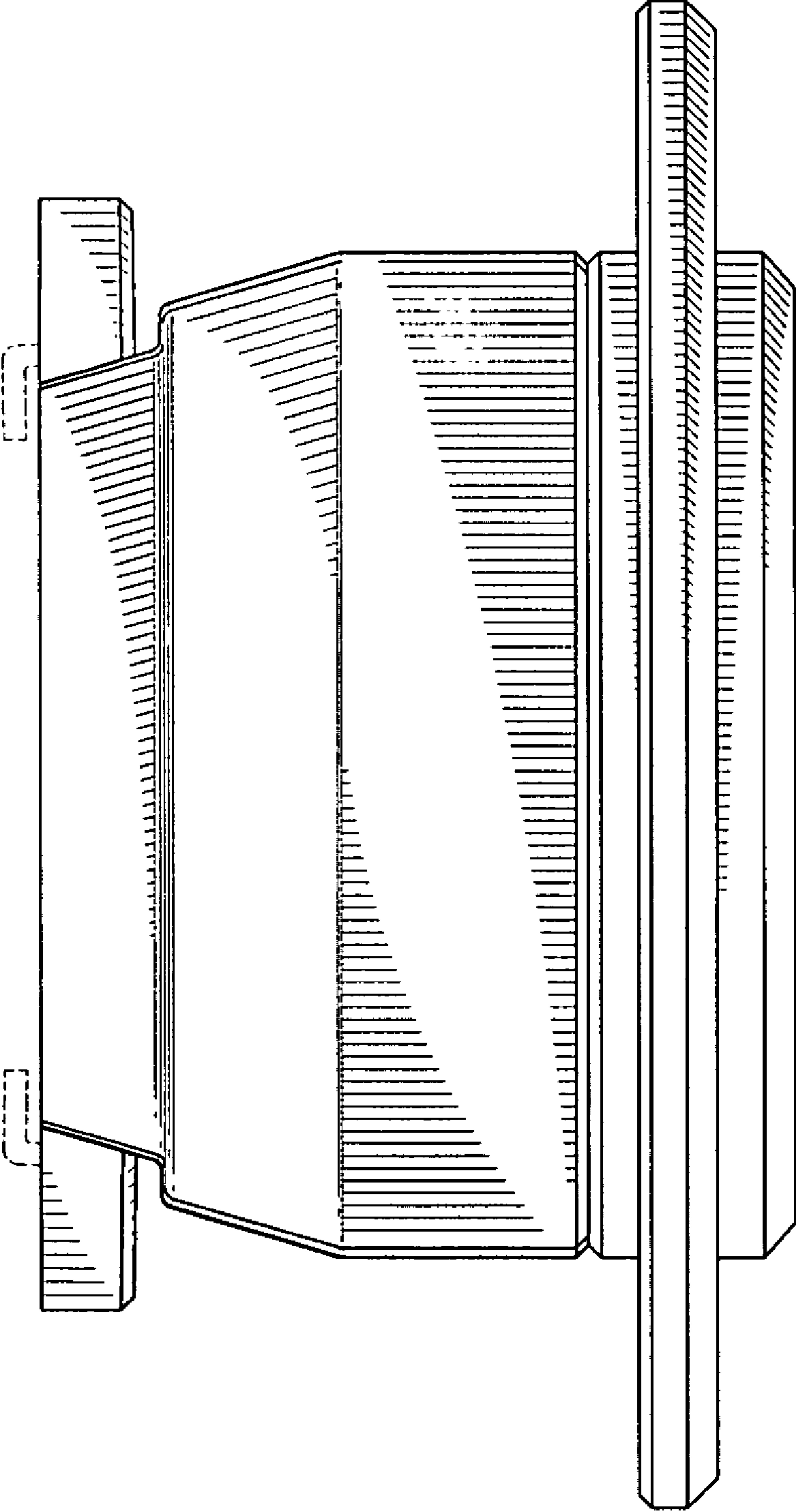


FIG. 4