



US00D585579S

(12) **United States Design Patent**  
**Lehman**

(10) **Patent No.:** **US D585,579 S**  
(45) **Date of Patent:** **\*\* Jan. 27, 2009**

(54) **TRACK LIGHTING FIXTURE WITH HEAT DISSIPATING FINS**

(75) Inventor: **Michael Lehman**, Mount Prospect, IL (US)

(73) Assignee: **Conservation Technology of Illinois, LLC**, Northbrook, IL (US)

(\*\*) Term: **14 Years**

(21) Appl. No.: **29/308,538**

(22) Filed: **Jun. 23, 2008**

(51) **LOC (9) Cl.** ..... **26-05**

(52) **U.S. Cl.** ..... **D26/63**

(58) **Field of Classification Search** ..... D26/43, D26/51, 56, 60-66, 72, 93, 107, 118, 128; D24/210; 362/147, 191, 230, 231, 232, 238, 362/239, 250, 254, 255, 265, 269, 270, 275, 362/277, 278, 280-288, 306, 310, 311, 396, 362/404, 362, 410-414, 418-430, 449, 640, 362/647, 648, 652, 653, 655, 804, 99; 439/122  
See application file for complete search history.

(56) **References Cited**

**U.S. PATENT DOCUMENTS**

- D316,909 S \* 5/1991 Atkinson Paul et al. .... D26/63
- D380,847 S \* 7/1997 Mier-Langner et al. .... D26/63
- D389,260 S \* 1/1998 Mier-Langner et al. .... D26/63
- D394,723 S \* 5/1998 Mier-Langner et al. .... D26/63
- D415,301 S \* 10/1999 Stacy et al. .... D26/63

- D417,300 S \* 11/1999 Stacy et al. .... D26/63
- D444,251 S \* 6/2001 Donato ..... D26/63
- 7,160,001 B2 \* 1/2007 Bartlett ..... 362/285
- D552,780 S \* 10/2007 Starck ..... D26/63
- D564,121 S \* 3/2008 Lin ..... D26/64
- D567,979 S \* 4/2008 Starck ..... D26/63
- 2005/0078482 A1 \* 4/2005 Bartlett ..... 362/285

\* cited by examiner

*Primary Examiner*—Cathron C Brooks

(74) *Attorney, Agent, or Firm*—Gerald M. Newman

(57) **CLAIM**

The ornamental design for a track lighting fixture with heat dissipating fins, as shown and described.

**DESCRIPTION**

FIG. 1 is an isometric top/side view of the track lighting fixture with heat dissipating fins embodying my new design.

FIG. 2 is a right side view of the design shown in FIG. 1, with the lamp head shown aligned with the base.

FIG. 3 is a top view thereof.

FIG. 4 is a front elevational view thereof.

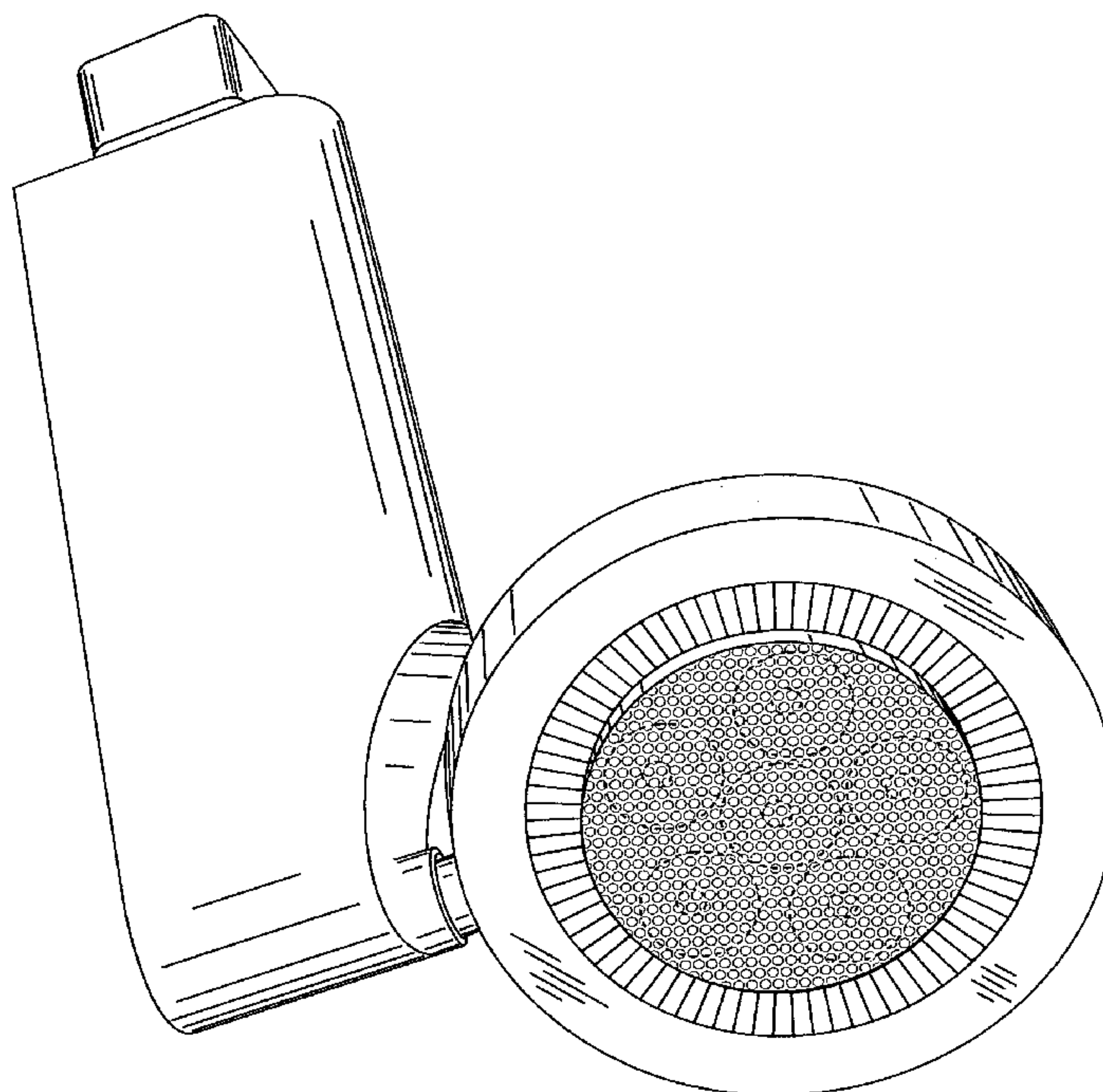
FIG. 5 is a left side view thereof.

FIG. 6 is a bottom plan view thereof; and,

FIG. 7 is a rear elevational view thereof.

The broken line showing of six circular features on the interior of the lamp head illustrate unclaimed portions of the article and form no part of the claimed design.

**1 Claim, 3 Drawing Sheets**



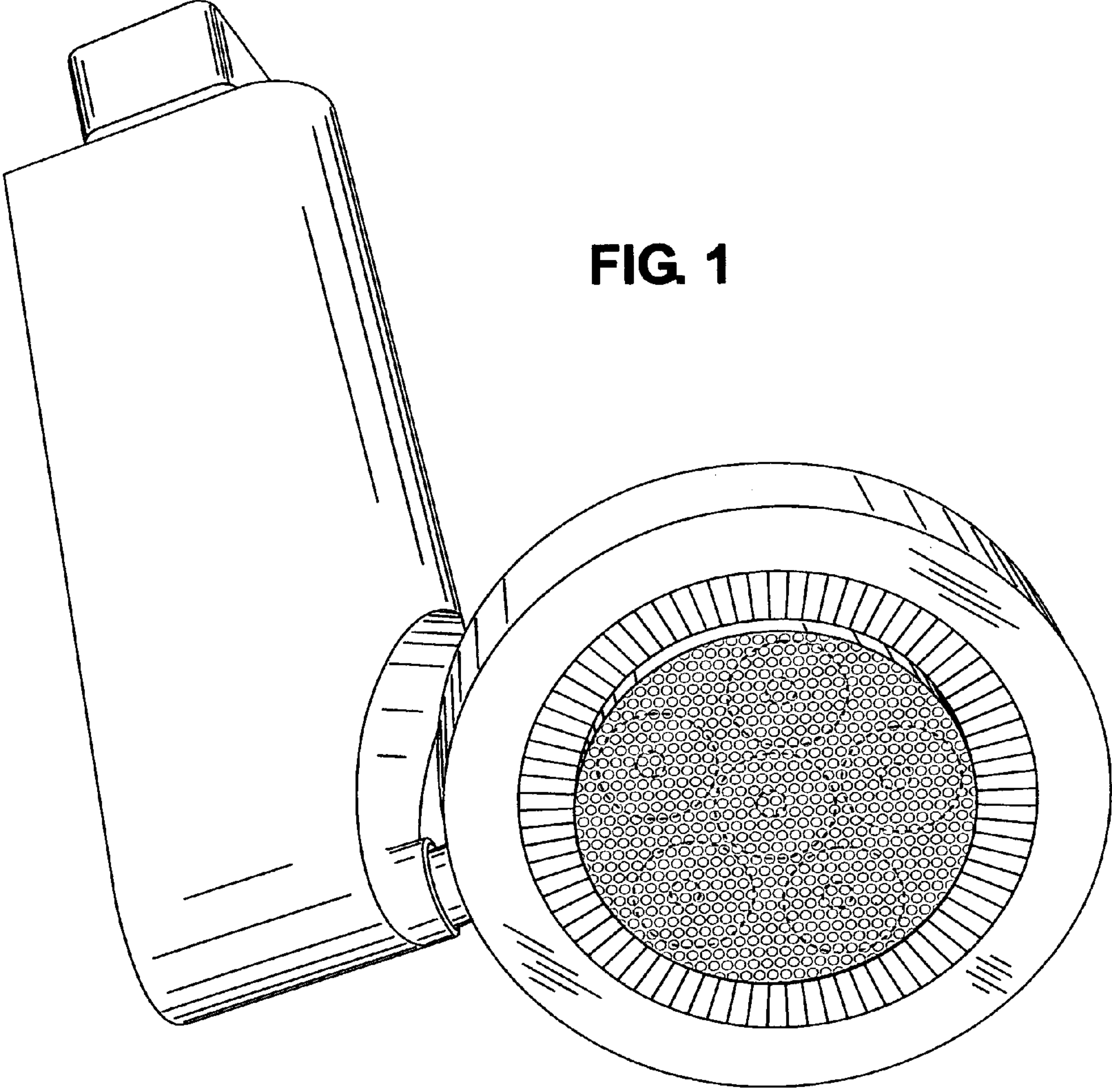
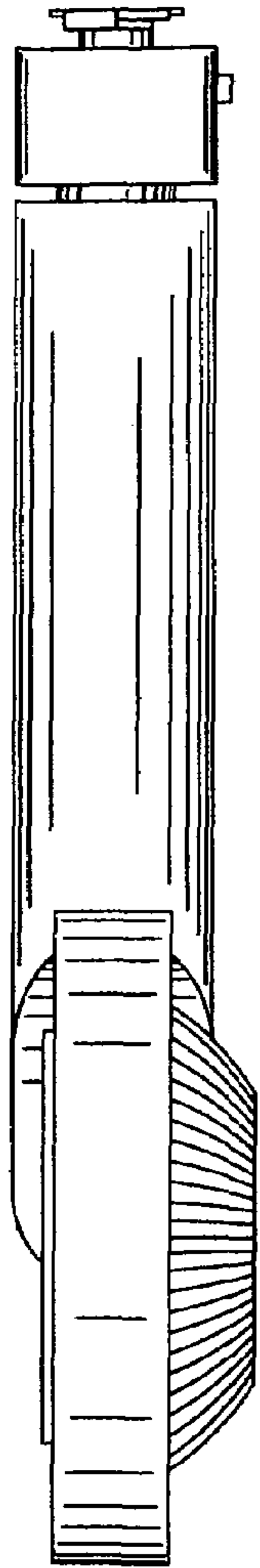
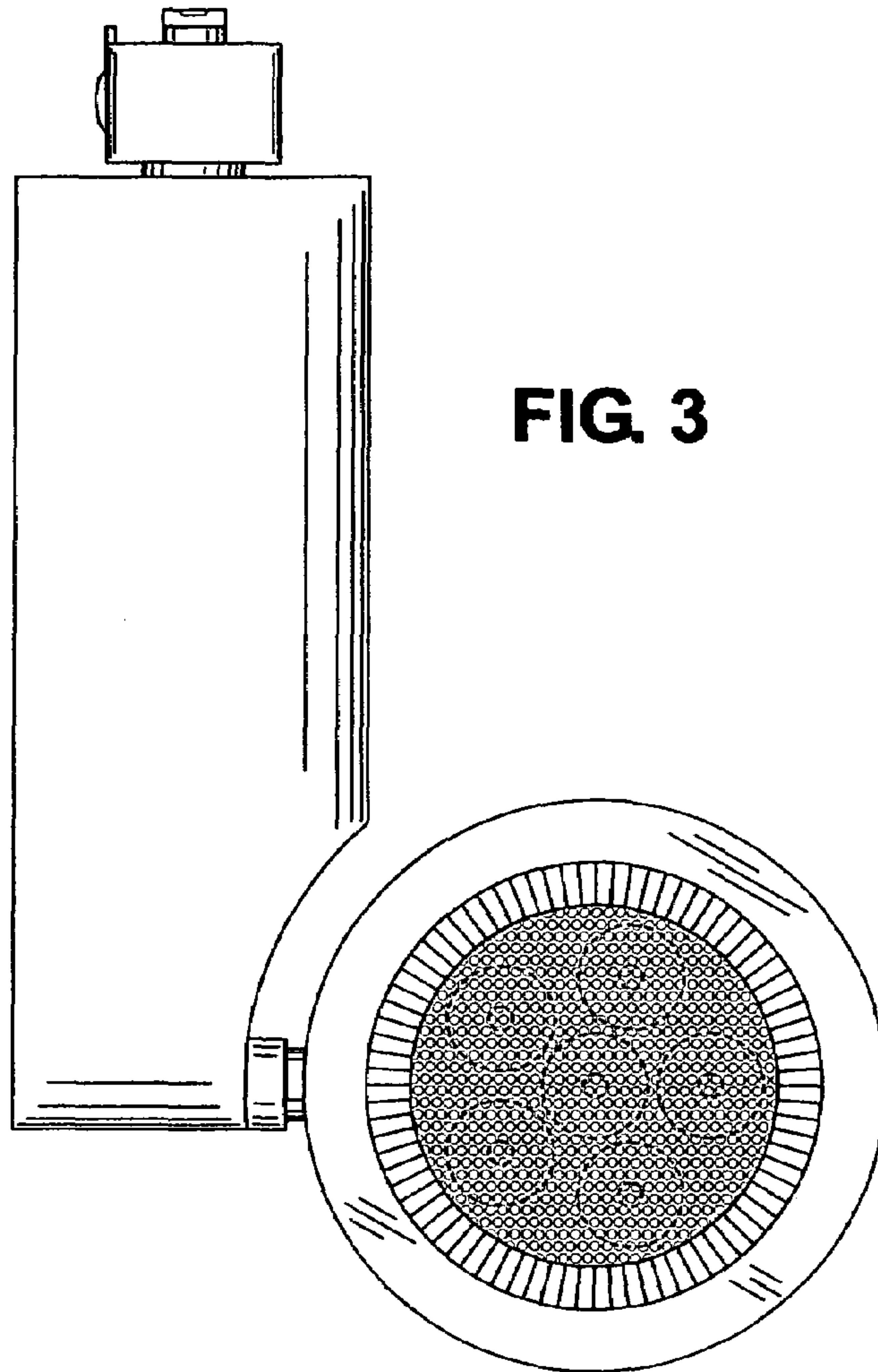


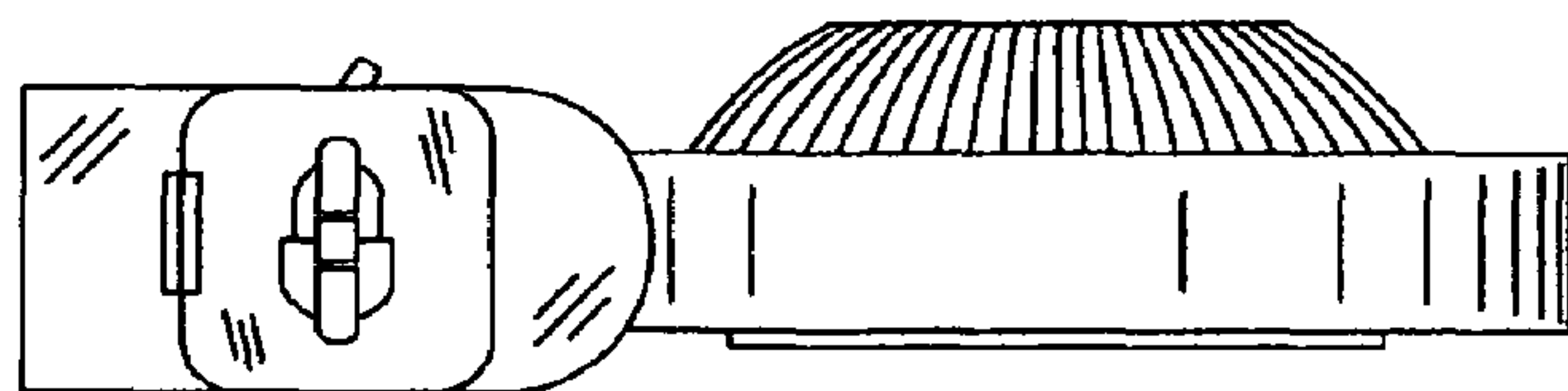
FIG. 1



**FIG. 2**

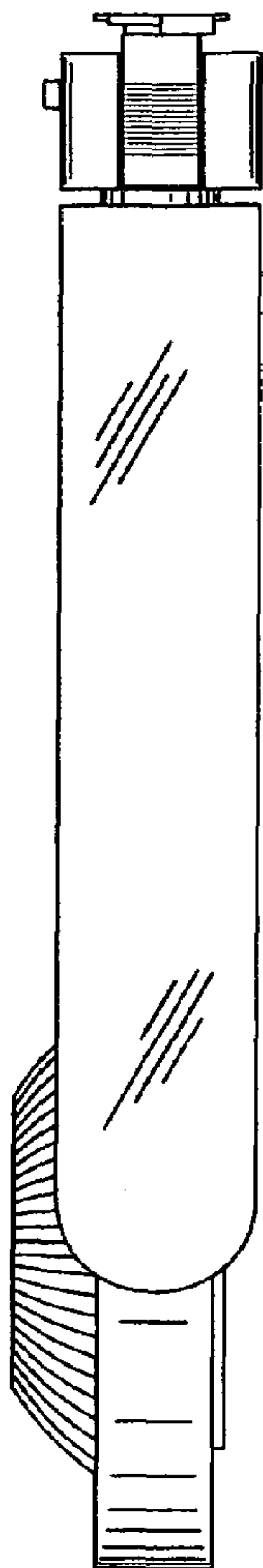


**FIG. 3**

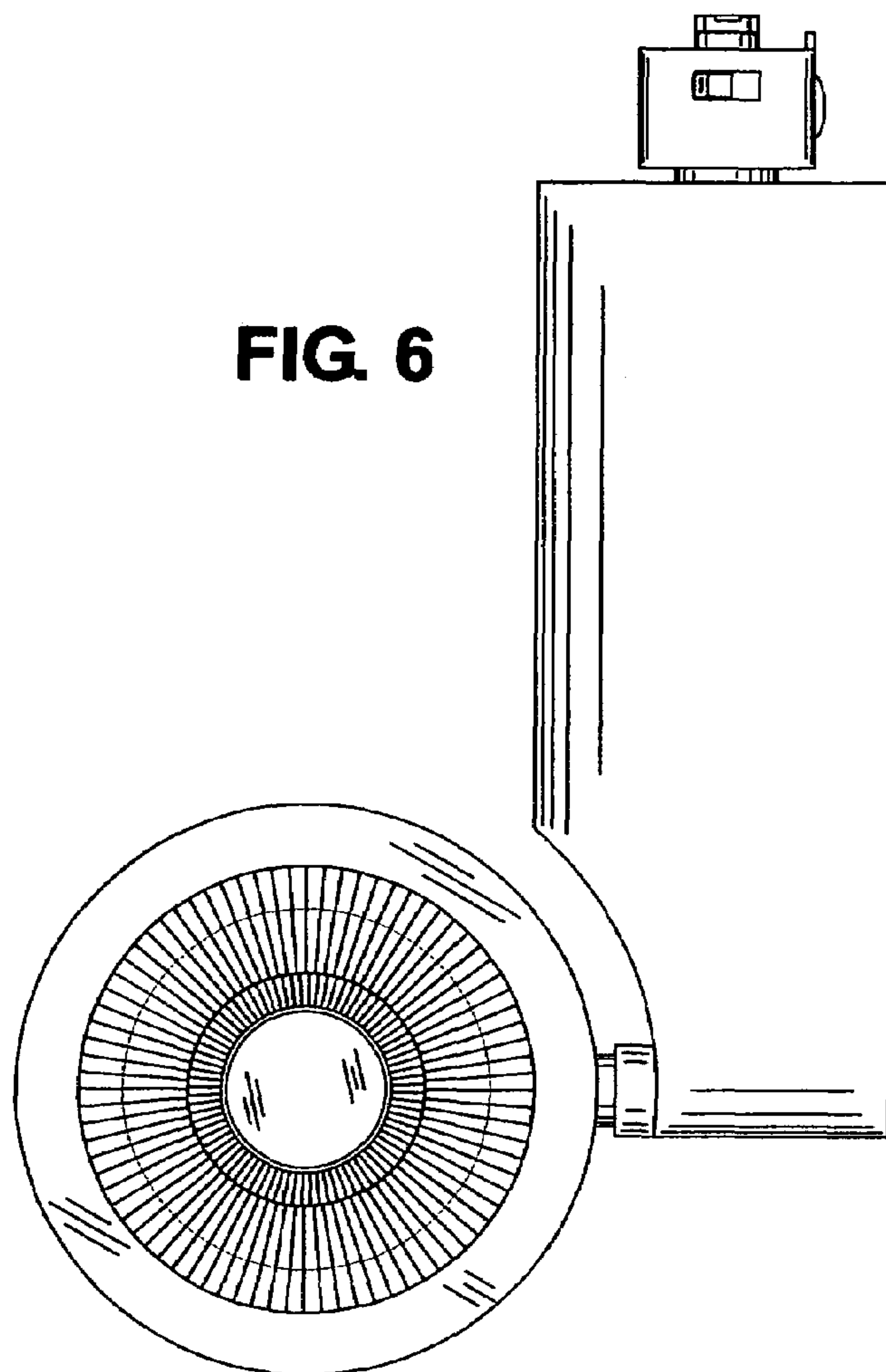


**FIG. 4**

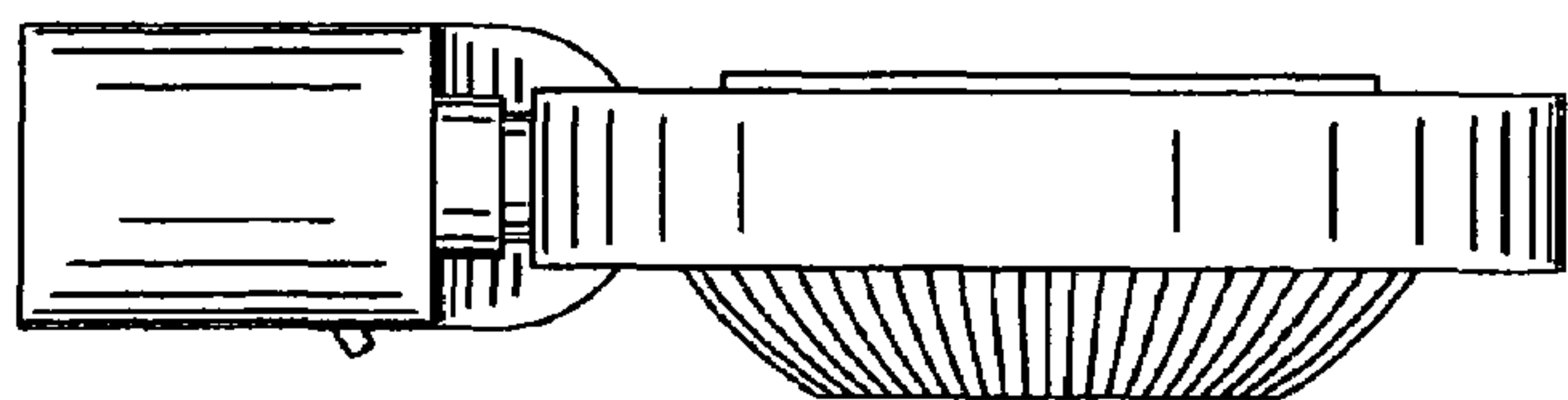




**FIG. 5**



**FIG. 6**



**FIG. 7**