



US00D585577S

(12) **United States Design Patent**
Bonis

(10) **Patent No.:** **US D585,577 S**

(45) **Date of Patent:** **** Jan. 27, 2009**

(54) **FLASHLIGHT**

(76) Inventor: **James G. Bonis**, 170 Kenwick Rd.,
Rochester, NY (US) 14623

(**) Term: **14 Years**

(21) Appl. No.: **29/298,133**

(22) Filed: **Nov. 29, 2007**

(51) **LOC (9) Cl.** **26-02**

(52) **U.S. Cl.** **D26/49**

(58) **Field of Classification Search** D26/37,
D26/46, 48, 49, 50; 362/157, 158, 183, 184,
362/190, 194, 195, 196, 197, 202-208

See application file for complete search history.

(56) **References Cited**

U.S. PATENT DOCUMENTS

D509,008 S *	8/2005	Shiu	D26/37
D513,334 S *	12/2005	Galey	D26/37
D541,454 S *	4/2007	Galey	D26/49
D554,281 S *	10/2007	Bushee et al.	D26/37
7,278,764 B2 *	10/2007	Kim	362/382
D554,787 S *	11/2007	Shiu	D26/49
D565,768 S *	4/2008	Shiu	D26/49
D566,309 S *	4/2008	Kornfeld et al.	D26/37
D566,314 S *	4/2008	Jen	D26/49

* cited by examiner

Primary Examiner—Ian Simmons
Assistant Examiner—Carissa C Fitts

(57) **CLAIM**

The ornamental design for a flashlight, as shown.

DESCRIPTION

The claimed flashlight is used to illumine areas of undesirably low light and could be held in hand or mounted on another object, such as a weapon.

FIG. 1 is a front perspective view of a flashlight showing my new design;

FIG. 2 is a front elevational view thereof;

FIG. 3 is a left side elevational view thereof;

FIG. 4 is a rear plan view thereof;

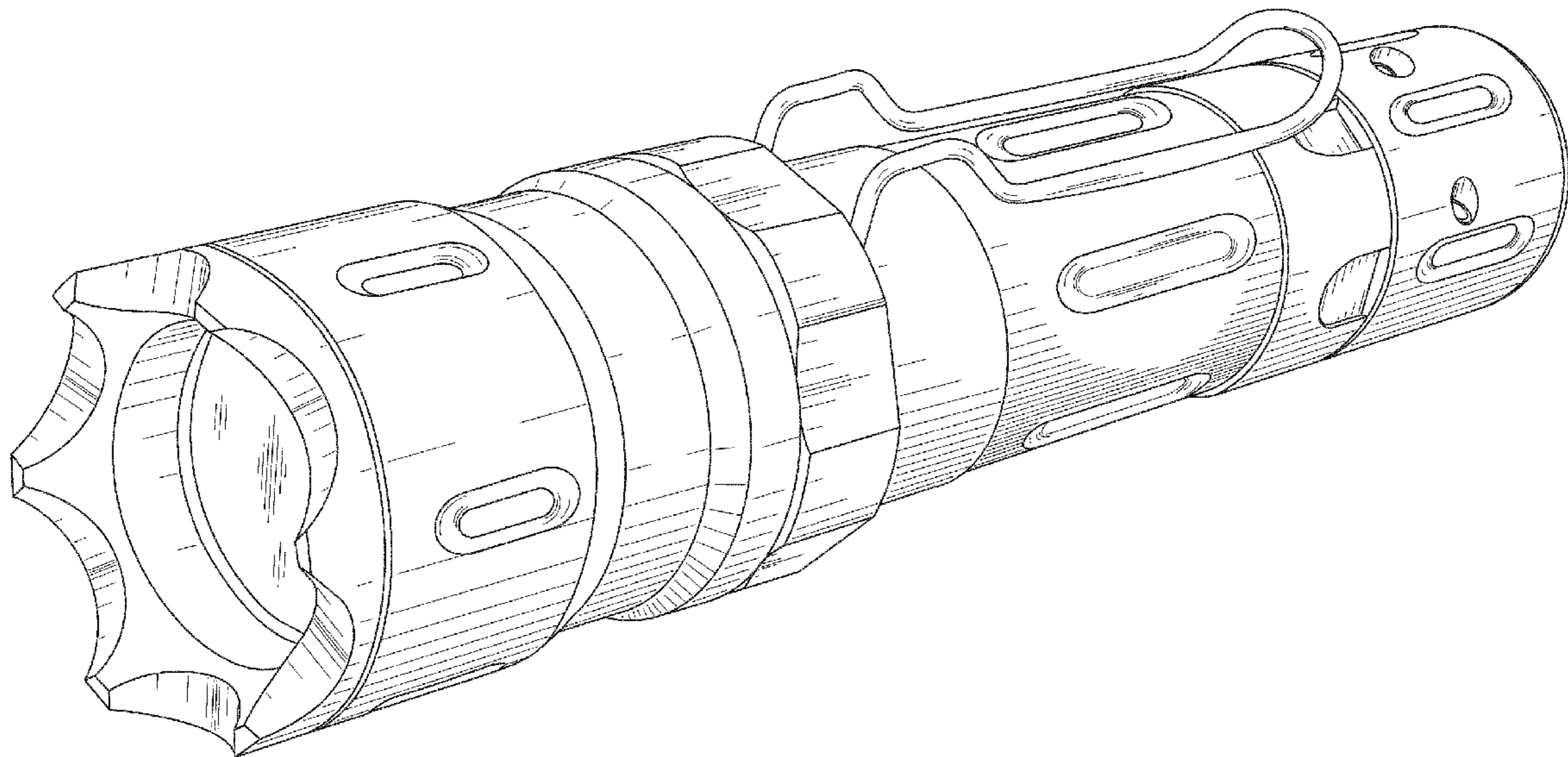
FIG. 5 is a right side elevational view thereof;

FIG. 6 is a top plan view thereof; and,

FIG. 7 is a bottom plan view thereof.

The broken line showing is for illustrative purposes only and forms no part of the claimed design.

1 Claim, 7 Drawing Sheets



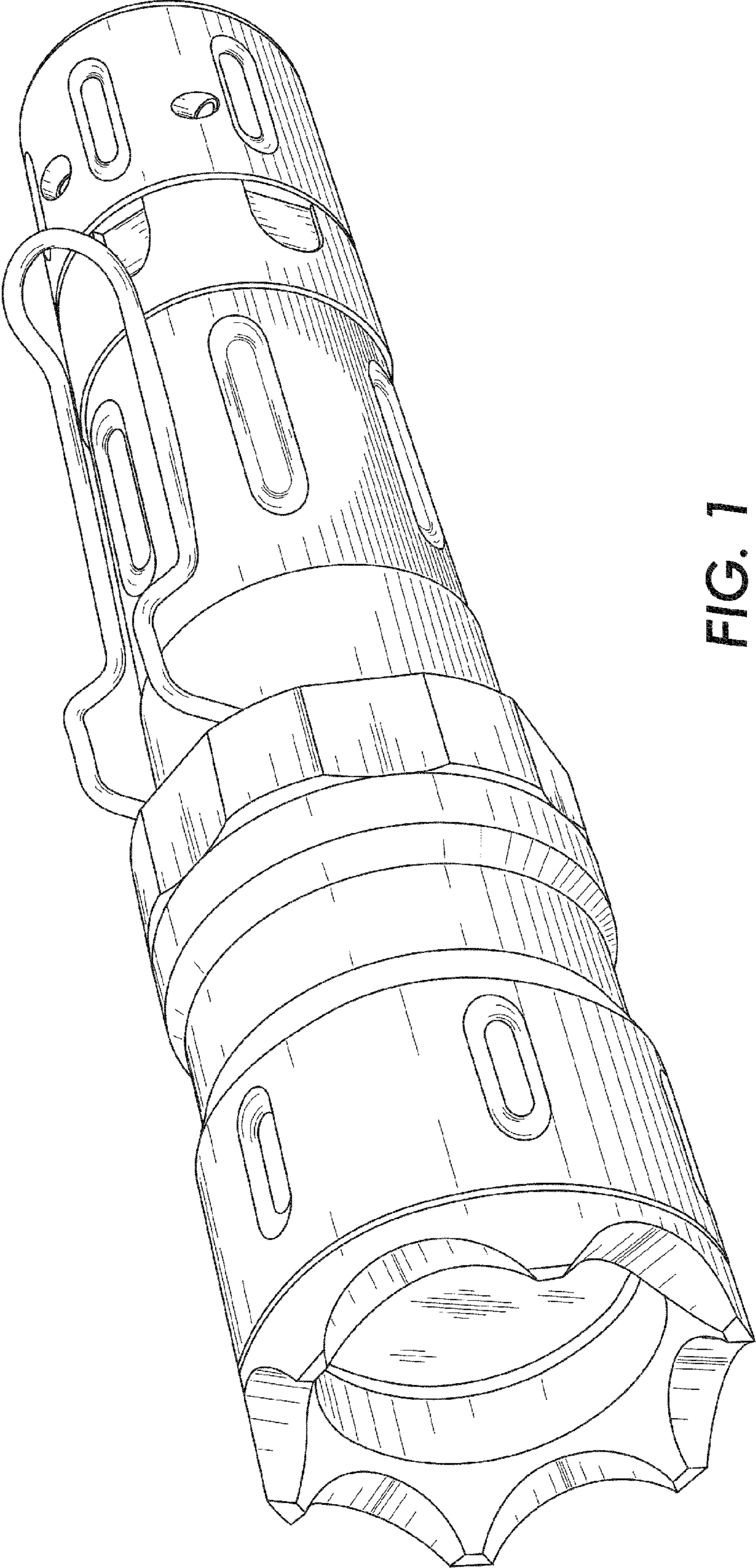


FIG. 1

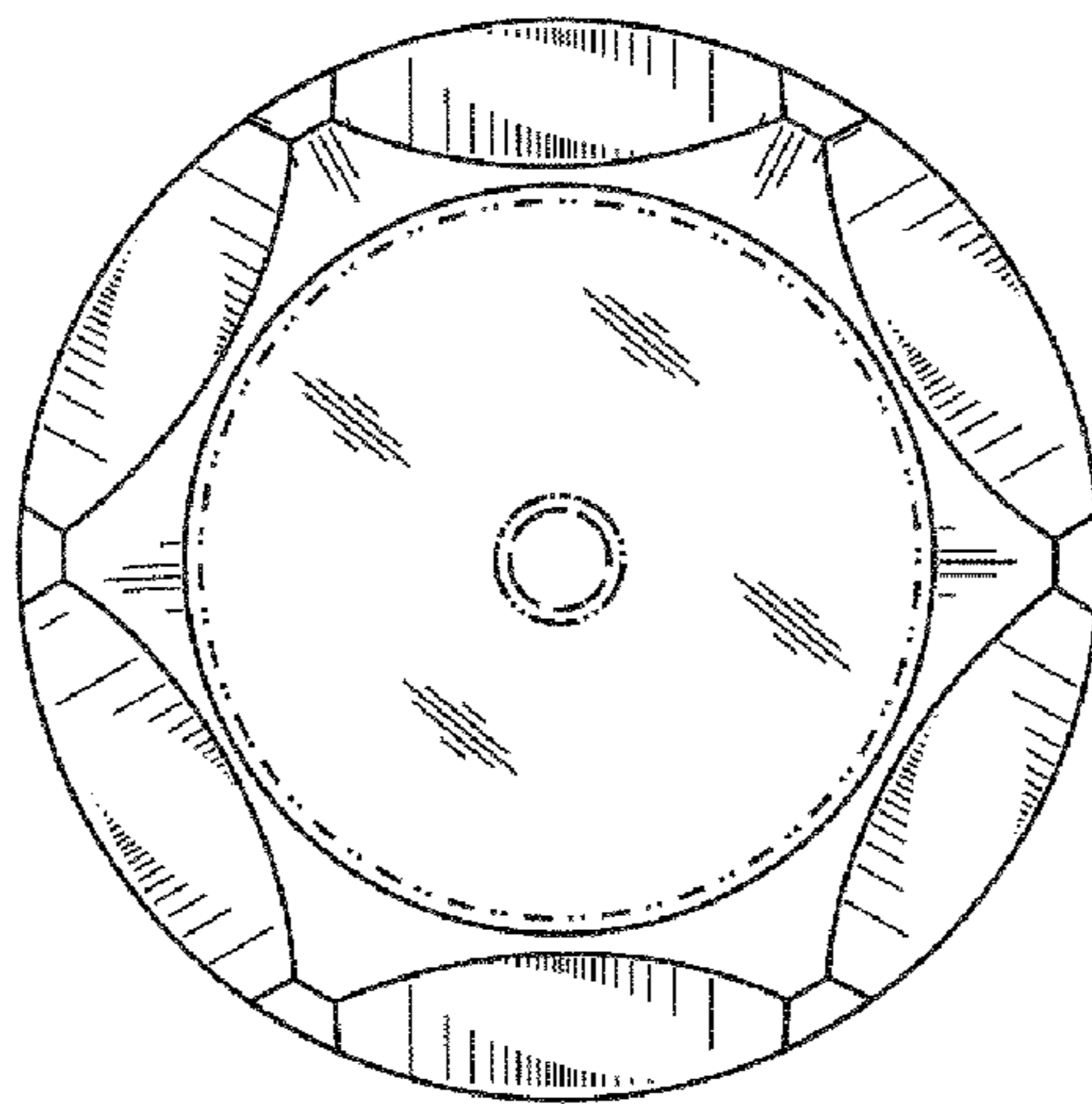


FIG. 2

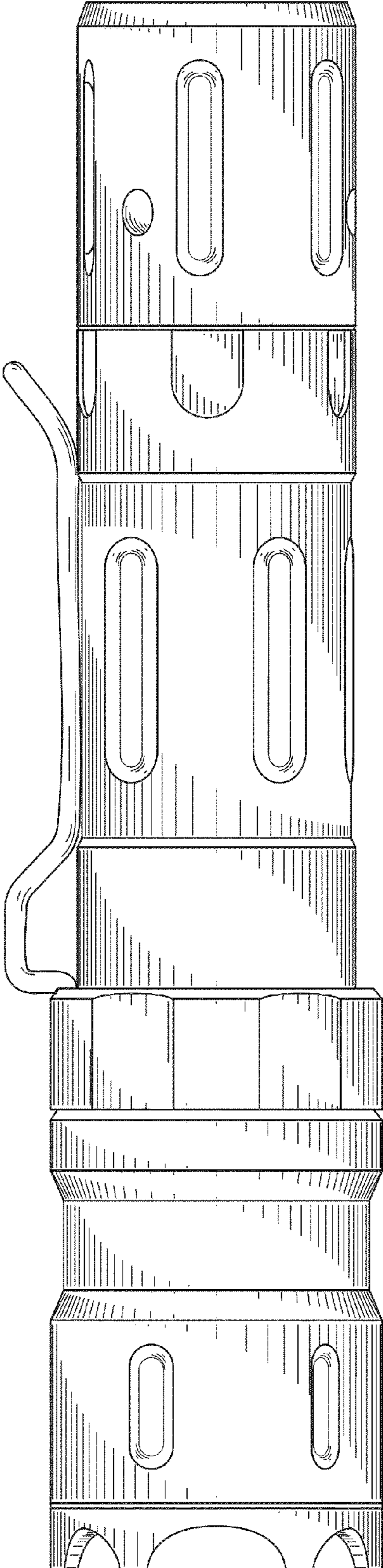


FIG. 3

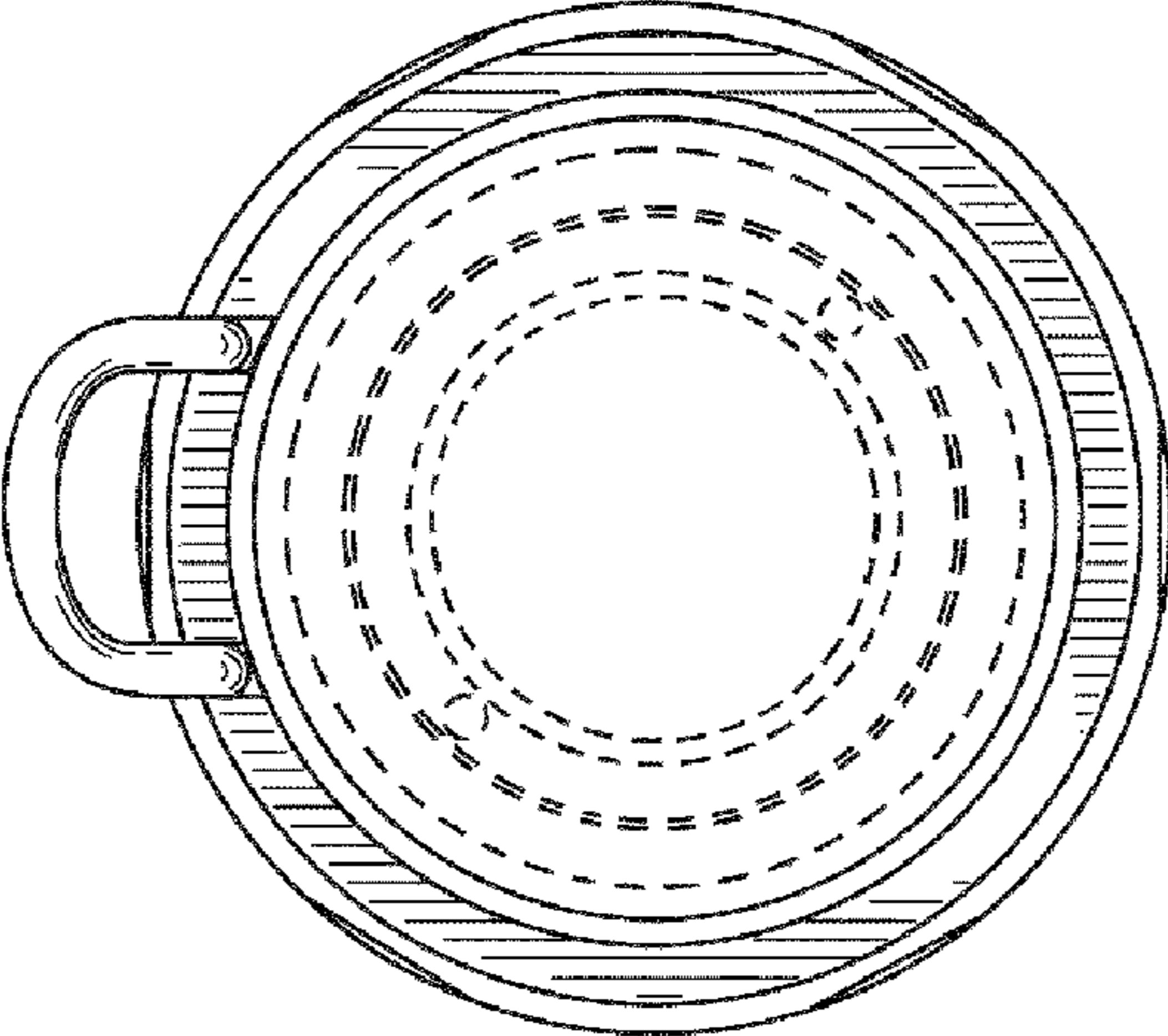


FIG. 4

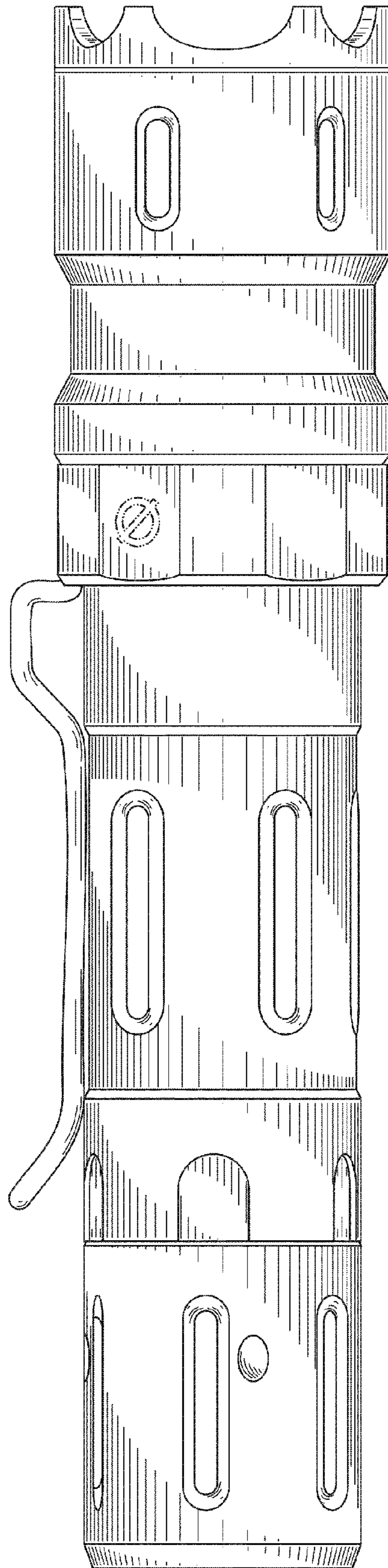


FIG. 5

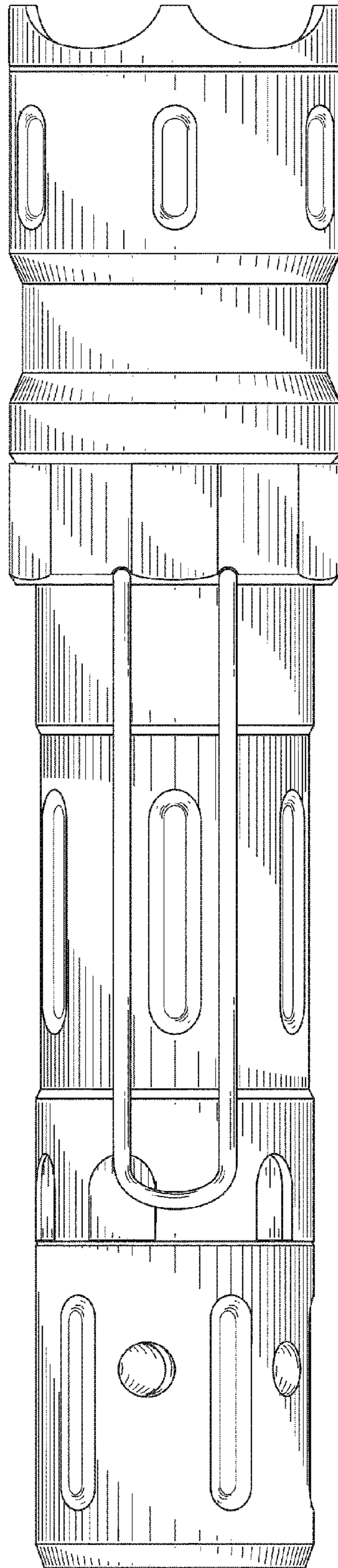


FIG. 6

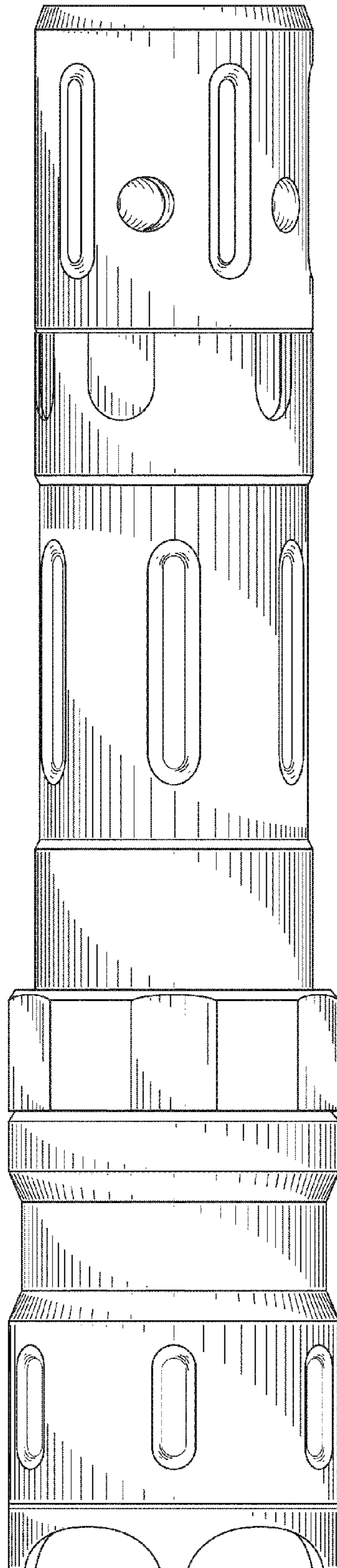


FIG. 7