



US00D585575S

(12) **United States Design Patent**
Crispin et al.

(10) **Patent No.:** **US D585,575 S**

(45) **Date of Patent:** **** Jan. 27, 2009**

(54) **VEHICLE LIGHT**

(75) Inventors: **Trevor Crispin**, Hindmarsh (AU);
Bernie Dunn, Hindmarsh (AU); **Andrew Keil**, Hindmarsh (AU); **Peter Culley**, Hindmarsh (AU); **Kerry Langkilde**, Hindmarsh (AU); **Jeff Innes**, Hindmarsh (AU); **Eric Hahn**, Hindmarsh (AU); **Gavan Doyle**, Westbourne Park (AU); **Dave Holden**, Westbourne Park (AU); **Steve Layton**, Westbourne Park (AU)

(73) Assignee: **Lightforce Australia Pty. Ltd.**, Hindmarsh, South Australia

(**) Term: **14 Years**

(21) Appl. No.: **29/307,254**

(22) Filed: **Apr. 9, 2008**

(30) **Foreign Application Priority Data**

Sep. 10, 2007 (AU) 20159/2007

(51) **LOC (9) Cl.** **26-06**

(52) **U.S. Cl.** **D26/28**

(58) **Field of Classification Search** D26/28-36;
362/459-468, 475-478, 485-487

See application file for complete search history.

(56) **References Cited**

U.S. PATENT DOCUMENTS

D470,257 S * 2/2003 Byggmastar D26/28

D471,658 S * 3/2003 Byggmastar D26/28

D510,636 S * 10/2005 Yamamoto D26/28

D564,683 S * 3/2008 Roach et al. D26/28

D572,856 S * 7/2008 Kehl et al. D26/61

* cited by examiner

Primary Examiner—Marcus A. Jackson

(74) *Attorney, Agent, or Firm*—Olson & Cepuritis, Ltd.

(57) **CLAIM**

The ornamental design for a vehicle light, as shown and described.

DESCRIPTION

FIG. 1 is a rear view of a vehicle light

FIG. 2. is a front view of a vehicle light

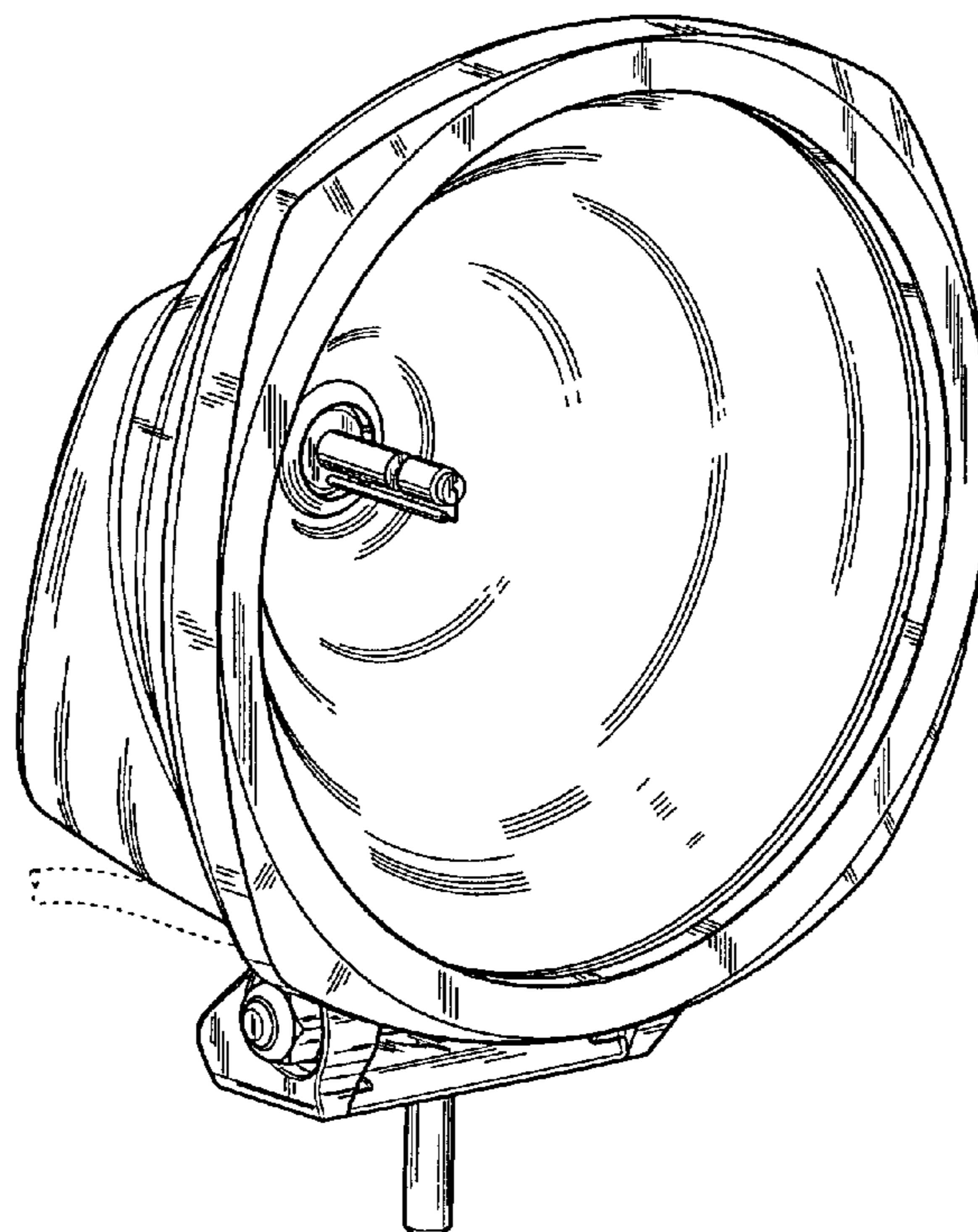
FIG. 3. is a side view of a vehicle light

FIG. 4. is a rear perspective view of a vehicle light; while; and,

FIG. 5. is a front perspective view of a vehicle light.

The broken line showing of the wire is included for the purpose of illustrating the wire and forms no part of the claimed design.

1 Claim, 3 Drawing Sheets



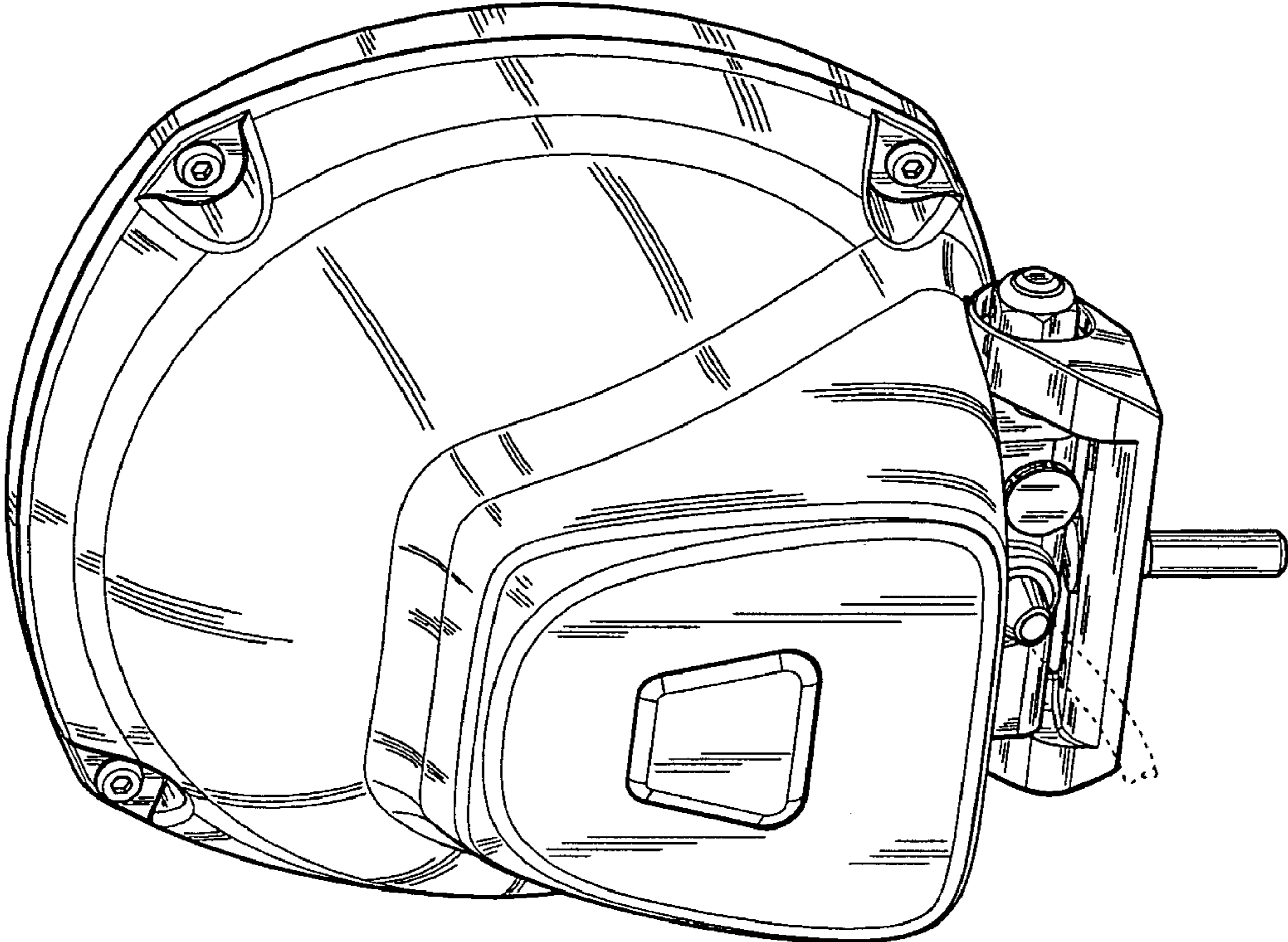


Fig 2

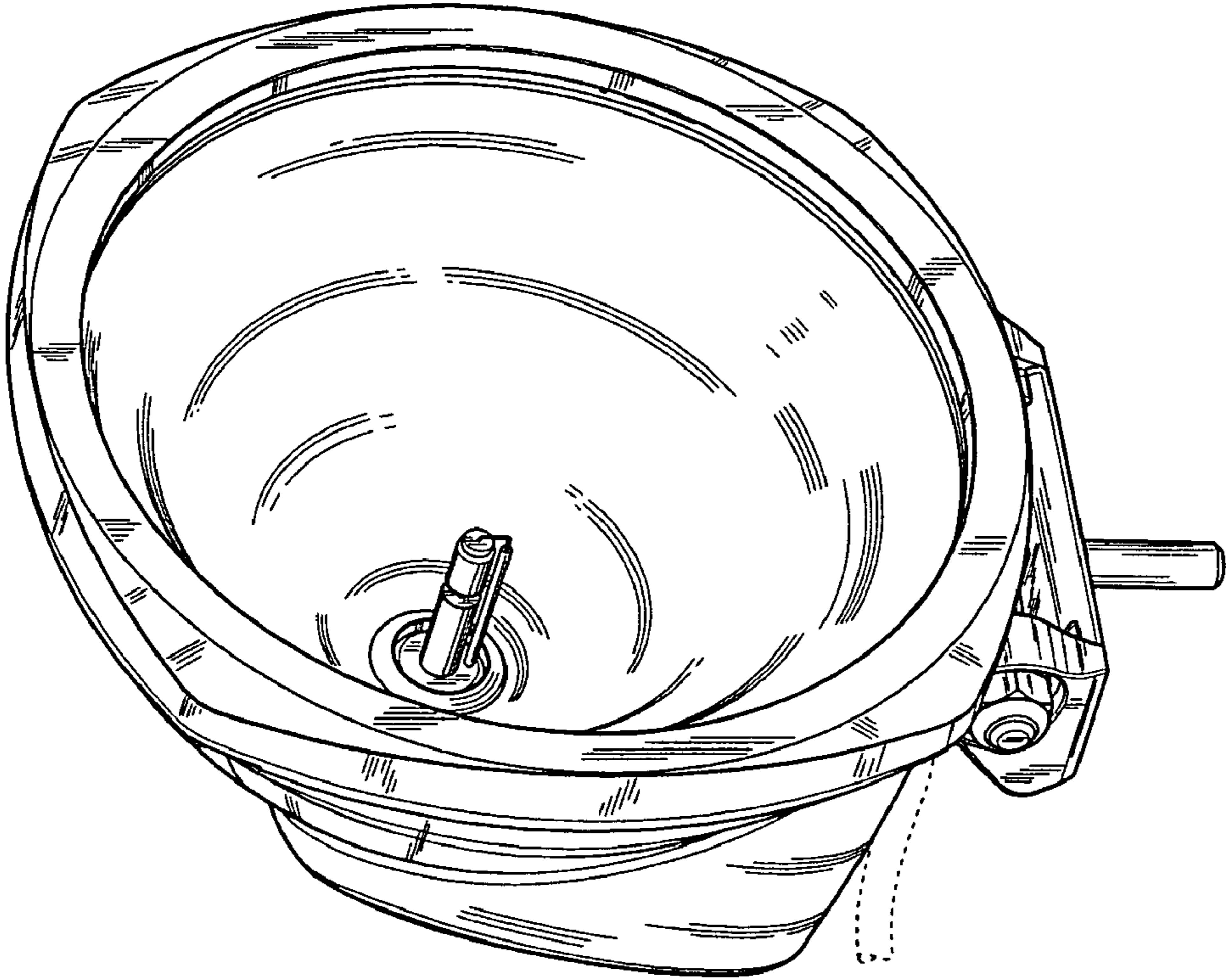


Fig 1

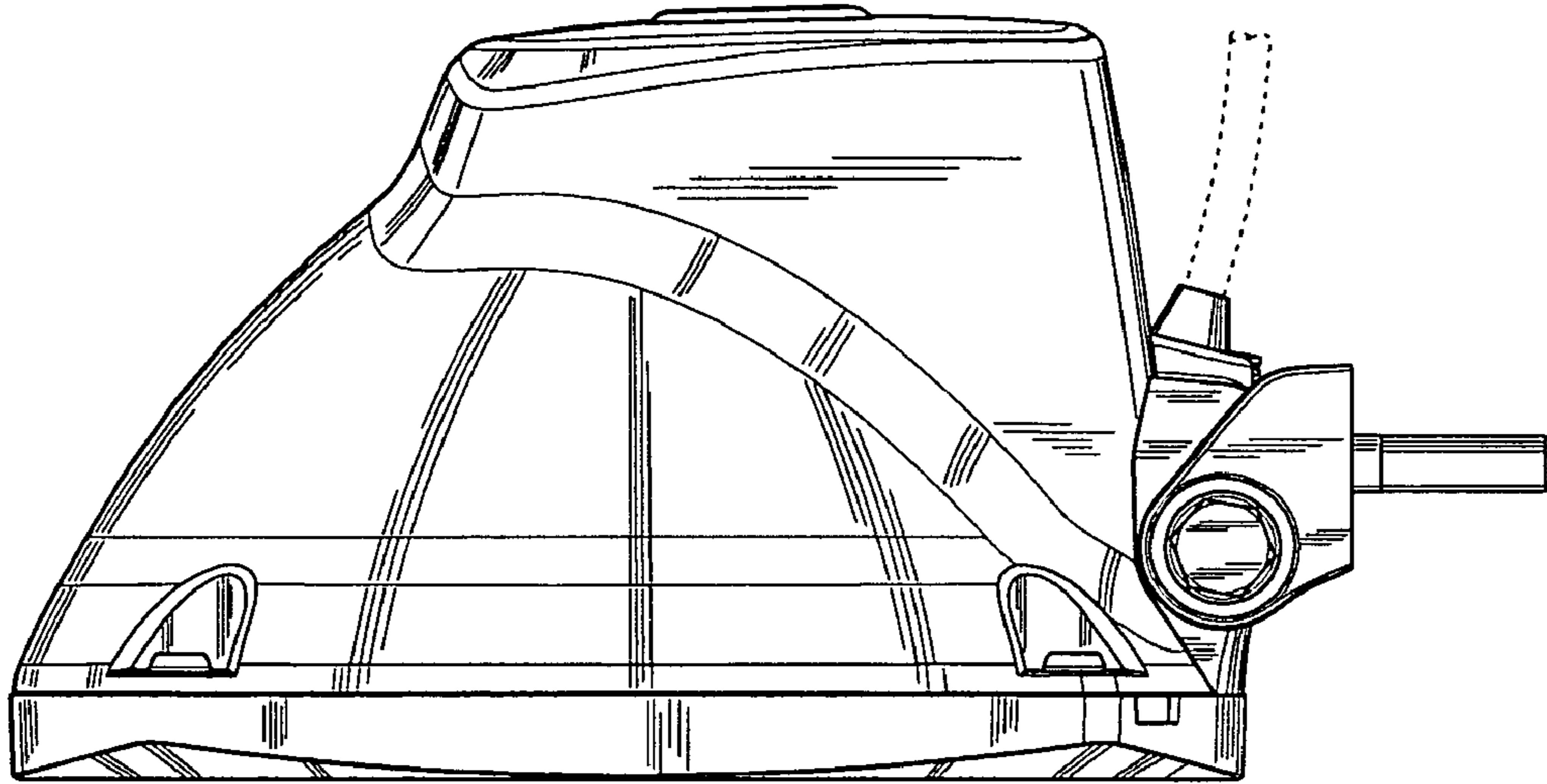


Fig 4

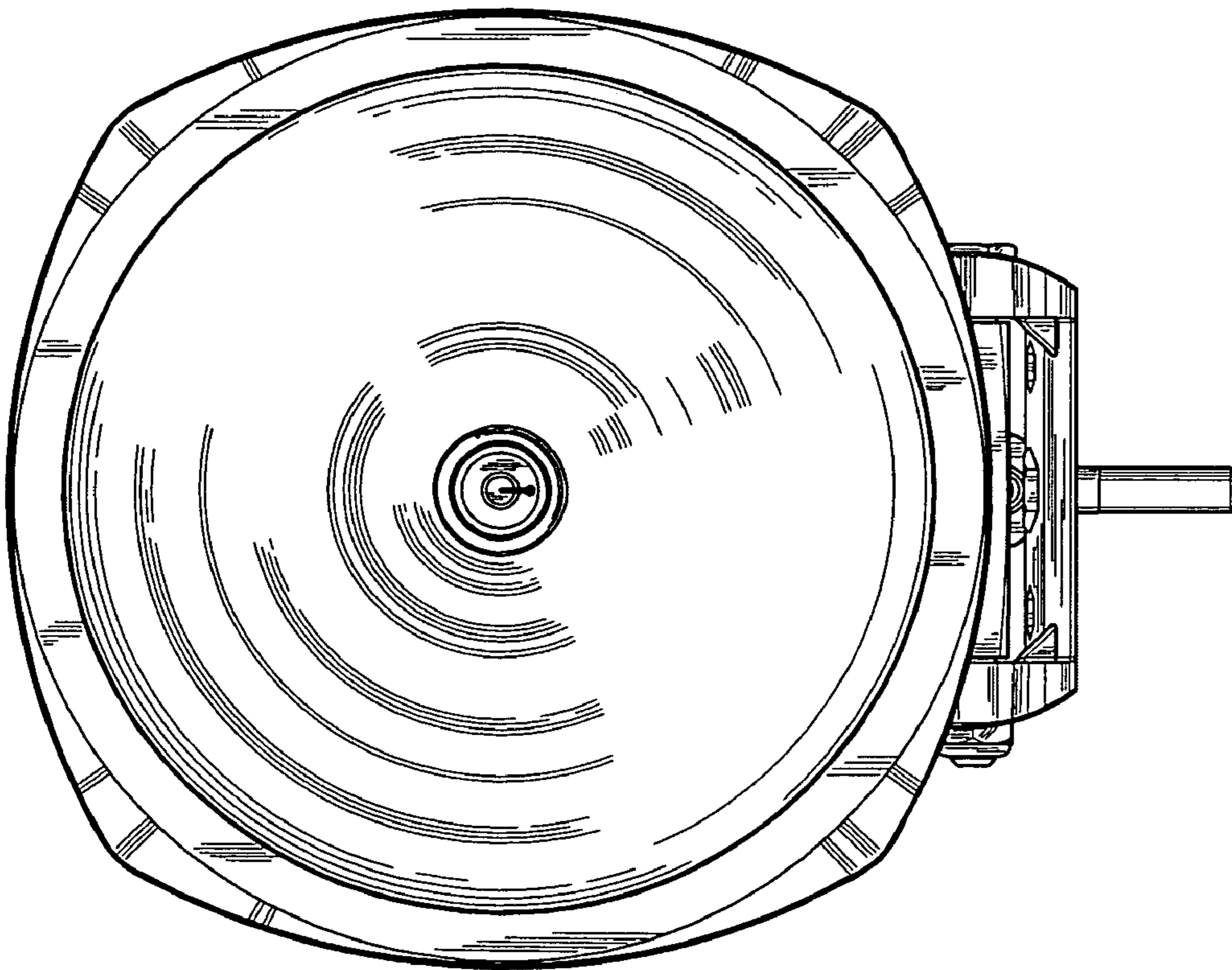


Fig 3

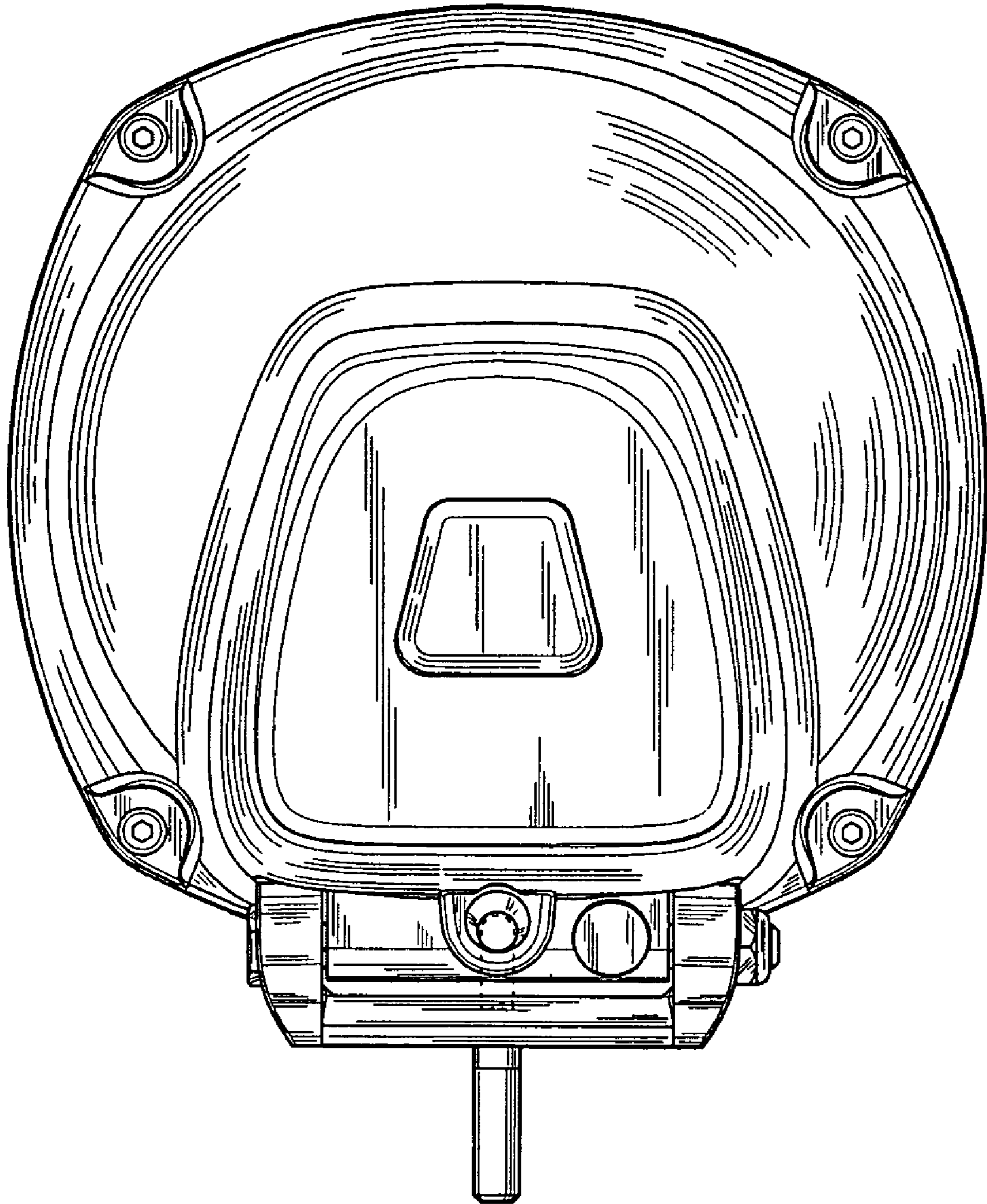


Fig 5

UNITED STATES PATENT AND TRADEMARK OFFICE
CERTIFICATE OF CORRECTION

PATENT NO. : Des. 585,575 S
APPLICATION NO. : 29/307254
DATED : January 27, 2009
INVENTOR(S) : Trevor Crispin et al.

Page 1 of 1

It is certified that error appears in the above-identified patent and that said Letters Patent is hereby corrected as shown below:

Title page

Please correct the CLAIM section as follows:

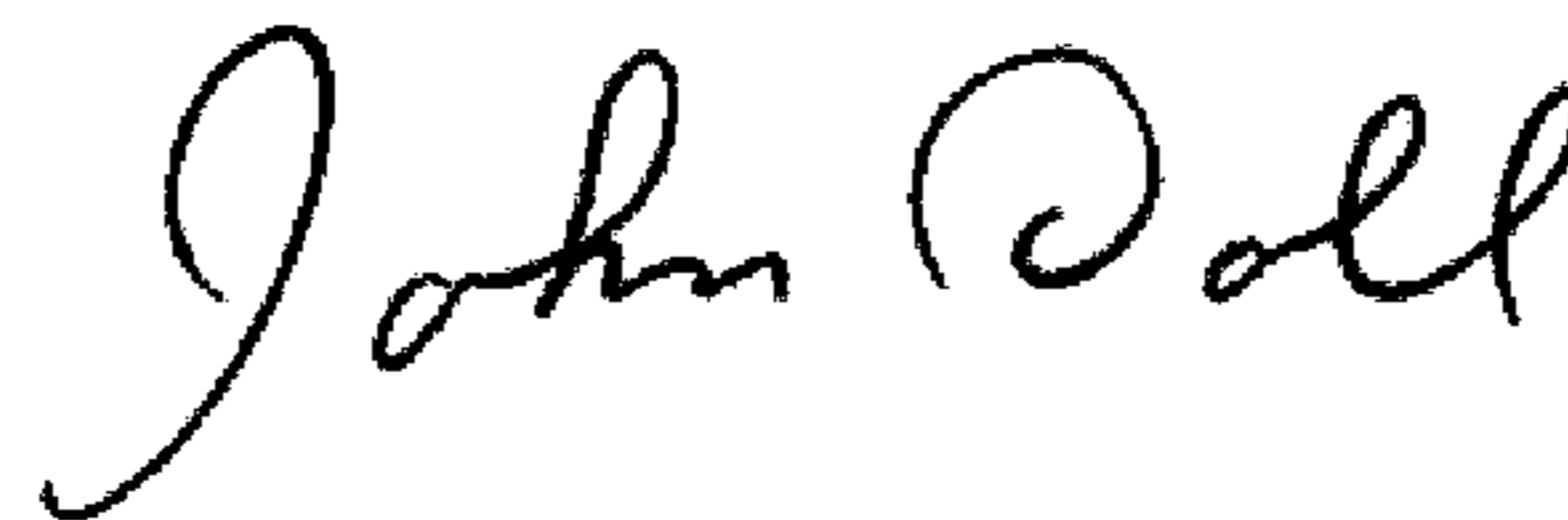
--vehicle light; as shown-- to --Vehicle Light as shown--

Please correct FIG. 4 in the DESCRIPTION section as follows:

--vehicle light; while; and,-- to --vehicle light; while;--

Signed and Sealed this

Twelfth Day of May, 2009



JOHN DOLL
Acting Director of the United States Patent and Trademark Office