



US00D585574S

(12) **United States Design Patent**
Hawass

(10) **Patent No.:** **US D585,574 S**
(45) **Date of Patent:** **** Jan. 27, 2009**

(54) **LIGHT-SOCKET-TYPE PILLAR CANDLE
HOLDER**

6,929,380 B2 8/2005 Logan et al.
D516,232 S 2/2006 Hawass
D524,954 S 7/2006 Hawass
D550,864 S * 9/2007 Hernandez et al. D26/2

(76) **Inventor:** **Nour-El-Din Hawass**, 4 Lady Slipper
Drive, Halifax, Nova Scotia (CA) B3M
3R5

* cited by examiner

(**) **Term:** **14 Years**

Primary Examiner—Robert M Spear
Assistant Examiner—Ania K Dworzecka
(74) *Attorney, Agent, or Firm*—Mario Theriault

(21) **Appl. No.:** **29/309,253**

(22) **Filed:** **Jul. 14, 2008**

(57) **CLAIM**

(51) **LOC (9) Cl.** **26-01**

The ornamental design for a light-socket-type pillar candle holder, as shown and described.

(52) **U.S. Cl.** **D26/9**

(58) **Field of Classification Search** D26/9,
D26/10, 14, 20, 11, 4, 5; 431/297
See application file for complete search history.

DESCRIPTION

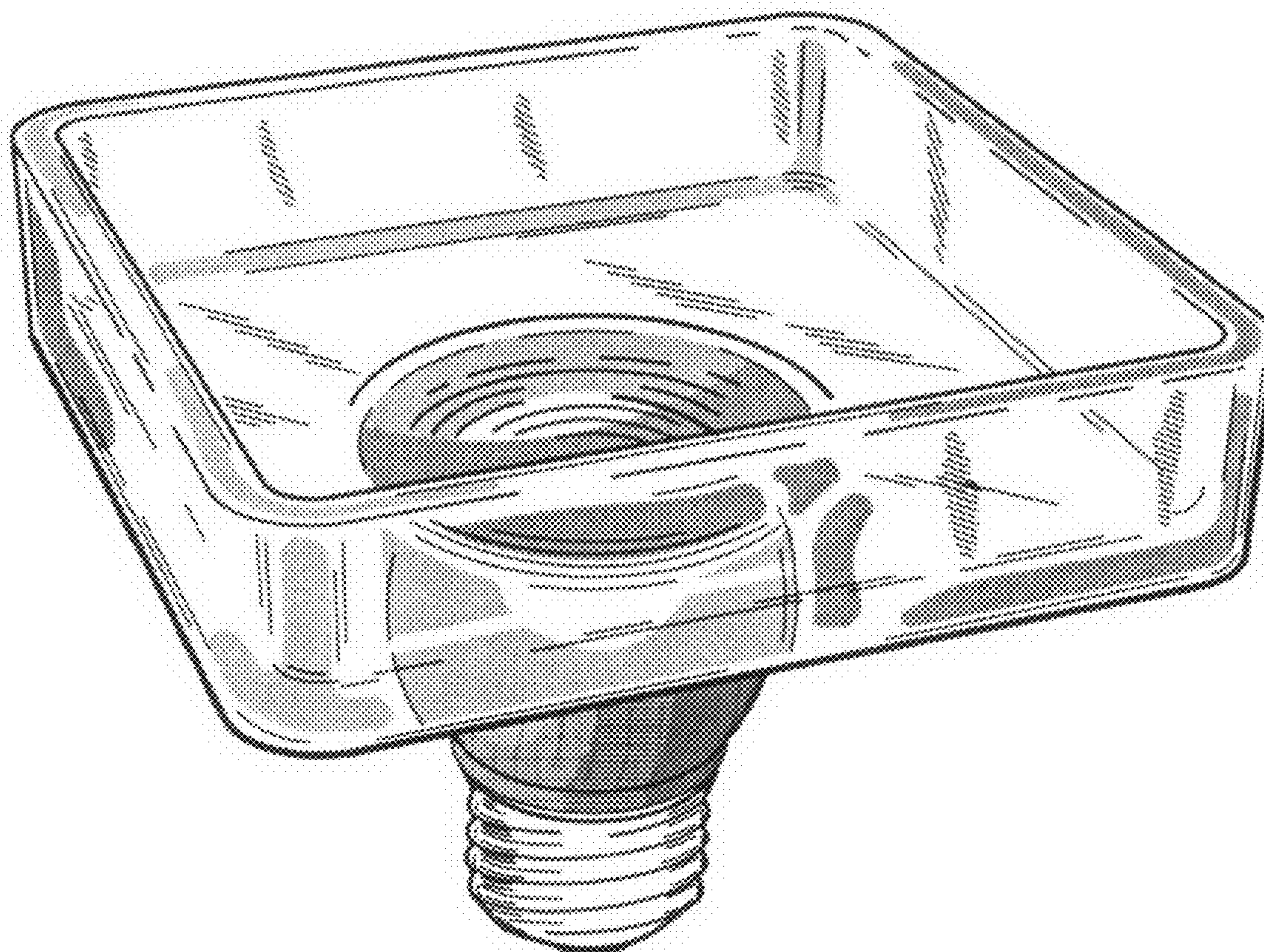
FIG. 1 is a perspective front and top view of a light-socket-type pillar candle holder, showing my new design;
FIG. 2 is a front view thereof, the rear view is a mirror image;
FIG. 3 is a right side view thereof, the left side view is a mirror image;
FIG. 4 is a bottom view thereof; and,
FIG. 5 is a top view thereof.

(56) **References Cited**

U.S. PATENT DOCUMENTS

2,520,691	A	8/1950	Otis
2,569,078	A	9/1951	Silver et al.
3,855,464	A	12/1974	Angelo
5,482,456	A	1/1996	Jwayad et al.
D464,446	S	10/2002	Tsai

1 Claim, 2 Drawing Sheets



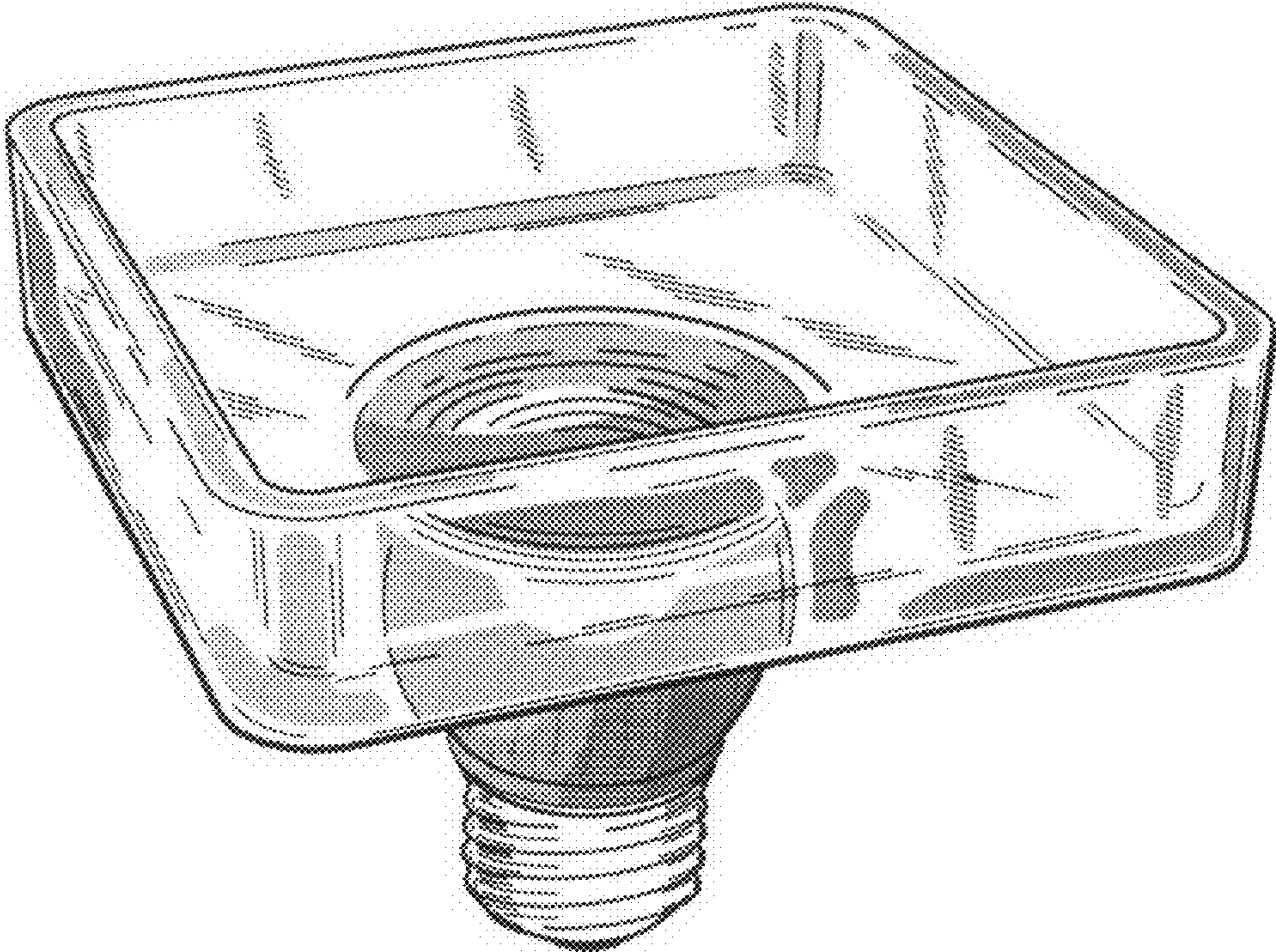


FIG. 1

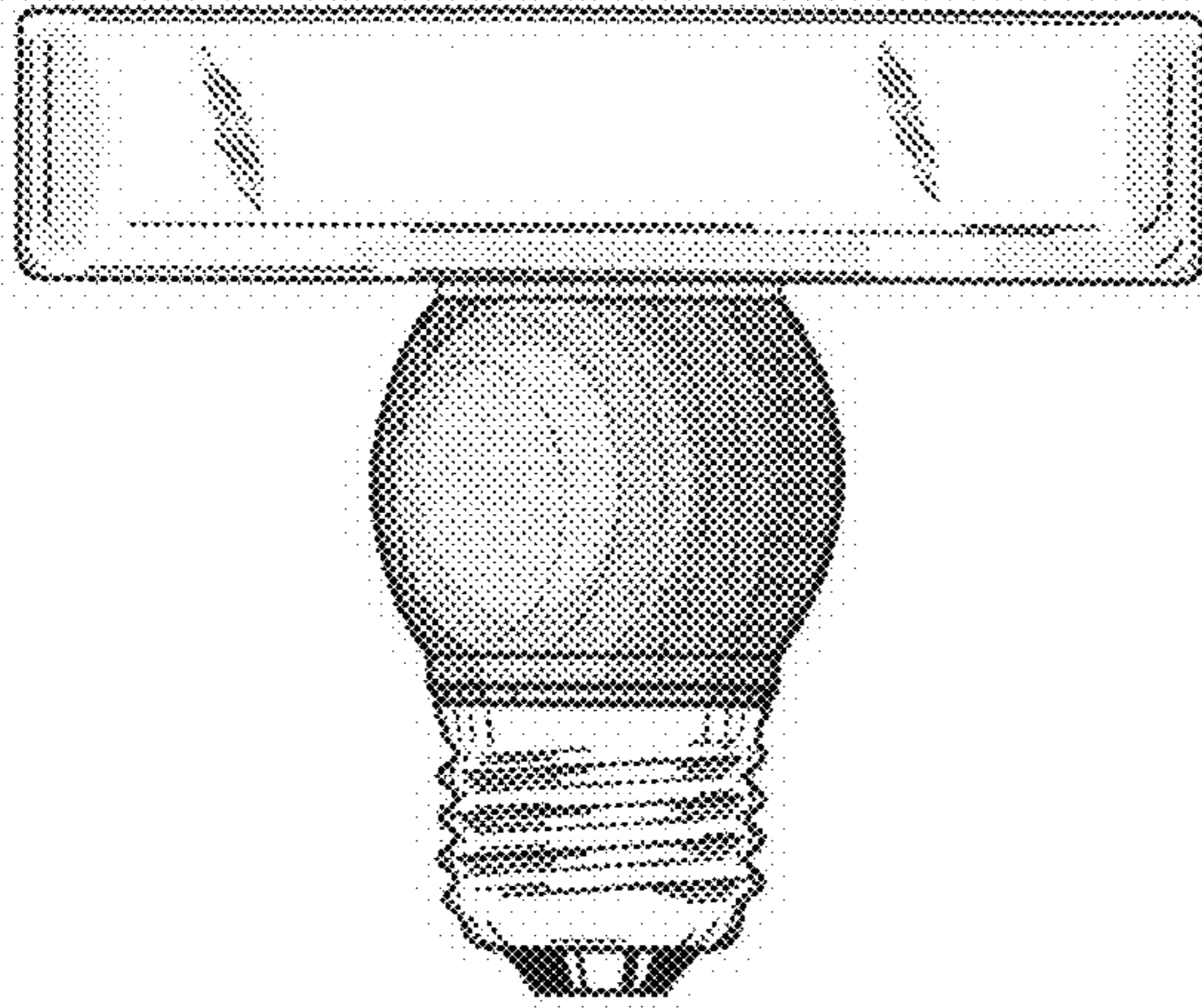


FIG. 2

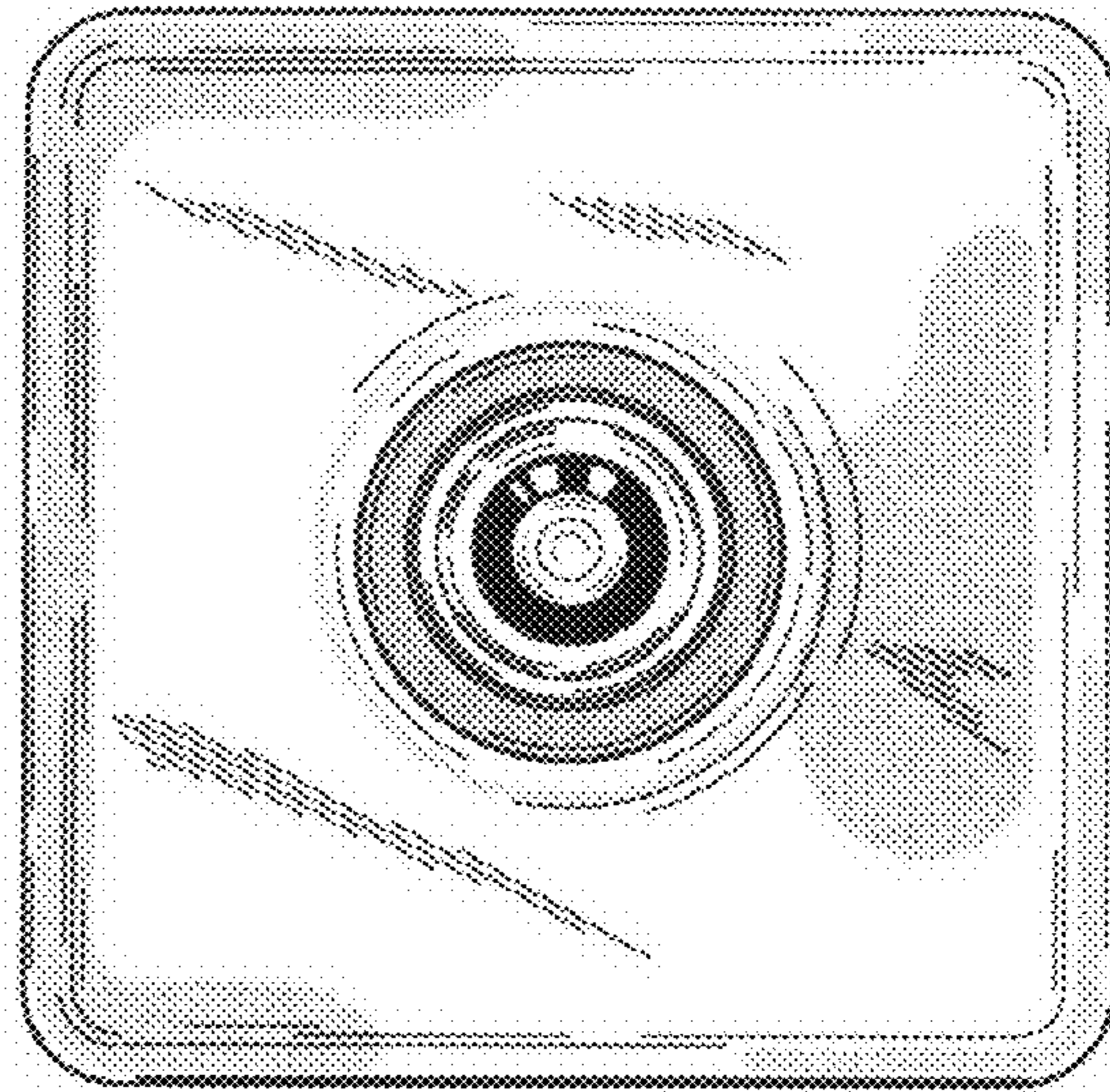


FIG. 4

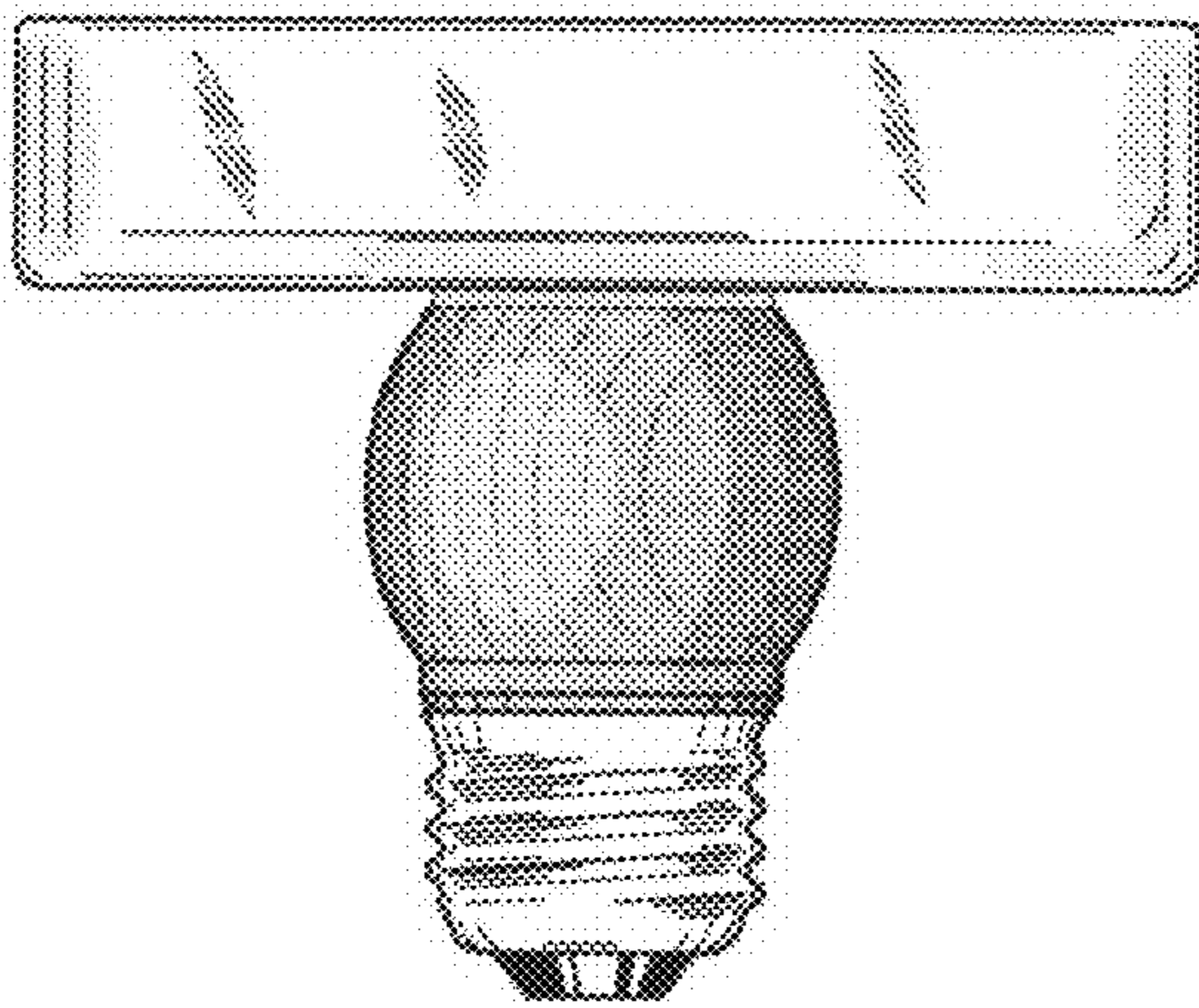


FIG. 3

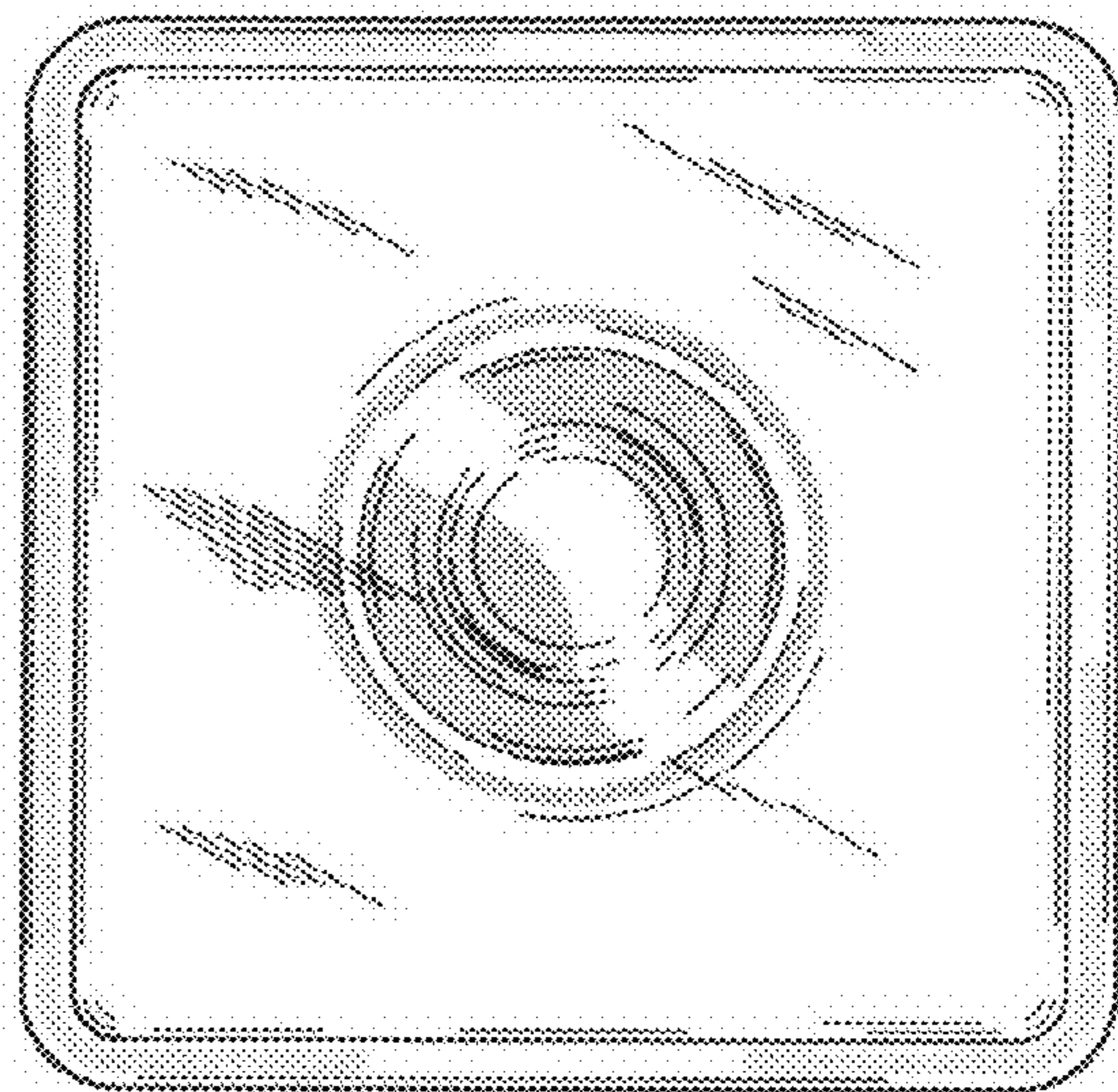


FIG. 5