



US00D585561S

(12) **United States Design Patent**  
**Py et al.**

(10) **Patent No.:** **US D585,561 S**  
(45) **Date of Patent:** **\*\* Jan. 27, 2009**

(54) **VIAL**

(75) Inventors: **Daniel Py**, Stamford, CT (US); **Norbert M. Assion**, Shelton, CT (US); **Julian V. Chan**, Spring Valley, NY (US)

(73) Assignee: **Medical Instill Technologies, Inc.**, New Milford, CT (US)

(\*\*) Term: **14 Years**

(21) Appl. No.: **29/303,247**

(22) Filed: **Feb. 4, 2008**

**Related U.S. Application Data**

(62) Division of application No. 29/265,237, filed on Aug. 28, 2006, now Pat. No. Des. 561,907, which is a division of application No. 29/198,310, filed on Jan. 27, 2004, now Pat. No. Des. 527,463.

(51) **LOC (9) Cl.** ..... **24-04**

(52) **U.S. Cl.** ..... **D24/224**

(58) **Field of Classification Search** ..... D24/224–226, D24/215, 121; D9/445, 44, 434; 422/99–102; 604/414–415; 215/255, 281, 247, 249  
See application file for complete search history.

(56) **References Cited**

**U.S. PATENT DOCUMENTS**

2,503,147	A	4/1950	Applezweig
3,092,278	A	6/1963	Järnhäll
3,340,671	A	9/1967	Loo
3,685,248	A	8/1972	Godelaide

*Primary Examiner*—Jennifer Rivard

*Assistant Examiner*—Melanie Levy

(74) *Attorney, Agent, or Firm*—McCarter & English, LLP

(57) **CLAIM**

The ornamental design for a vial, as shown and described.

**DESCRIPTION**

FIG. 1 is a top perspective view of a first embodiment of a vial showing our new design;

FIG. 2 is a front elevational view of the vial of FIG. 1;

FIG. 3 is a rear elevational view thereof;

FIG. 4 is a left side elevational view thereof;

FIG. 5 is a right side elevational view thereof;

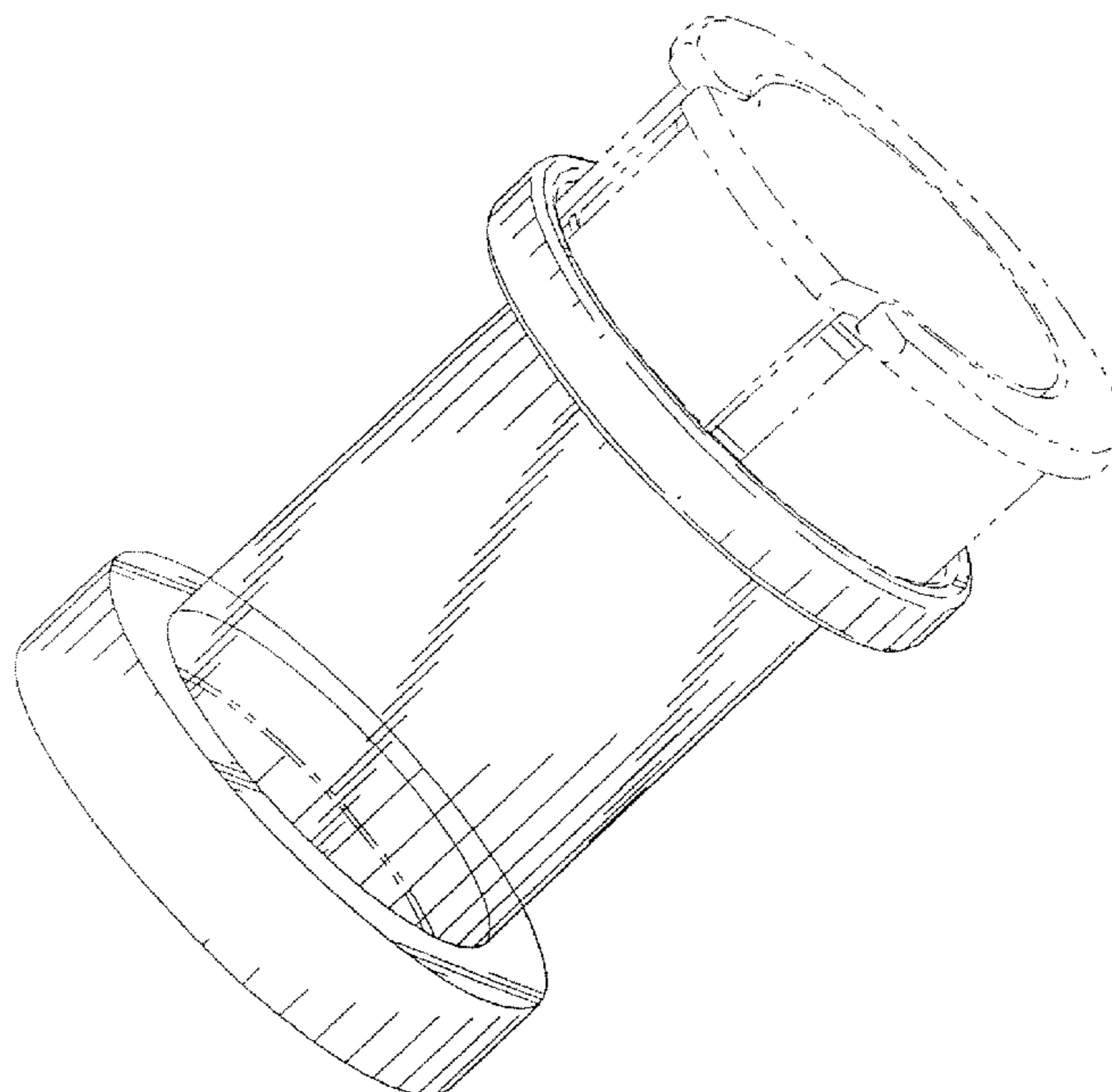
FIG. 6 is a top plan view thereof; and,

FIG. 7 is a bottom plan view thereof.

The broken lines in the figures show structure or boundaries that are not part of the claimed design, but rather show the environment in which the design is associated, or show portions of the article in which the design is embodied or applied to that are not considered part of the claimed design. The shading and tones, and any variations thereof, shown in the drawings do not imply any specific colors or color contrast scheme in the article to be patented. In addition, the surface coloration and tones, and the variations thereof, shown in the informal drawings form no part of the claimed design. The diagonal lines (or shading lines) are intended to show that the respective portion(s) of the vial are transparent or substantially transparent, whereas the claimed portion(s) of the vial that do not include such lines are opaque or substantially opaque.

(Continued)

**1 Claim, 7 Drawing Sheets**



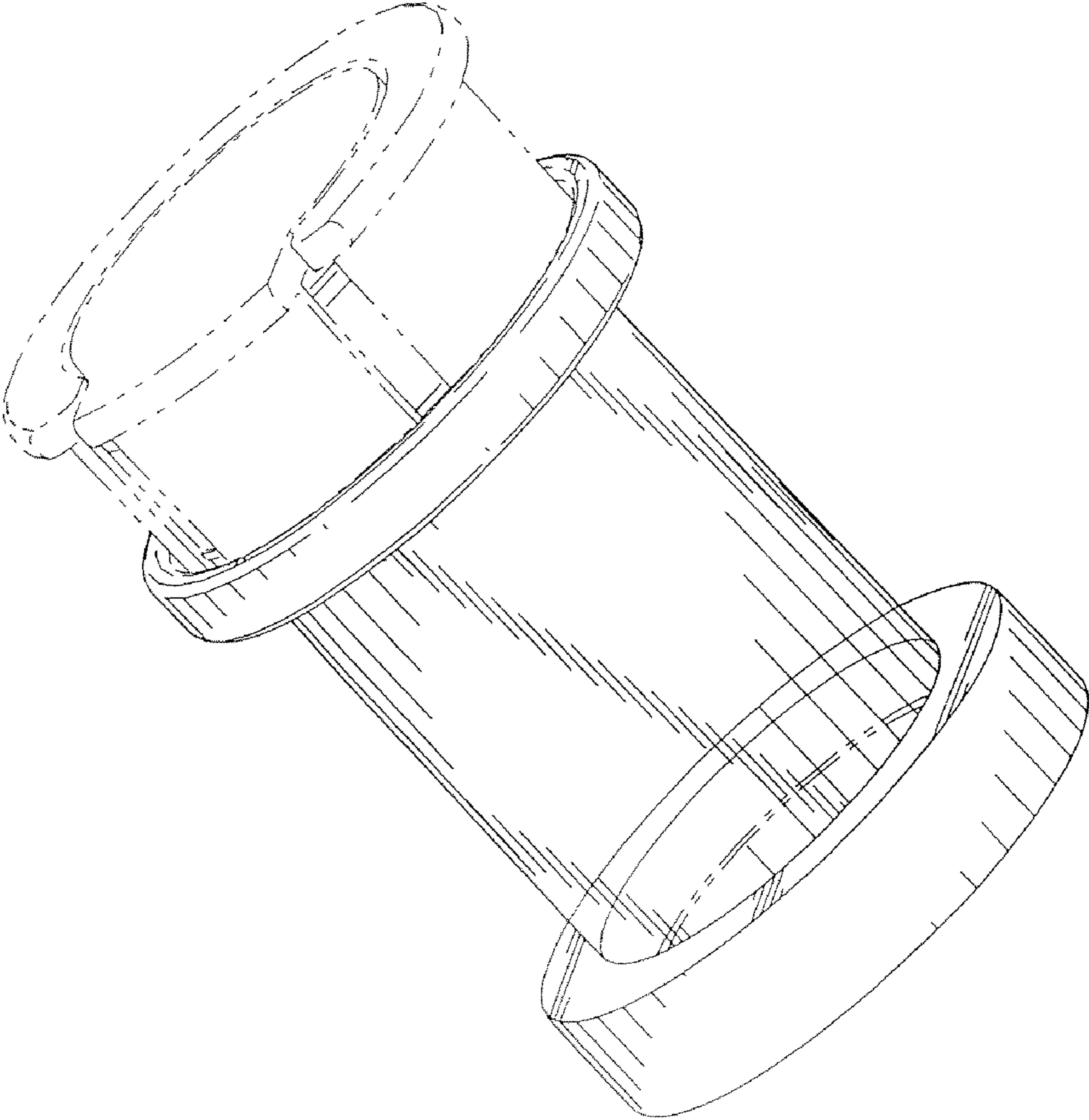
# US D585,561 S

Page 2

---

U.S. PATENT DOCUMENTS								
4,171,057	A *	10/1979	Gach .....	D24/224	D383,214 S *	9/1997	Brennan .....	D24/224
4,250,611	A	2/1981	Wong		D389,586 S *	1/1998	Brennan .....	D24/224
D263,504	S *	3/1982	Fowles et al. ....	D24/121	5,718,348 A	2/1998	Manera	
4,366,812	A	1/1983	Matakura et al.		5,744,087 A	4/1998	Williams et al.	
4,390,111	A	6/1983	Robbins et al.		5,816,772 A	10/1998	Py	
D279,651	S *	7/1985	Freeman .....	D9/503	5,823,373 A	10/1998	Sudo et al.	
4,664,275	A	5/1987	Kasai et al.		5,902,298 A	5/1999	Niedospial et al.	
4,703,781	A	11/1987	Meyer et al.		5,931,828 A	8/1999	Durkee	
4,842,028	A	6/1989	Kaufman et al.		5,971,181 A	10/1999	Niedospial, Jr. et al.	
5,085,332	A	2/1992	Gettig et al.		6,006,932 A	12/1999	Morin	
5,088,612	A	2/1992	Storar et al.		D420,744 S *	2/2000	Ostgaard et al. ....	D24/224
5,088,995	A	2/1992	Packard et al.		6,068,150 A	5/2000	Mitchell et al.	
5,129,212	A	7/1992	Duffey et al.		6,070,748 A	6/2000	Sotrar	
5,247,015	A	9/1993	Bayan		6,095,355 A	8/2000	Jessen et al.	
5,341,854	A	8/1994	Zezulka et al.		6,145,688 A	11/2000	Smith	
5,344,036	A	9/1994	Stanescu et al.		D439,345 S *	3/2001	Herchenbach et al. ....	D24/224
5,379,908	A	1/1995	Rohe		6,223,918 B1	5/2001	Browne	
5,411,065	A	5/1995	Meador et al.		6,234,335 B1	5/2001	Gee et al.	
5,464,111	A	11/1995	Vacek et al.		6,382,441 B1	5/2002	Carano	
5,484,566	A	1/1996	Gabbard		2001/0041872 A1	11/2001	Paul, Jr.	
5,514,339	A	5/1996	Leopardi et al.		2002/0010995 A1	1/2002	Thibault et al.	
5,549,141	A	8/1996	Meador et al.		2002/0023893 A1	2/2002	Sudo et al.	
5,641,004	A	6/1997	Py		2002/0029022 A1	3/2002	Naritomi et al.	

\* cited by examiner



**FIG. 1**

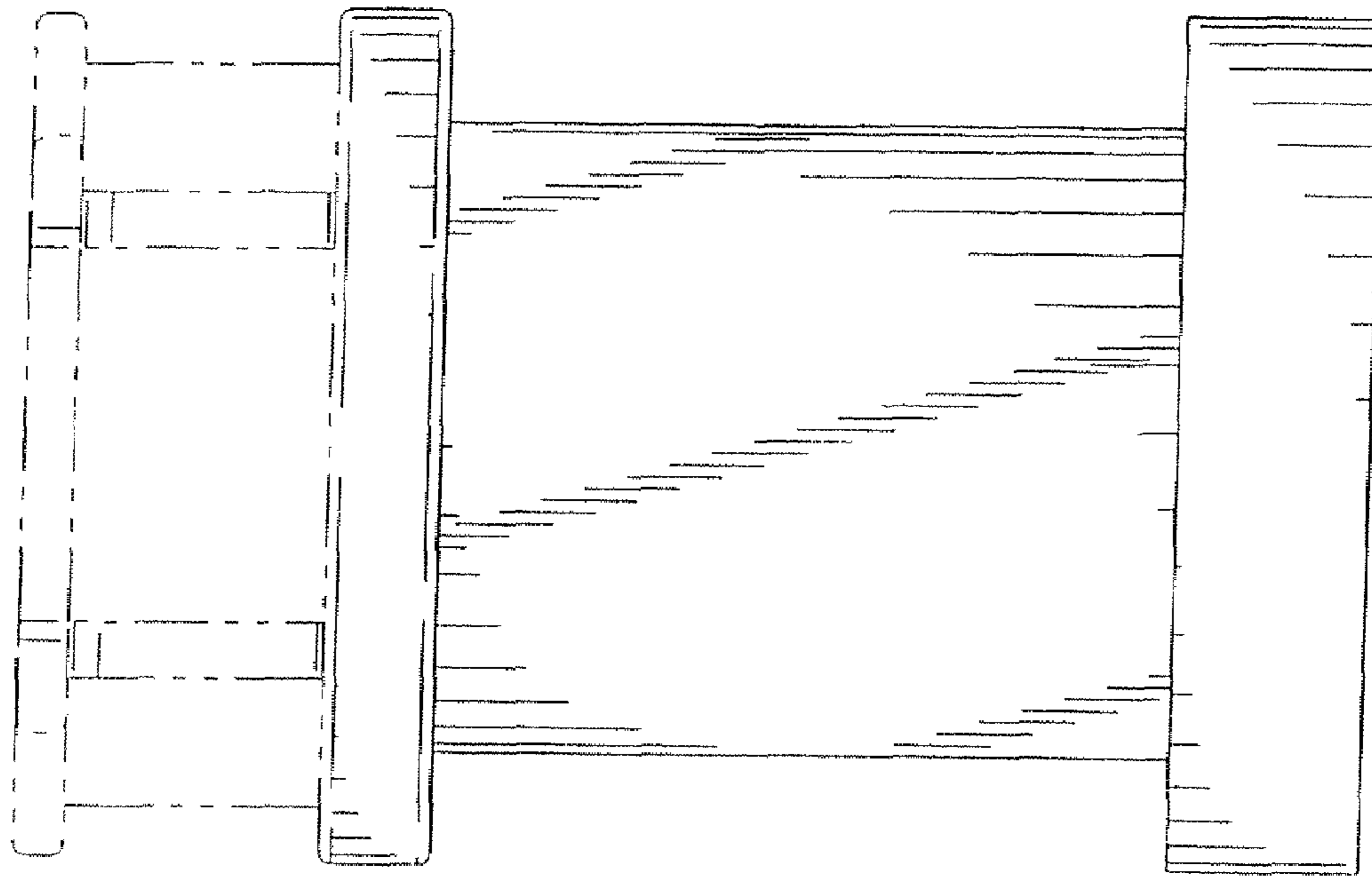


FIG. 2

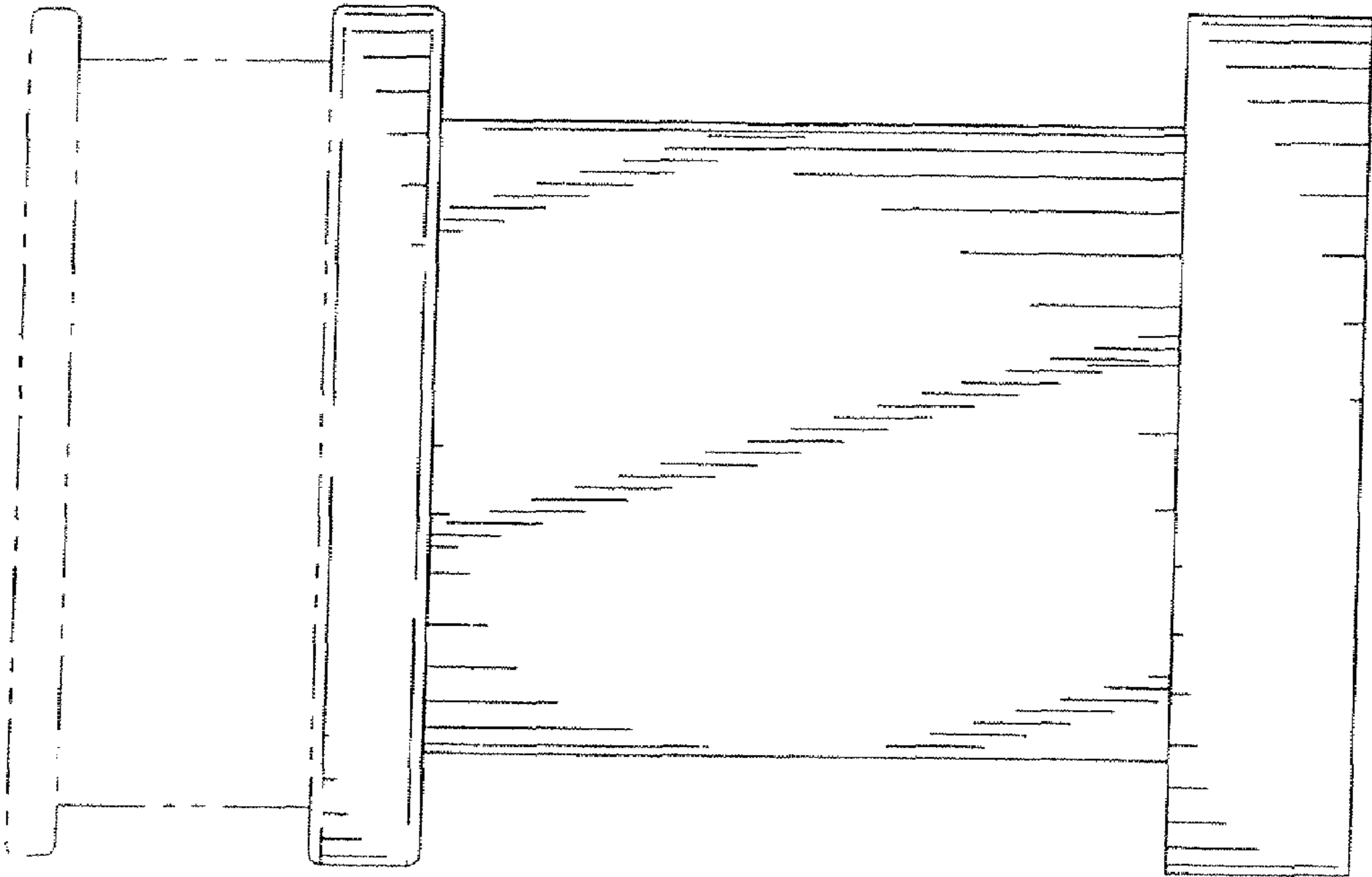


FIG. 3

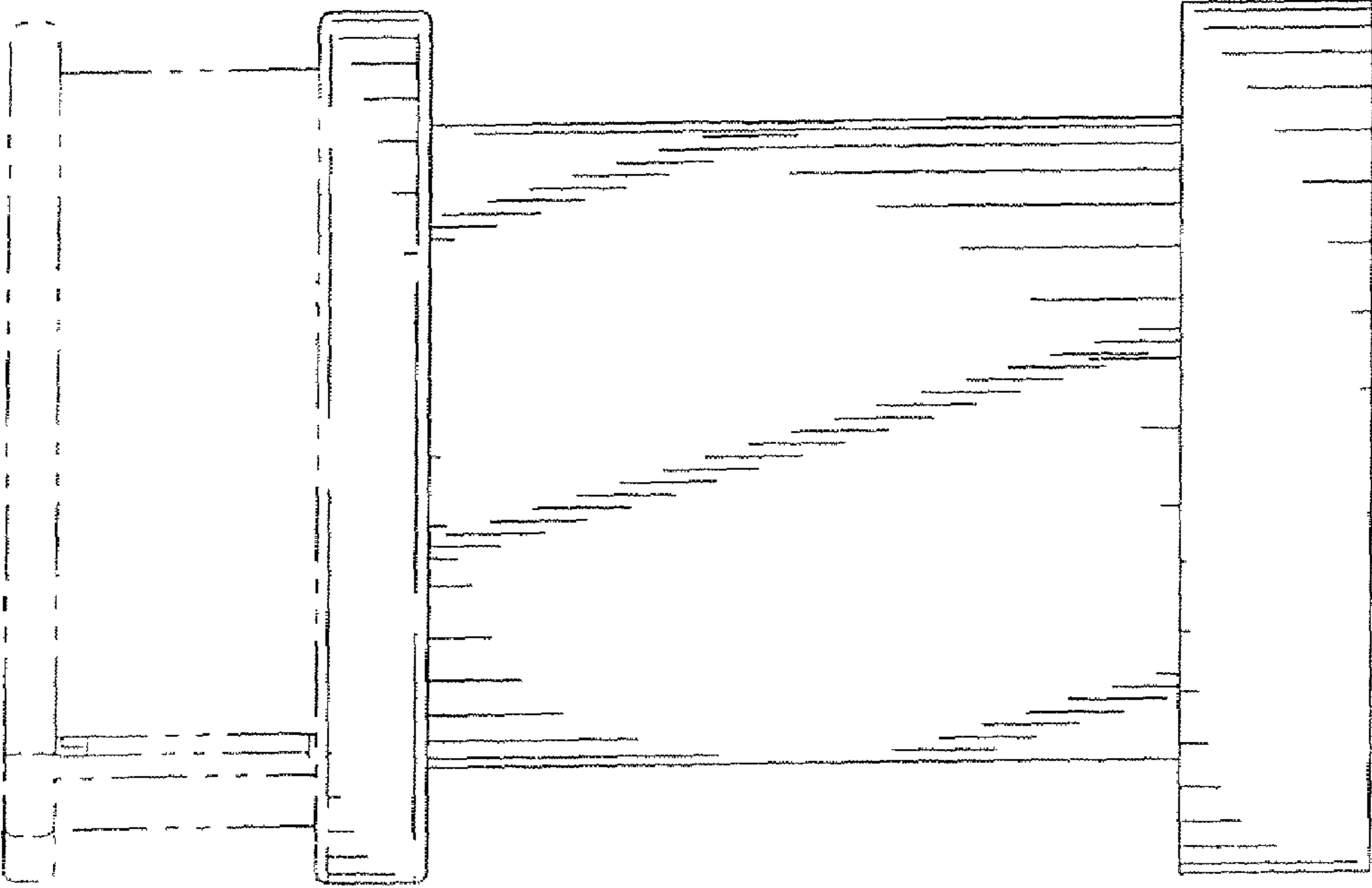


FIG. 4

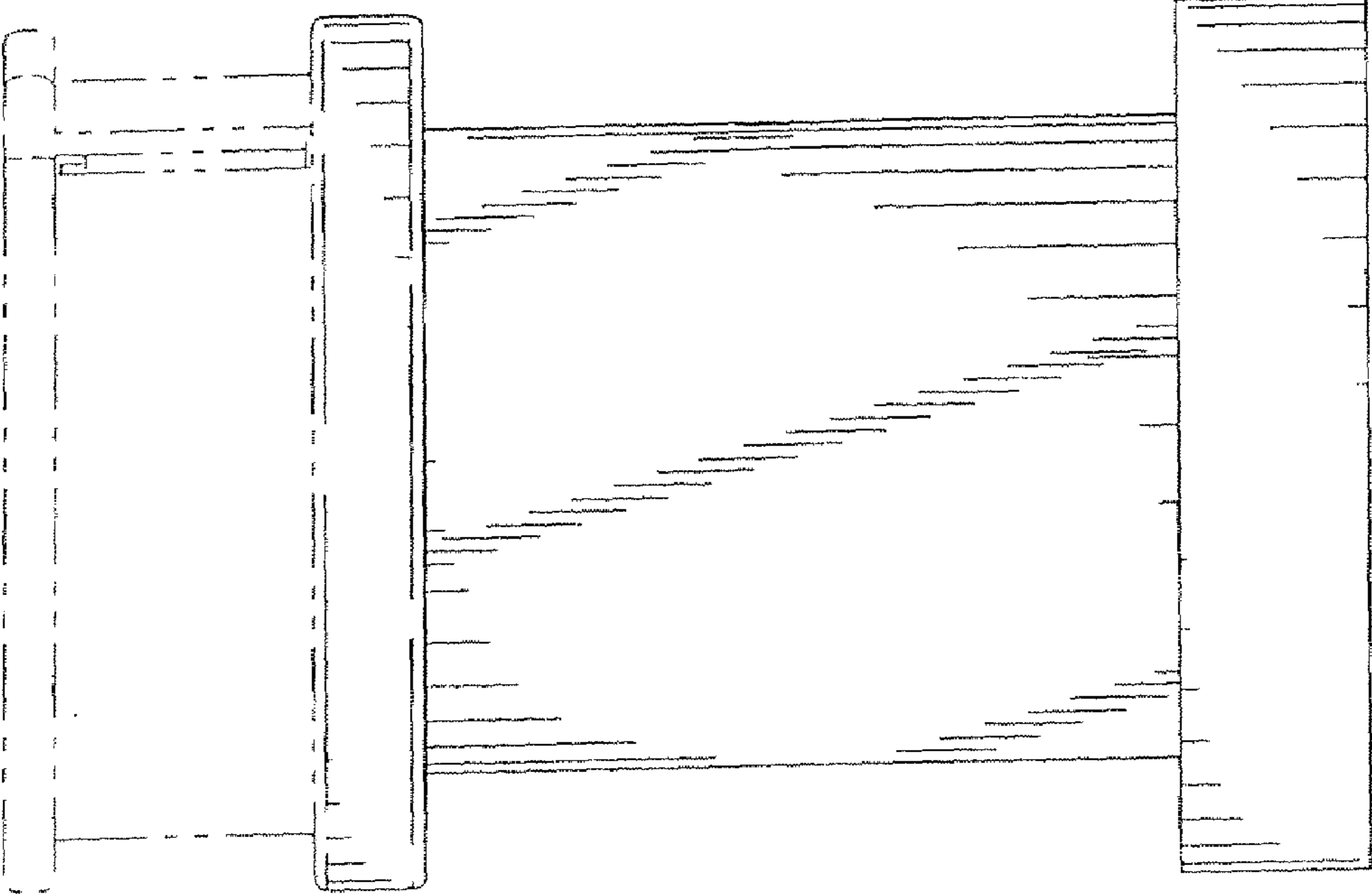


FIG. 5

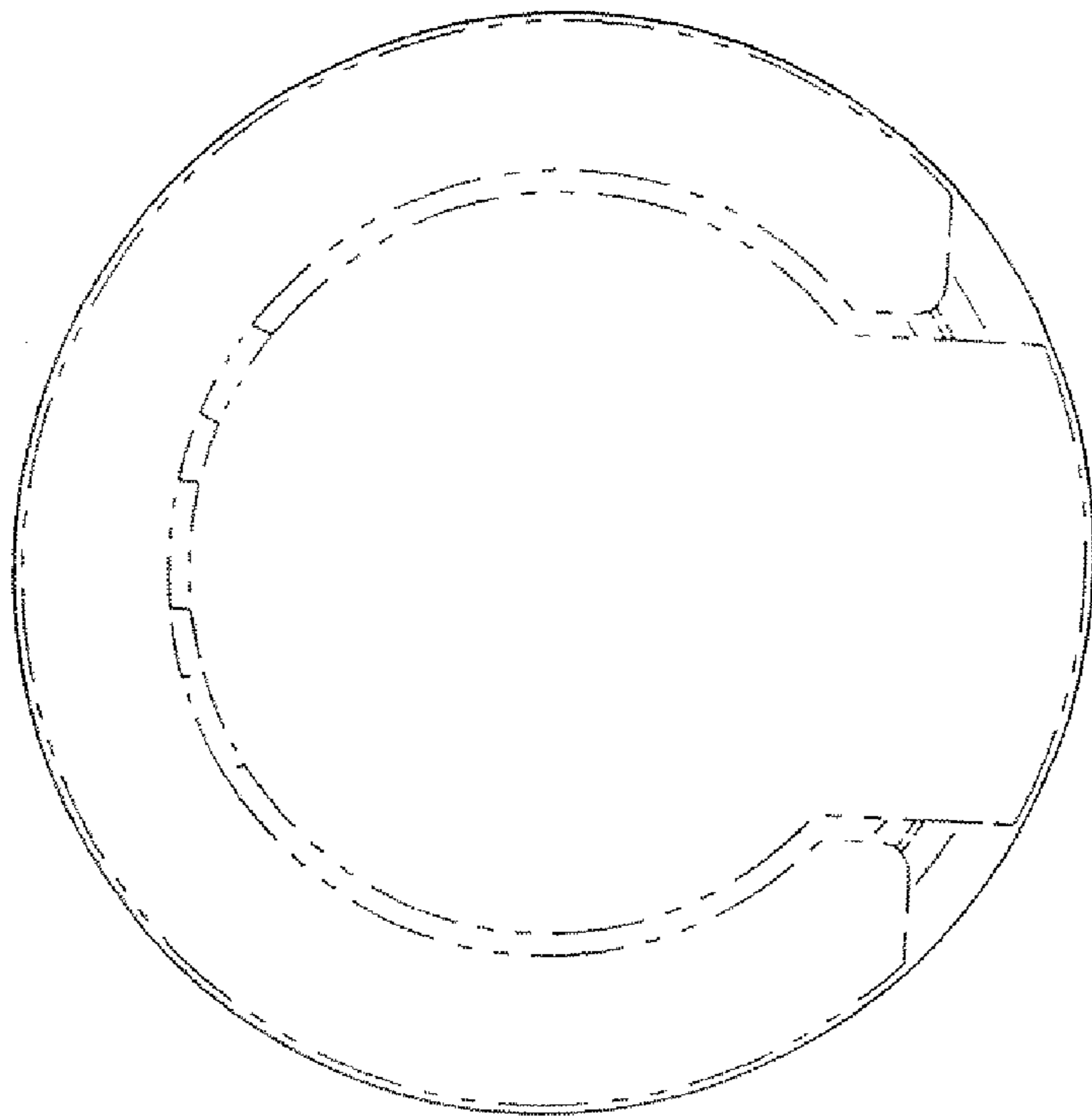


FIG. 6



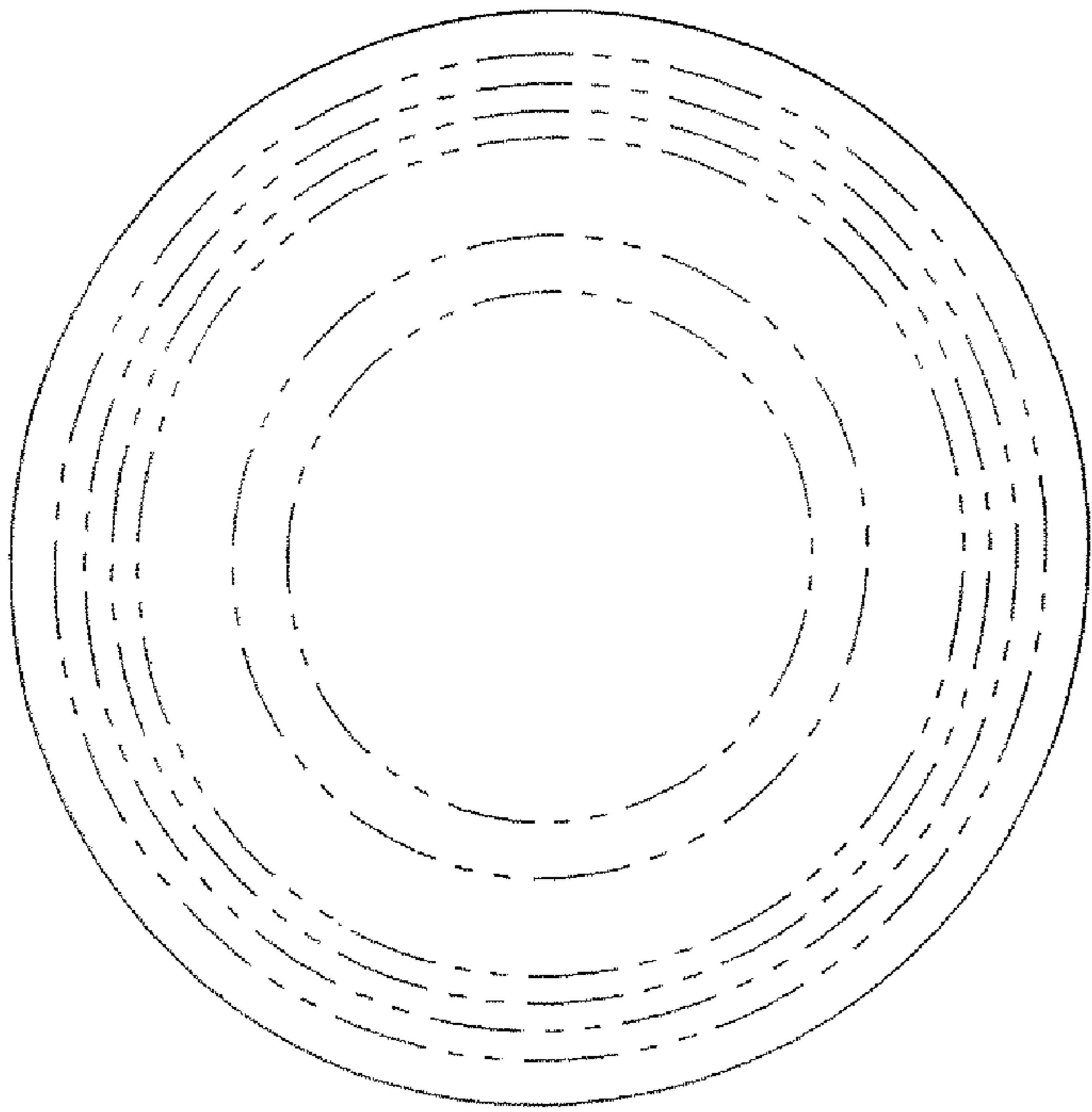


FIG. 7