



US00D585556S

(12) **United States Design Patent**
Kosaku

(10) **Patent No.:** **US D585,556 S**
(45) **Date of Patent:** **** Jan. 27, 2009**

(54) **PROBE CONNECTOR COVER FOR AN
ULTRASONIC DIAGNOSIS APPARATUS**

(75) Inventor: **Hideki Kosaku**, Nasushiobara (JP)

(73) Assignees: **Kabushiki Kaisha Toshiba**, Tokyo (JP);
Toshiba Medical Systems Corporation,
Tochigi-ken (JP)

(**) Term: **14 Years**

(21) Appl. No.: **29/278,115**

(22) Filed: **Mar. 20, 2007**

(30) **Foreign Application Priority Data**

Jan. 10, 2007 (JP) 2007-000197

(51) **LOC (9) Cl.** **24-02**

(52) **U.S. Cl.** **D24/186**

(58) **Field of Classification Search** D24/112,
D24/129, 138, 186; D3/203.1, 291, 318;
206/3; 224/216; 348/65, 75; 600/131-132,
600/134, 142, 160, 174, 453, 461-462

See application file for complete search history.

(56) **References Cited**

U.S. PATENT DOCUMENTS

3,757,933 A * 9/1973 Banta 206/3
D312,173 S * 11/1990 Smith et al. D3/291
D313,277 S * 12/1990 Haining D24/129

D321,252 S * 10/1991 Jepson et al. D24/112
D326,155 S * 5/1992 Boehringer et al. D24/129
D481,125 S * 10/2003 Hayamizu D24/138
D498,533 S * 11/2004 Hayamizu D24/138
D564,659 S * 3/2008 Hayashi D24/129
D564,660 S * 3/2008 Hayashi D24/138

* cited by examiner

Primary Examiner—Robert A. Delehanty

Assistant Examiner—Mark Cavanna

(74) *Attorney, Agent, or Firm*—Banner & Witcoff, Ltd.

(57) **CLAIM**

The ornamental design for a probe connector cover for an ultrasonic diagnosis apparatus, as shown and described.

DESCRIPTION

FIG. 1 is a front, top and right side perspective view of a probe connector cover for an ultrasonic diagnosis apparatus, showing my new design;

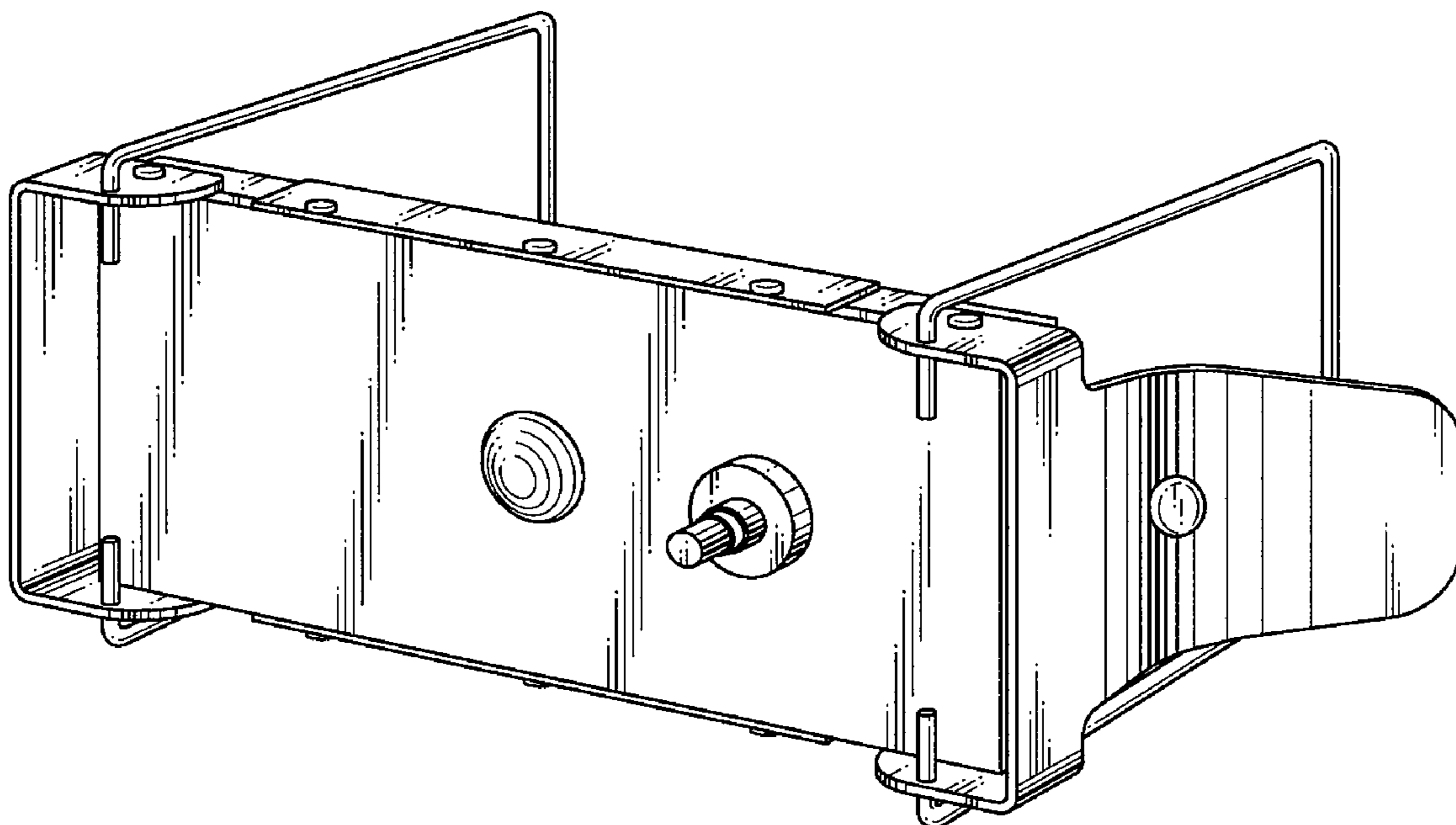
FIG. 2 is a front elevational view thereof;

FIG. 3 is a top plan view thereof; the opposite side being a mirror image thereof; and,

FIG. 4 is a right side elevational view thereof; the opposite side being a mirror image thereof.

The portions of the probe connector cover for an ultrasonic diagnosis apparatus not shown form no part of the claimed design.

1 Claim, 2 Drawing Sheets



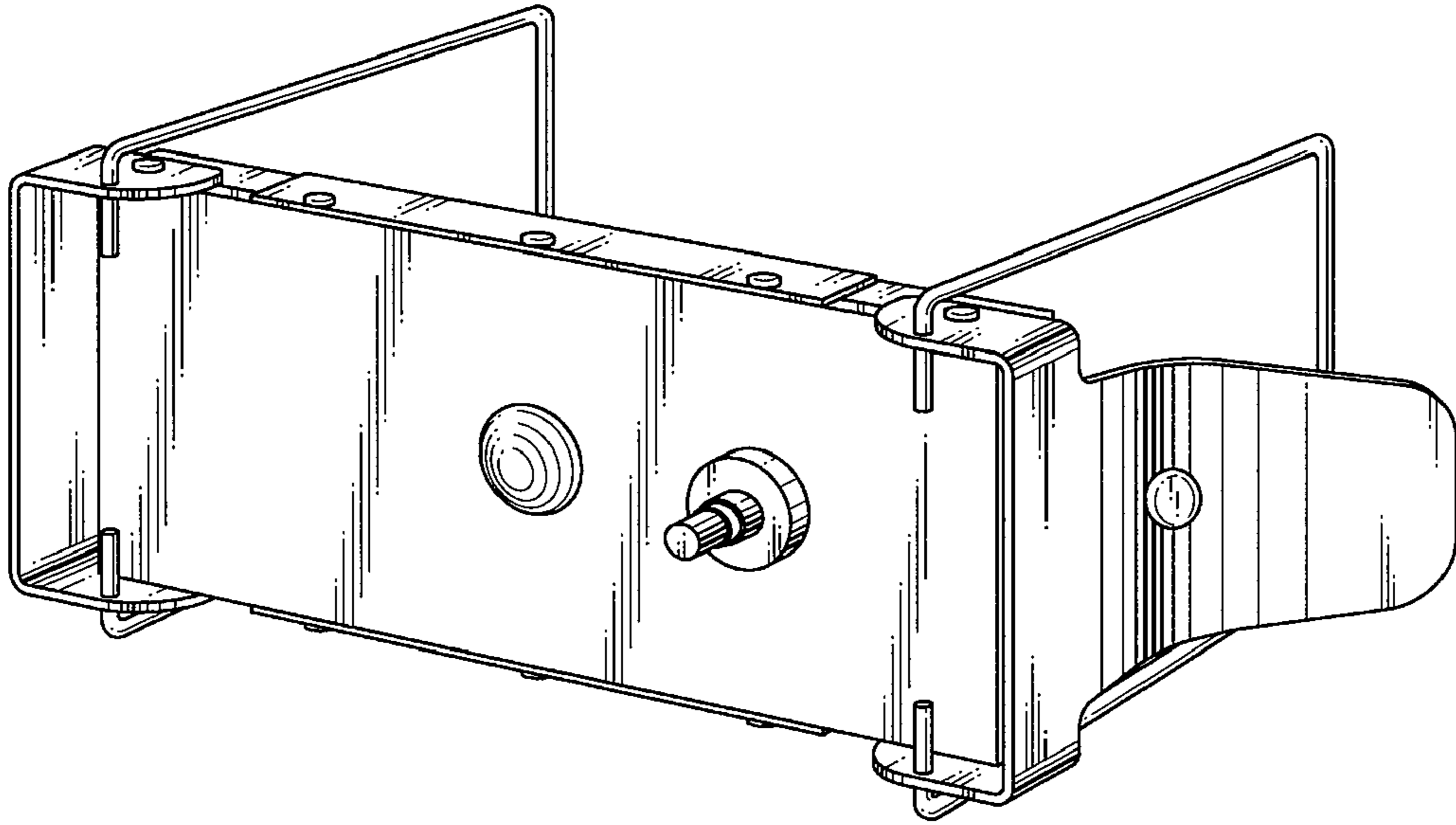


FIG. 1

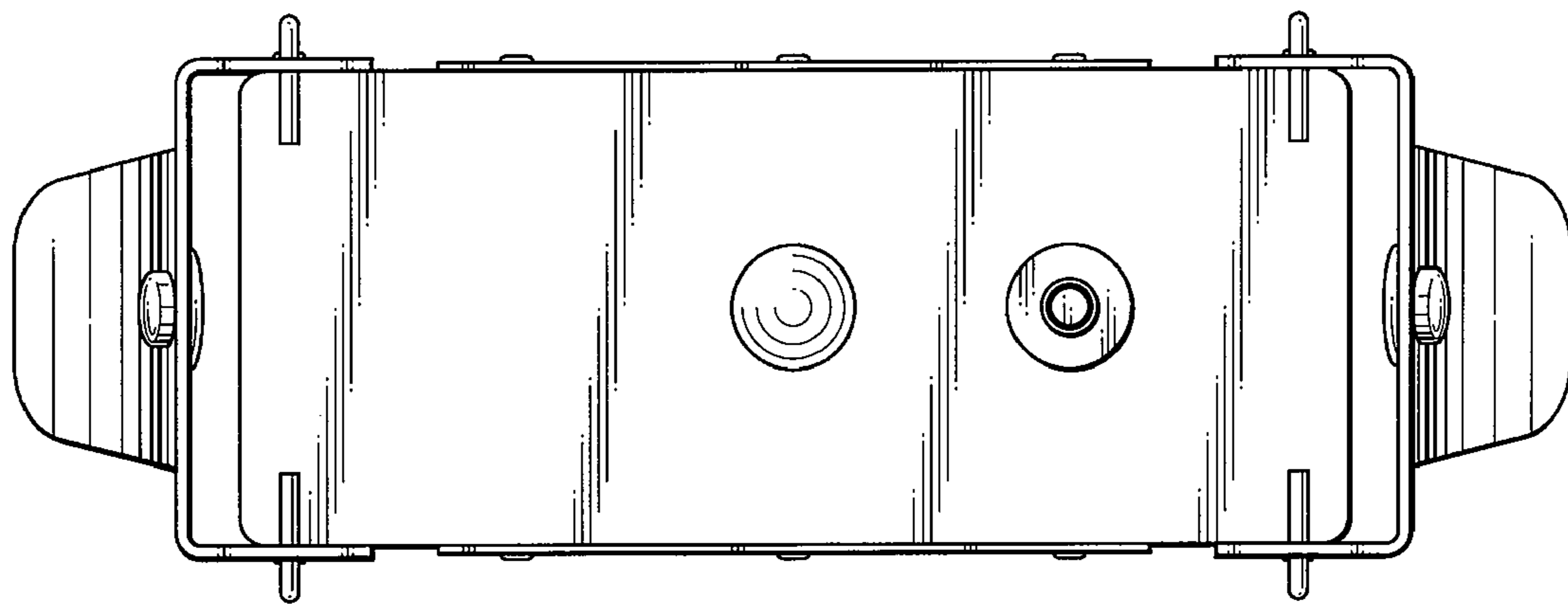


FIG. 2

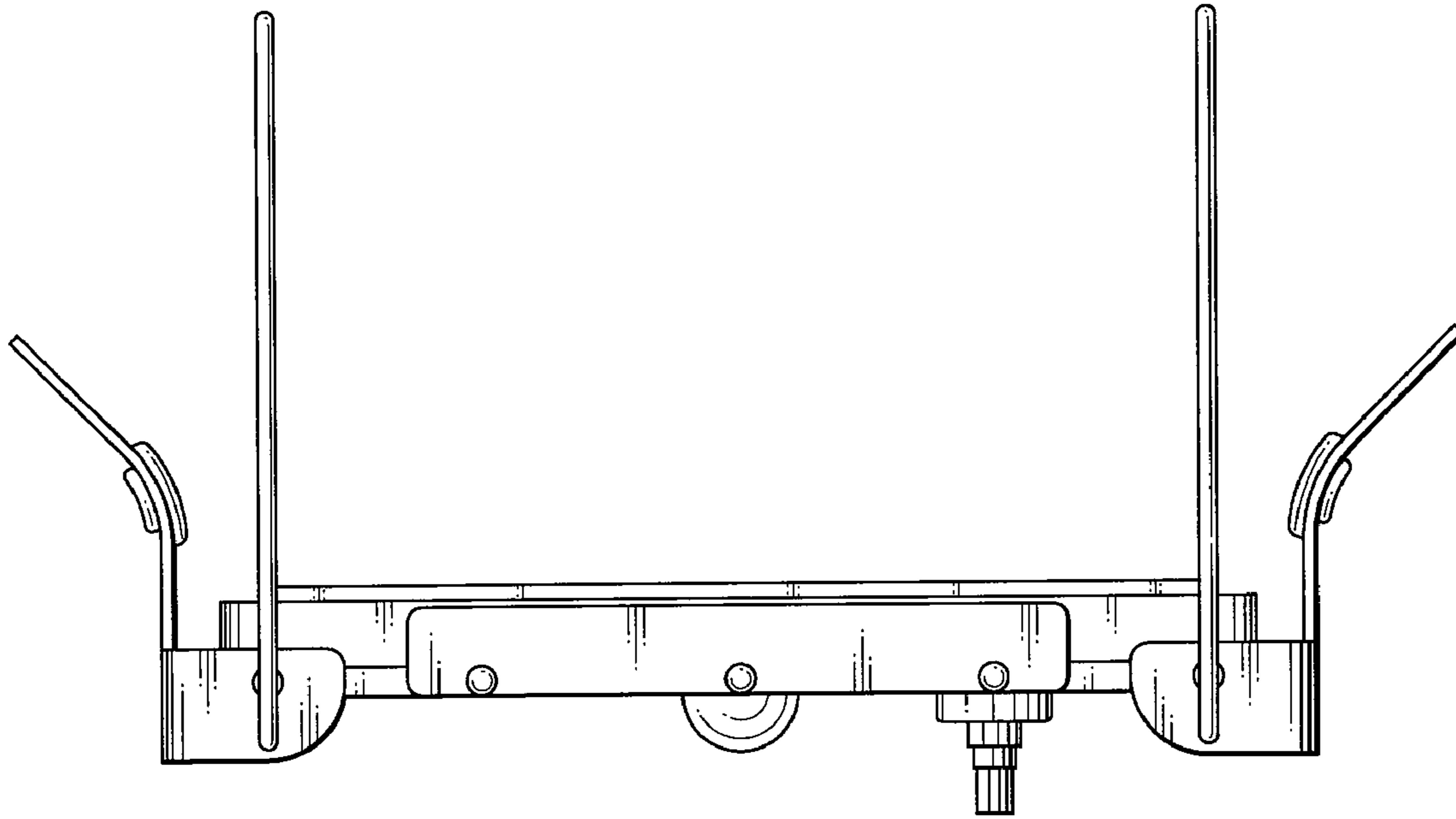


FIG. 3

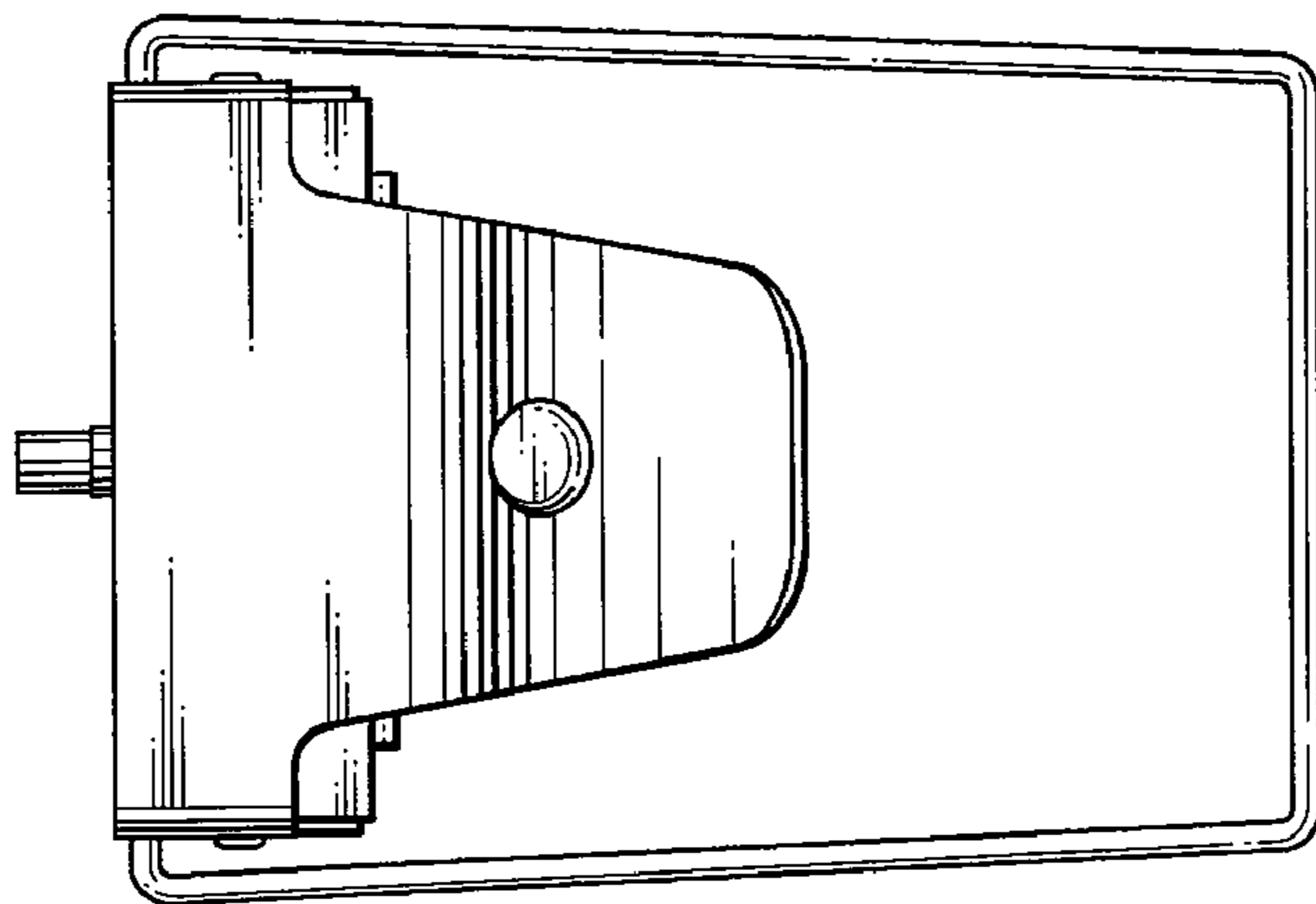


FIG. 4