



US00D58555S

(12) **United States Design Patent**
Miller

(10) **Patent No.:** **US D585,555 S**

(45) **Date of Patent:** **** Jan. 27, 2009**

(54) **BREATH ANALYZER MOUTHPIECE**

(76) Inventor: **Marlon D. Miller**, 1394 Union Grove Rd., Adamsville, AL (US) 35005

(**) Term: **14 Years**

(21) Appl. No.: **29/290,299**

(22) Filed: **Nov. 16, 2007**

(51) **LOC (9) Cl.** **24-02**

(52) **U.S. Cl.** **D24/169**

(58) **Field of Classification Search** D24/169,
D24/186, 110; D10/78, 81; 600/530-533,
600/538, 540, 239; 436/900; 128/719, 745,
128/200.15; 73/861.61

See application file for complete search history.

(56) **References Cited**

U.S. PATENT DOCUMENTS

4,148,308 A	4/1979	Sayer	
D300,559 S *	4/1989	Butler	D24/169
D335,343 S *	5/1993	Jones et al.	D24/110
D351,468 S *	10/1994	Ponsy	D24/169
D370,065 S *	5/1996	Squillante et al.	D24/169
D411,010 S *	6/1999	Harbrecht et al.	D24/164
D492,035 S *	6/2004	Crafoord	D24/169
D542,913 S *	5/2007	Aspinall et al.	D24/110.5

D556,908 S * 12/2007 Jones et al. D24/164

* cited by examiner

Primary Examiner—Louis S Zarfaz

Assistant Examiner—Anhdao Doan

(74) *Attorney, Agent, or Firm*—Richard C. Litman

(57) **CLAIM**

The ornamental design for a breath analyzer mouthpiece, as shown and described.

DESCRIPTION

FIG. 1 is a front elevational view of a breath analyzer mouthpiece showing my new design;

FIG. 2 is a rear elevational view thereof;

FIG. 3 is a right side elevational view, with the left side being a mirror image, thereof;

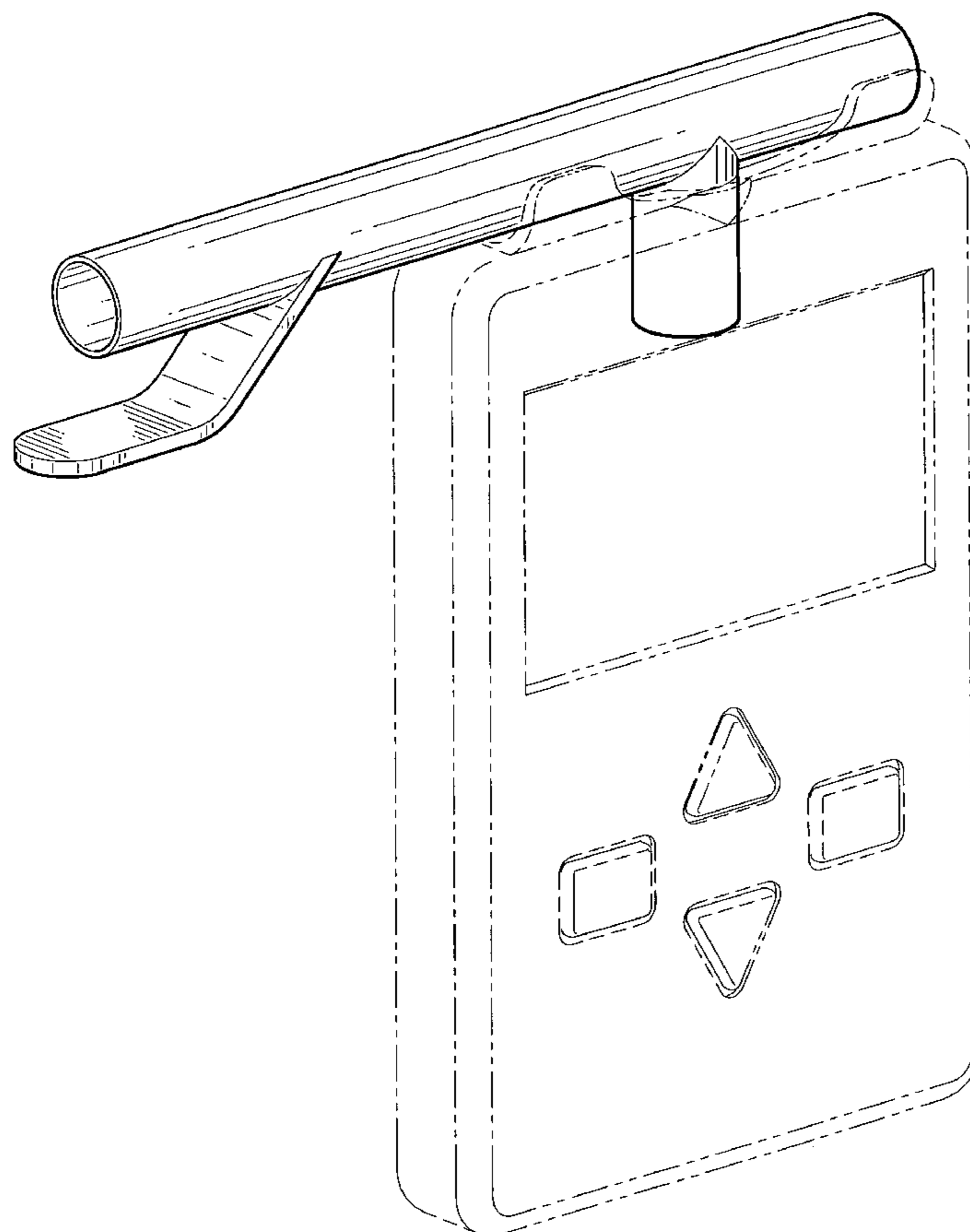
FIG. 4 is a top plan view thereof;

FIG. 5 is a bottom view thereof; and,

FIG. 6 is a perspective view thereof, showing with the environment.

The broken line showing the breath analyzer unit in FIG. 6 illustrates the environmental subject matter and form no part of the claimed design.

1 Claim, 4 Drawing Sheets



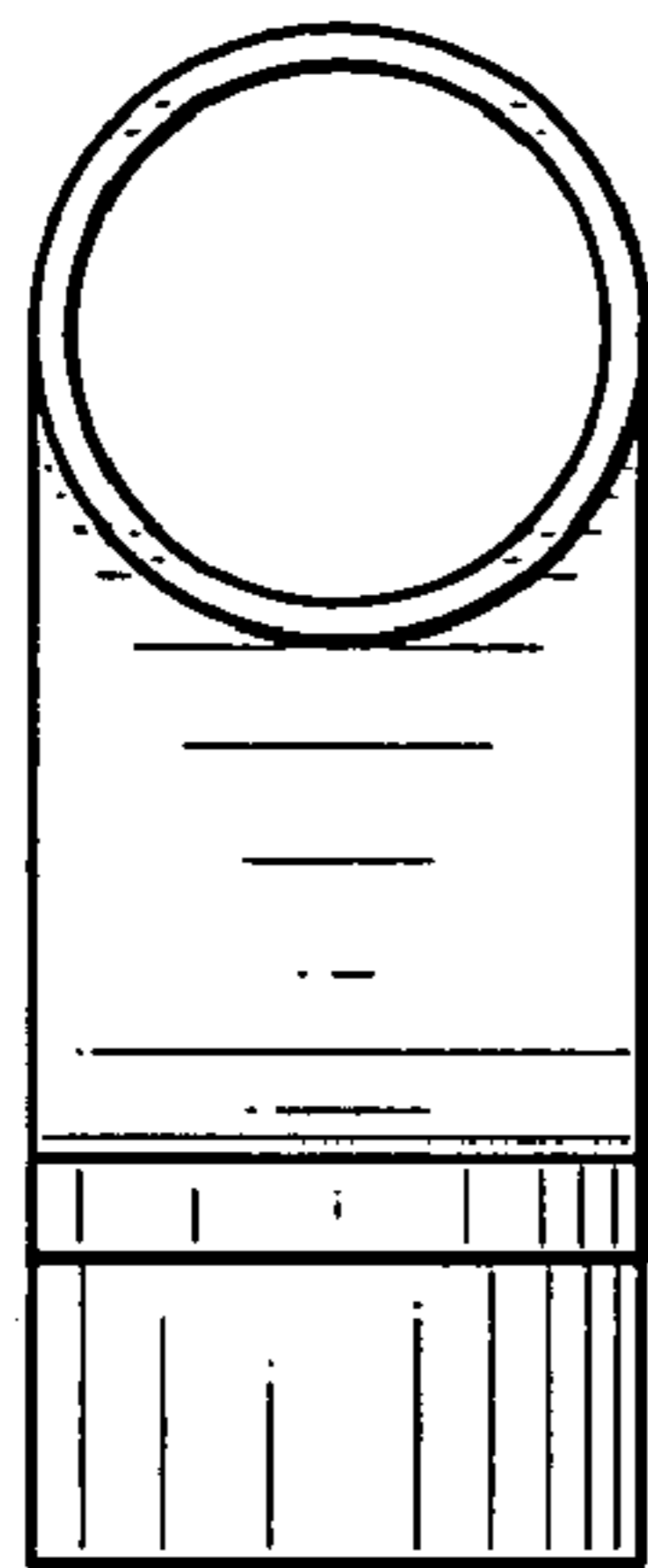


Fig. 1

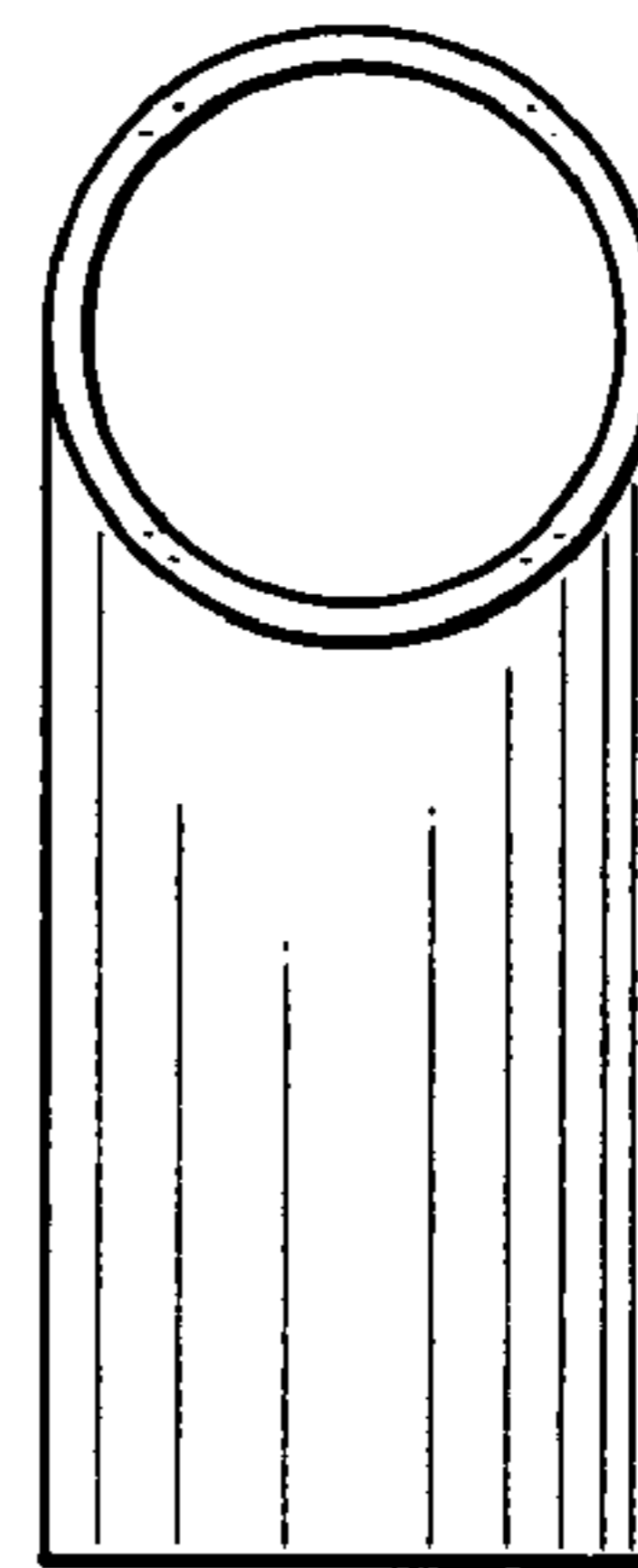


Fig. 2

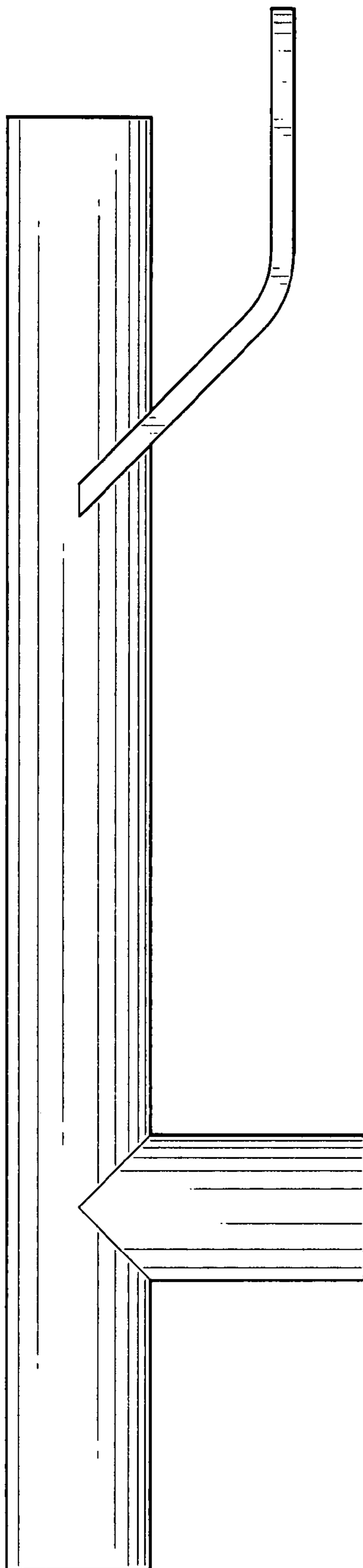


Fig. 3

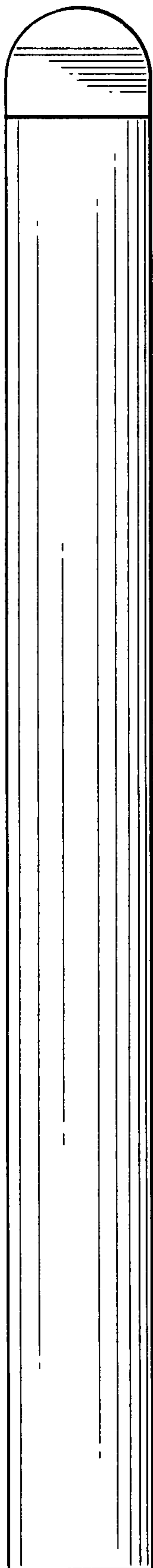


Fig. 4

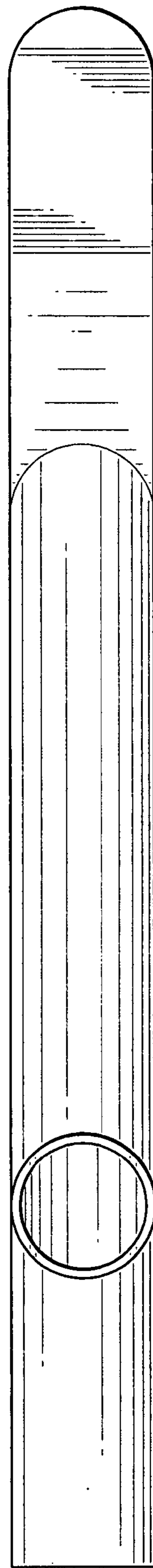


Fig. 5

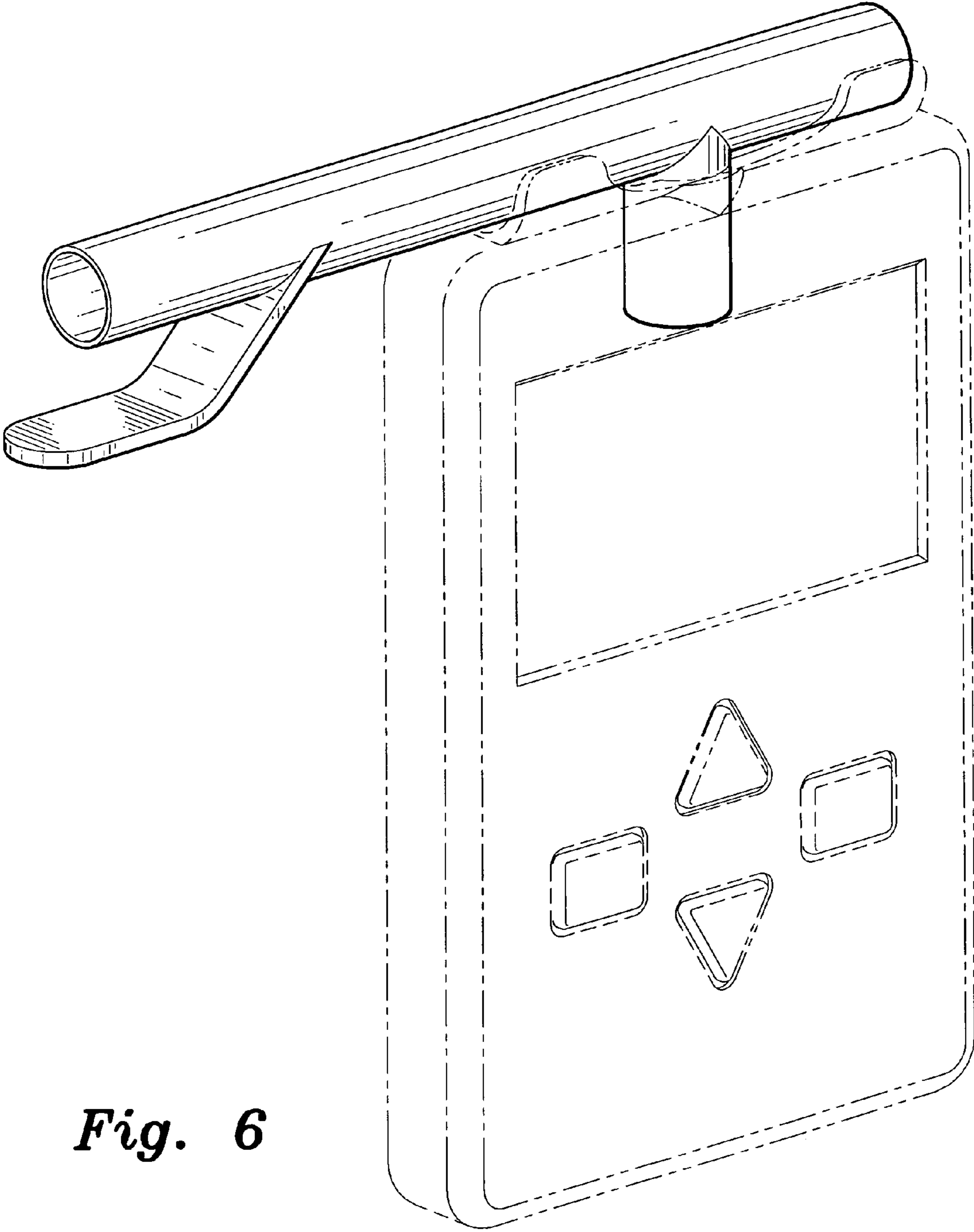


Fig. 6