



US00D585550S

(12) **United States Design Patent**
Katsura et al.

(10) **Patent No.:** **US D585,550 S**
(45) **Date of Patent:** **** Jan. 27, 2009**

(54) **PUNCTURE NEEDLE CHIP**

(75) Inventors: **Hideki Katsura**, Tokyo (JP); **Masafumi Takemoto**, Yamanashi (JP)

(73) Assignee: **Terumo Kabushiki Kaisha**, Tokyo (JP)

(**) Term: **14 Years**

(21) Appl. No.: **29/293,535**

(22) Filed: **Nov. 30, 2007**

(51) **LOC (9) Cl.** **24-02**

(52) **U.S. Cl.** **D24/147**

(58) **Field of Classification Search** D24/133,
D24/144, 146, 147, 169, 112; 606/181–184,
606/167; 600/583, 584
See application file for complete search history.

(56) **References Cited**

U.S. PATENT DOCUMENTS

D293,821 S *	1/1988	Vaillancourt	D24/147
4,738,261 A *	4/1988	Enstrom	606/182
4,990,154 A *	2/1991	Brown et al.	606/182
D393,717 S *	4/1998	Brenneman et al.	D24/147
7,207,952 B2 *	4/2007	Takinami et al.	600/584
7,241,302 B2 *	7/2007	Sniffen et al.	606/184
D560,805 S *	1/2008	Young et al.	D24/146
D562,981 S *	2/2008	Trissel et al.	D24/147
2004/0243165 A1 *	12/2004	Koike et al.	606/181

OTHER PUBLICATIONS

Terumo Kabushiki Kaisha, Product Catalog, Apr. 20, 1993.
Terumo Kabushiki Kaisha, Product Catalog, Nov. 2002.
Terumo Kabushiki Kaisha, Product Catalog, Nov. 2003.

* cited by examiner

Primary Examiner—Ian Simmons

Assistant Examiner—Carissa C Fitts

(74) *Attorney, Agent, or Firm*—Jean C. Edwards, Esq.;
Akerman Senterfitt

(57) **CLAIM**

The ornamental design for a puncture needle chip, as shown and described.

DESCRIPTION

FIG. 1 is a perspective view of the front, left and top of a puncture needle chip showing our new design;

FIG. 2 is a front view thereof;

FIG. 3 is a top plan view thereof;

FIG. 4 is a bottom view thereof;

FIG. 5 is a left side view thereof;

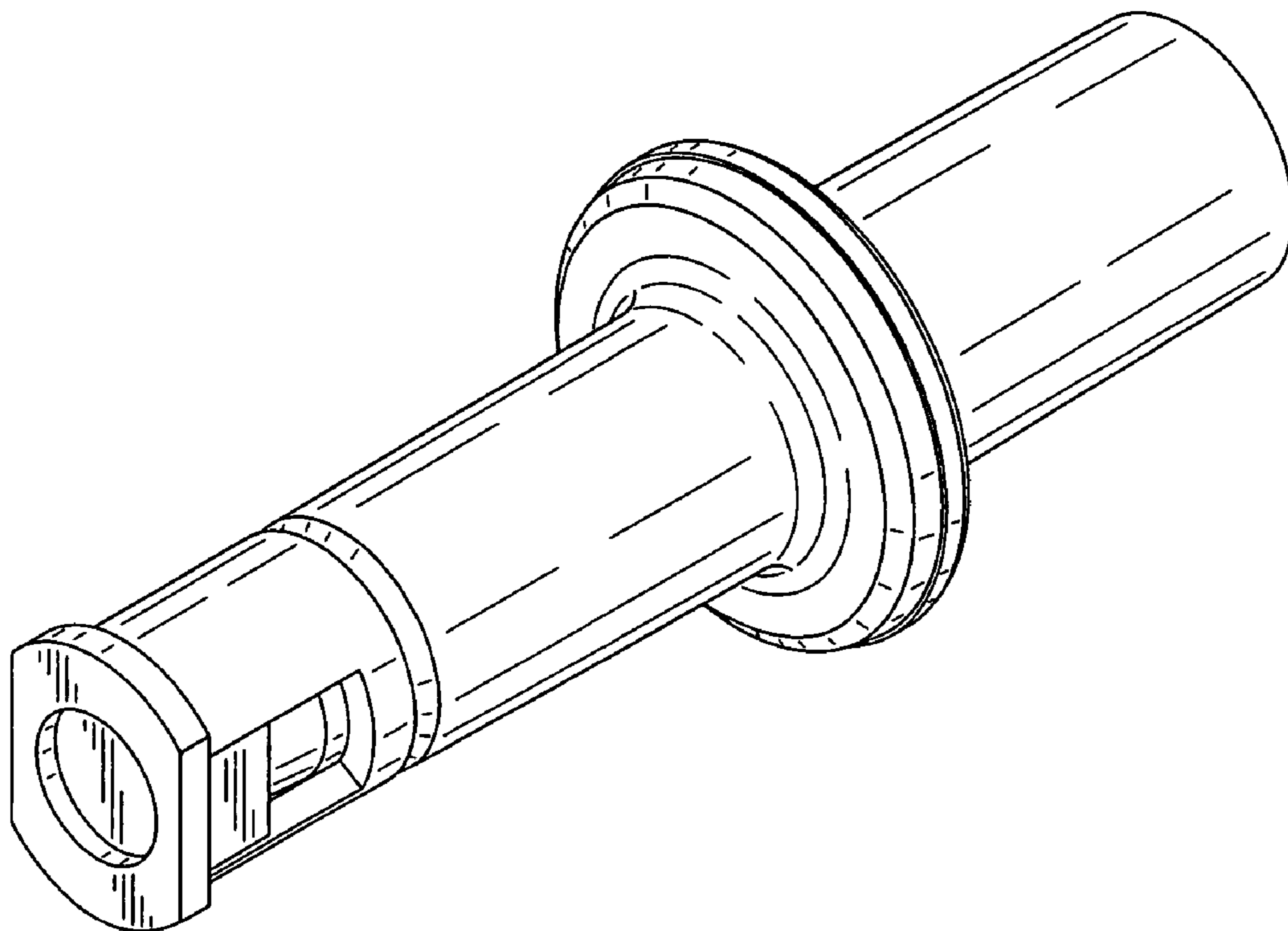
FIG. 6 is a right side view thereof;

FIG. 7 is a rear view thereof; and,

FIG. 8 is a reference view of usage.

The elements shown in broken lines are for illustrative purposes only and form no part of the claimed design.

1 Claim, 4 Drawing Sheets



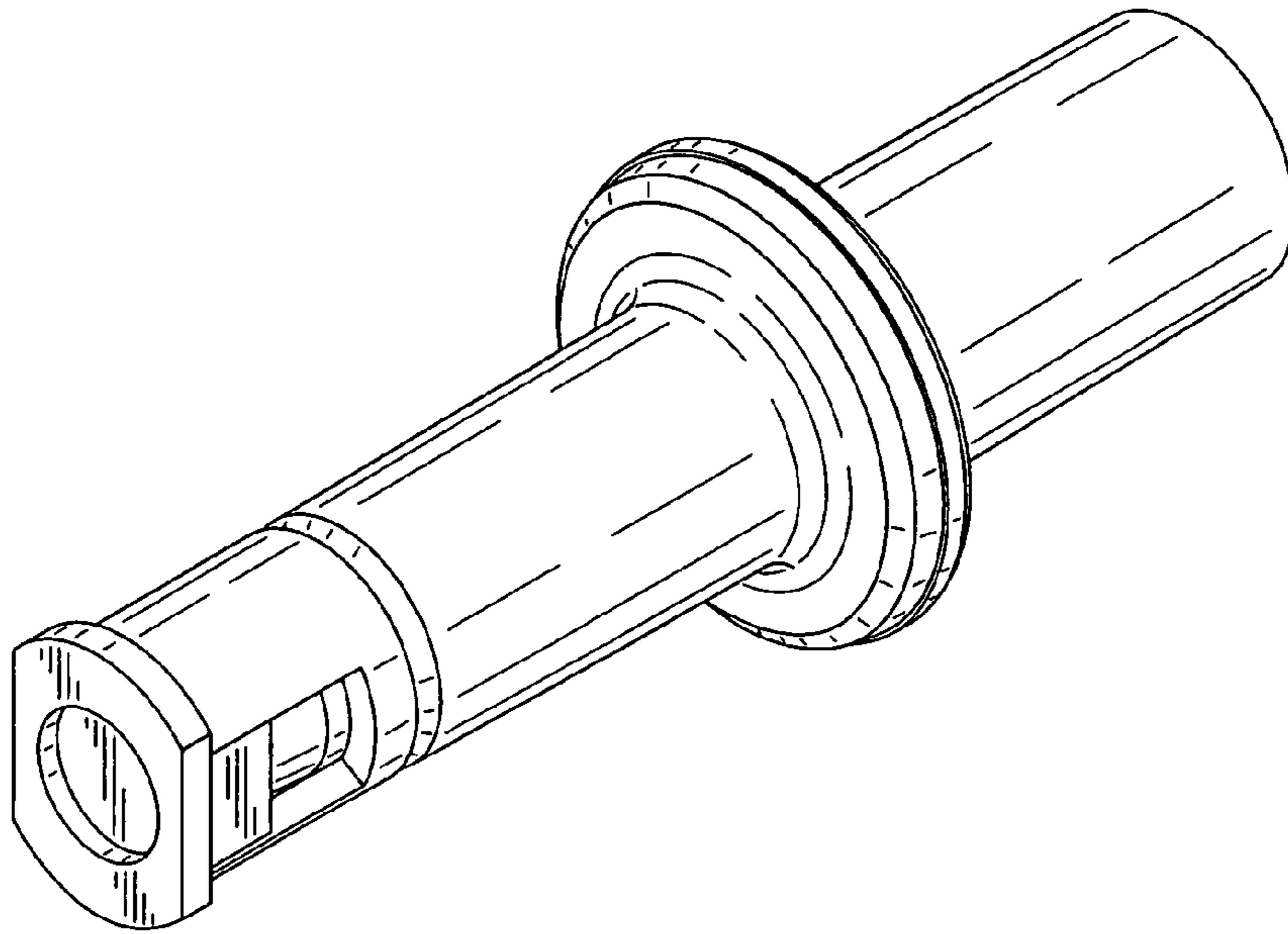


FIG. 1

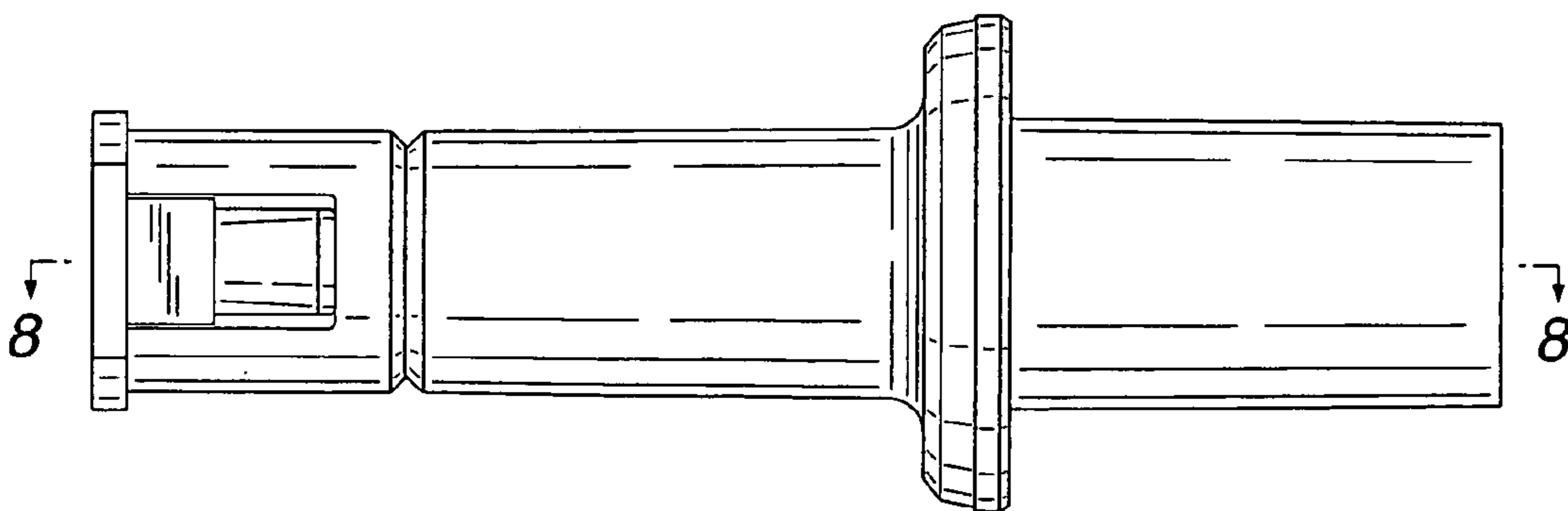


FIG. 2

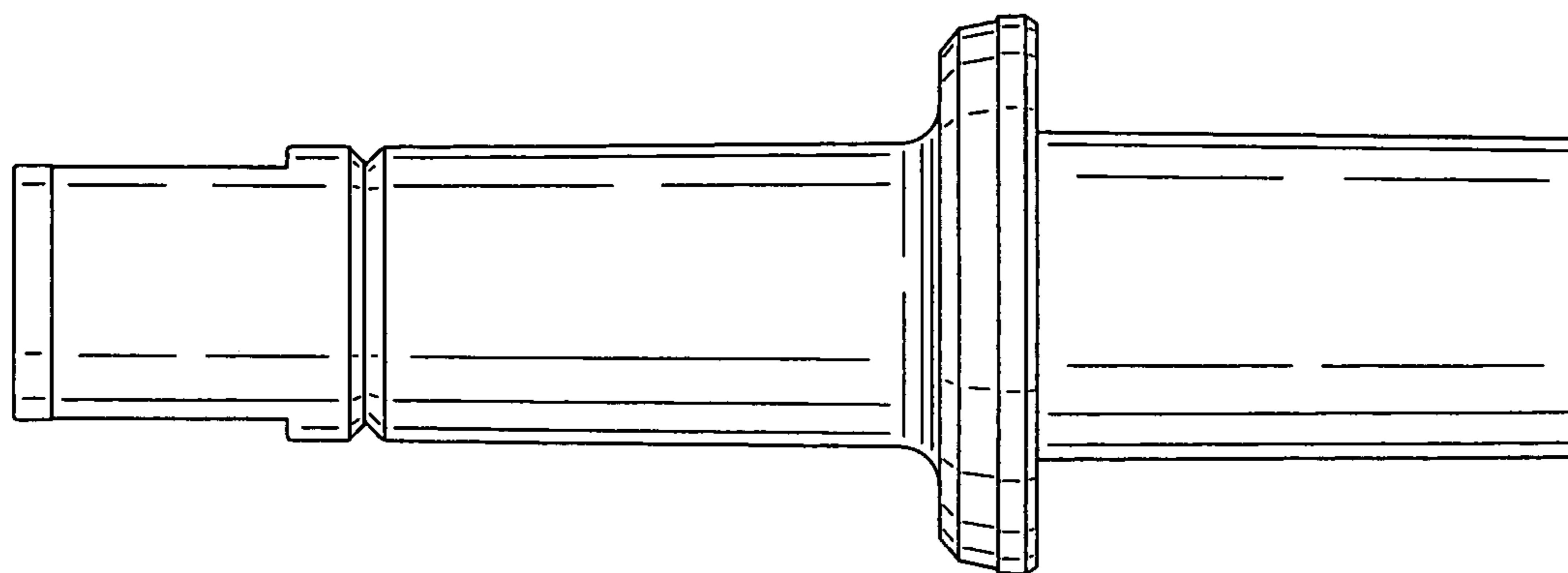


FIG. 3

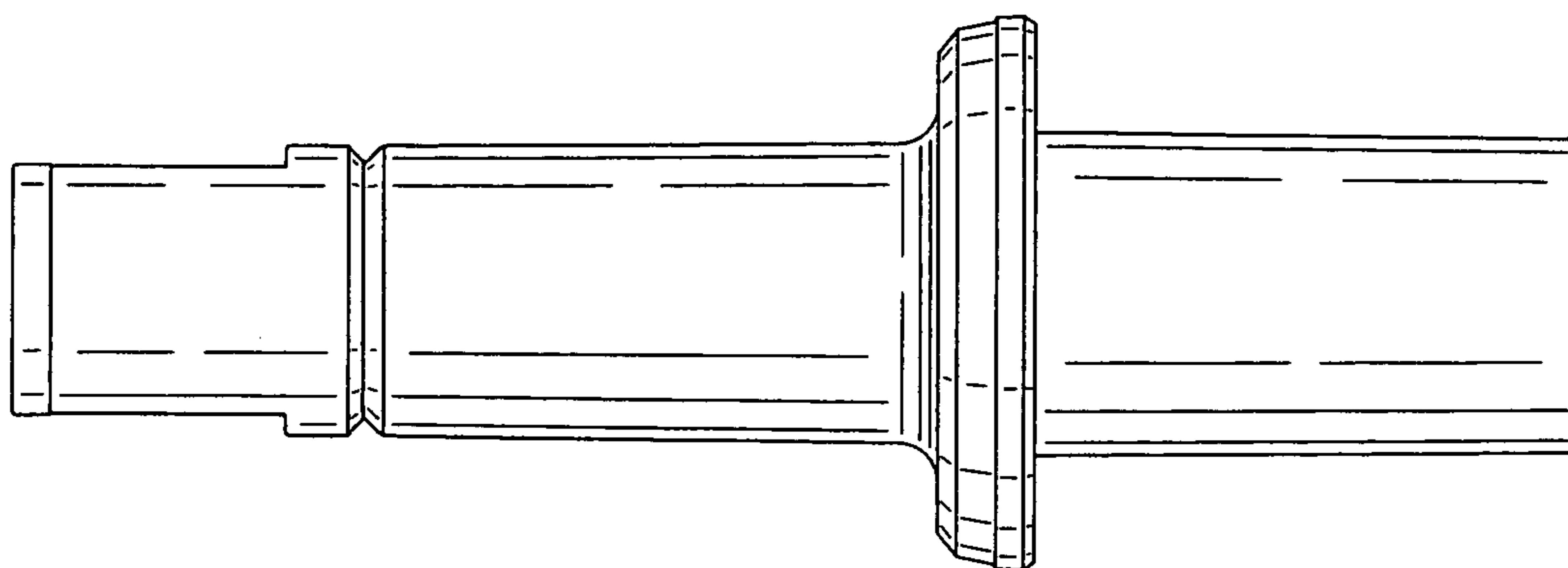


FIG. 4

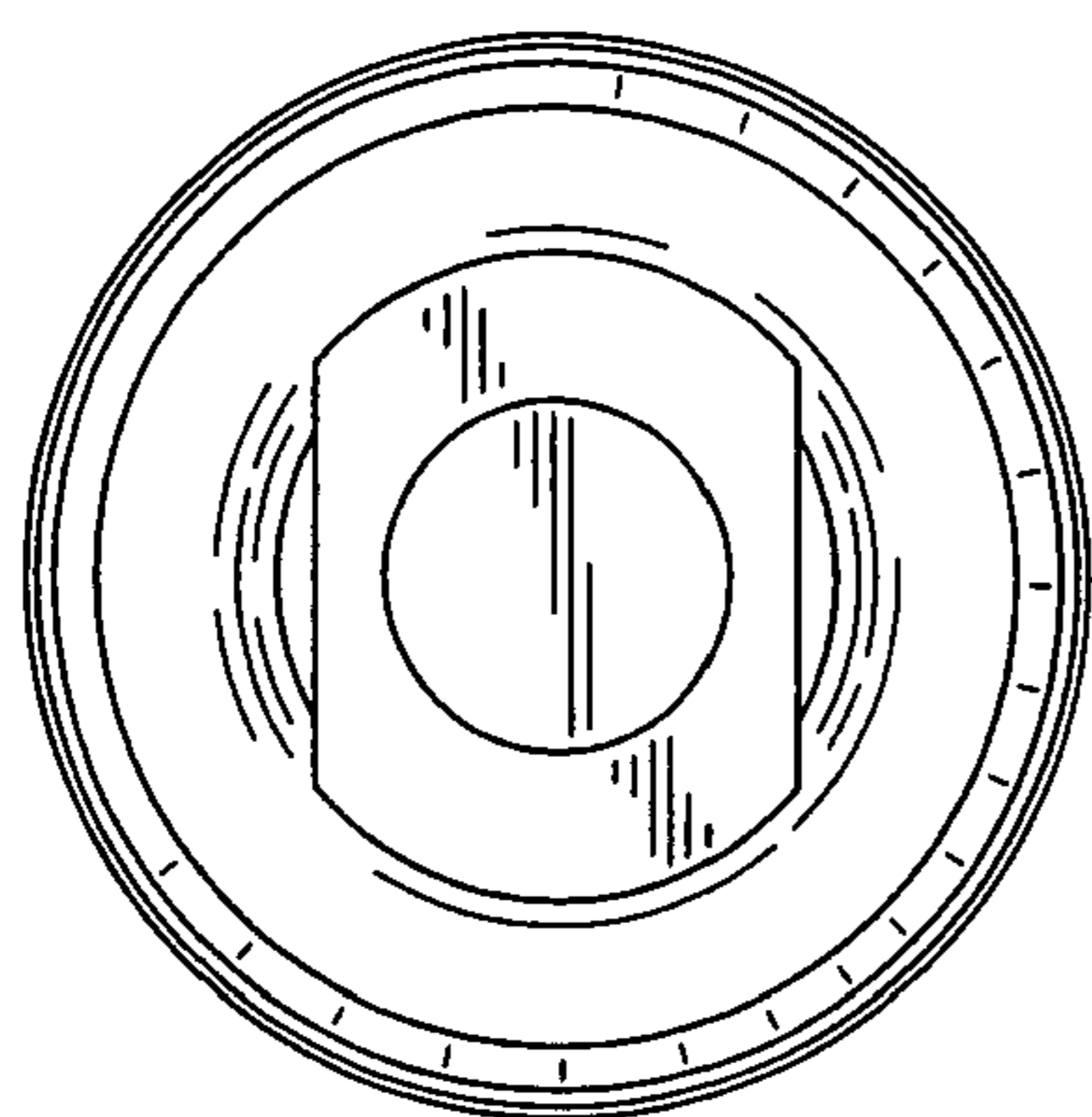


FIG. 5

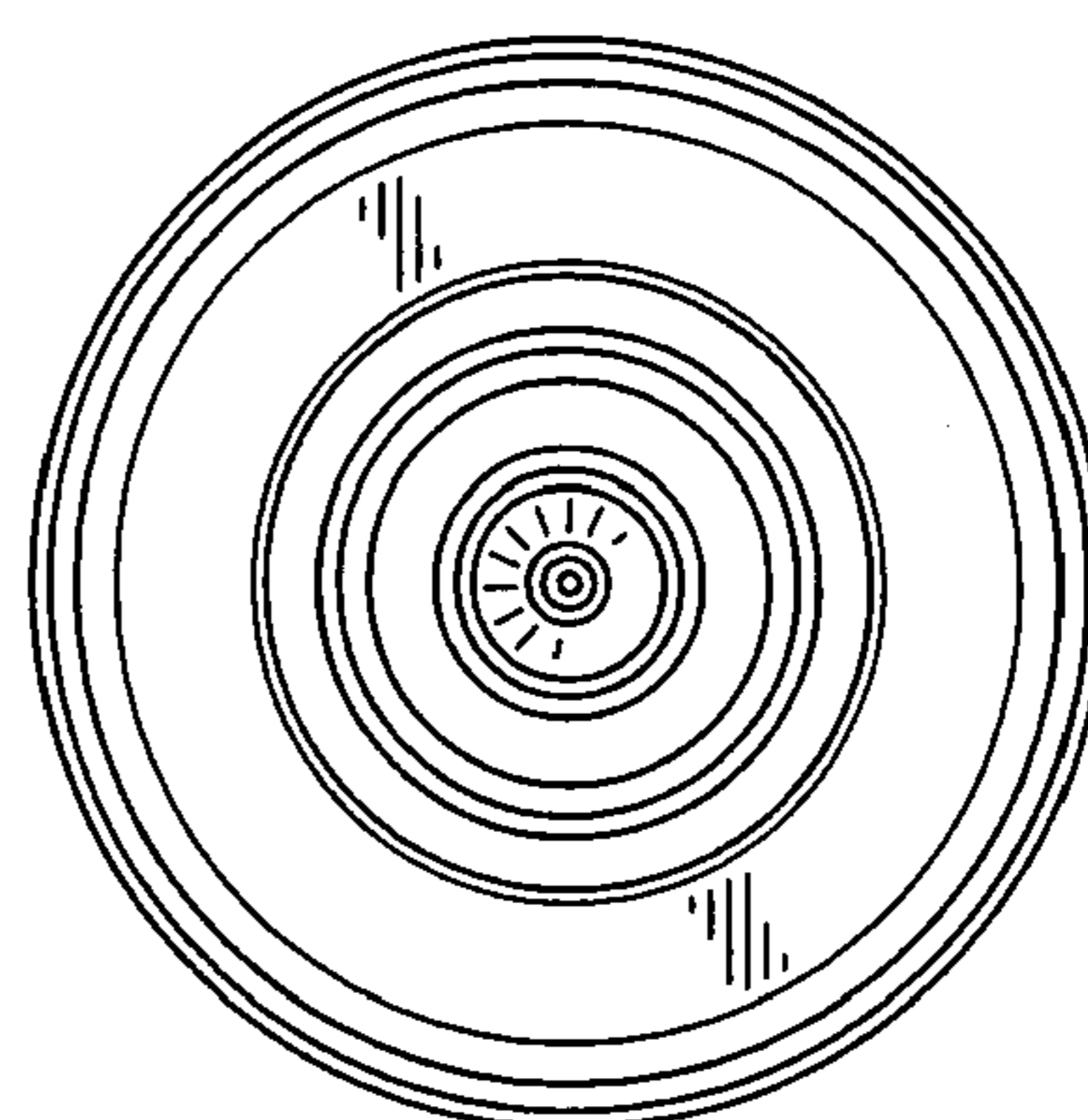


FIG. 6

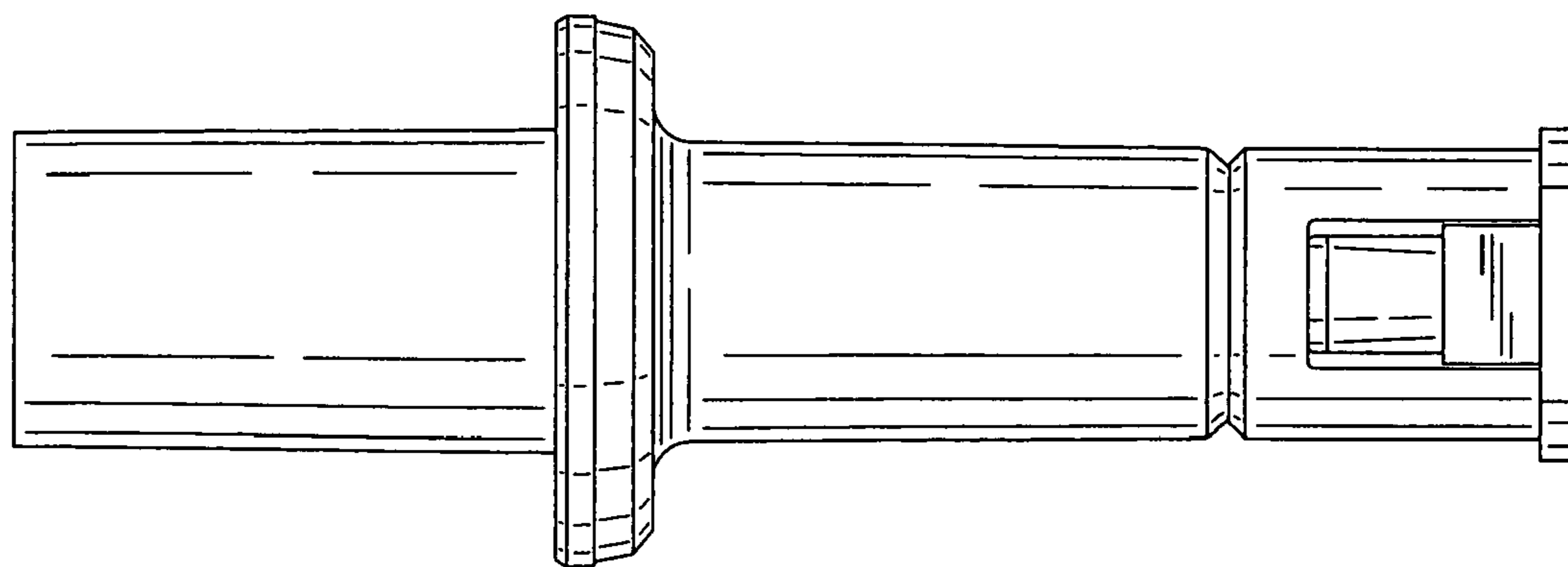


FIG. 7

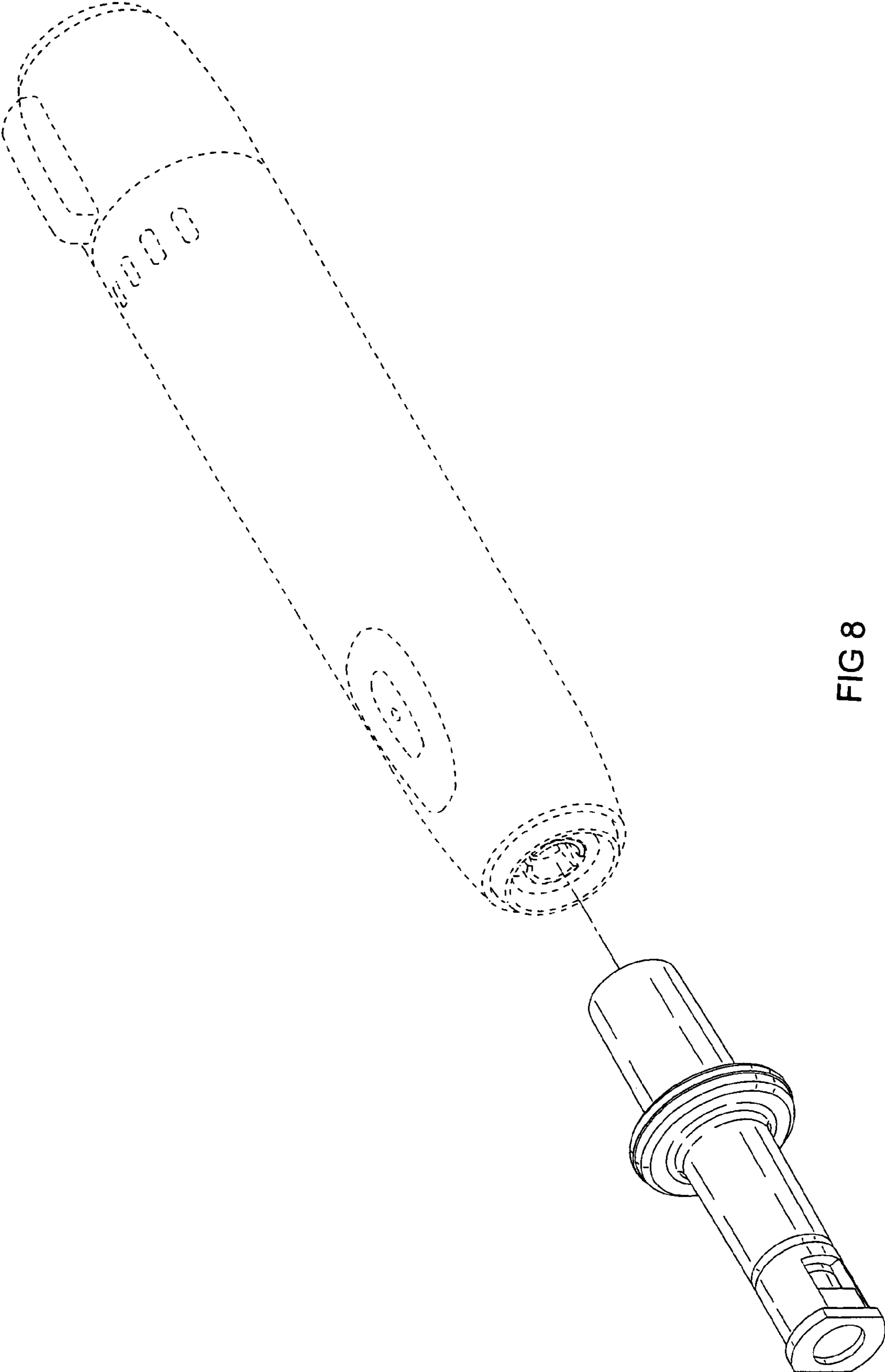


FIG 8