



US00D585547S

(12) **United States Design Patent**
Bisleri

(10) **Patent No.:** **US D585,547 S**
(45) **Date of Patent:** **** Jan. 27, 2009**

(54) **MEDICAL INSTRUMENT**

(75) Inventor: **Gianluigi Bisleri**, Paderno Franciacorta (IT)

(73) Assignee: **Karl Storz GmbH & Co. KG** (DE)

(**) Term: **14 Years**

(21) Appl. No.: **29/297,337**

(22) Filed: **Nov. 8, 2007**

(30) **Foreign Application Priority Data**

May 11, 2007 (EM) 000721725

(51) **LOC (9) Cl.** **24-02**

(52) **U.S. Cl.** **D24/135; D24/133; D24/146; D24/147**

(58) **Field of Classification Search** D24/133, D24/135, 146, 147; D8/47; 606/190, 191, 606/86 A, 90, 53; 600/184; 623/17.11
See application file for complete search history.

(56) **References Cited**

U.S. PATENT DOCUMENTS

- 6,692,502 B1 * 2/2004 Ertl et al. 606/86 R
- 6,926,728 B2 * 8/2005 Zucherman et al. 606/190
- D535,744 S * 1/2007 Wright D24/135
- 2001/0034535 A1 * 10/2001 Schultz 606/190
- 2005/0149059 A1 * 7/2005 Tang 606/107
- 2008/0033472 A1 * 2/2008 Shimizu et al. 606/190
- 2008/0125791 A1 * 5/2008 Gellman et al. 606/108

OTHER PUBLICATIONS

Storz Catalogue "Endoscopes And Instruments For Cardiovascular Surgery", 6th Edition, Jan. 2004, 2 pages.

* cited by examiner

Primary Examiner—Ian Simmons

Assistant Examiner—Christopher Lee

(74) *Attorney, Agent, or Firm*—St. Onge Steward Johnston & Reens LLC

(57) **CLAIM**

The ornamental design for a medical instrument, as shown and described.

DESCRIPTION

FIG. 1 is a front perspective view of a medical instrument in accordance with the new design;

FIG. 2 is a left side view thereof;

FIG. 3 is a right side view thereof;

FIG. 4 is a top view thereof;

FIG. 5 is a bottom view thereof;

FIG. 6 is a front view thereof;

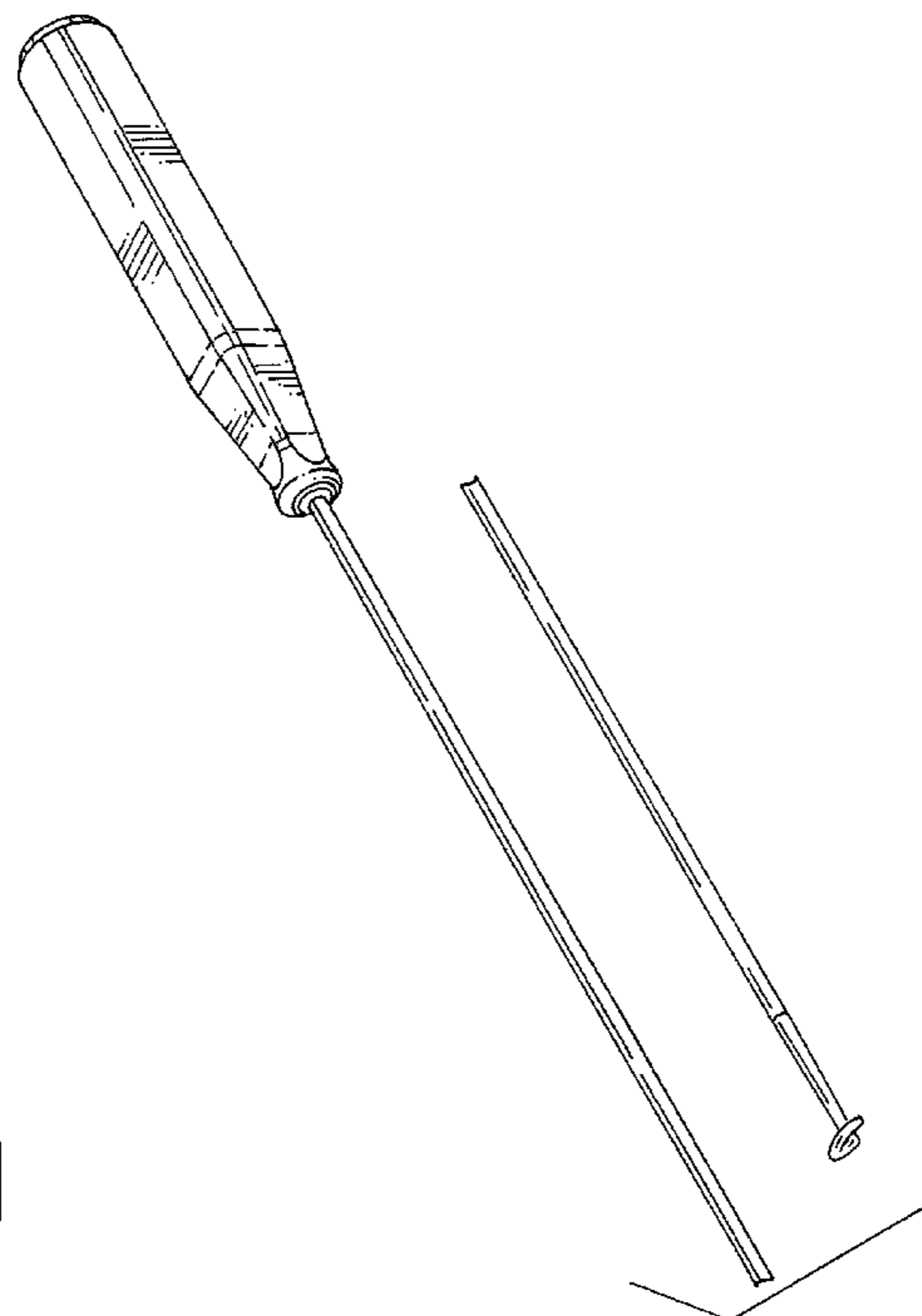
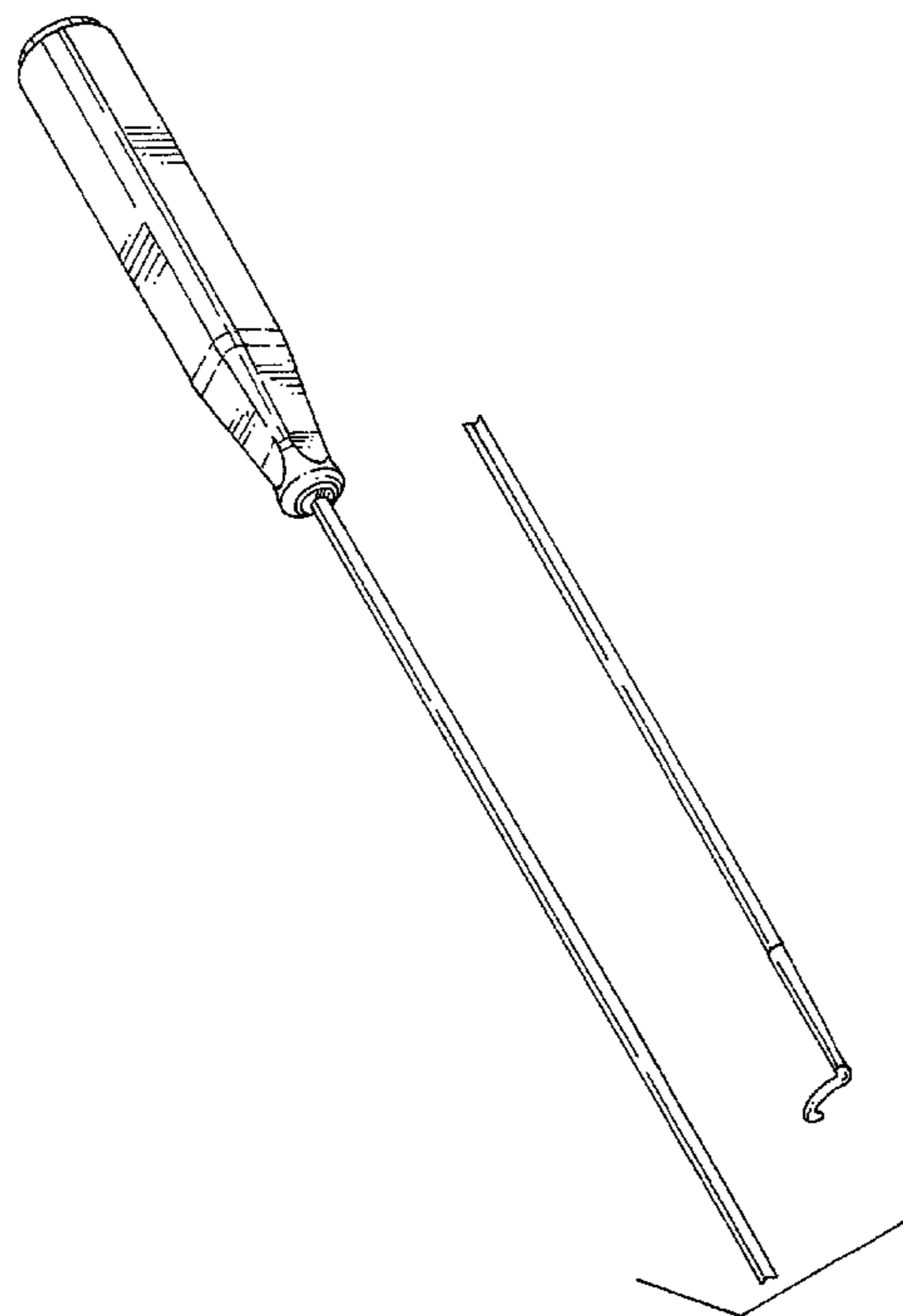
FIG. 7 is a rear view thereof;

FIG. 8 is a front perspective view of another embodiment of the medical instrument in accordance with the new design; and,

FIG. 9 is a front view of the embodiment shown in FIG. 8.

FIGS. 1–5 and 8 showing a break indicating no particular length.

1 Claim, 7 Drawing Sheets



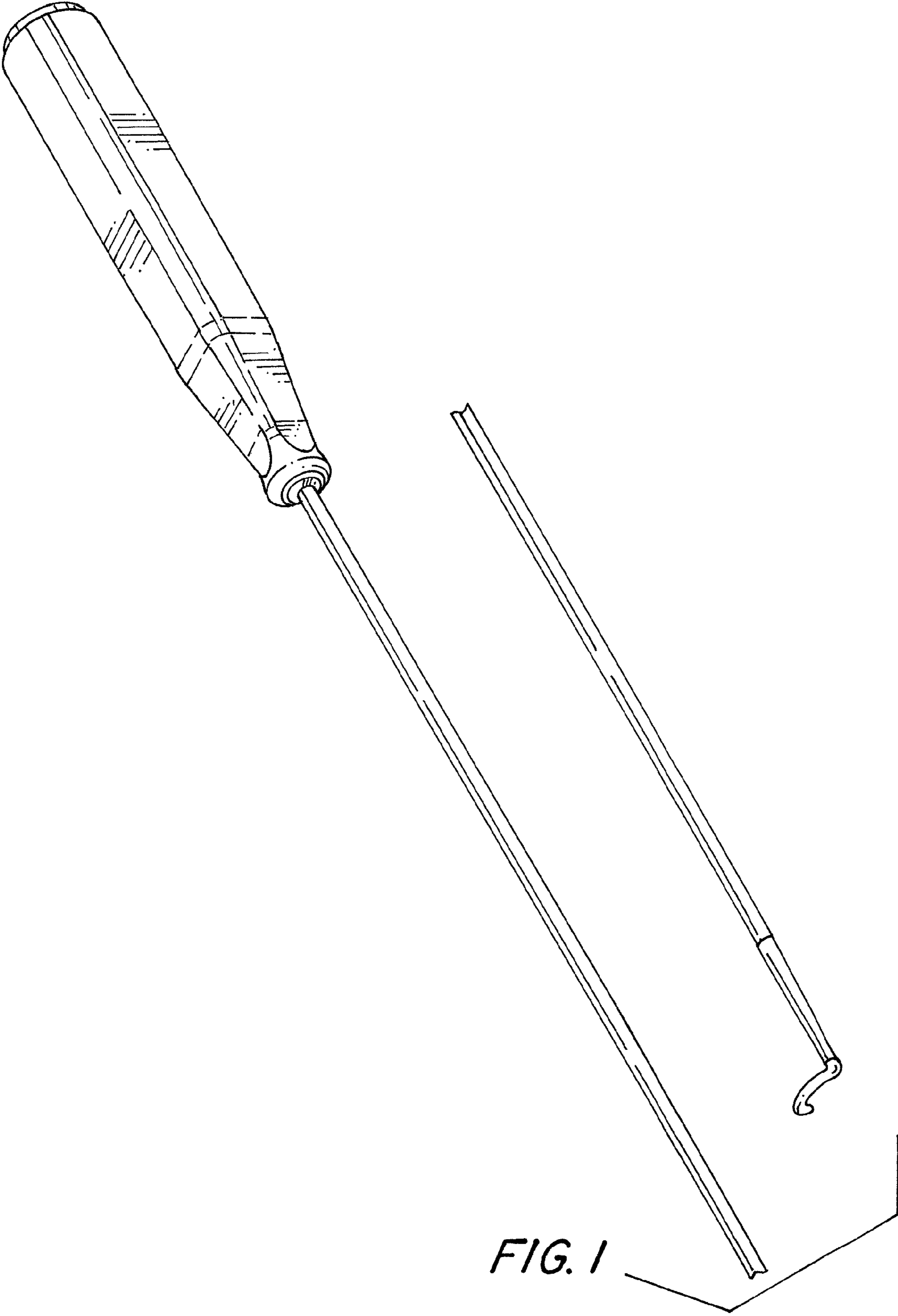


FIG. 1

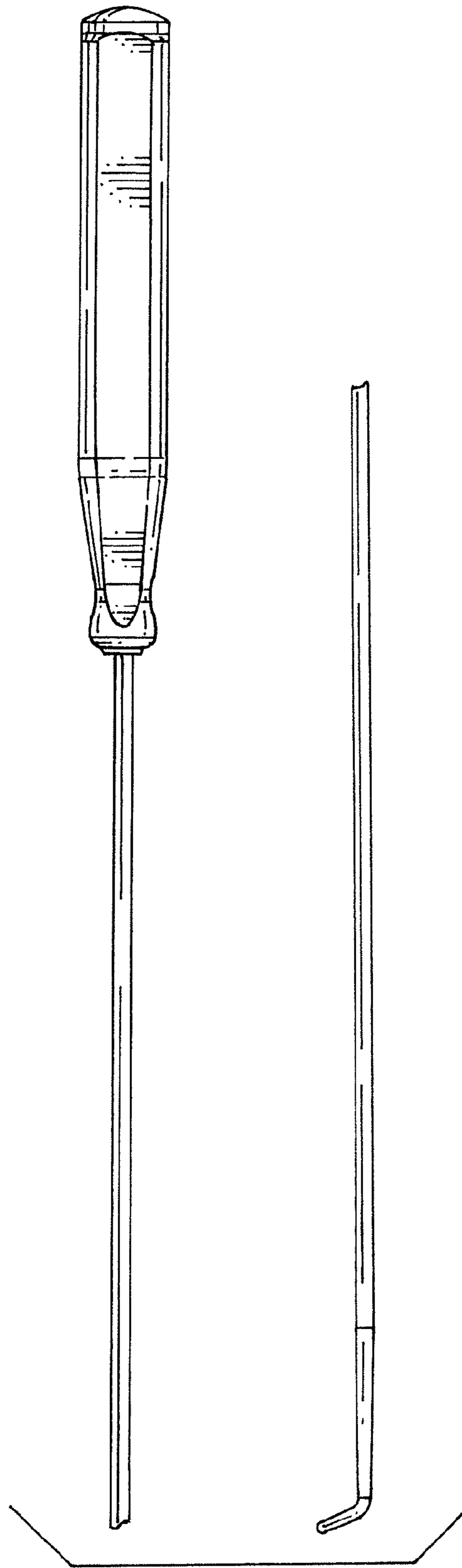


FIG. 2

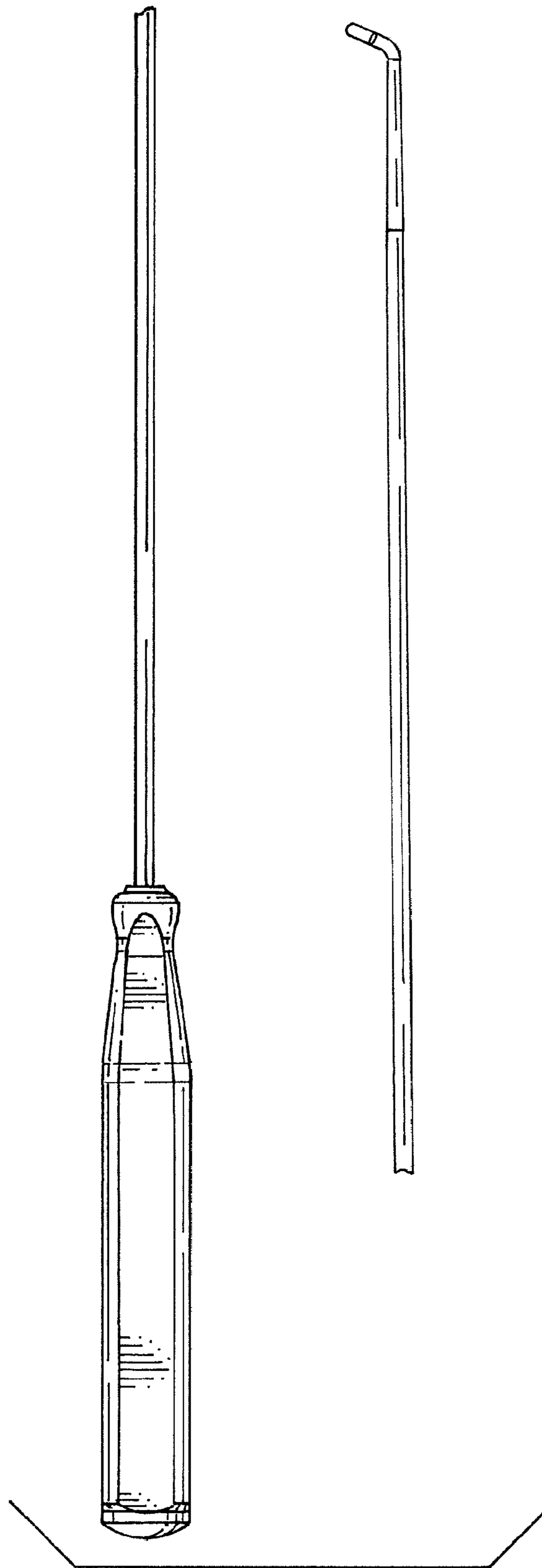


FIG. 3

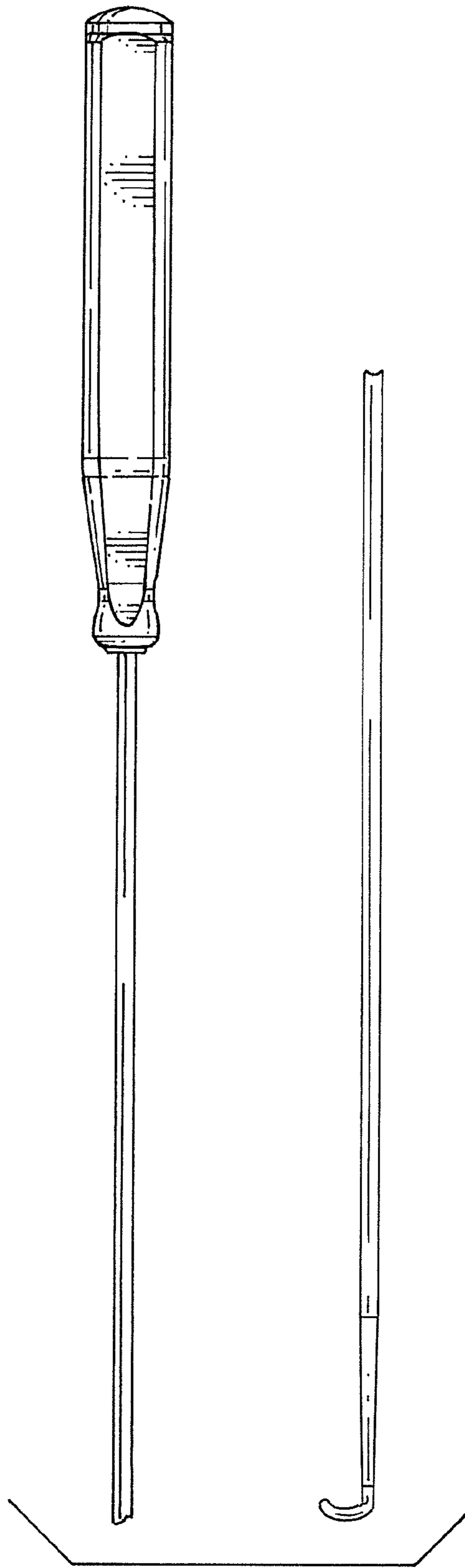


FIG. 4

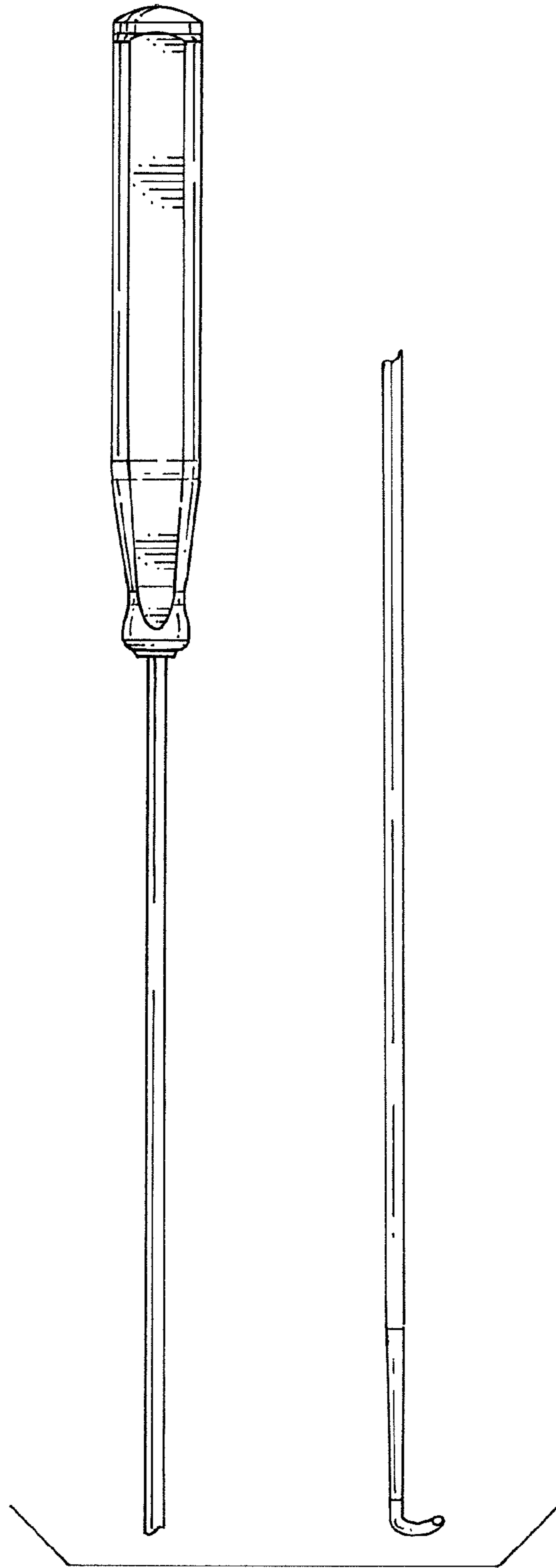


FIG. 5

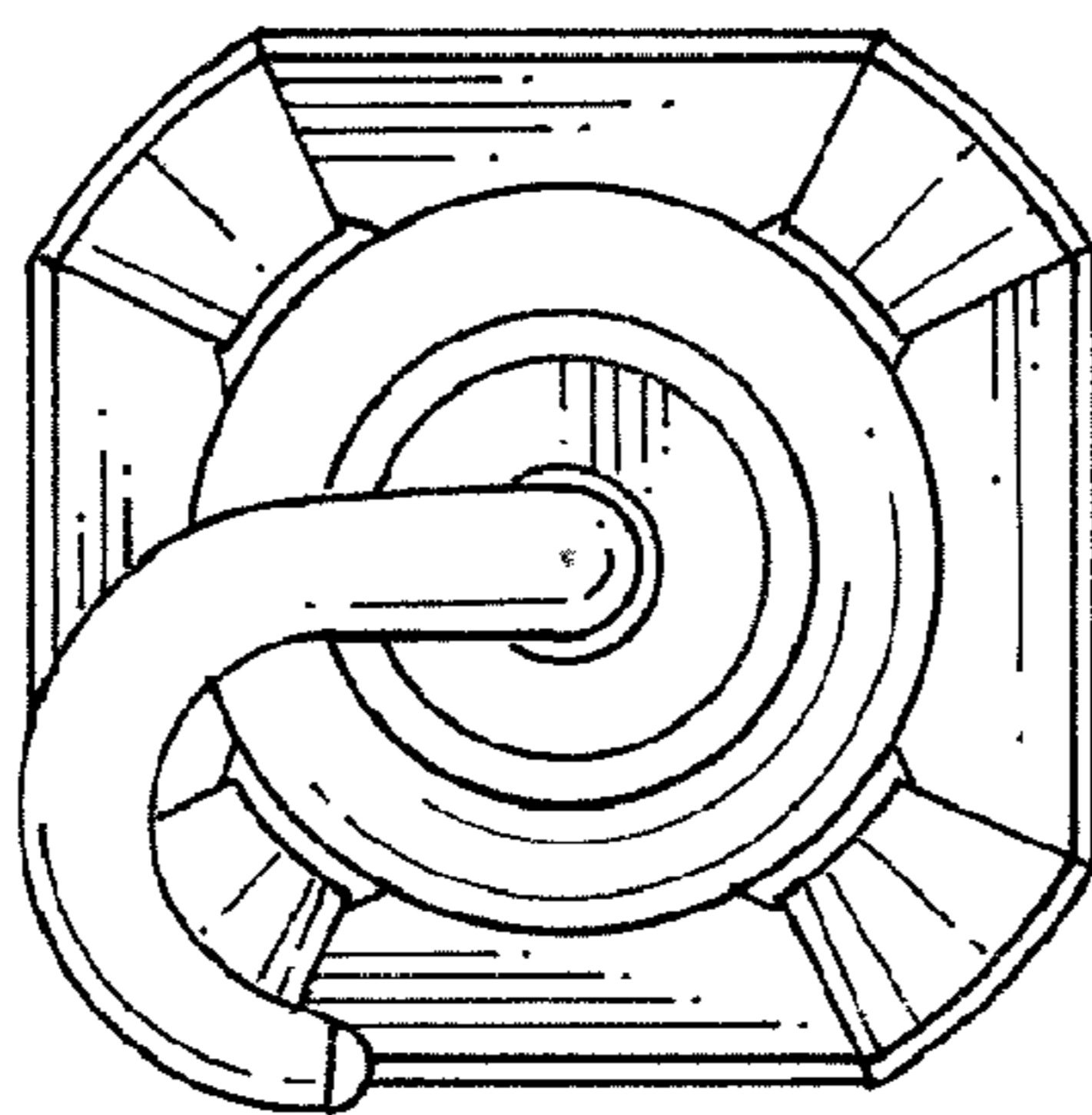


FIG. 6

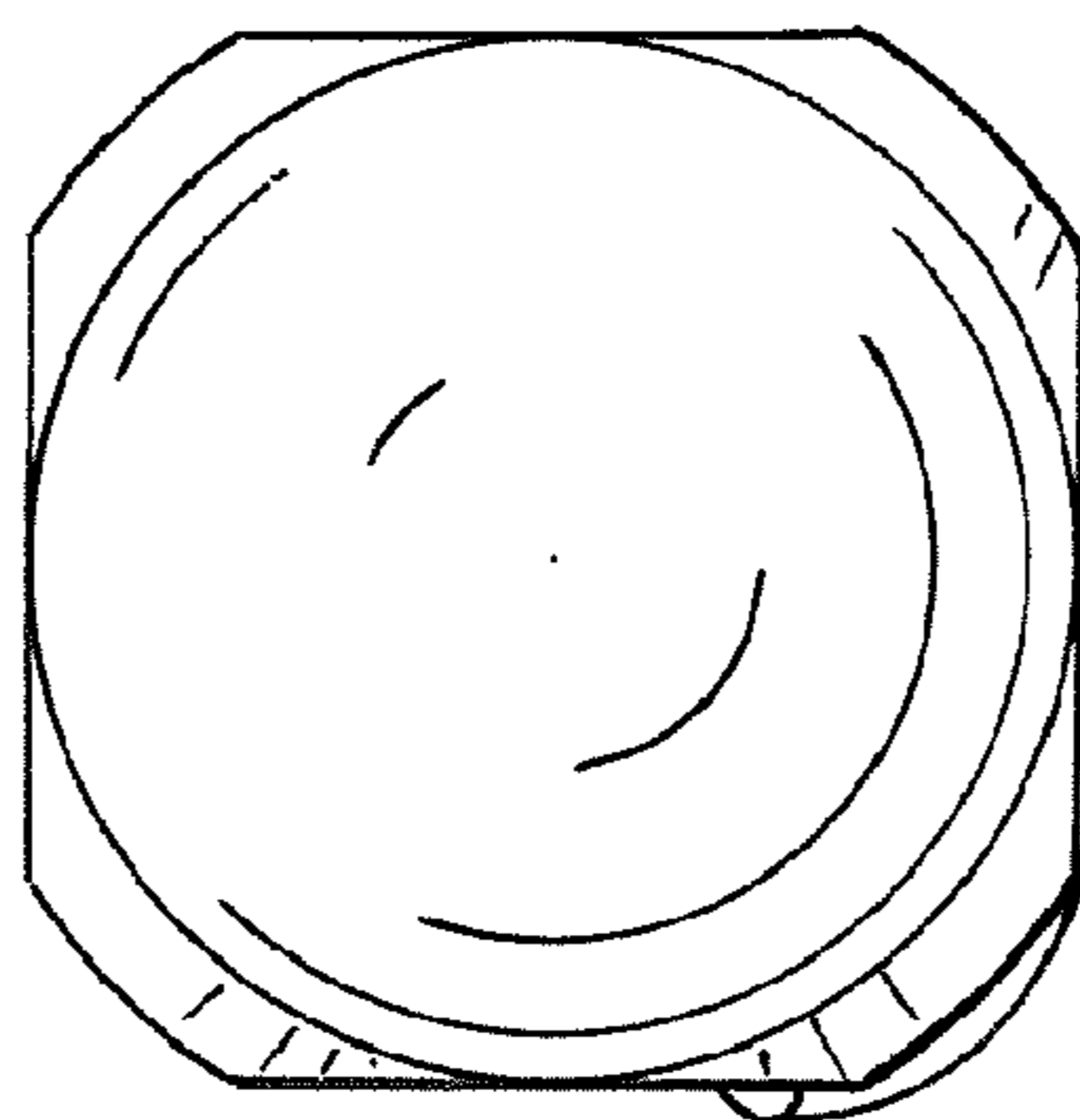


FIG. 7

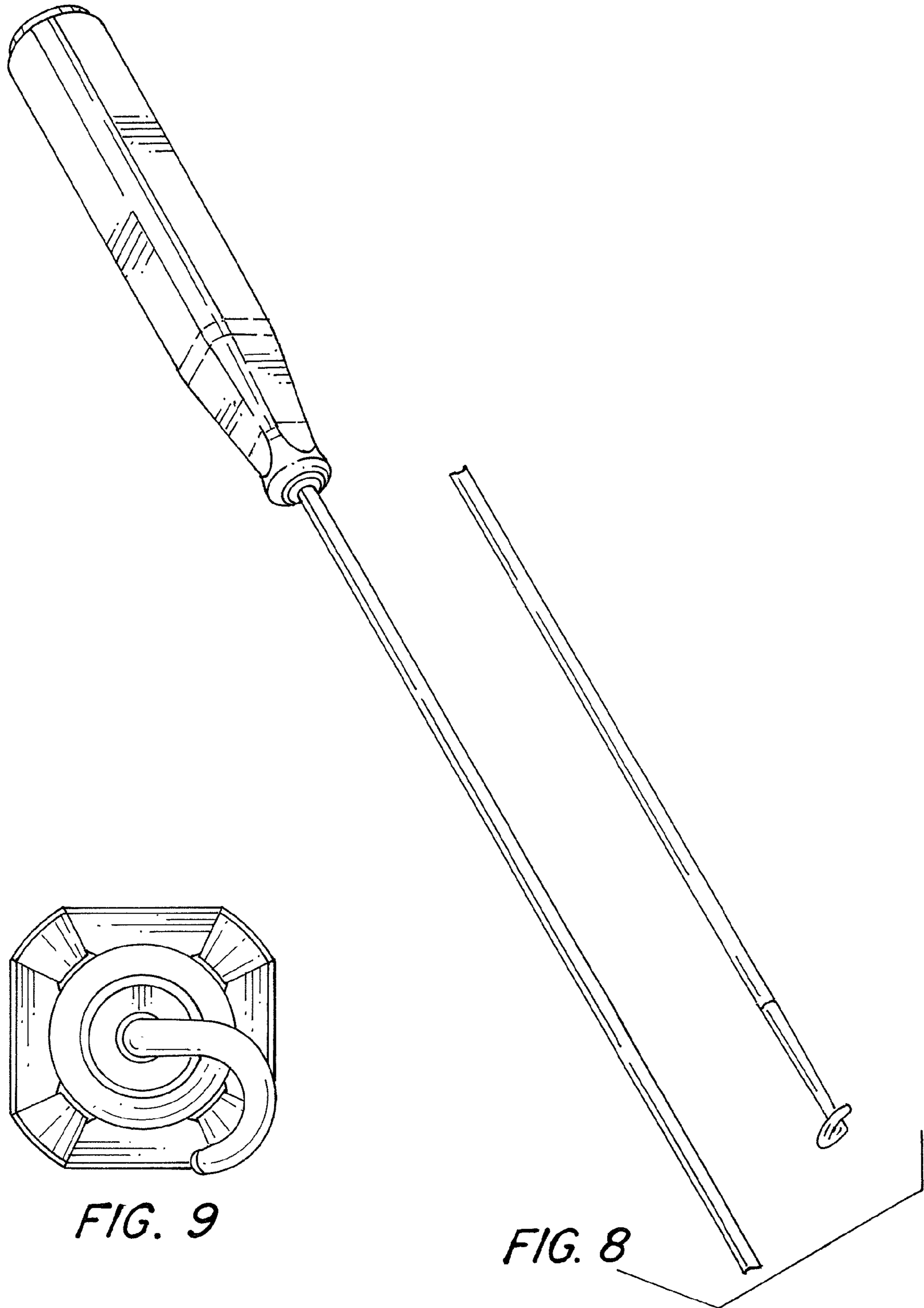


FIG. 9

FIG. 8