



US00D585546S

(12) **United States Design Patent**
Boaz

(10) **Patent No.:** **US D585,546 S**
(45) **Date of Patent:** **** Jan. 27, 2009**

(54) **CAM FOR INFUSION PERISTALTIC PUMP WITH A SINGLE CRESCENT FORM**

(75) Inventor: **Amos Boaz, Soresh (IL)**

(73) Assignee: **Q-Core Ltd. (IL)**

(**) Term: **14 Years**

(21) Appl. No.: **29/280,022**

(22) Filed: **May 14, 2007**

(51) **LOC (9) Cl.** **24-02**

(52) **U.S. Cl.** **D24/129**

(58) **Field of Classification Search** D24/129,
D24/111; 417/44.1-44.9, 474-477; D8/14.1;
123/90.17; 604/151, 153

See application file for complete search history.

(56) **References Cited**

U.S. PATENT DOCUMENTS

5,074,756	A *	12/1991	Davis	417/45
5,320,503	A *	6/1994	Davis	417/474
D355,030	S *	1/1995	Baldwin	D24/110.6
5,499,906	A *	3/1996	O'Leary	417/53
5,549,460	A *	8/1996	O'Leary	417/474
5,584,667	A *	12/1996	Davis	417/53
5,807,322	A *	9/1998	Lindsey et al.	604/65
5,842,841	A *	12/1998	Danby et al.	417/474
5,975,037	A *	11/1999	Korostenski et al.	123/90.17
6,013,057	A *	1/2000	Danby et al.	604/131
6,146,109	A *	11/2000	Davis et al.	417/244
6,474,278	B1 *	11/2002	Davis et al.	123/90.15
7,008,198	B2 *	3/2006	Lee et al.	417/470

7,033,539	B2 *	4/2006	Krensky et al.	422/44
7,059,840	B2 *	6/2006	Corwin et al.	417/477.3
D554,253	S *	10/2007	Kornerup	D24/108
D556,900	S *	12/2007	Guney et al.	D24/110.1
2003/0138331	A1 *	7/2003	Fox et al.	417/269
2004/0247445	A1 *	12/2004	Nelson et al.	417/1
2004/0247471	A1 *	12/2004	Lee et al.	417/470
2006/0064872	A1 *	3/2006	Shirai	29/888.1
2007/0213654	A1 *	9/2007	Lundtveit et al.	604/29
2007/0256654	A1 *	11/2007	Merz	123/90.17
2008/0015506	A1 *	1/2008	Davis	604/151

* cited by examiner

Primary Examiner—Louis S Zarfaz

Assistant Examiner—Eric L Goodman

(74) *Attorney, Agent, or Firm*—Cantor Colburn LLP

(57) **CLAIM**

I claim, the ornamental design for a cam for infusion peristaltic pump with a single crescent form, as shown and described.

DESCRIPTION

FIG. 1 is a first perspective view of a cam for infusion peristaltic pump with a single crescent form, showing my new design;

FIG. 2 is a second perspective view thereof;

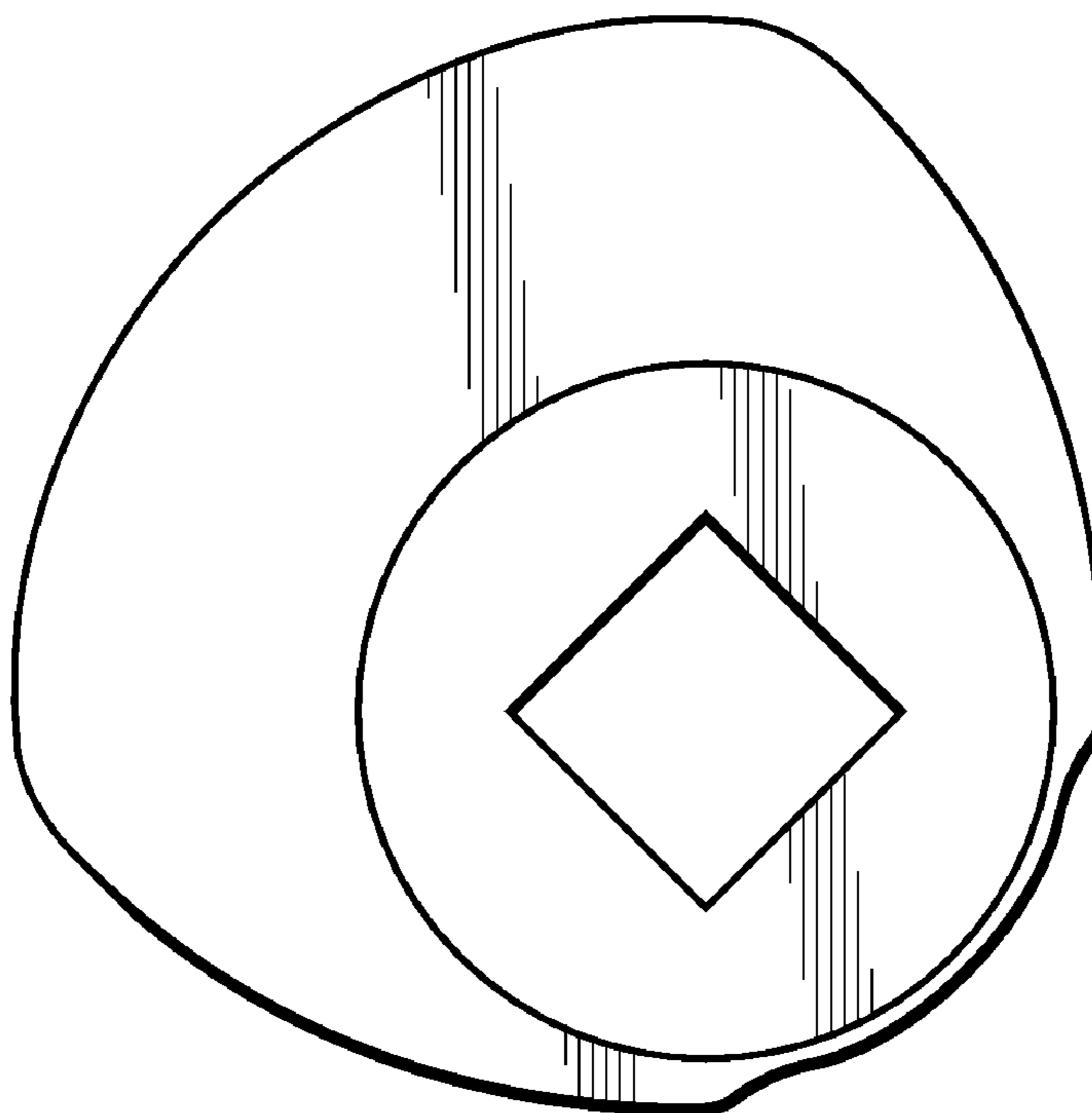
FIG. 3 is a side view thereof, the opposite side being a mirror image thereof;

FIG. 4 is a third perspective view thereof;

FIG. 5 is a fourth perspective view; and,

FIG. 6 is a front view thereof.

1 Claim, 4 Drawing Sheets



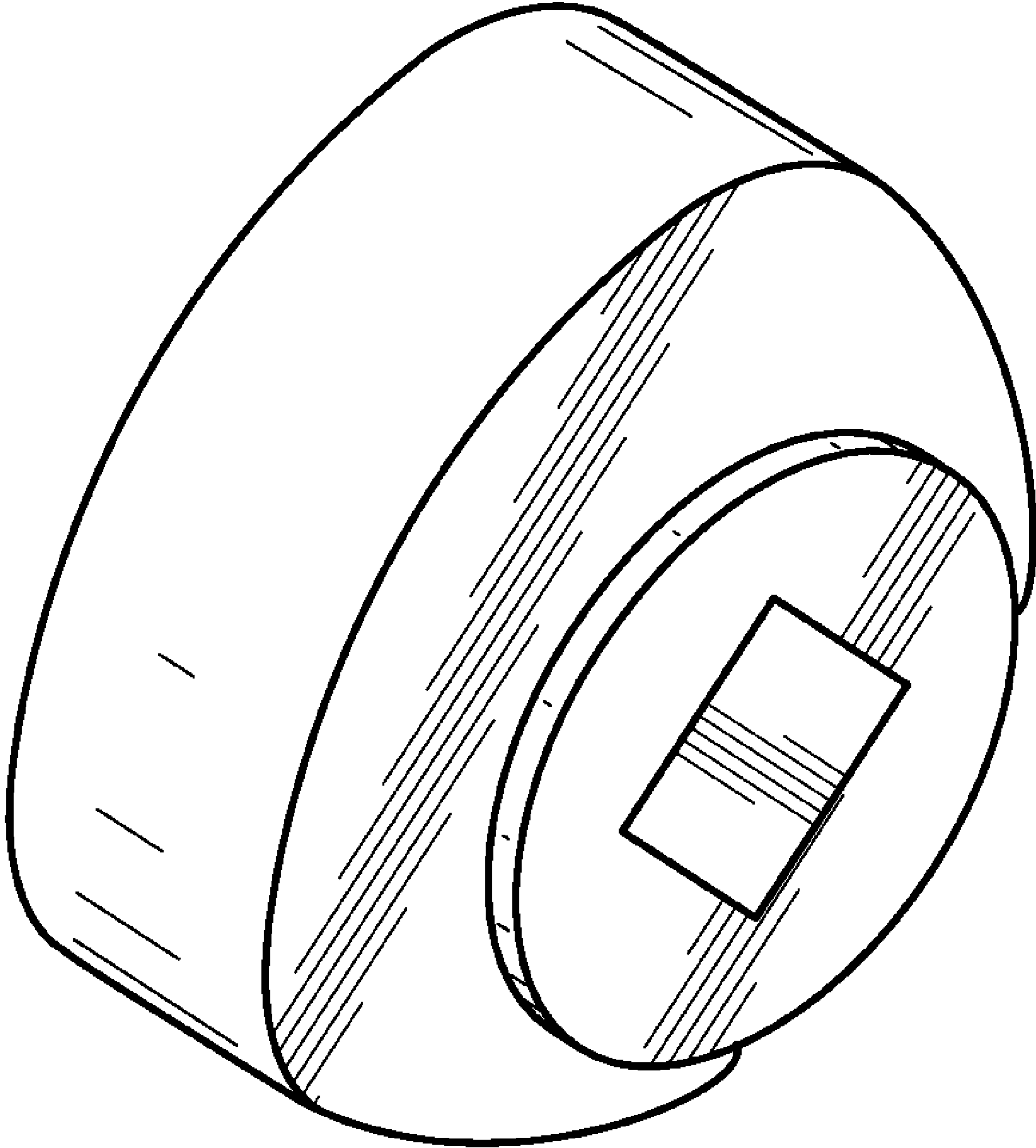


FIG. 1

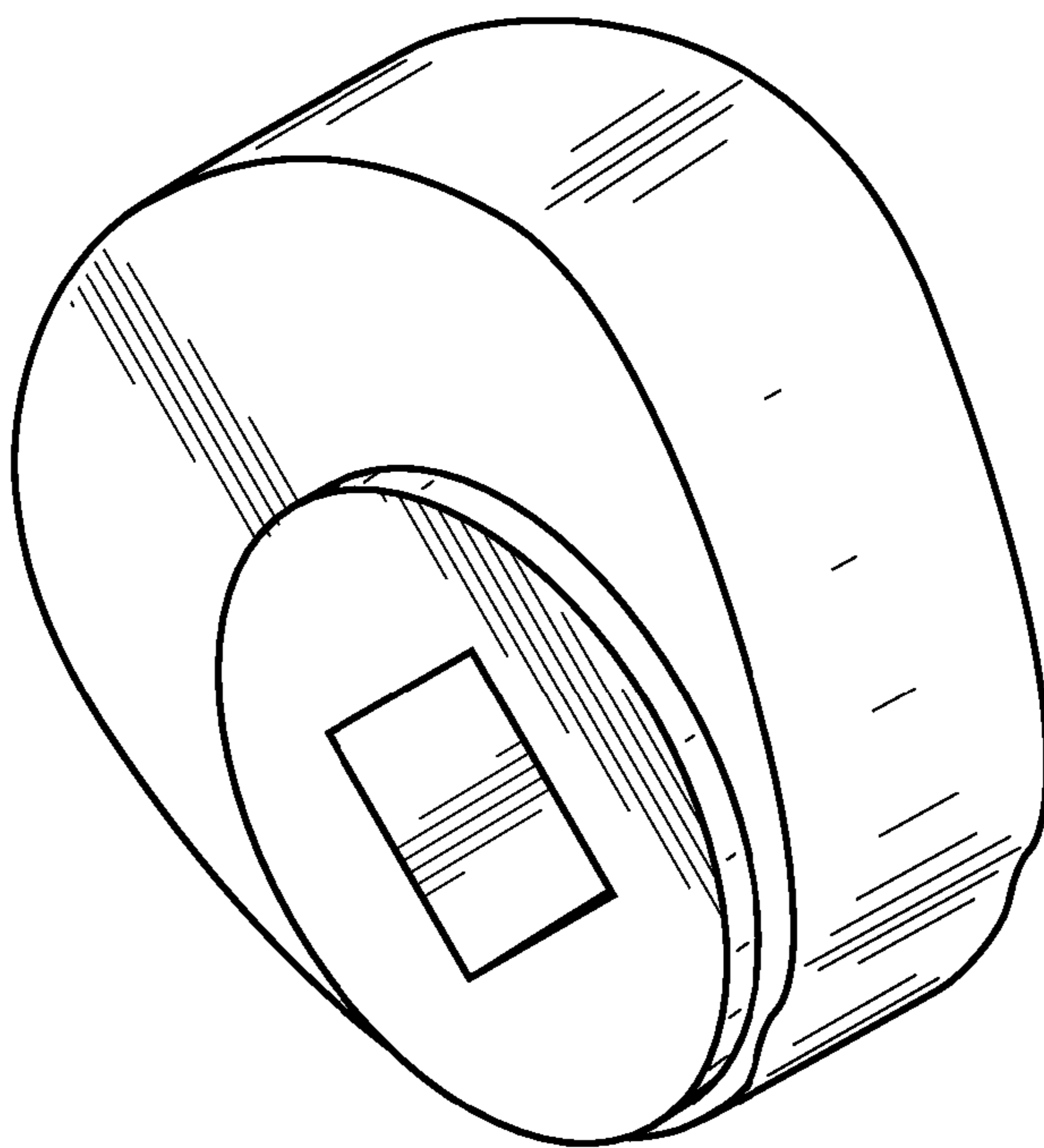


FIG. 2

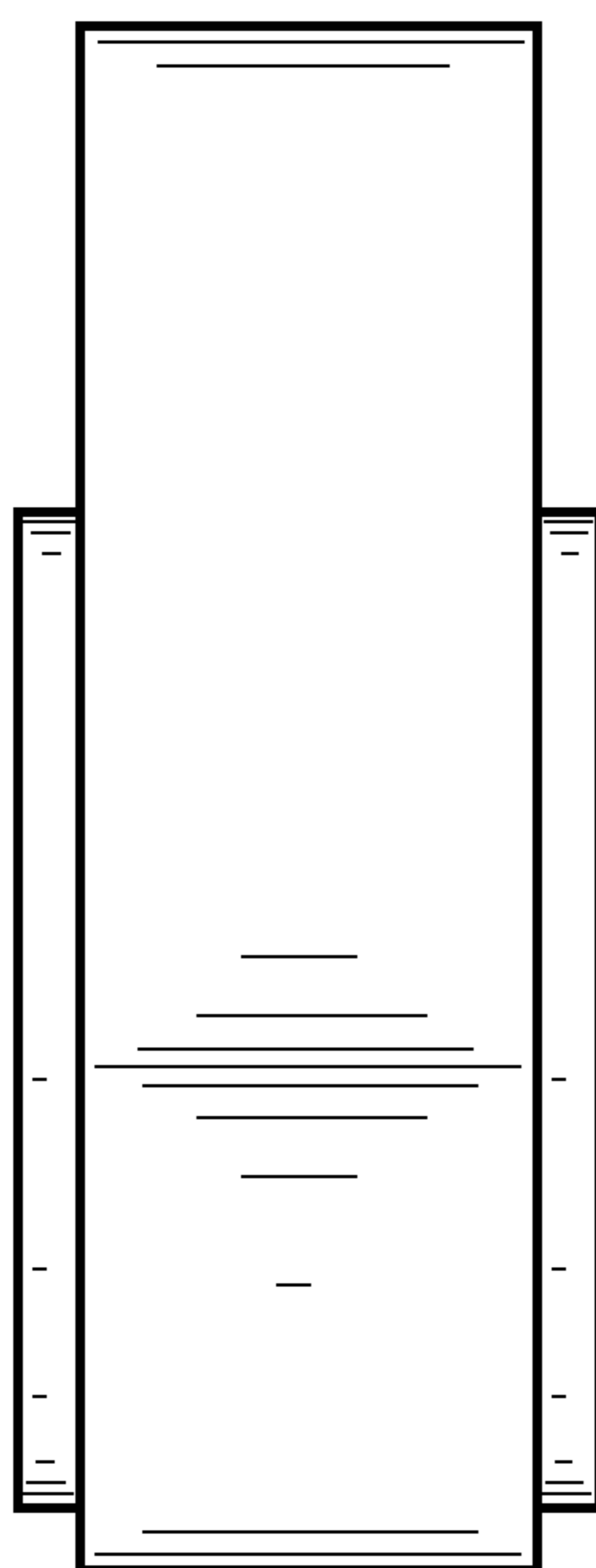


FIG. 3

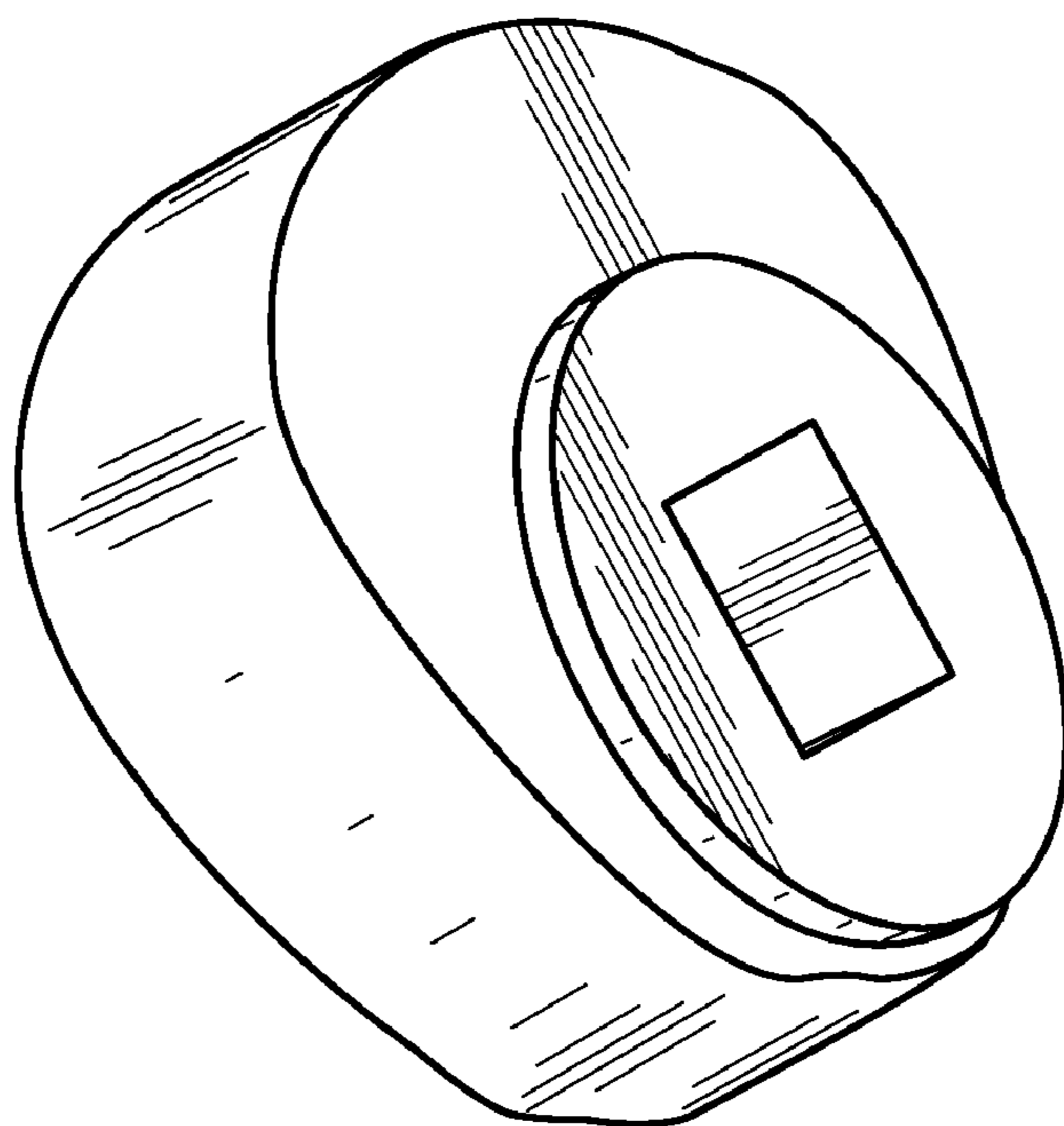


FIG. 4

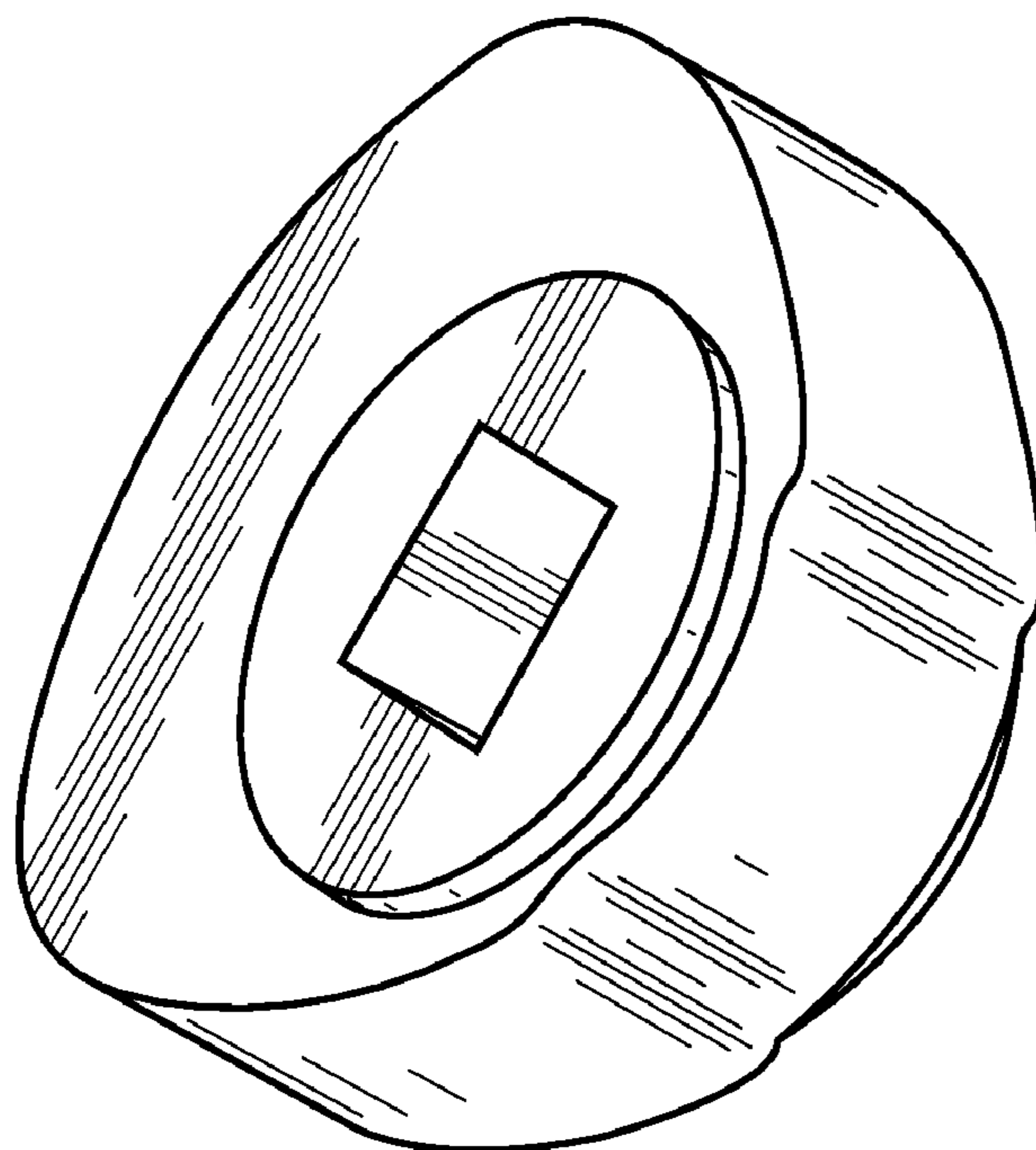


FIG. 5

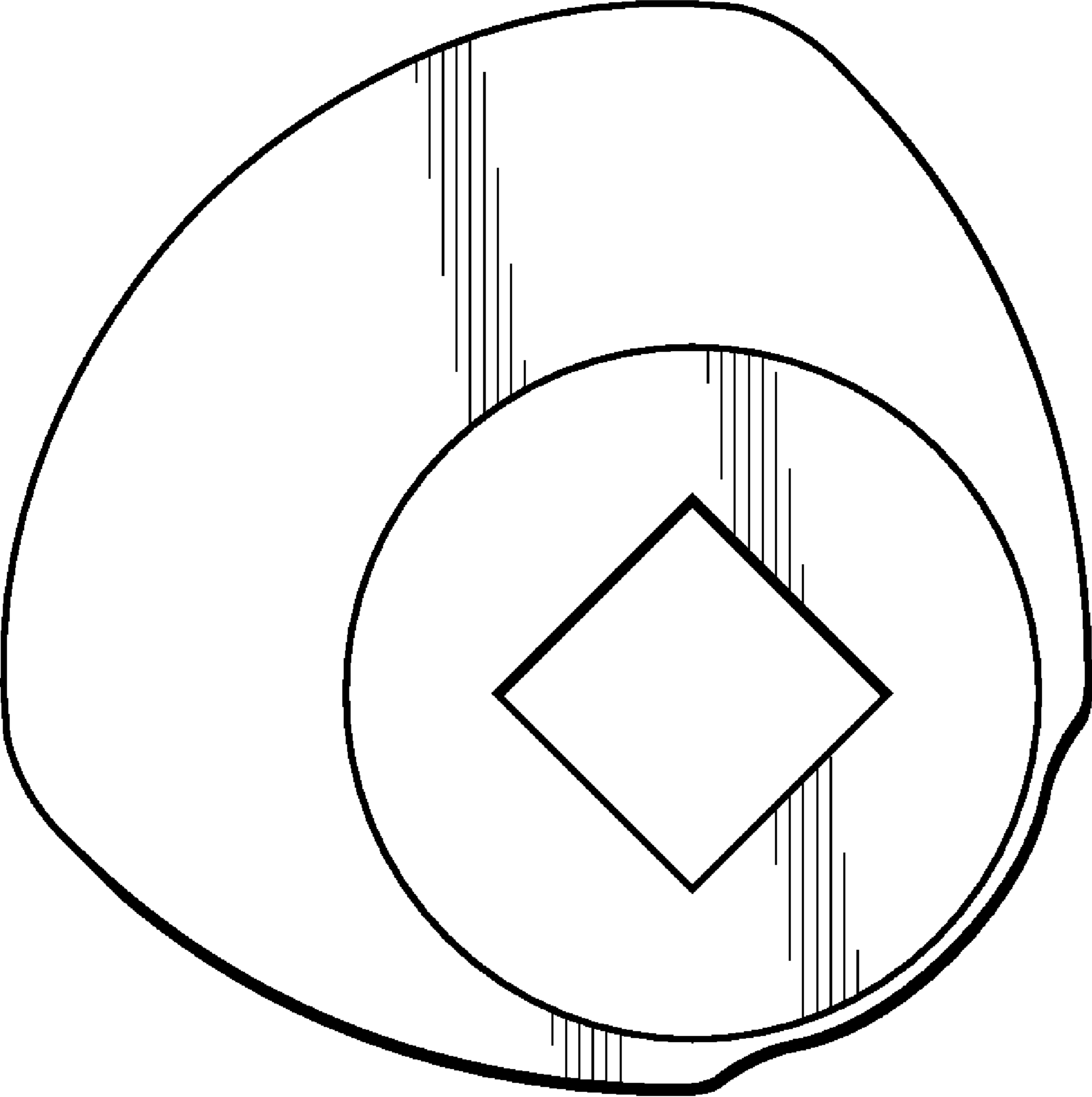


FIG. 6