



US00D585545S

(12) **United States Design Patent**  
**Carrio et al.**

(10) **Patent No.:** **US D585,545 S**  
(45) **Date of Patent:** **\*\* \*Jan. 27, 2009**

(54) **BLISTER PACK BOTTLE PORTION**

(75) Inventors: **Jeannine Marie Carrio**, Newark, DE (US); **Jay Mark Walters**, New London, PA (US); **Mark Richard Lloyd**, Elkton, MD (US); **David Russell Thompson**, Kennett Square, PA (US); **Jeffery Kenneth Parmer**, Newark, DE (US); **Richard Grear Warwick**, Newark, DE (US); **Thomas P. Shields**, Wayne, MI (US)

(73) Assignee: **Siemens Healthcare Diagnostics Inc.**, Deerfield, IL (US)

(\*\*) Term: **14 Years**

(21) Appl. No.: **29/243,440**

(22) Filed: **Nov. 23, 2005**

(51) **LOC (9) Cl.** ..... **24-02**

(52) **U.S. Cl.** ..... **D24/127**

(58) **Field of Classification Search** ..... D9/435, D9/452-454, 702-714; D24/112-113, 117-118, D24/121, 127-129, 224; 604/111, 249, 280, 604/283-284, 320, 323, 332, 335, 411-415  
See application file for complete search history.

(56) **References Cited**

**U.S. PATENT DOCUMENTS**

D263,746	S	*	4/1982	Johnson et al.	.....	D24/118
4,453,940	A	*	6/1984	Aoyagi et al.	.....	604/408
4,484,916	A	*	11/1984	McPhee	.....	604/256
D296,668	S		7/1988	Stavish	.....	D9/520
D319,698	S	*	9/1991	Arioka et al.	.....	D24/117
D326,228	S	*	5/1992	Stratford et al.	.....	D9/521

(Continued)

*Primary Examiner*—Louis S Zarfaz

*Assistant Examiner*—Eric L Goodman

(74) *Attorney, Agent, or Firm*—Leland K. Jordan

(57) **CLAIM**

The ornamental design for a blister pack bottle portion, as shown and described.

**DESCRIPTION**

The present invention relates to a clinical solution blister pack bottle having a foot portion.

FIG. 1 is a perspective view of a first embodiment of a bottle portion showing the new design;

FIG. 2 is a front elevation view thereof, the rear elevation view being identical except for the unclaimed broken lines;

FIG. 3 is right side elevation view thereof, the left side elevation view being identical except for the unclaimed broken lines;

FIG. 4 is a bottom plan view thereof;

FIG. 5 is a perspective view of a second embodiment of a bottle portion showing the new design;

FIG. 6 is a front elevation view of the embodiment of FIG. 5, the rear elevation view being identical except for the unclaimed broken lines;

FIG. 7 is a bottom plan view of the embodiment of FIG. 5;

FIG. 8 is a perspective view of a third embodiment of a bottle portion showing the new design;

FIG. 9 is a front elevation view of the embodiment of FIG. 8, the rear elevation view being identical except for the unclaimed broken lines;

FIG. 10 is a bottom plan view of the embodiment of FIG. 8;

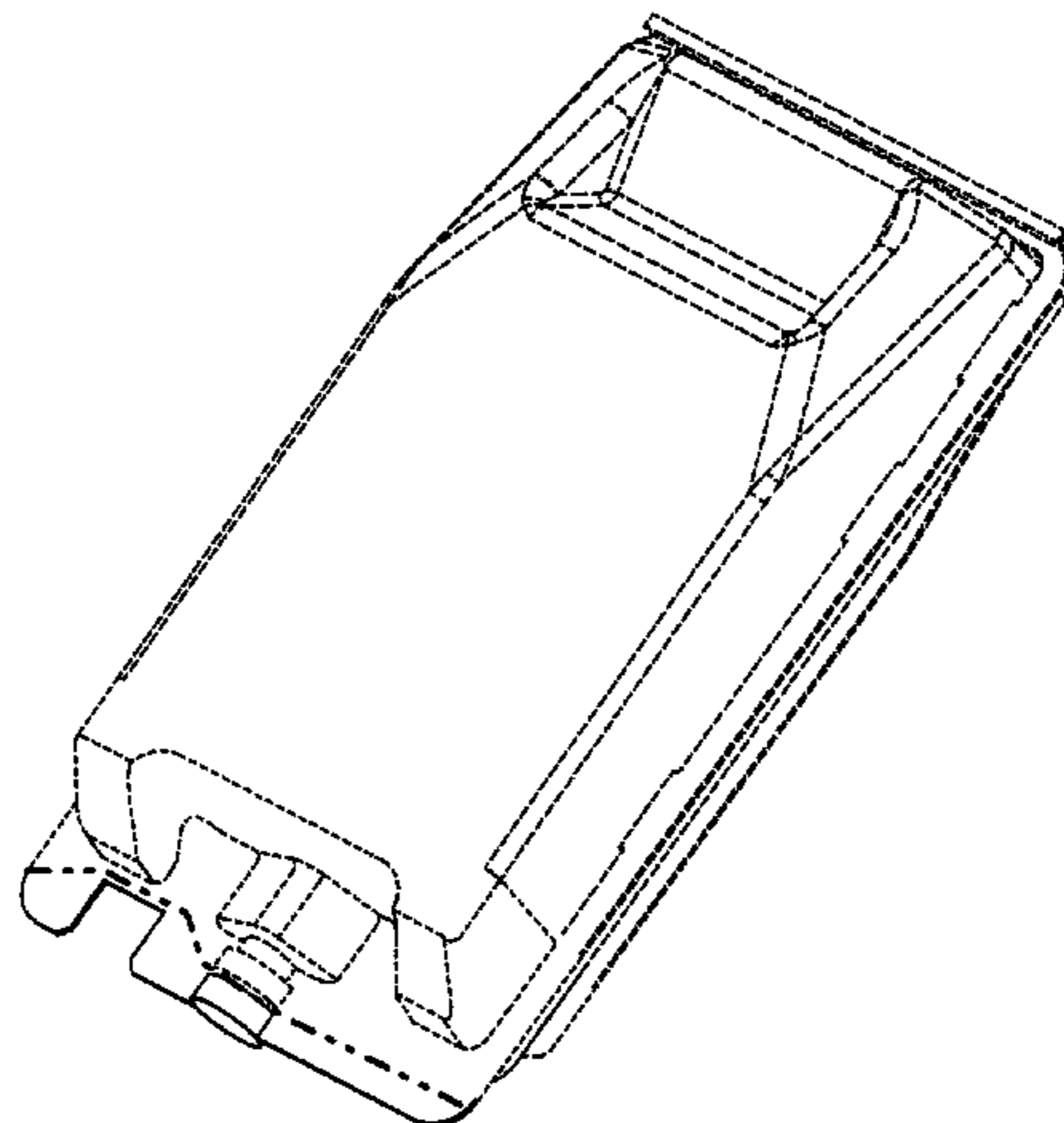
FIG. 11 is a perspective view of a fourth embodiment of a bottle portion showing the new design; and,

FIG. 12 is a front elevation view of the embodiment of FIG. 11, the rear elevation view being identical except for the unclaimed broken lines; and,

FIG. 13 is a bottom plan view of the embodiment of FIG. 11.

The dot-dot-dash-dot-dot-dash broken lines shown in the drawings define the boundary of the claimed design. The dot-dot-dash-dot-dot-dash broken lines shown in the drawings are for illustrative purposes only and form no part of the claimed design.

**1 Claim, 13 Drawing Sheets**



# US D585,545 S

Page 2

---

## U.S. PATENT DOCUMENTS

D332,544 S	1/1993	Steiner et al. ....	D6/545	D407,826 S *	4/1999	Yamazaki et al. ....	D24/224
D341,157 S *	11/1993	Kitahara et al. ....	D18/56	5,899,334 A	5/1999	Domerchie et al. ....	206/470
D342,140 S	12/1993	Sakagami et al. ....	D24/224	6,070,723 A	6/2000	Lewis .....	206/335
D358,219 S	5/1995	Ushikubo .....	D24/224	D439,328 S *	3/2001	Nielsen .....	D24/118
D398,054 S *	9/1998	Eek .....	D24/118	D456,075 S *	4/2002	Clements et al. ....	D24/121
D400,263 S *	10/1998	Shugart .....	D24/224	D492,773 S *	7/2004	Ellingboe et al. ....	D24/129
D406,351 S *	3/1999	Yamazaki et al. ....	D24/224	D502,268 S *	2/2005	Sakai et al. ....	D24/224

\* cited by examiner

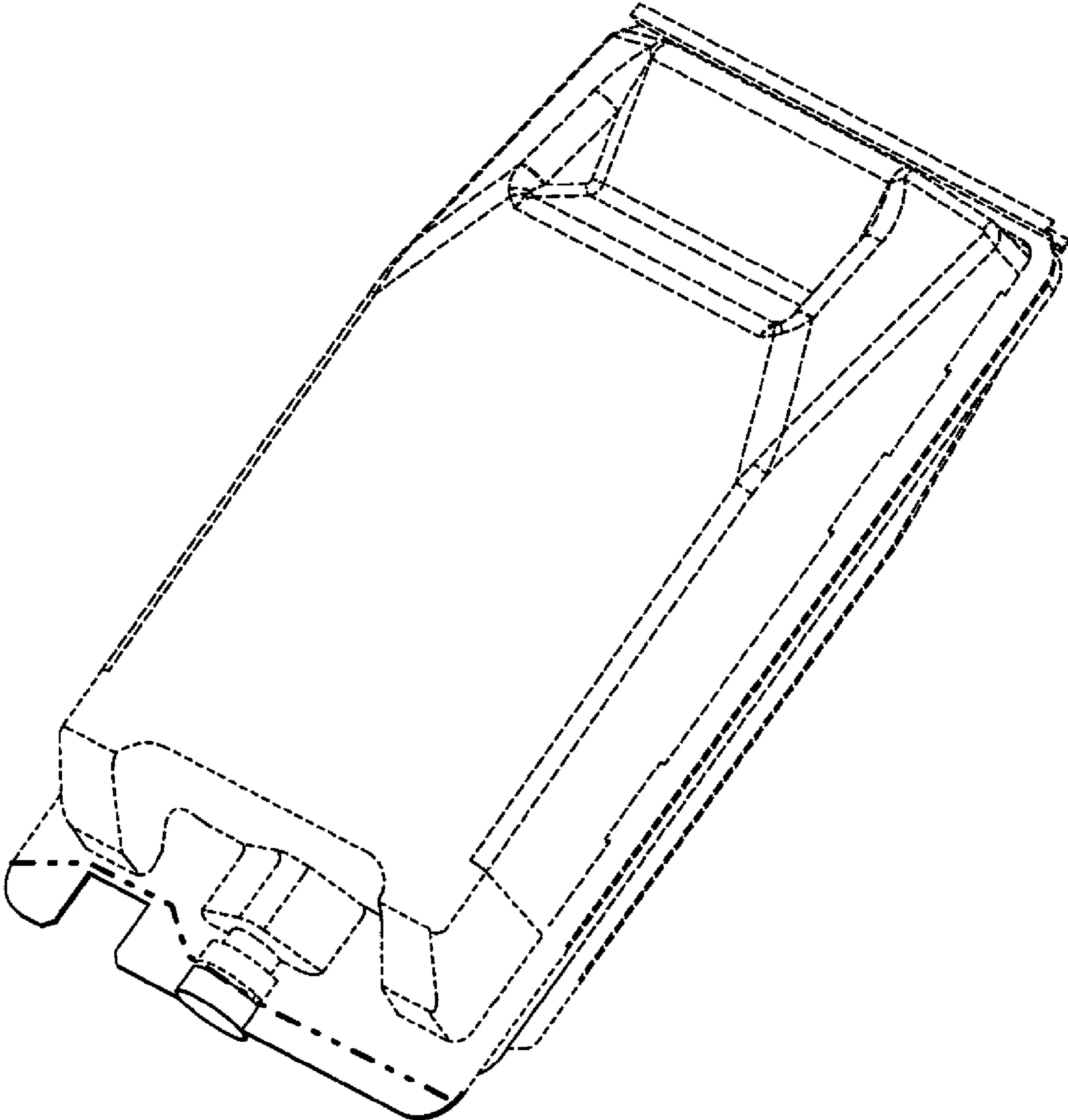


FIG. 1

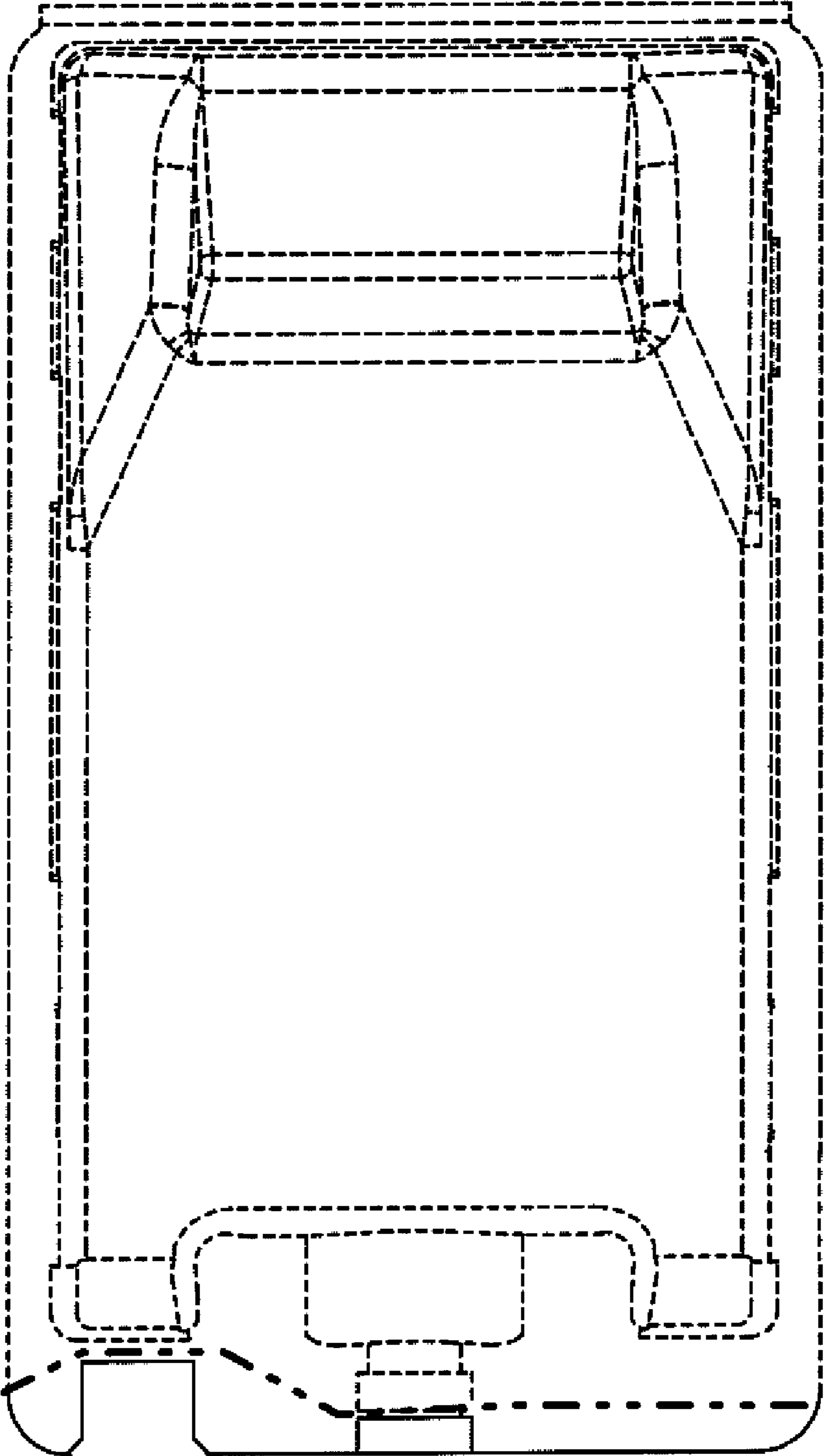


FIG. 2

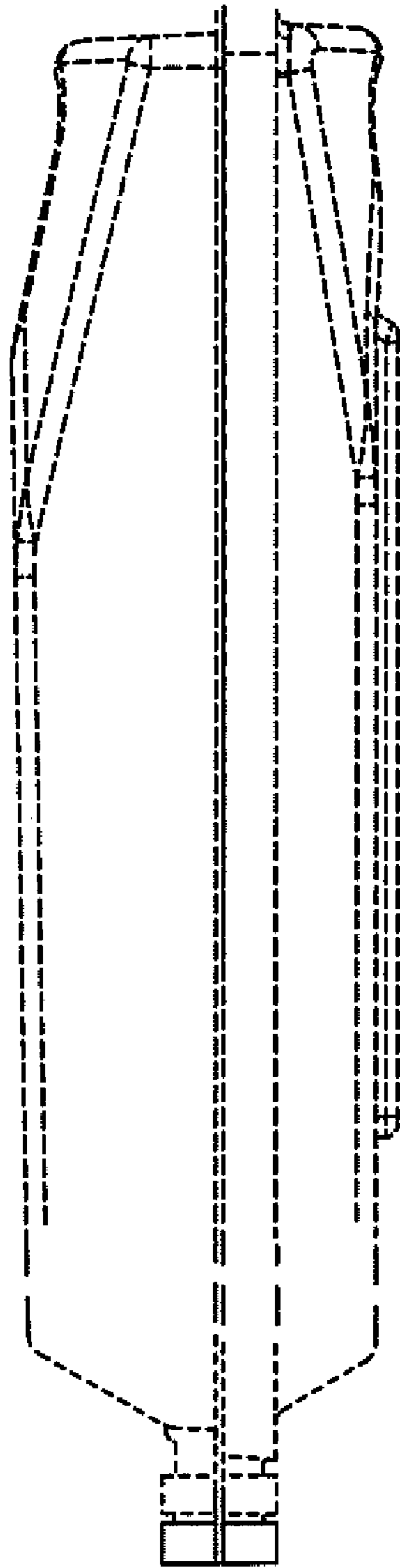


FIG. 3

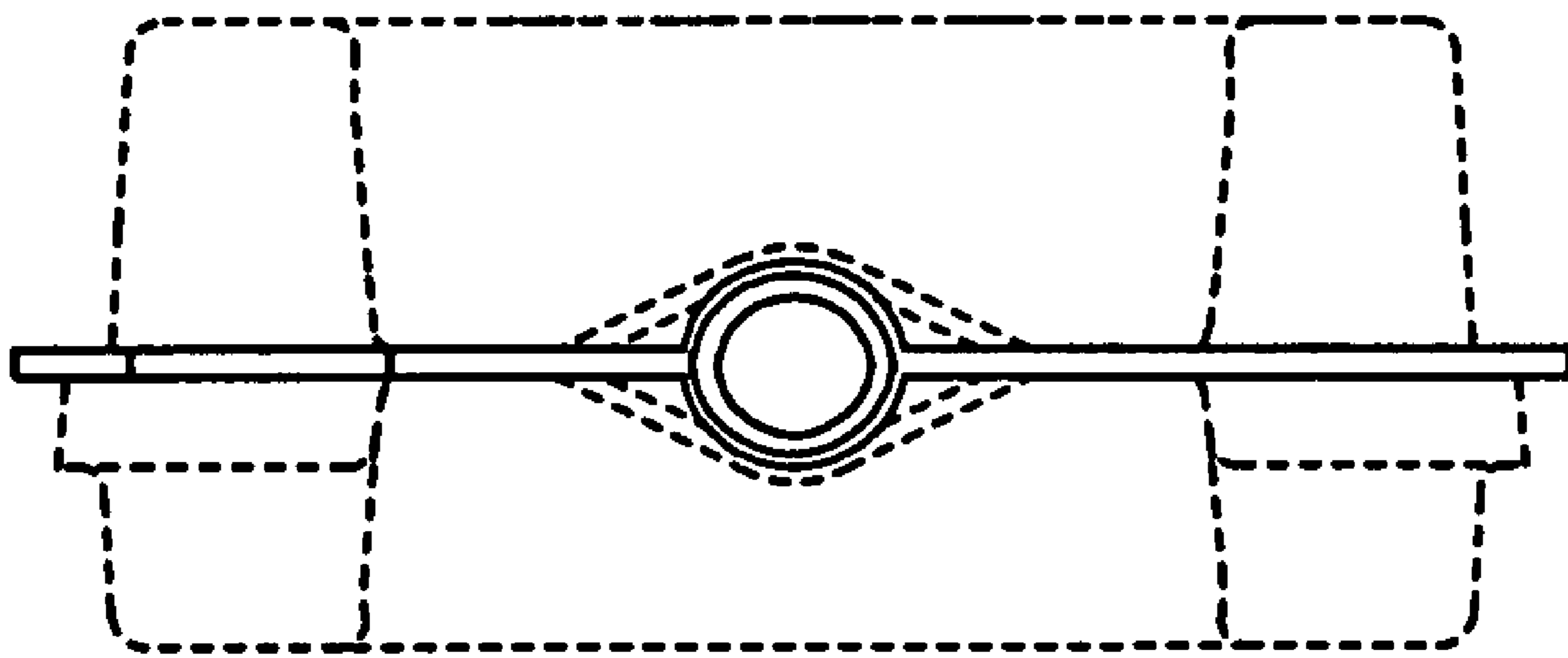


FIG. 4

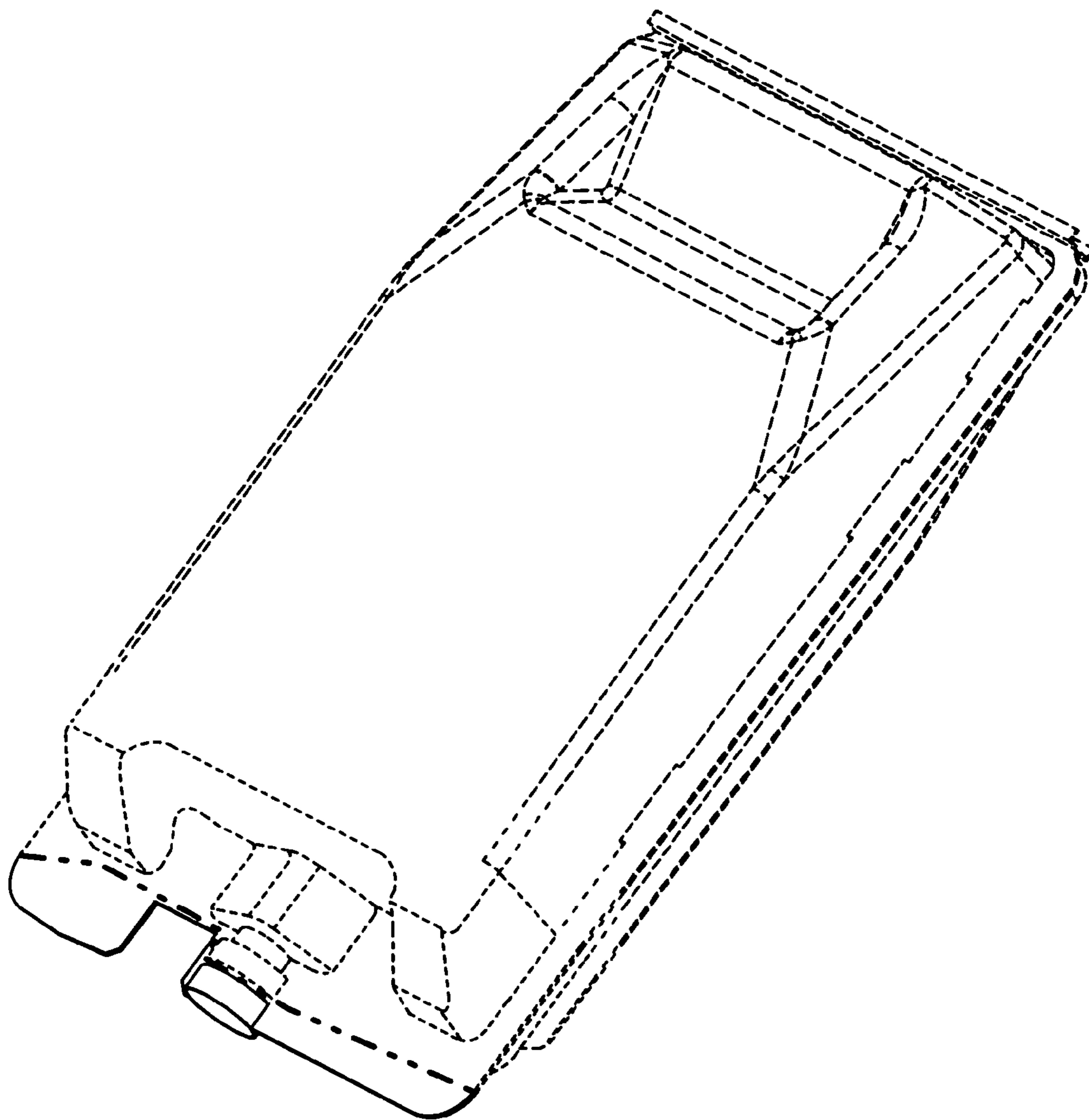


FIG. 5

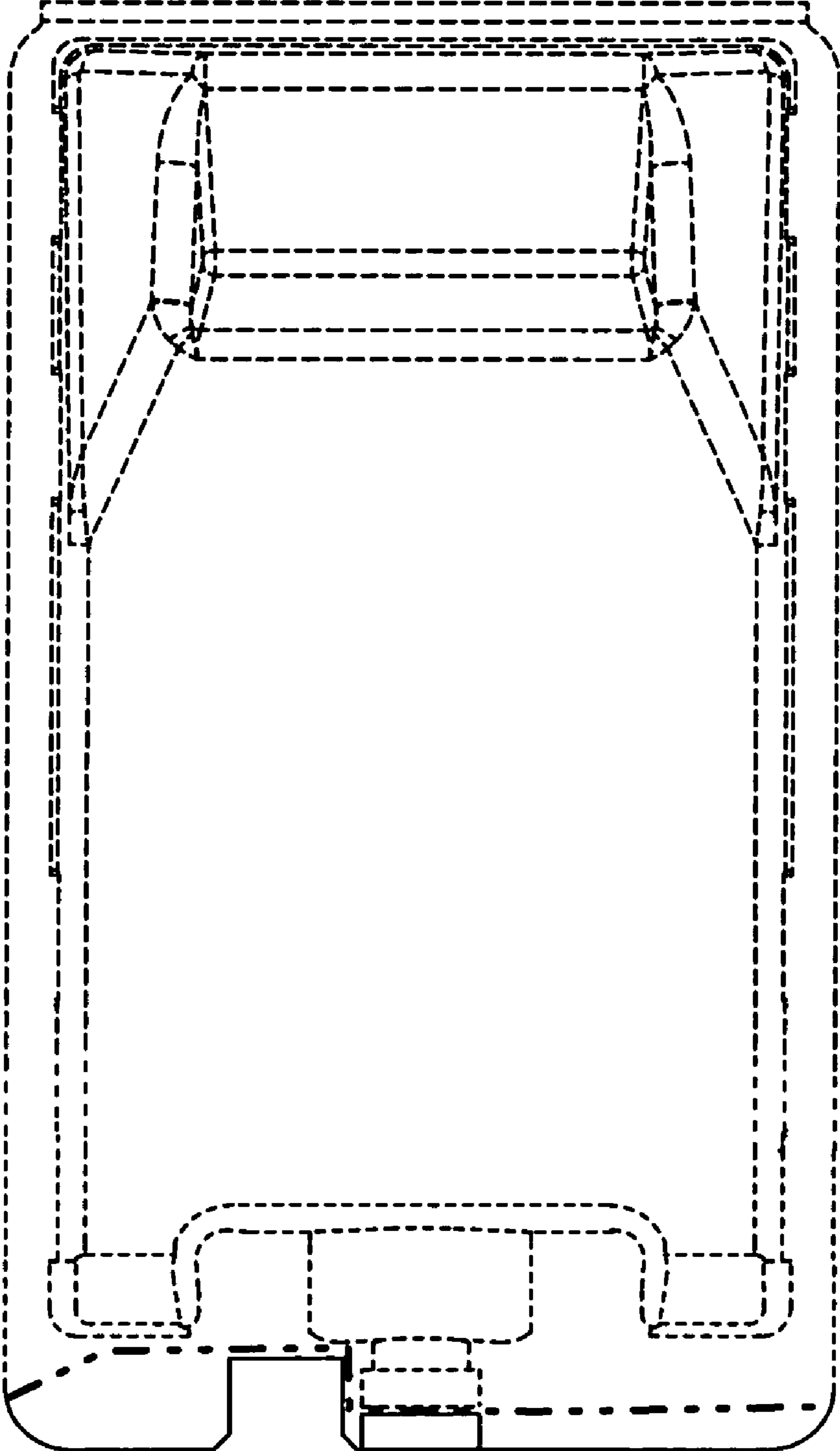


FIG. 6



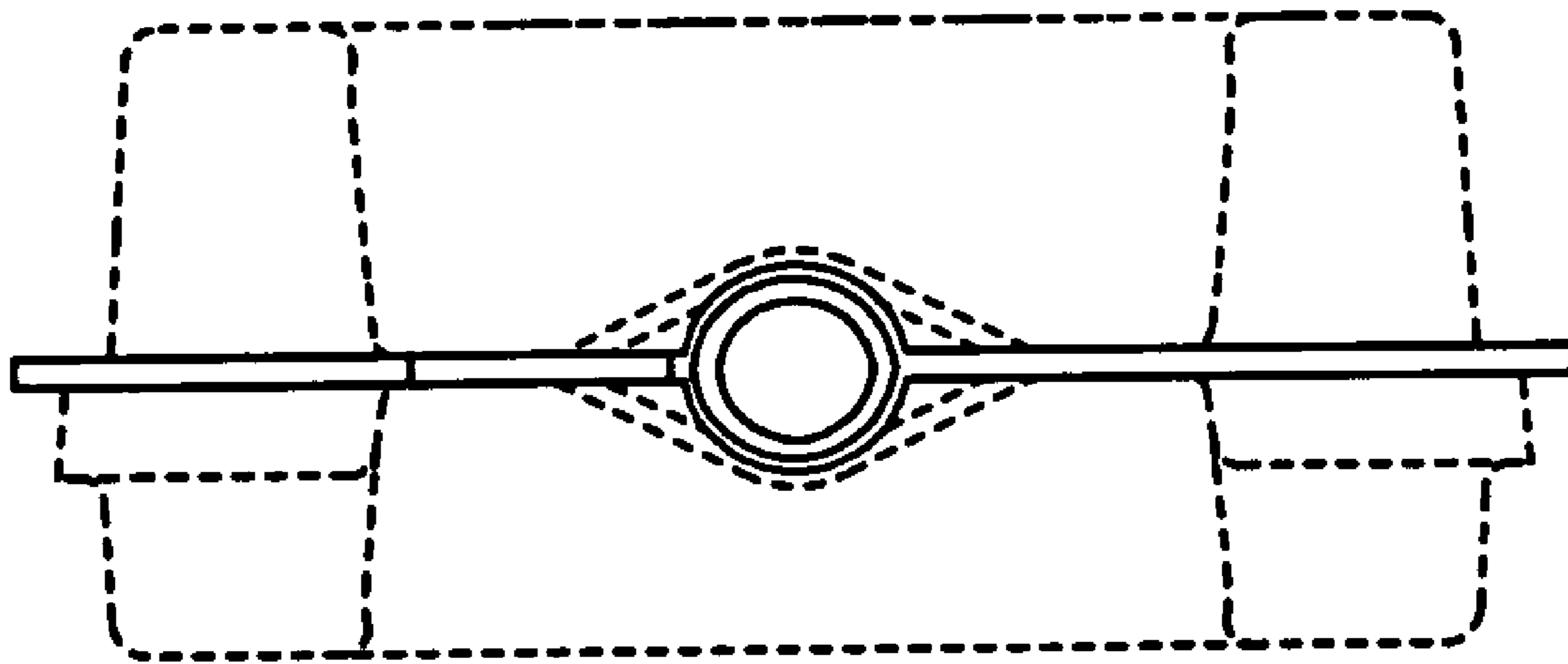


FIG. 7

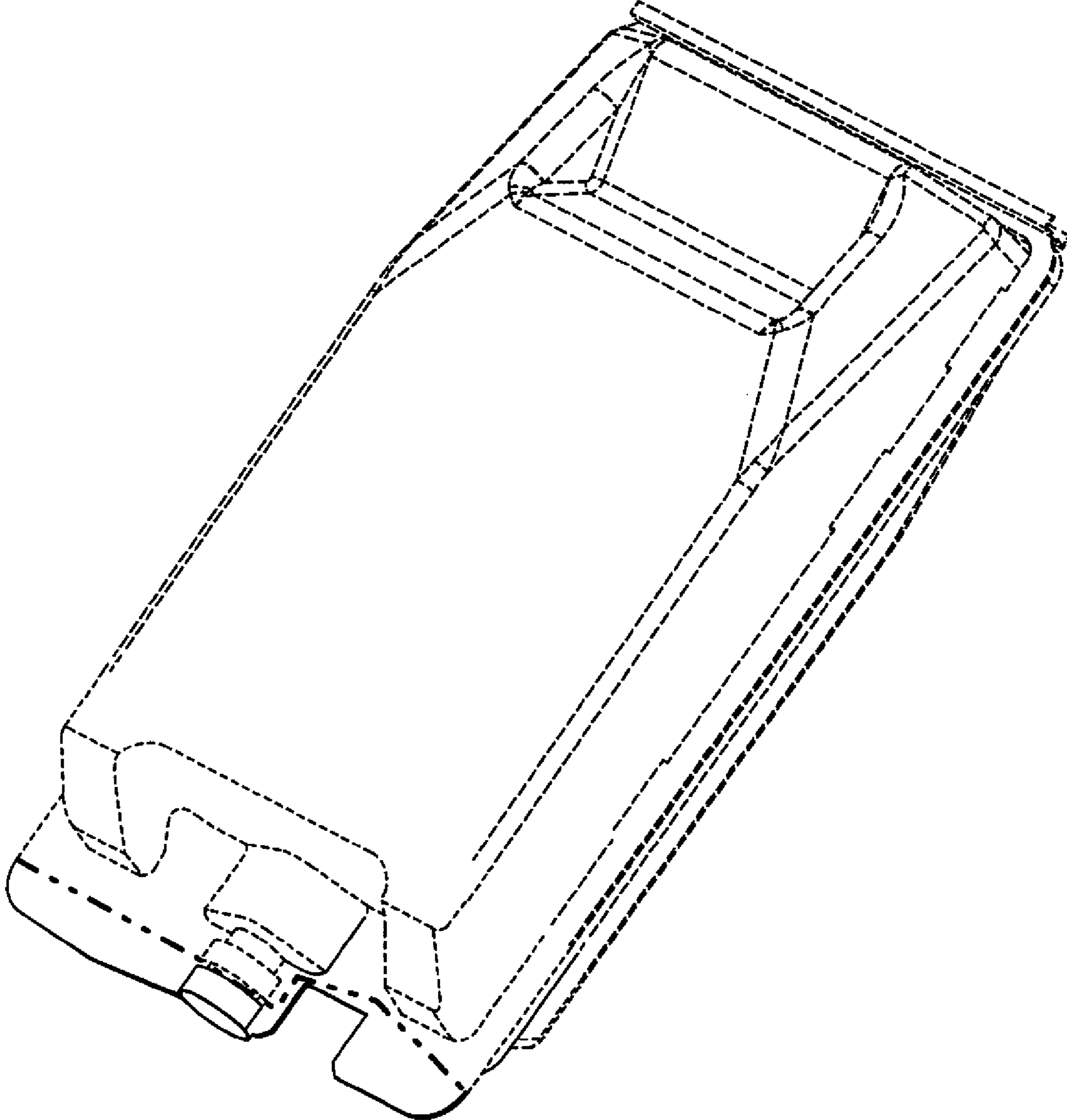


FIG. 8

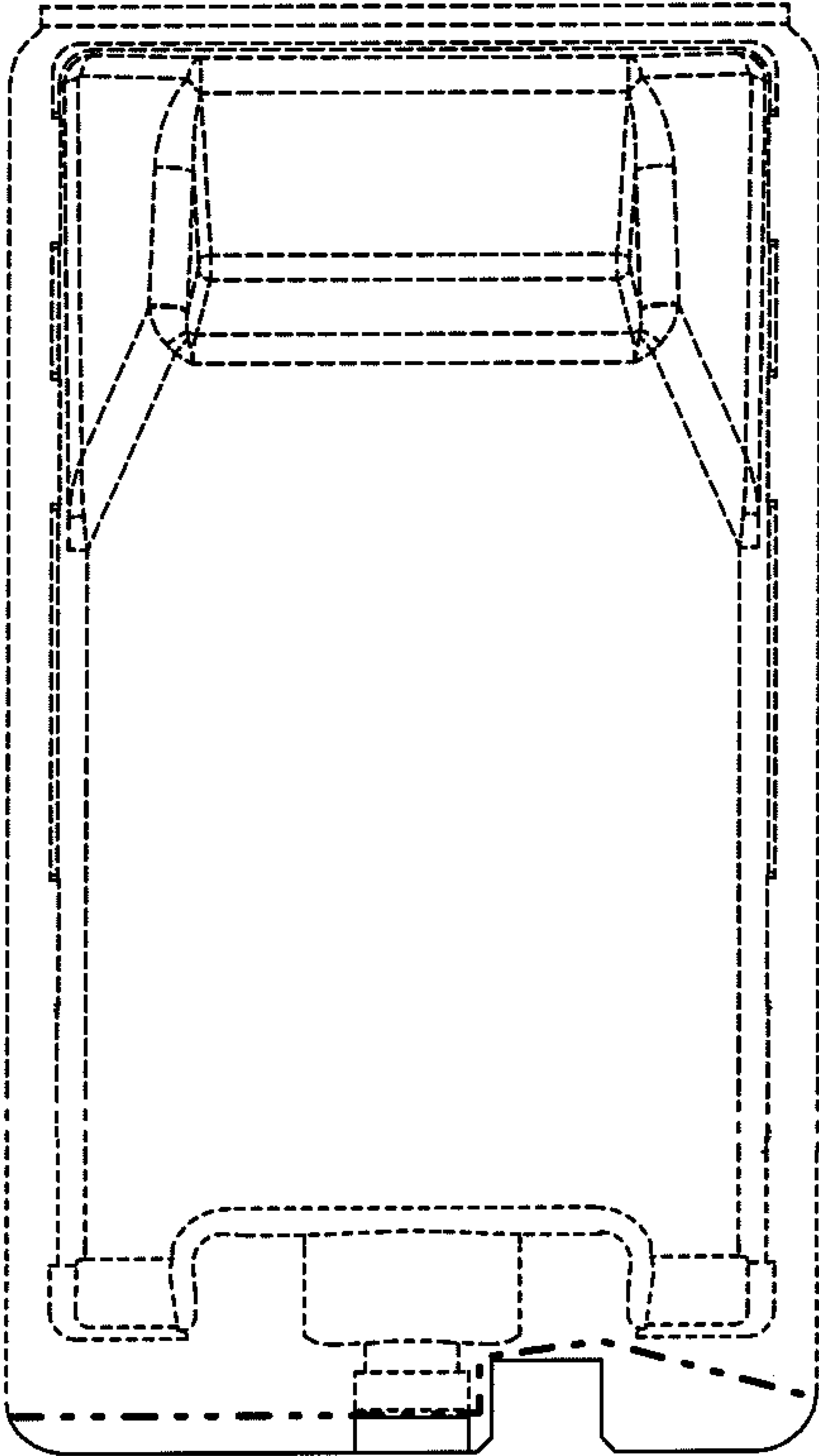


FIG. 9

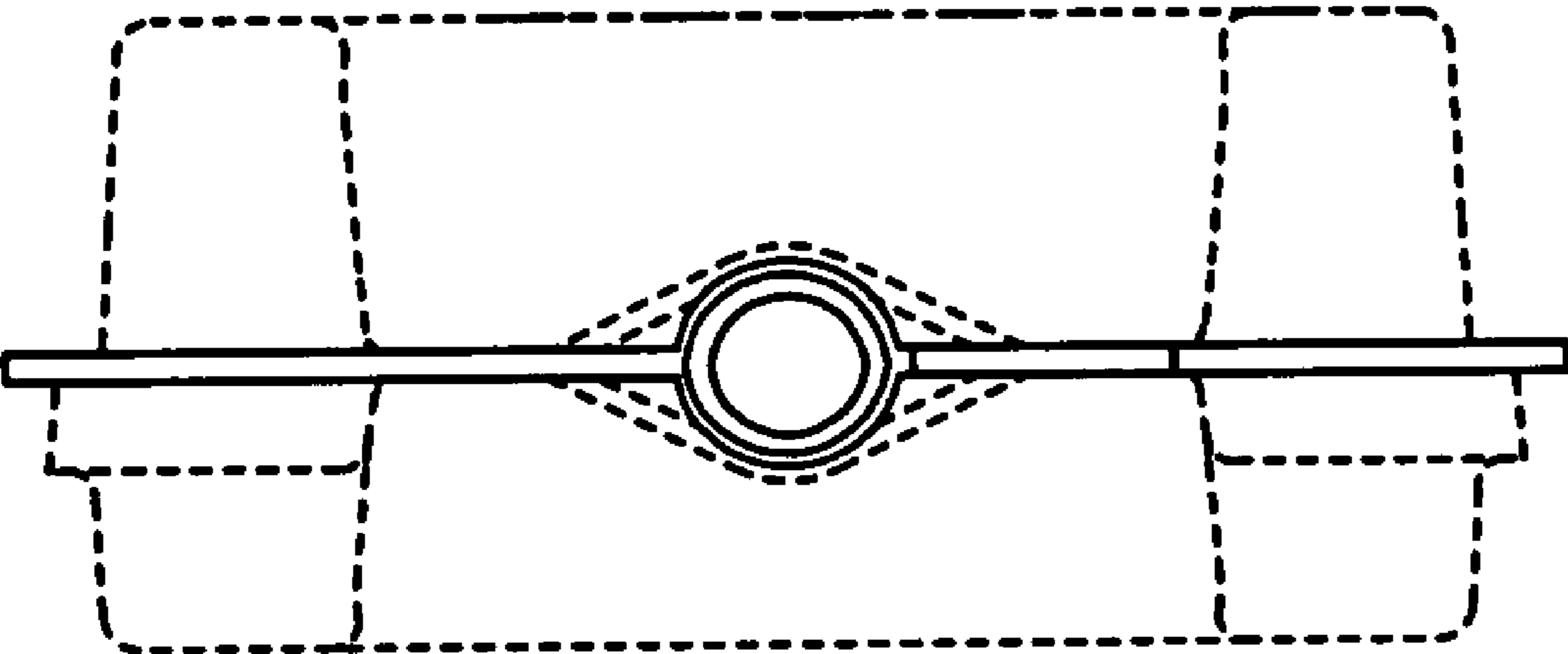


FIG. 10

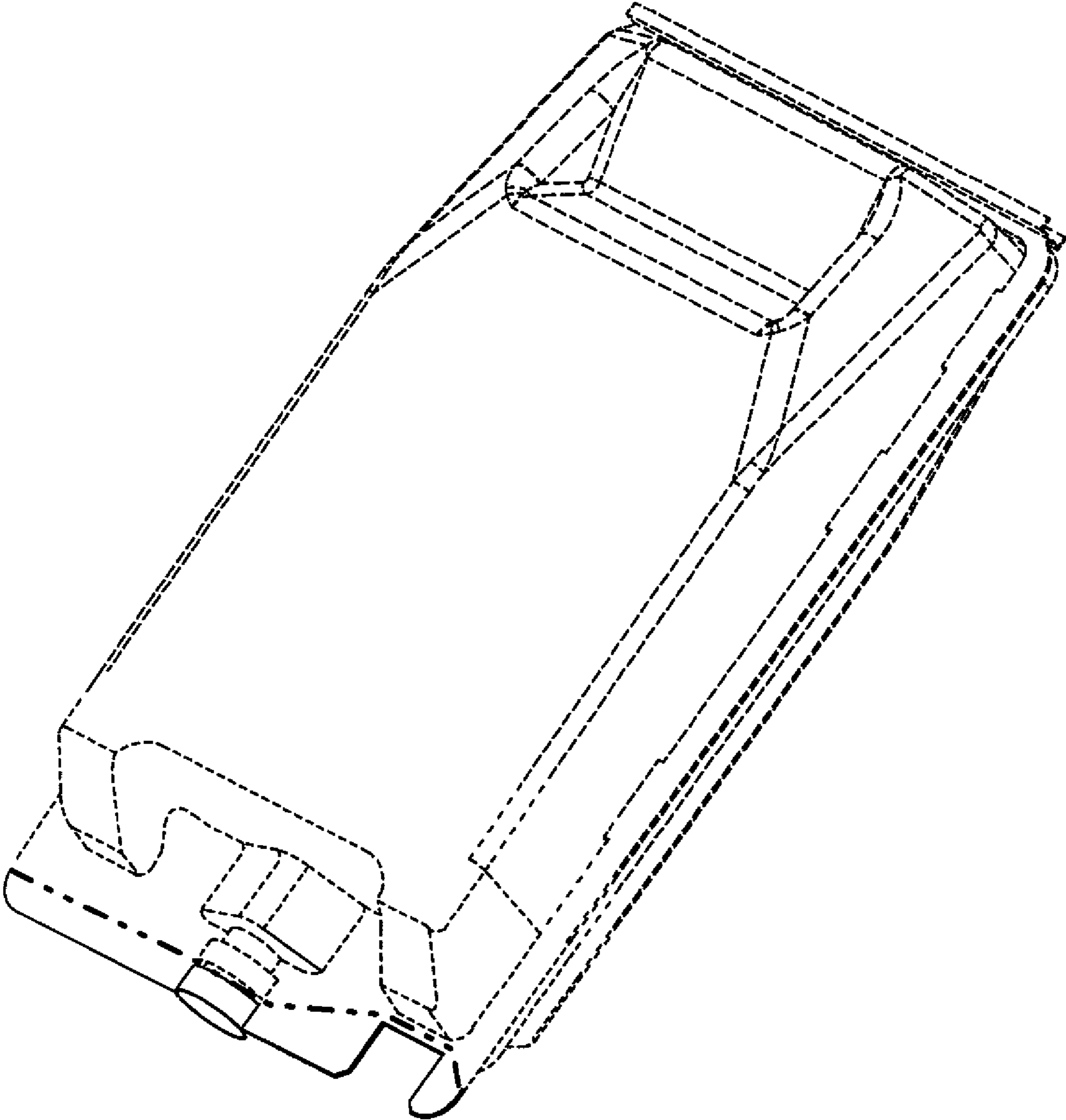


FIG. 11

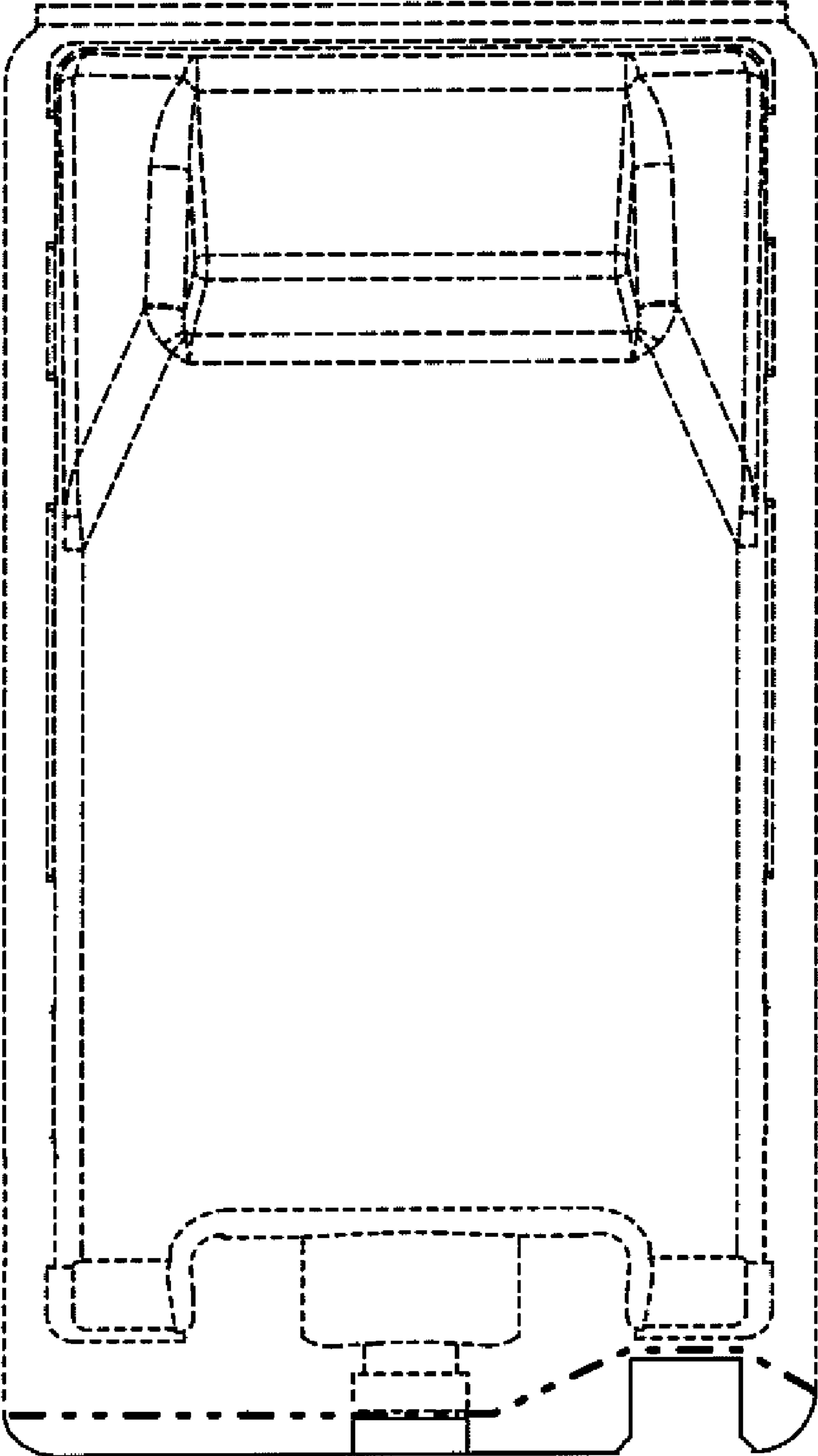


FIG. 12

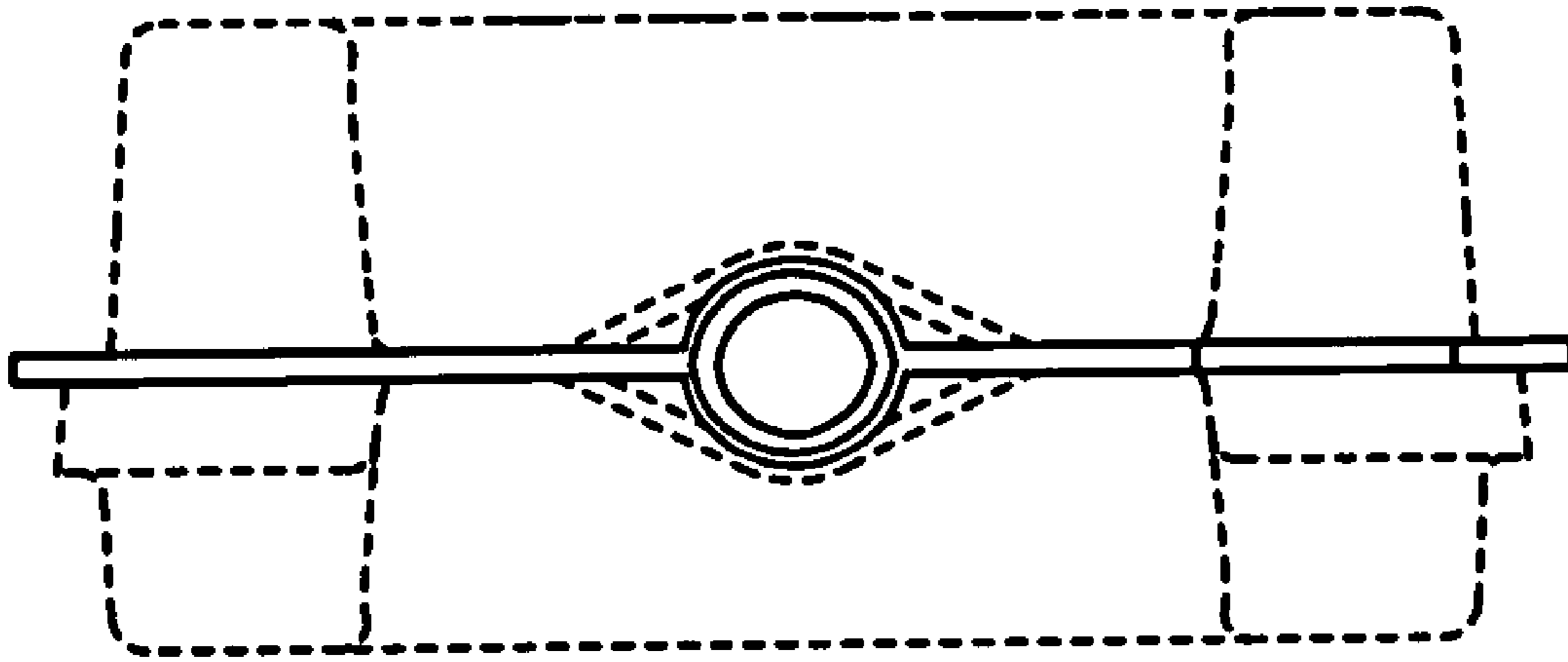


FIG. 13

UNITED STATES PATENT AND TRADEMARK OFFICE  
**CERTIFICATE OF CORRECTION**

PATENT NO. : Des. 585,545 S  
APPLICATION NO. : 29/243440  
DATED : January 27, 2009  
INVENTOR(S) : Carrio et al.

Page 1 of 1

It is certified that error appears in the above-identified patent and that said Letters Patent is hereby corrected as shown below:

On the Title Page item (75); delete "Jeffery" and insert --Jeffrey--

Signed and Sealed this

Twenty-third Day of March, 2010

A handwritten signature in black ink that reads "David J. Kappos". The signature is written in a cursive style with a large initial 'D' and 'K'.

David J. Kappos  
*Director of the United States Patent and Trademark Office*