



US00D585543S

(12) **United States Design Patent**
Yodfat et al.

(10) **Patent No.:** **US D585,543 S**
(45) **Date of Patent:** **** Jan. 27, 2009**

(54) **DRUG DELIVERY PUMP**

(75) Inventors: **Ofer Yodfat**, Maccabim-Reut (IL);
Avraham Neta, D.N. Misgav (IL); **Ofer Arnold**, Menashe' (IL)

(73) Assignee: **Medingo, Ltd.**, Yoqneam Illit (IL)

(**) Term: **14 Years**

(21) Appl. No.: **29/286,069**

(22) Filed: **Apr. 19, 2007**

(51) **LOC (9) Cl.** **24-02**

(52) **U.S. Cl.** **D24/111**

(58) **Field of Classification Search** D24/108,
D24/111, 169, 186; 604/155, 154, 891.1;
128/DIG. 1, DIG. 2

See application file for complete search history.

(56) **References Cited**

U.S. PATENT DOCUMENTS

- D434,150 S * 11/2000 Tumey et al. D24/169
- D439,341 S * 3/2001 Tumey et al. D24/169
- D457,949 S * 5/2002 Krug et al. D24/111
- D465,026 S * 10/2002 May et al. D24/169
- D471,274 S * 3/2003 Diaz et al. D24/111
- D549,343 S * 8/2007 Schlagheck et al. D24/169
- D554,266 S * 10/2007 Striepe et al. D24/186

- D554,759 S * 11/2007 Barker D24/186
- D564,087 S * 3/2008 Yodfat et al. D24/108
- 2007/0233051 A1 * 10/2007 Hohl et al. 604/891.1

* cited by examiner

Primary Examiner—Ian Simmons

Assistant Examiner—Carissa C Fitts

(74) *Attorney, Agent, or Firm*—Mintz, Levin, Cohn, Ferris,
Glovsky & Popeo PC

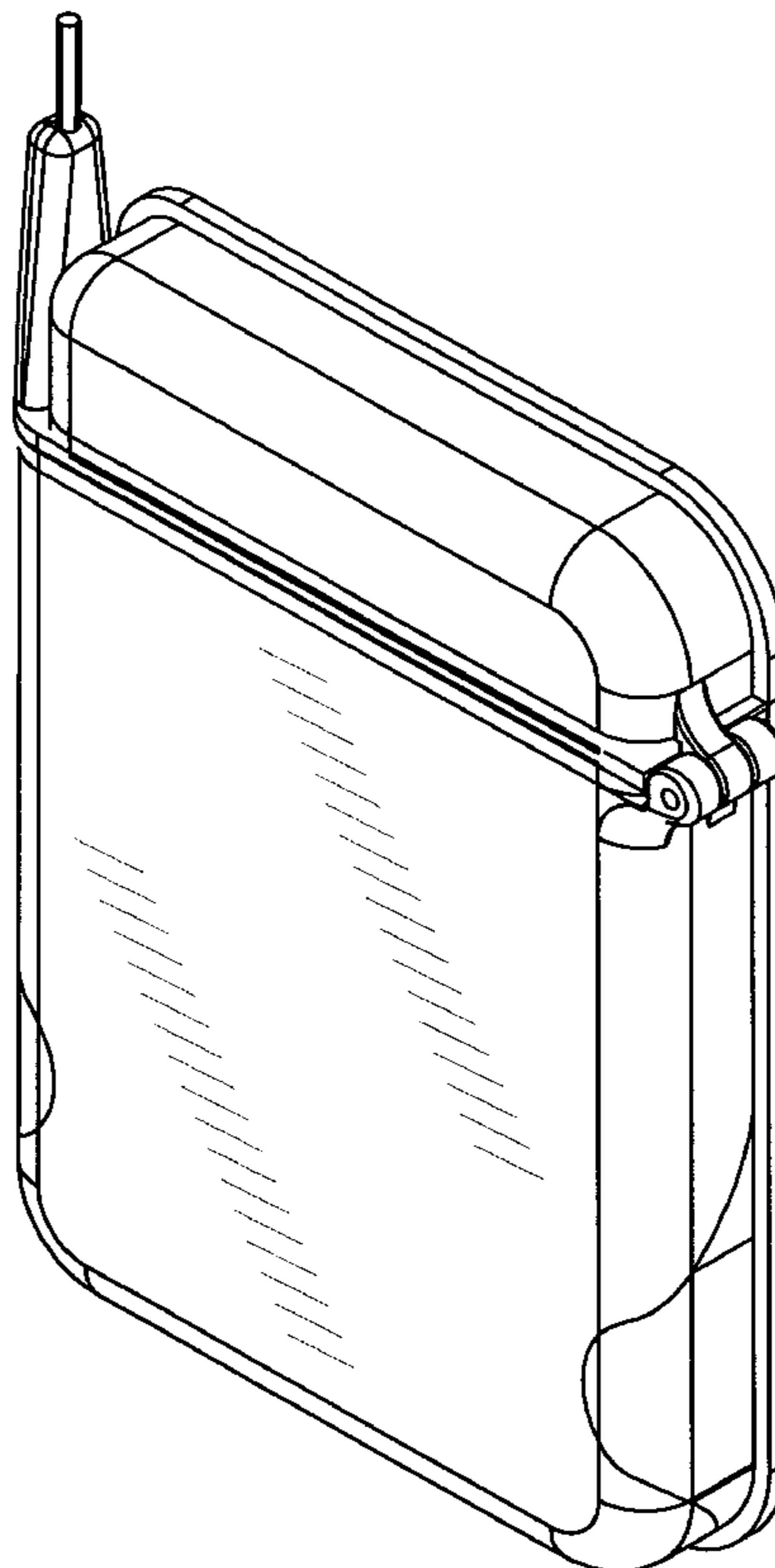
(57) **CLAIM**

The ornamental design for a drug delivery pump, as shown and described.

DESCRIPTION

- FIG. 1 is a right side view of a drug delivery pump;
- FIG. 2 is a left side view of a drug delivery pump;
- FIG. 3 is a front side view of a drug delivery pump;
- FIG. 4 is a rear view of a drug delivery pump;
- FIG. 5 is a top view of a drug delivery pump;
- FIG. 6 is a bottom view of a drug delivery pump;
- FIG. 7 is a first isometric view of a drug delivery pump;
- FIG. 8 is a second isometric view of a drug delivery pump;
- and,
- FIG. 9 is a third isometric view of a drug delivery pump.

1 Claim, 8 Drawing Sheets



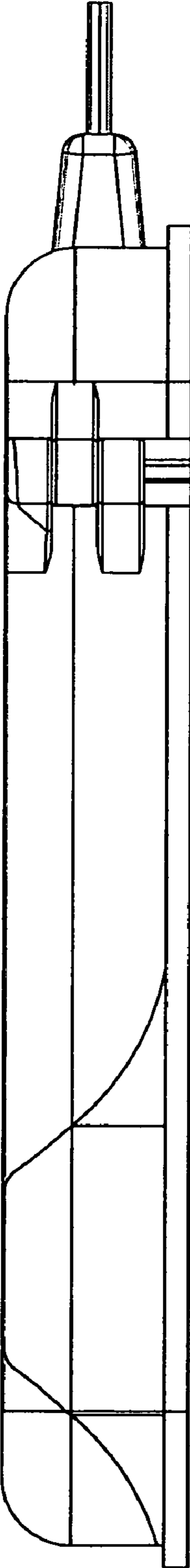


FIG. 1

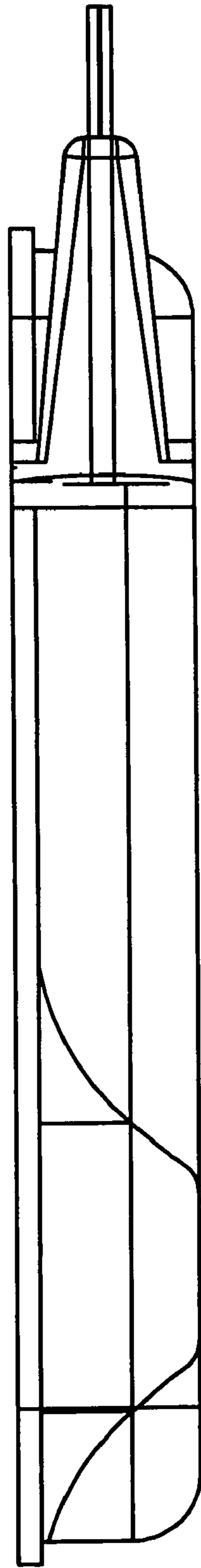


FIG. 2

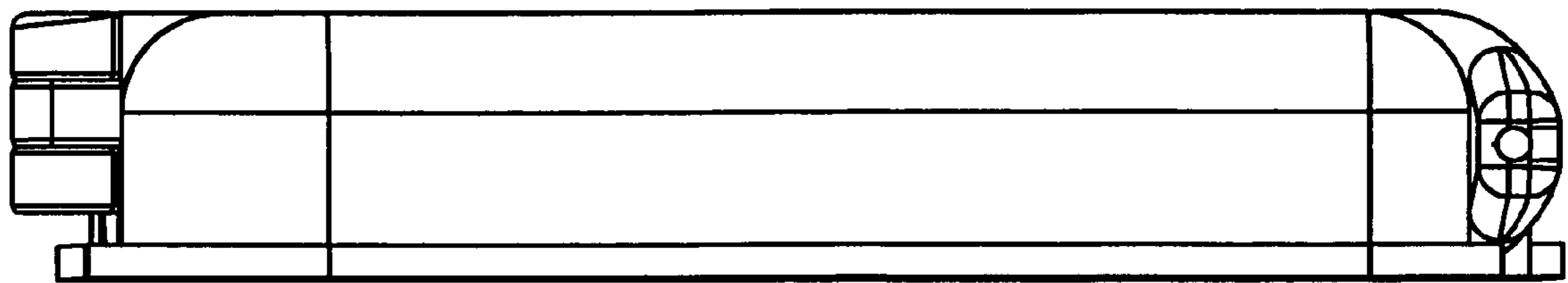


FIG. 3

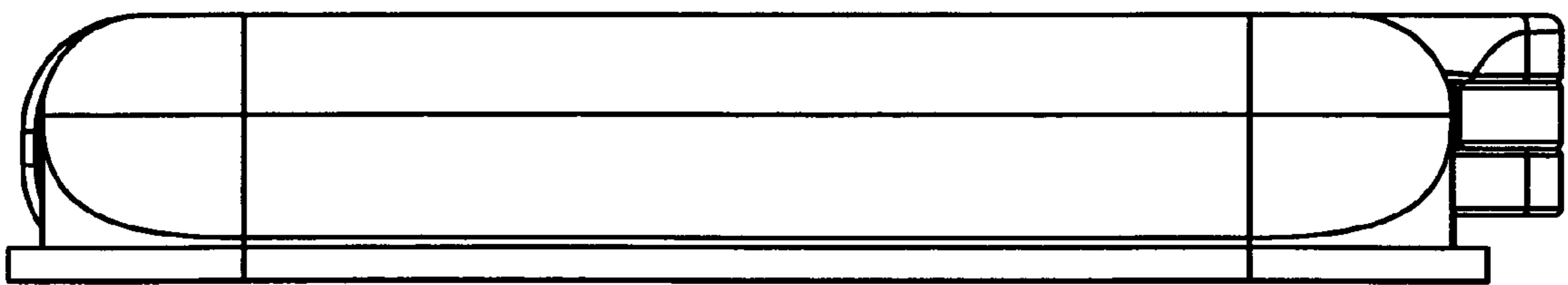


FIG. 4

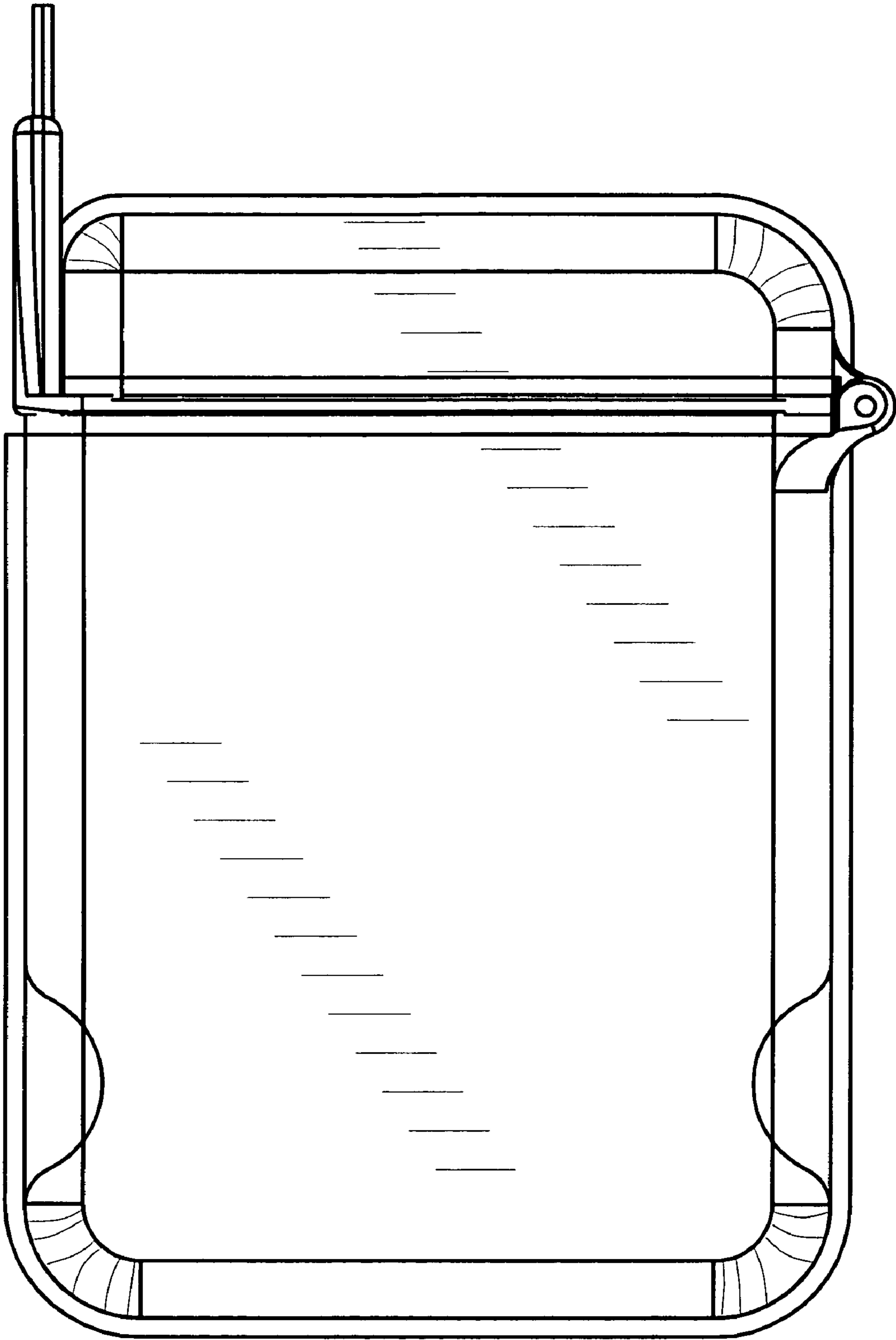


FIG. 5

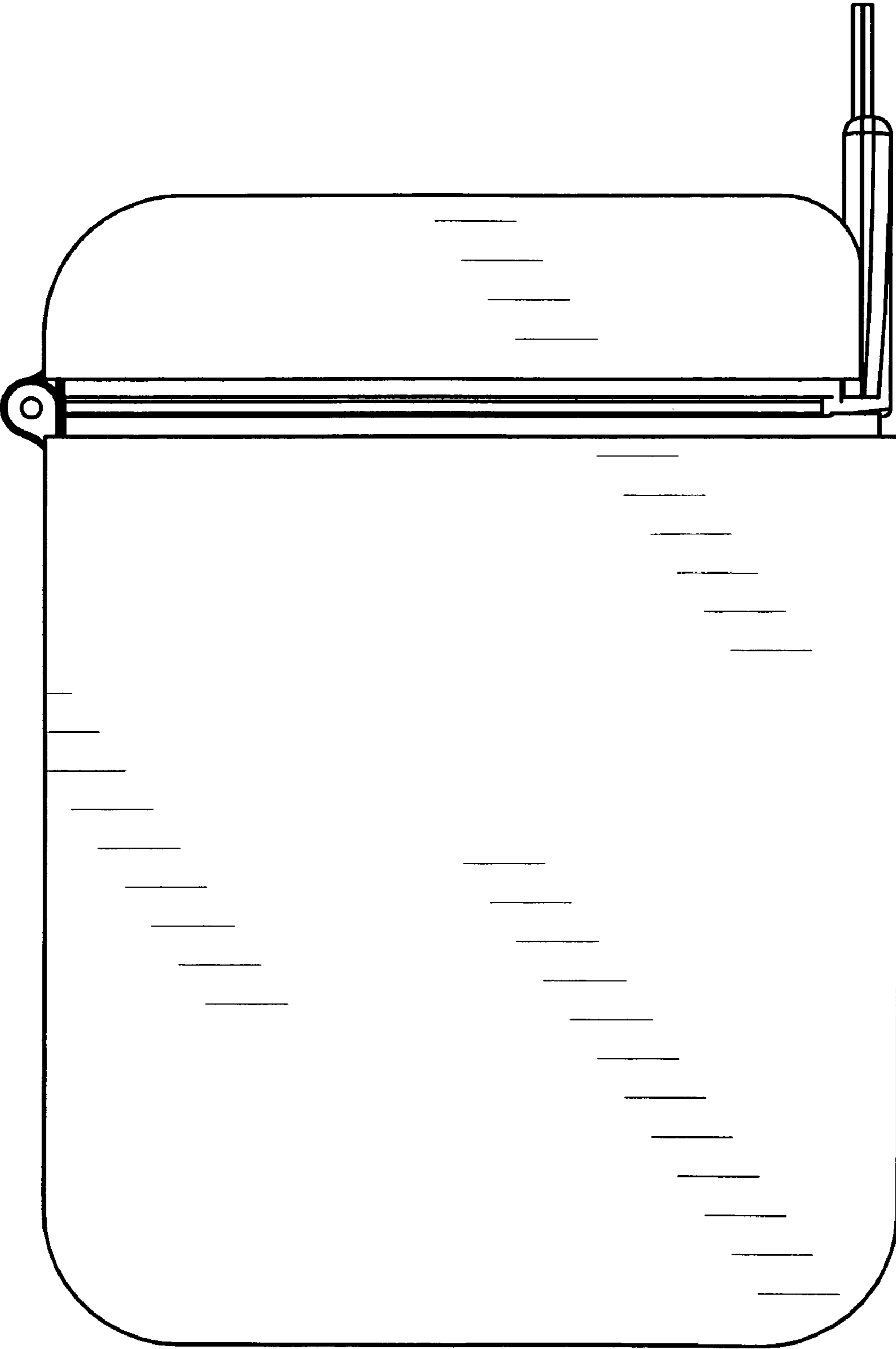


FIG. 6

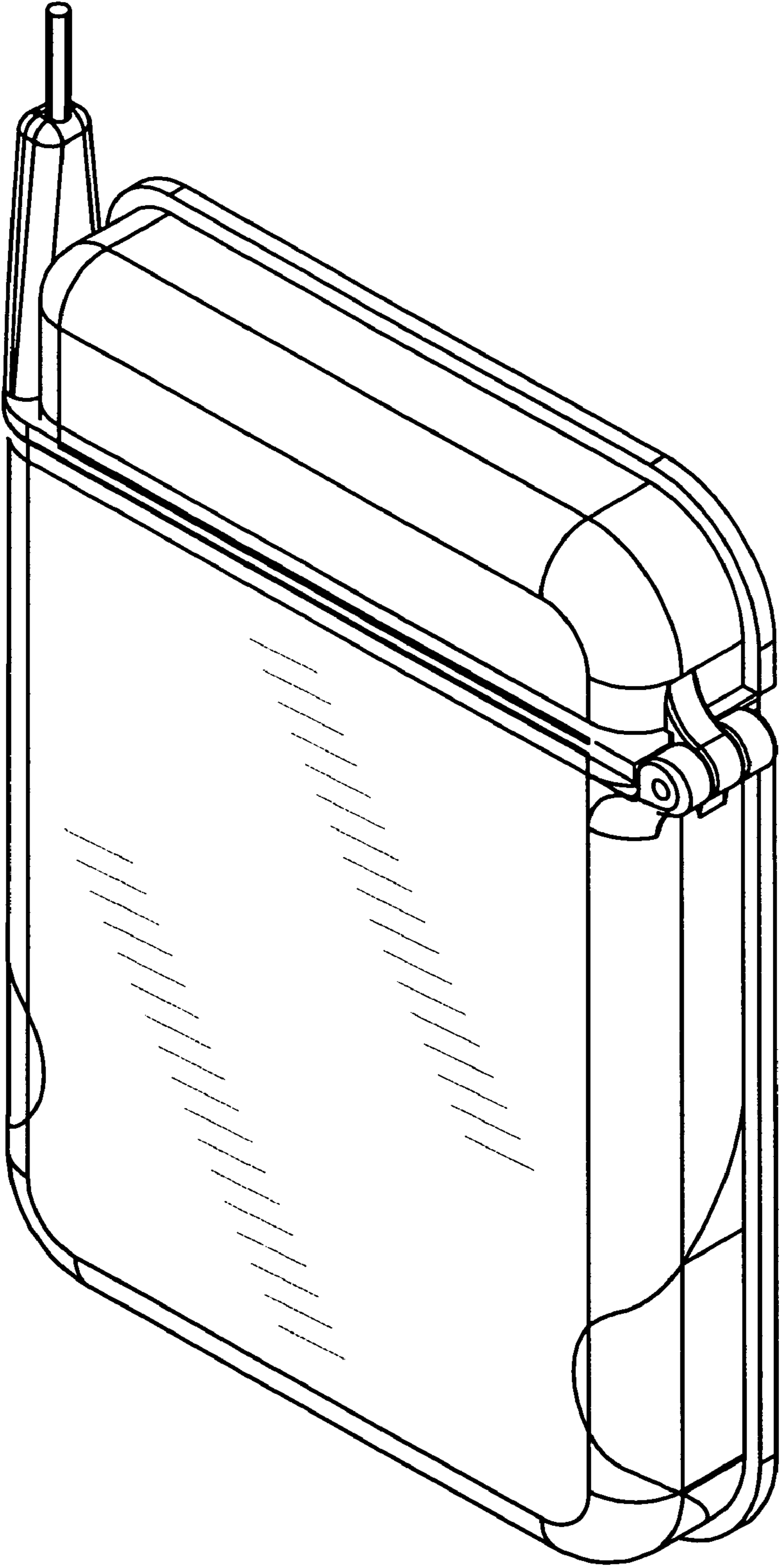


FIG. 7

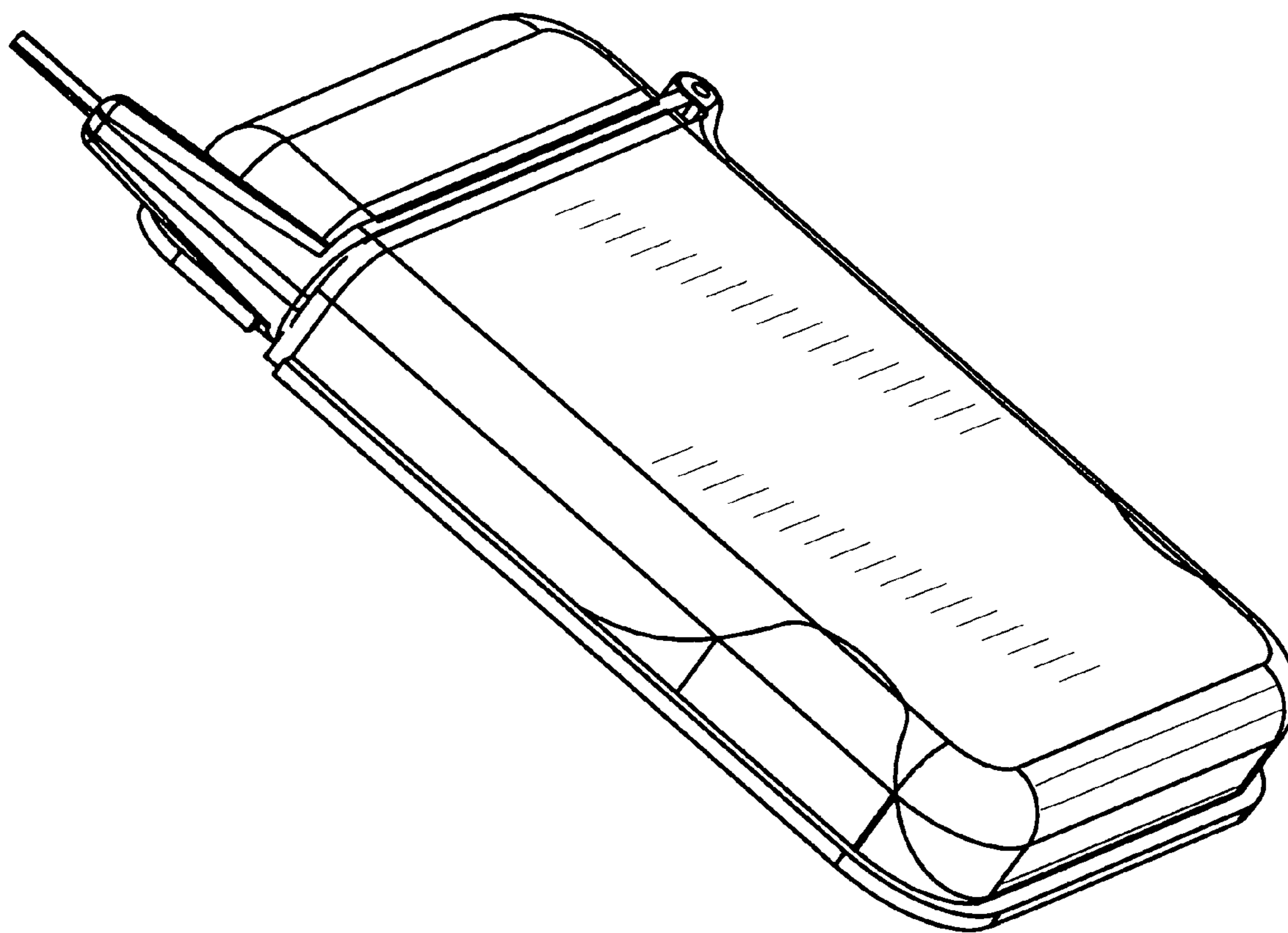


FIG. 8

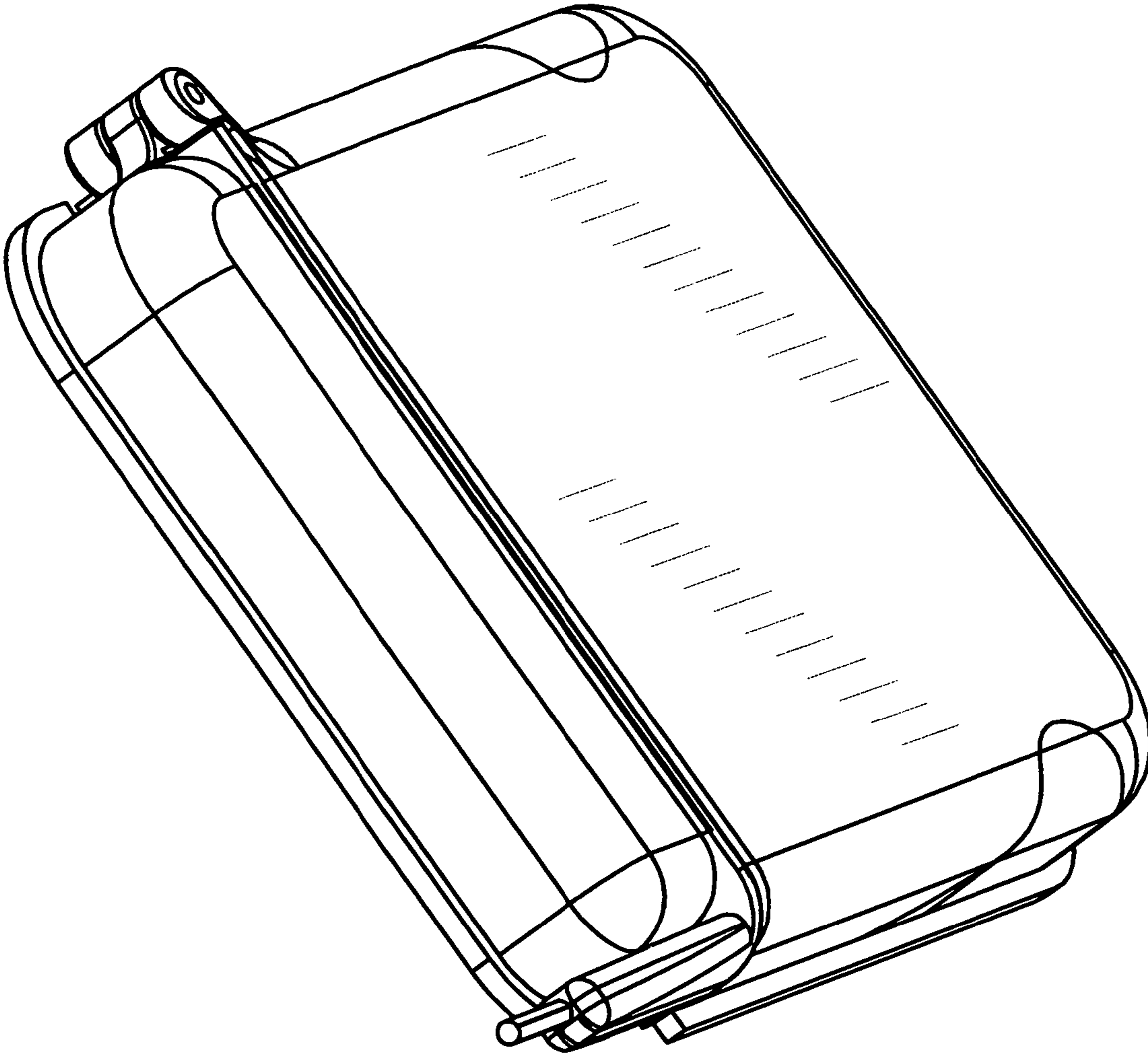


FIG. 9