



US00D585542S

(12) **United States Design Patent**
Watson et al.

(10) **Patent No.:** **US D585,542 S**
(45) **Date of Patent:** **** Jan. 27, 2009**

(54) **COLLAPSIBLE INHALER**

D477,665 S * 7/2003 Myrman et al. D24/110

(75) Inventors: **Paul Watson**, Peterborough (GB); **Paul Neal**, Biggleswade (GB)

* cited by examiner

(73) Assignee: **Health Enterprise East Limited** (GB)

Primary Examiner—Ian Simmons

Assistant Examiner—Christopher Lee

(**) Term: **14 Years**

(74) *Attorney, Agent, or Firm*—Joseph T. Leone, Esq.

(21) Appl. No.: **29/302,941**

(57) **CLAIM**

(22) Filed: **Jan. 29, 2008**

The ornamental design for a collapsible inhaler, as shown and described.

(51) **LOC (9) Cl.** **29-02**

DESCRIPTION

(52) **U.S. Cl.** **D24/110**

FIG. 1 is a top perspective view of a collapsible inhaler in a closed position showing our new design.

(58) **Field of Classification Search** D24/110;
128/203.15, 203.21, 200.14, 200.23, 205.24
See application file for complete search history.

FIG. 2 is a bottom perspective view thereof.

(56) **References Cited**

FIG. 3 is a front perspective view of the collapsible inhaler in a semi-open position.

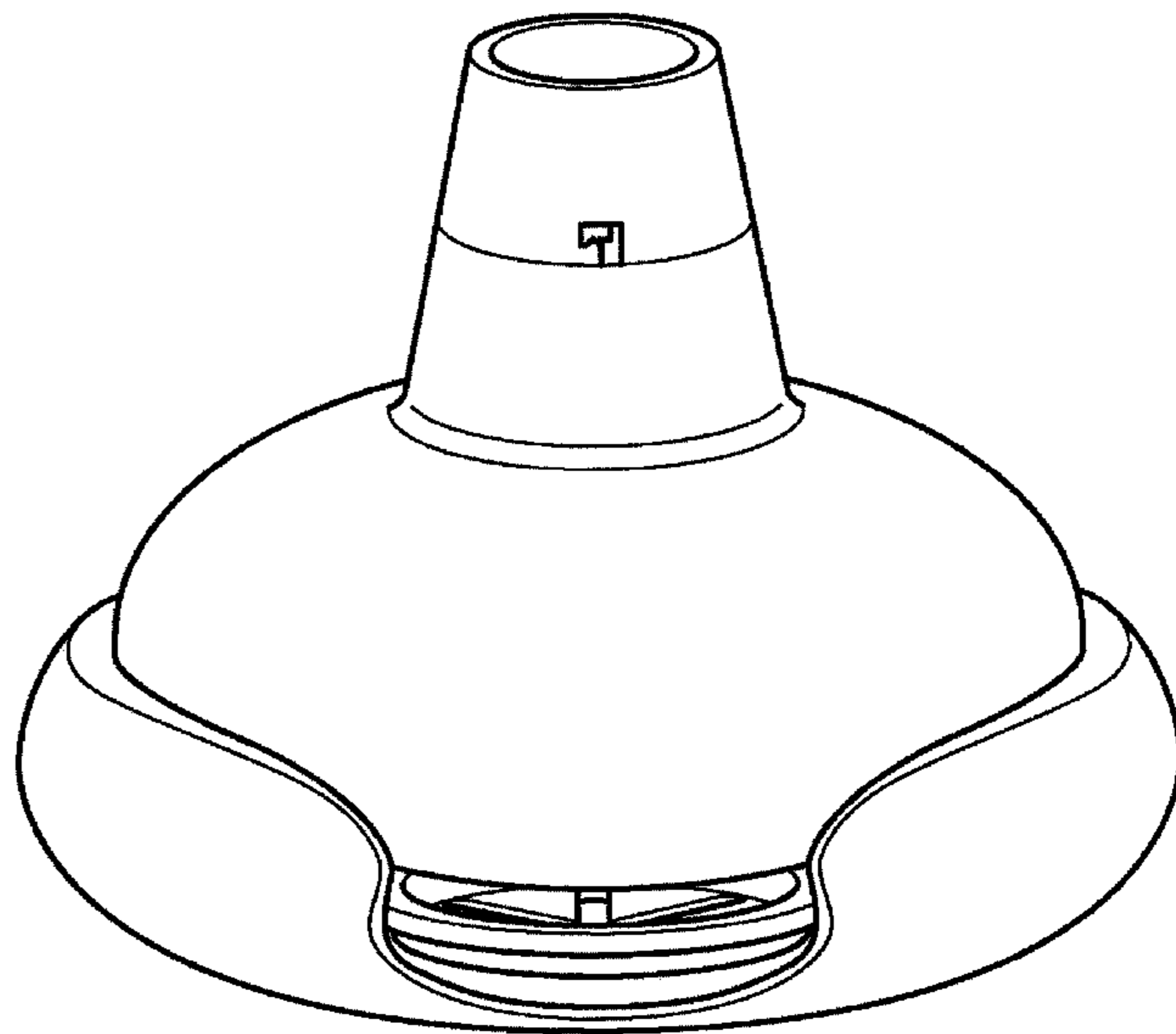
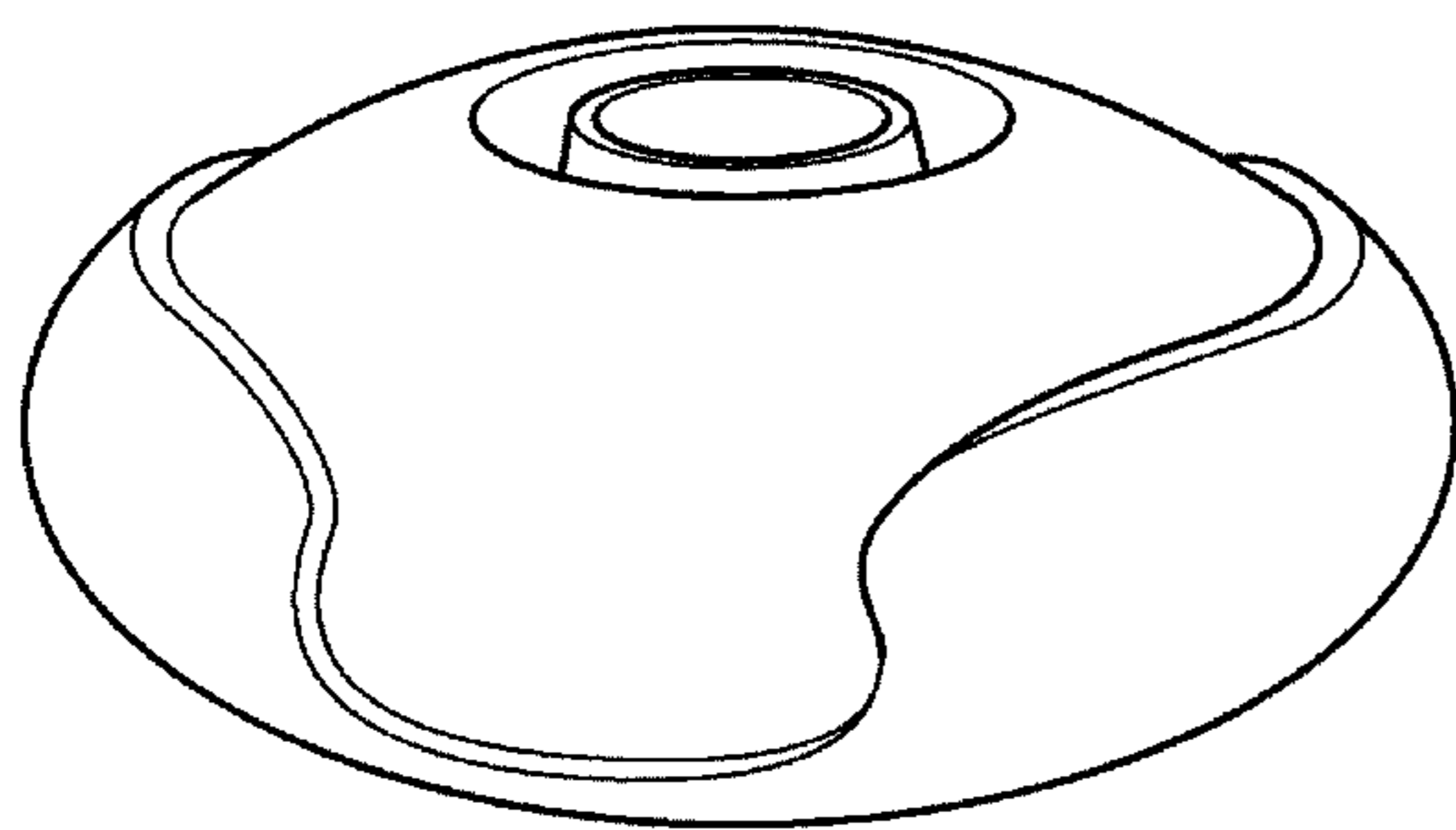
U.S. PATENT DOCUMENTS

FIG. 4 is a top perspective view of the collapsible inhaler in an open position; and,

D339,192	S	*	9/1993	Nicholson et al.	D24/110
D350,821	S	*	9/1994	Wright et al.	D24/110
D394,313	S	*	5/1998	O'Brien	D24/110
D421,800	S	*	3/2000	Doat	D24/110
D443,689	S	*	6/2001	Myrman et al.	D24/110

FIG. 5 is a bottom perspective view of the collapsible inhaler in the open position.

1 Claim, 4 Drawing Sheets



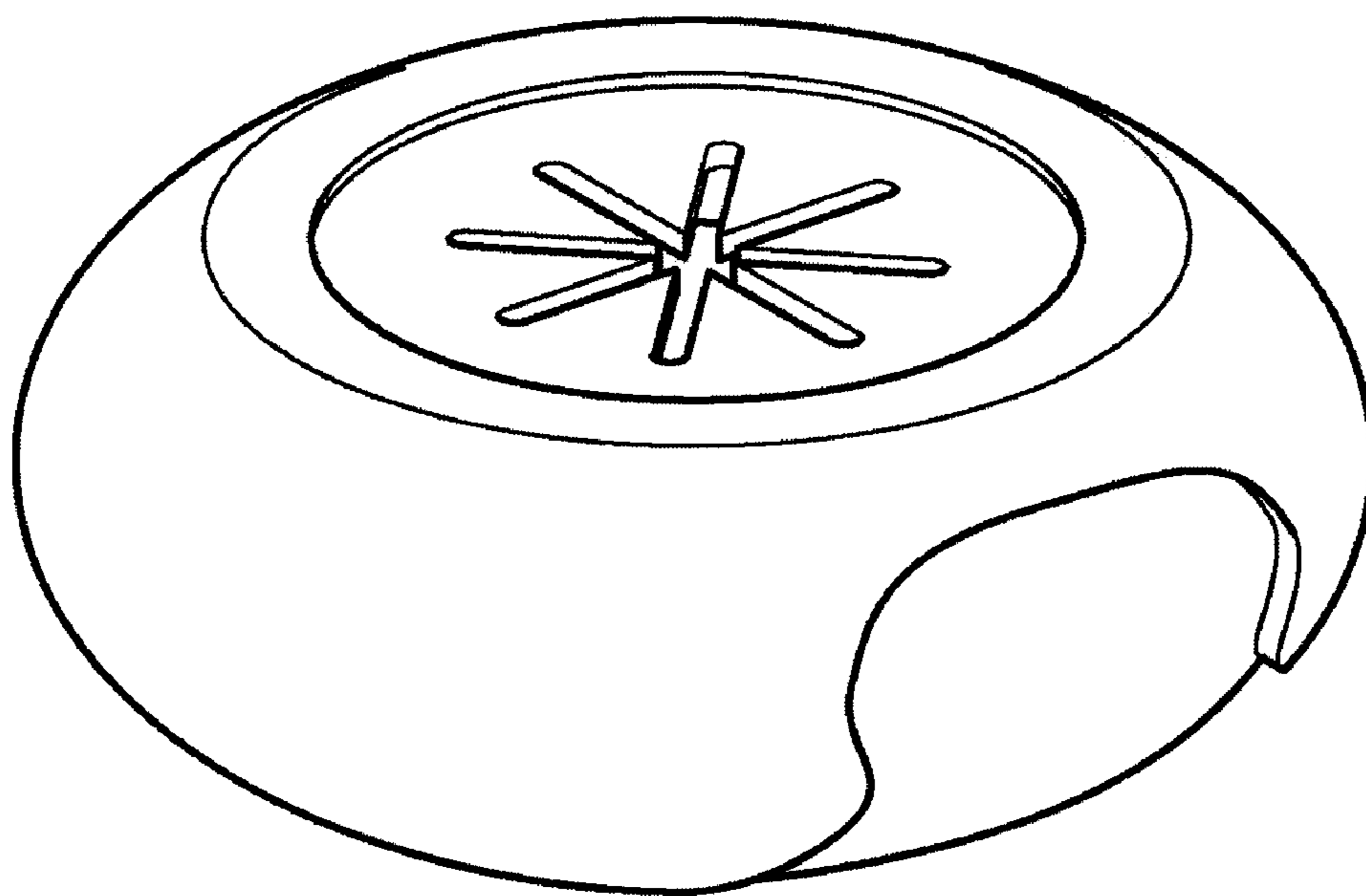


FIG. 1

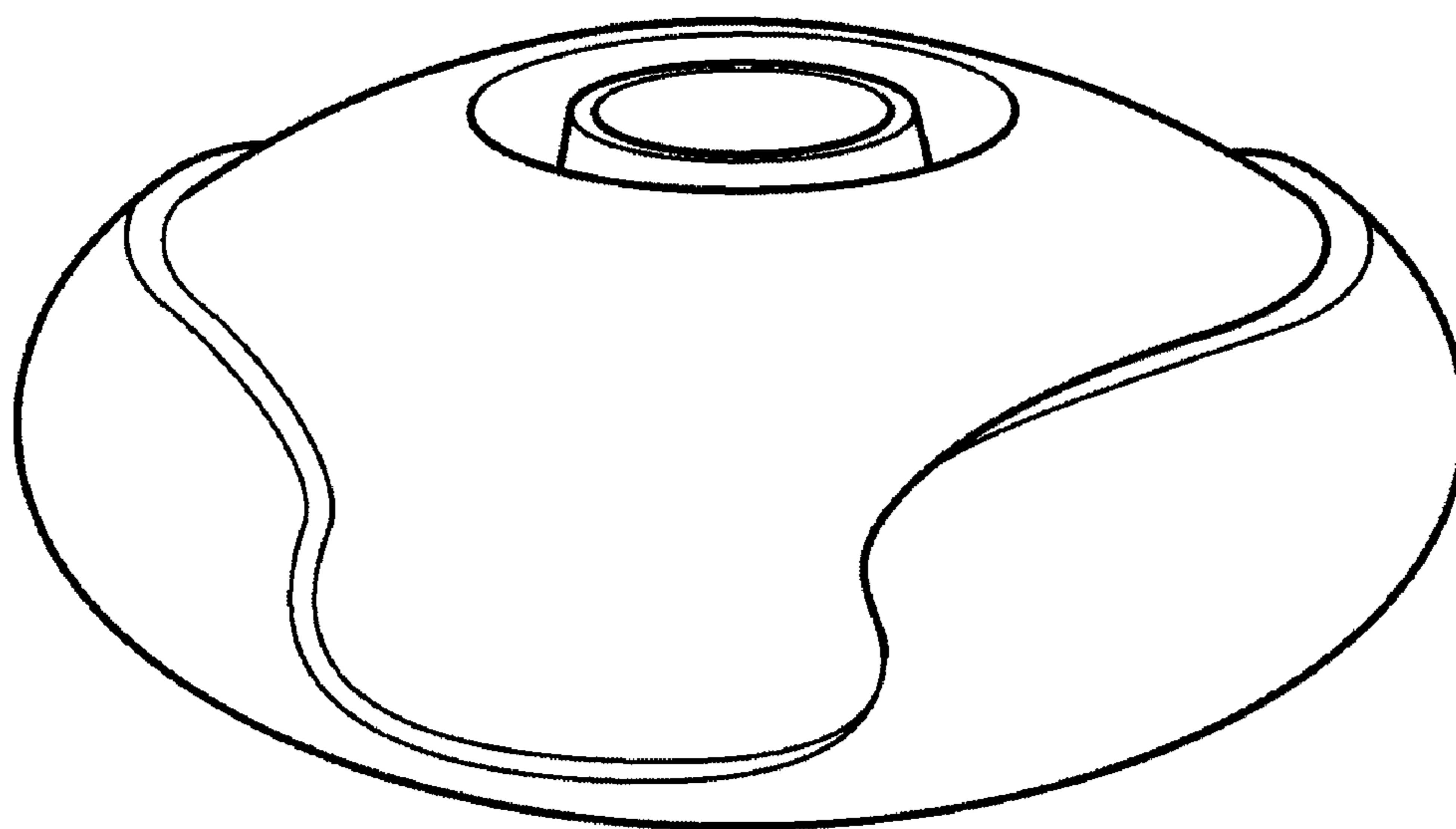


FIG. 2

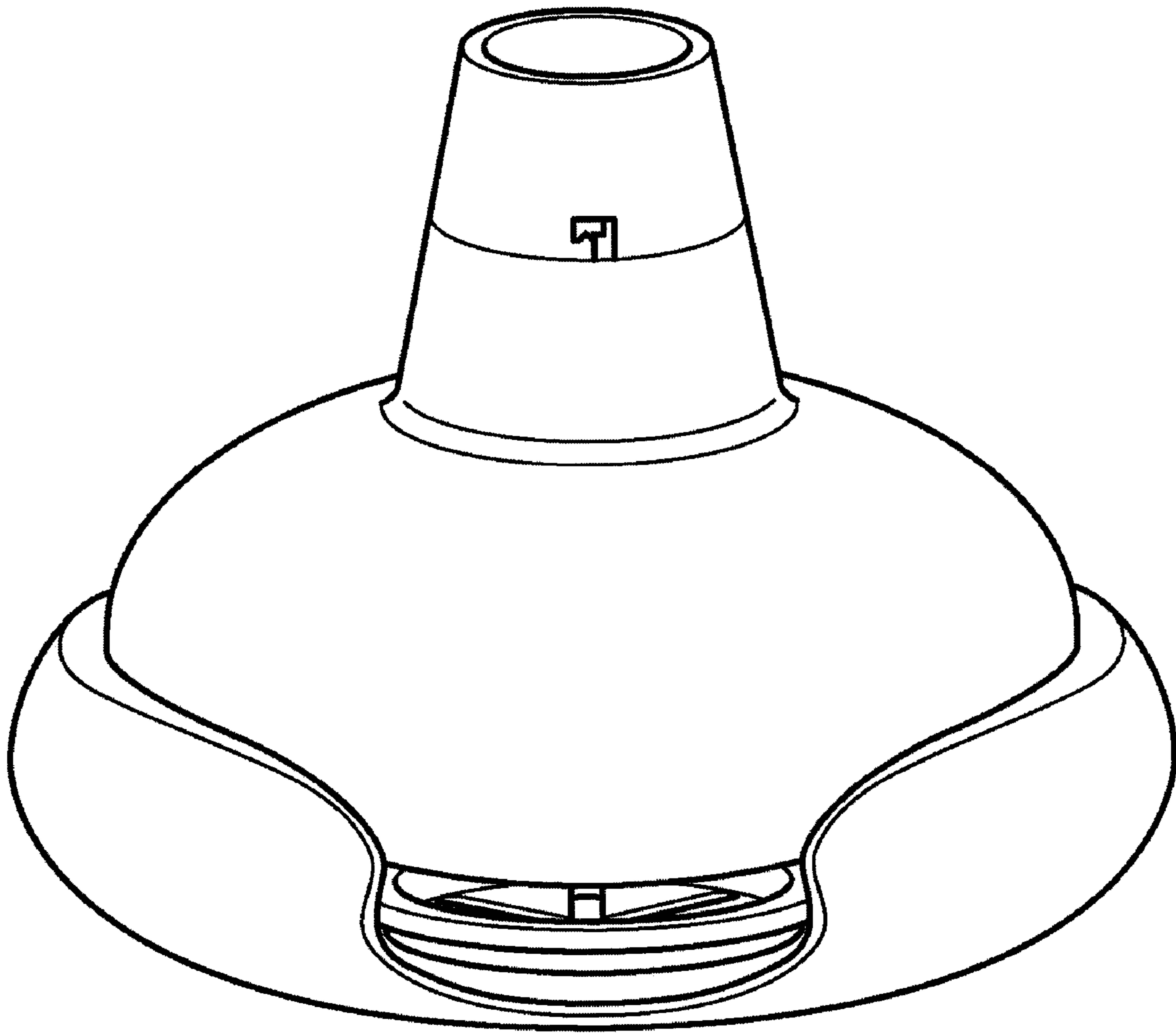


FIG. 3

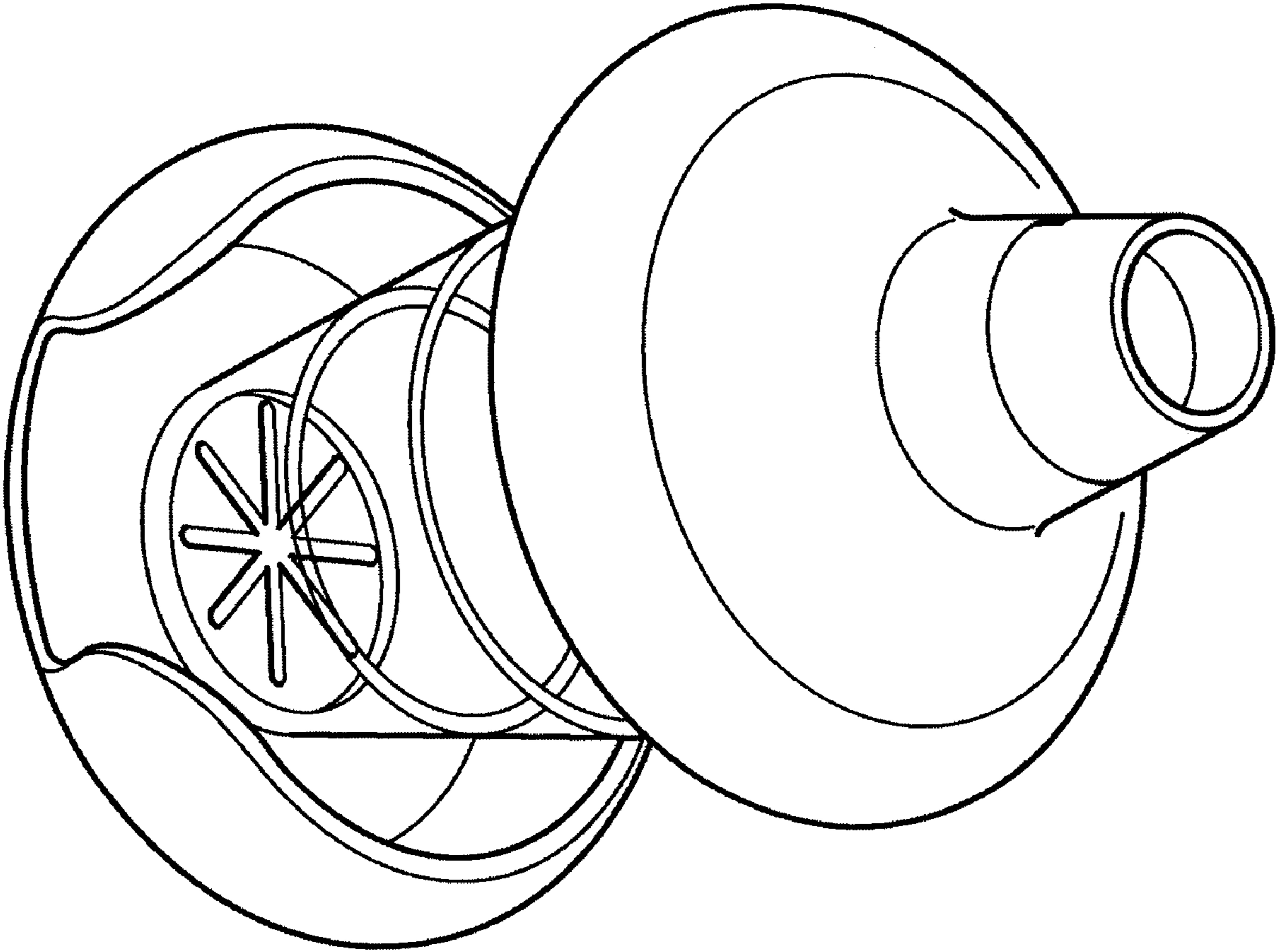


FIG. 4

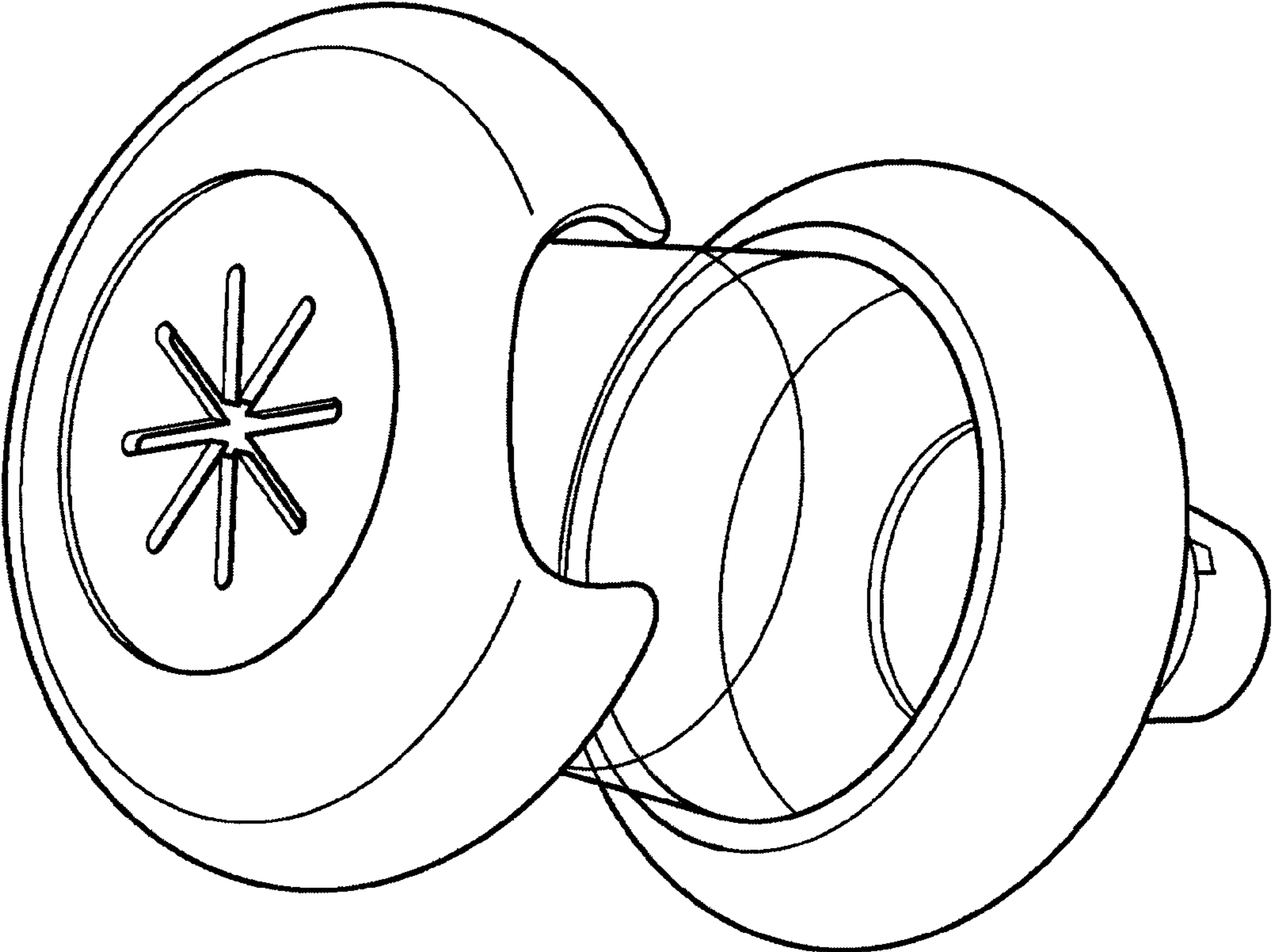


FIG. 5