



US00D585539S

(12) **United States Design Patent**  
**Smith**

(10) **Patent No.:** **US D585,539 S**  
(45) **Date of Patent:** **\*\* Jan. 27, 2009**

(54) **CEILING FAN DOWNROD SHEATH**

The Great Outdoors 2008 Catalog; Iconic; Jan. 2008; pp. 46-47; Minka Lighting, Inc.; U.S.A.

(75) Inventor: **Nathan Smith**, Pasadena, CA (US)

\* cited by examiner

(73) Assignee: **Minka Lighting, Inc.**, Corona, CA (US)

*Primary Examiner*—Lisa P Lichtenstein

(\*\*) Term: **14 Years**

(74) *Attorney, Agent, or Firm*—Baker & McKenzie LLP

(21) Appl. No.: **29/319,979**

(57) **CLAIM**

(22) Filed: **Jun. 18, 2008**

The ornamental design for a ceiling fan downrod sheath, as shown and described.

(51) **LOC (9) Cl.** ..... **23-04**

(52) **U.S. Cl.** ..... **D23/411**

(58) **Field of Classification Search** ..... D23/377,  
D23/379, 385, 411, 413; 416/5

See application file for complete search history.

**DESCRIPTION**

(56) **References Cited**

FIG. 1 is a bottom perspective view of a ceiling fan downrod sheath showing an embodiment in accordance with my design;

FIG. 2 is an enlarged top plan view of the ceiling fan downrod sheath in accordance with my design;

FIG. 3 is an enlarged top perspective view of the ceiling fan downrod sheath in accordance with my design;

FIG. 4 is an enlarged front elevation view of the ceiling fan downrod sheath in accordance with my design, the opposite side view being a mirror image of that shown;

FIG. 5 is an enlarged side elevation view of the ceiling fan downrod sheath in accordance with my design, the opposite side view being a mirror image of that shown; and,

FIG. 6 is an enlarged bottom plan view of the ceiling fan downrod sheath in accordance with my design.

The broken lines showing the environmental structure are for illustrative purposes and form no part of the claimed design.

U.S. PATENT DOCUMENTS

D535,383 S \* 1/2007 Pickett ..... D23/411

D547,436 S \* 7/2007 Shurtleff ..... D23/411

D551,339 S \* 9/2007 Shurtleff ..... D23/411

OTHER PUBLICATIONS

Emerson Internet Catalog; Westfield; Model #CF680ORB; printed from hansenwholesale.com on May 10, 2008.

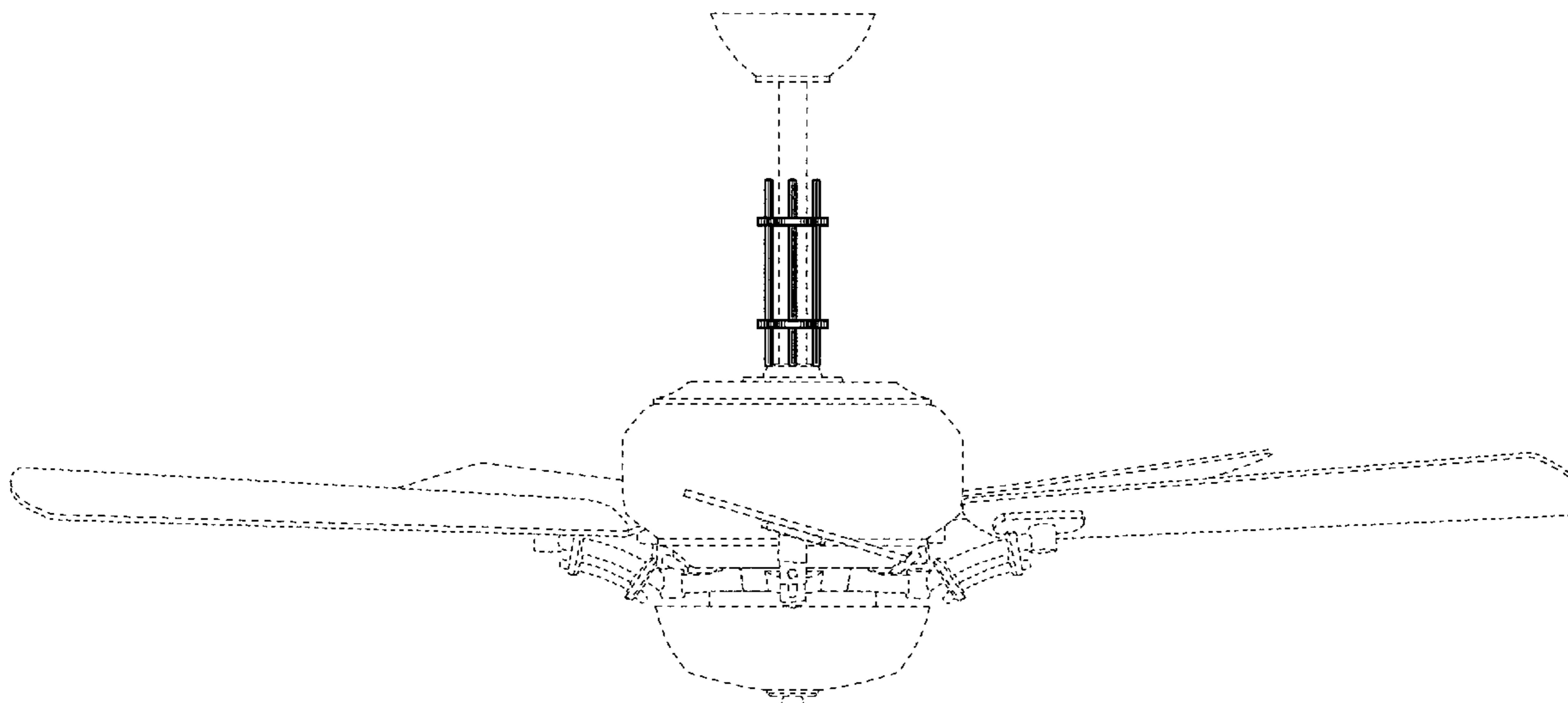
Fanimation Internet Catalog; Hubbardton Forge; Model #HF7040BZ; printed from hansenwholesale.com on May 10, 2008.

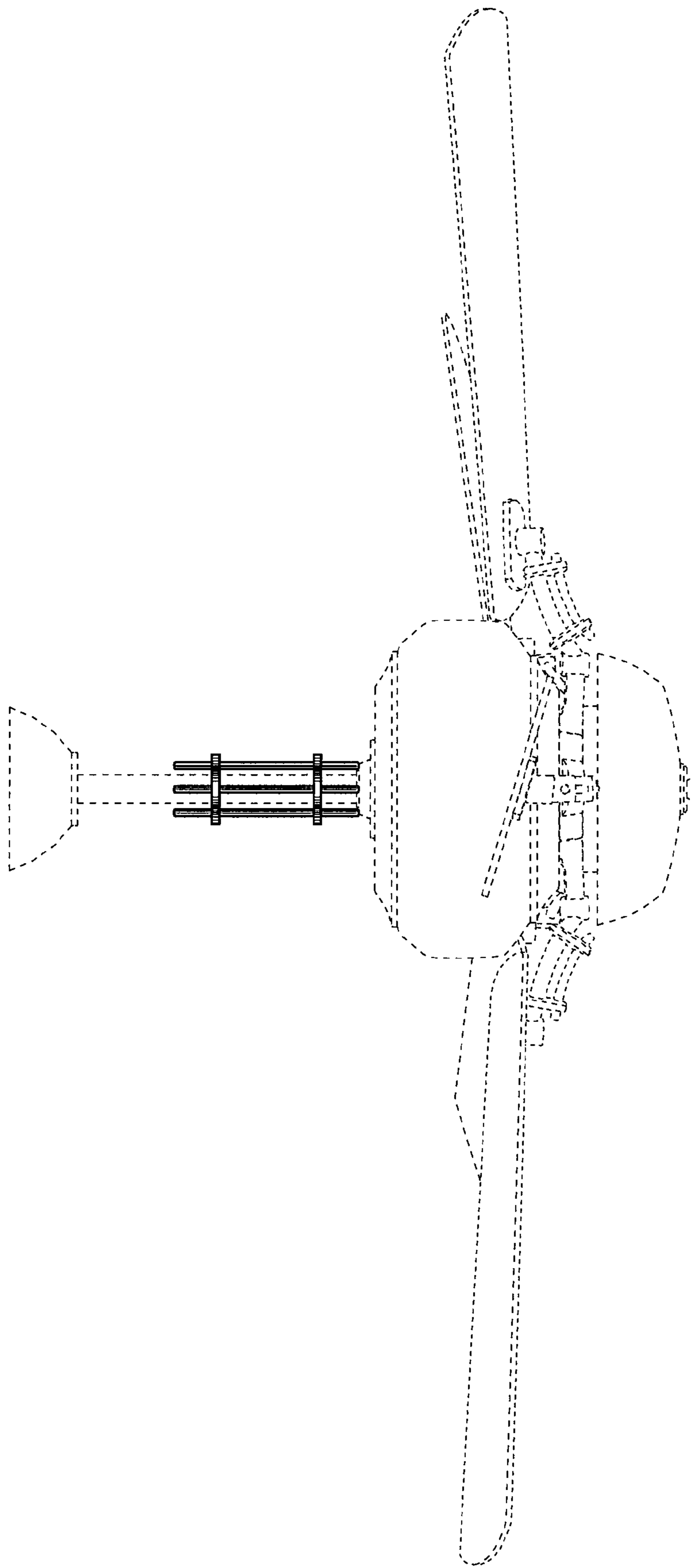
Emerson Internet Catalog; Maya Zen; Model #CF750ORB; printed from hansenwholesale.com May 10, 2008.

Fanimation Internet Catalog; The Andover; Model #FP5220OB; printed from hansenwholesale.com on May 10, 2008.

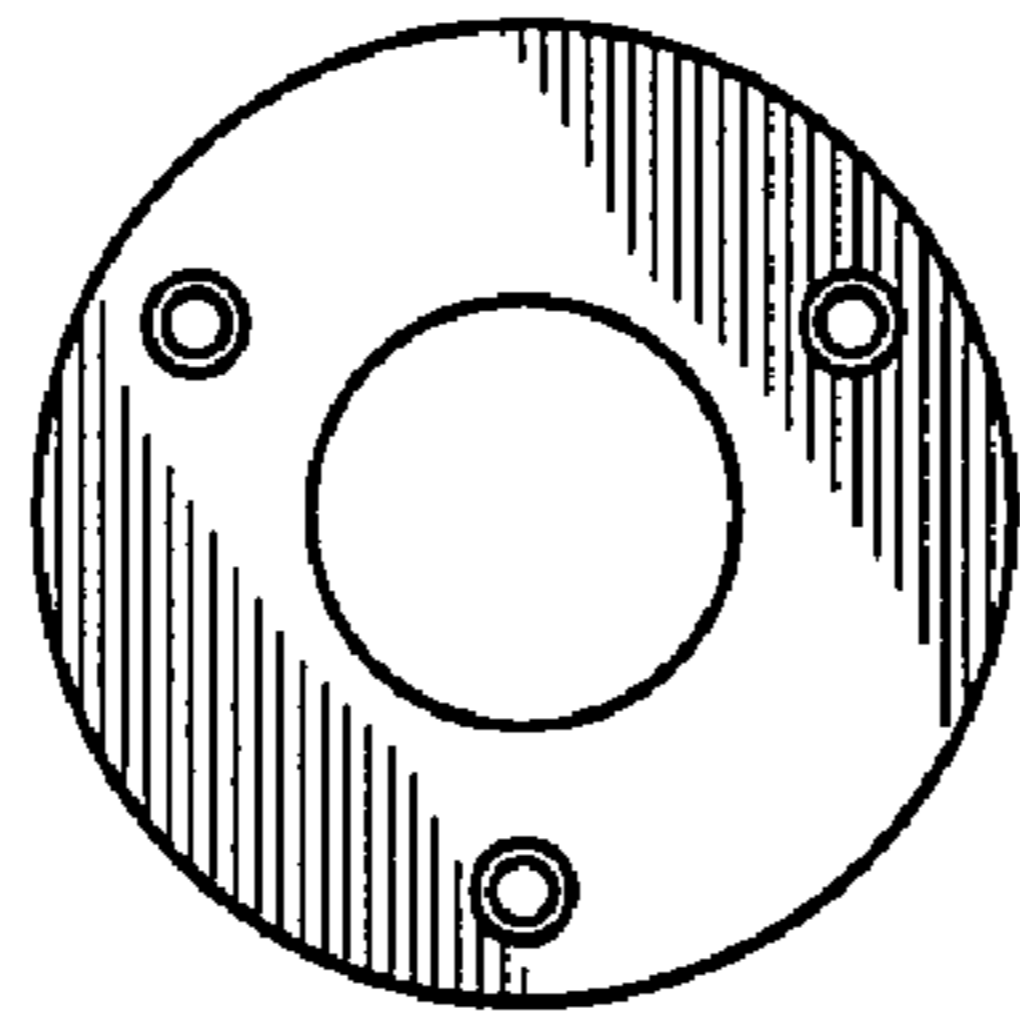
MinkaAire 2007 Catalog; Iconic; Jan. 2007; pp. 140-146; Minka Lighting, Inc.; U.S.A.

**1 Claim, 2 Drawing Sheets**

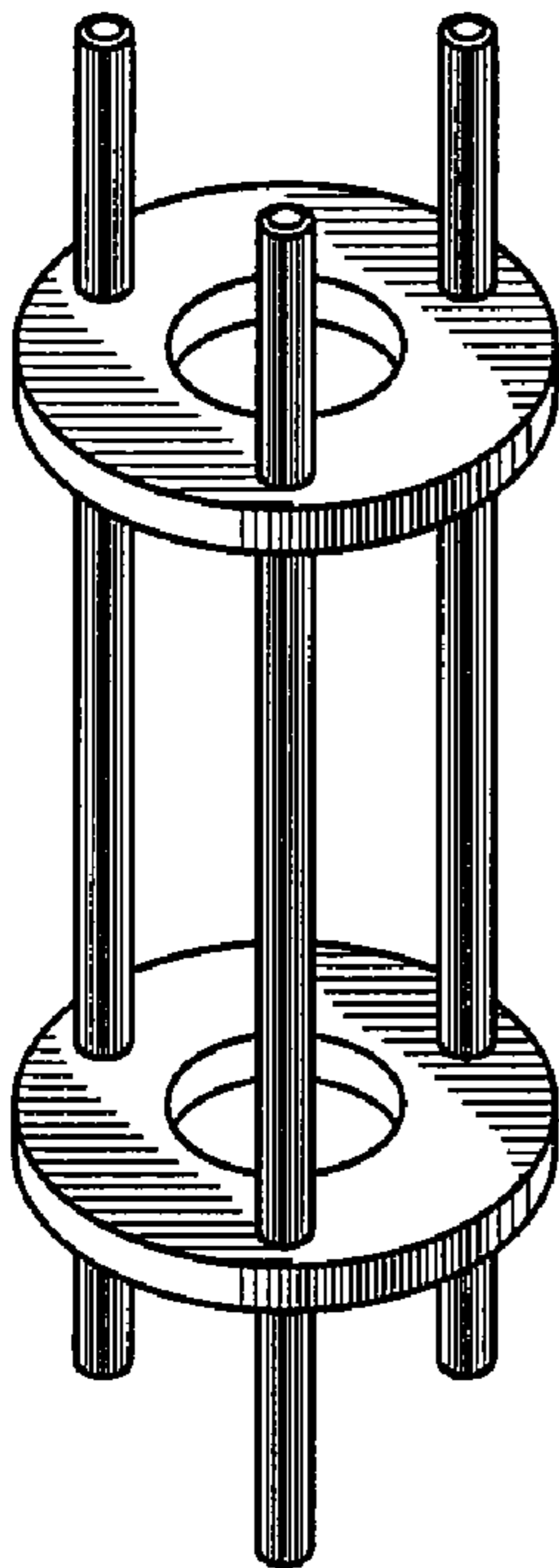




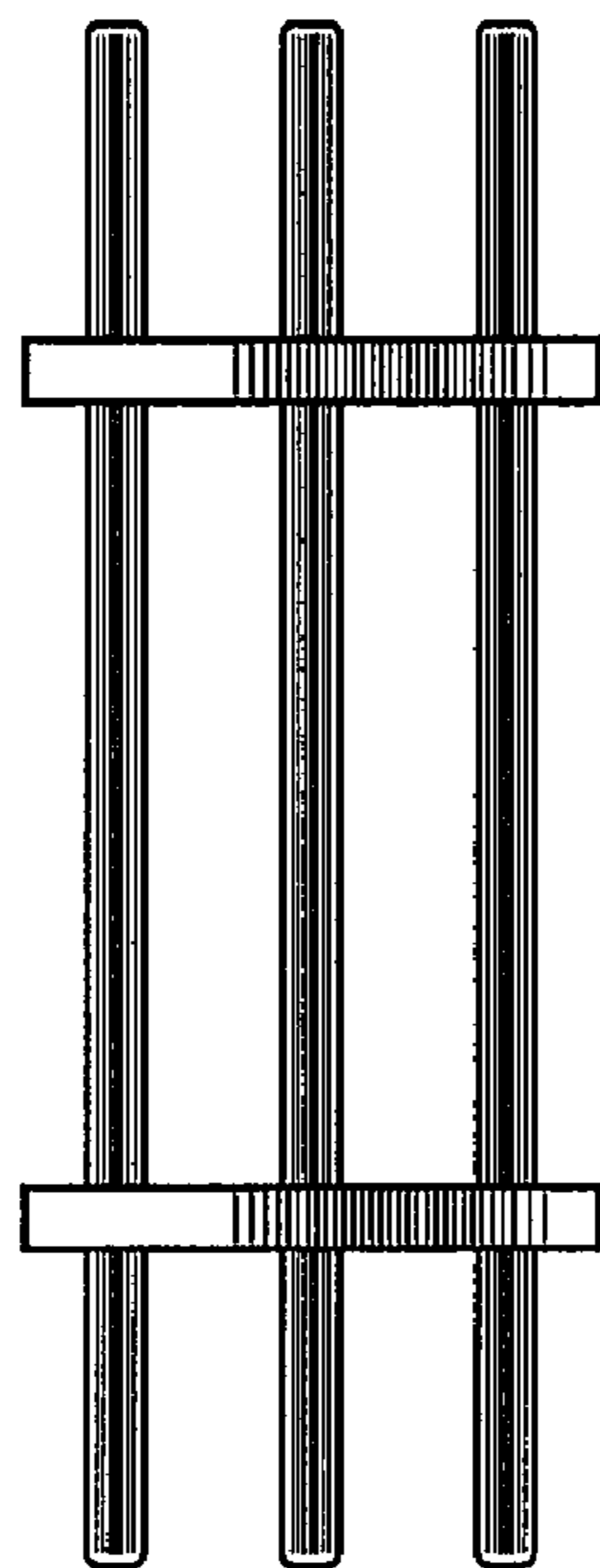
*Fig.1*



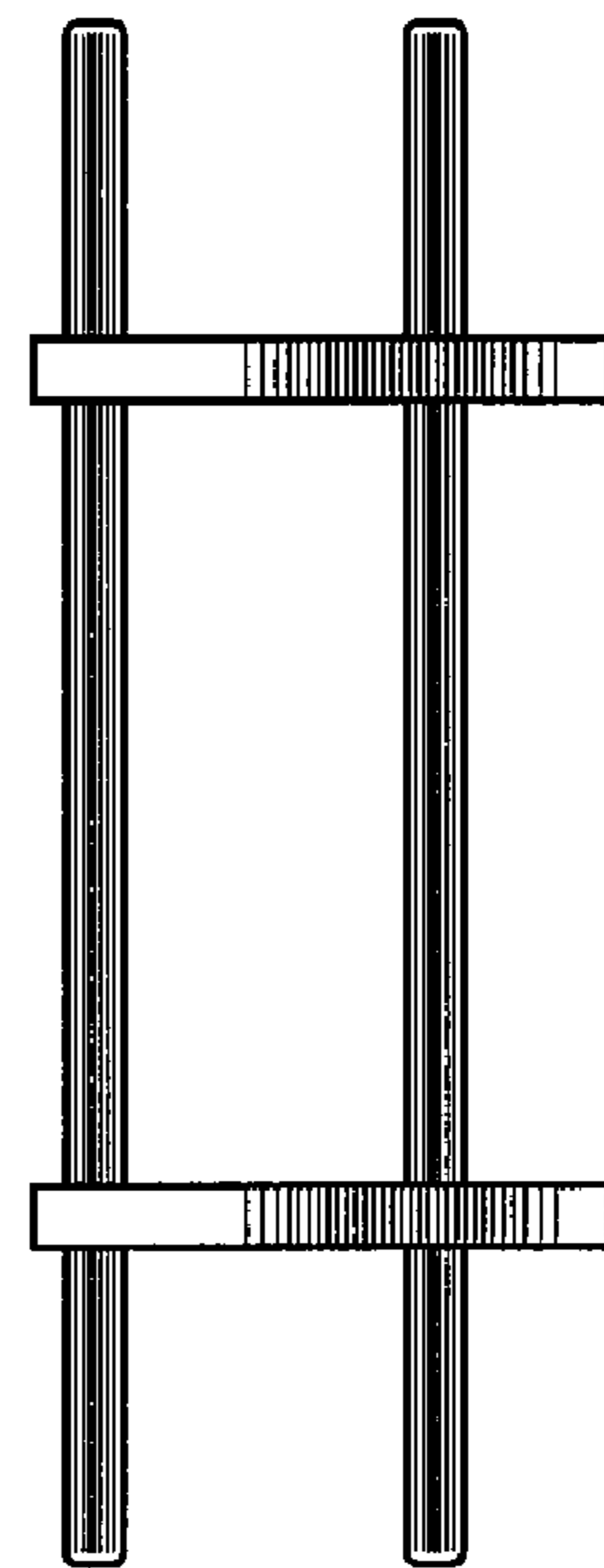
*Fig. 2*



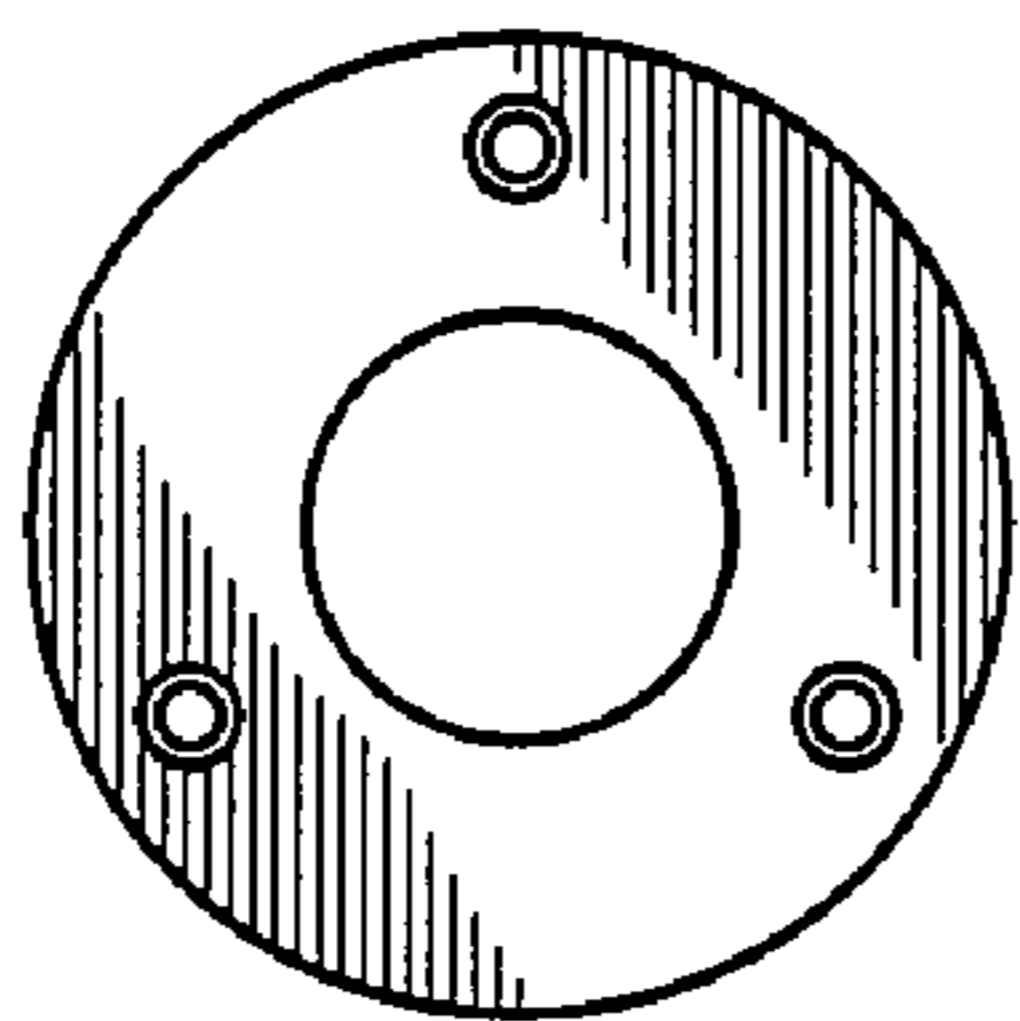
*Fig. 3*



*Fig. 4*



*Fig. 5*



*Fig. 6*