



US00D585535S

(12) **United States Design Patent**  
**Viale**

(10) **Patent No.:** **US D585,535 S**  
(45) **Date of Patent:** **\*\* Jan. 27, 2009**

(54) **BATHROOM MIRROR DEFOGGER**

(76) Inventor: **Christopher Viale**, 15 Brimfield Way,  
Westfield, MA (US) 01085

(\*\*) Term: **14 Years**

(21) Appl. No.: **29/323,998**

(22) Filed: **Sep. 4, 2008**

(51) **LOC (9) Cl.** ..... **23-04**

(52) **U.S. Cl.** ..... **D23/359**

(58) **Field of Classification Search** ..... D23/359,  
D23/332, 355, 314, 370-393, 354, 326; 219/219,  
219/203

See application file for complete search history.

(56) **References Cited**

**U.S. PATENT DOCUMENTS**

D97,650	S	*	11/1935	Schmidt	.....	D23/354
D122,968	S	*	10/1940	Harris	.....	D23/386
D171,429	S	*	2/1954	Thompson	.....	D23/359
4,037,079	A	*	7/1977	Armbruster	.....	219/219
D287,749	S	*	1/1987	Nilsson et al.	.....	D23/314
D308,245	S	*	5/1990	Stelmak	.....	D23/332
D332,486	S	*	1/1993	Cabral et al.	.....	D23/326
D357,528	S	*	4/1995	Hsu	.....	D23/332
D364,225	S	*	11/1995	Canney	.....	D23/386
5,467,423	A	*	11/1995	Jakubowski	.....	392/379

D438,293	S	*	2/2001	Munoz, Jr.	.....	D23/355
D562,442	S	*	2/2008	Blateri	.....	D23/382
2008/0083719	A1	*	4/2008	Bartucco	.....	219/203

\* cited by examiner

*Primary Examiner*—T. Chase Nelson

*Assistant Examiner*—David G Muller

(74) *Attorney, Agent, or Firm*—Doherty, Wallace, Pillsbury & Murphy, P.C.

(57) **CLAIM**

The ornamental design for a bathroom mirror defogger, as shown and described.

**DESCRIPTION**

FIG. 1 is a front perspective view of the bathroom mirror defogger;

FIG. 2 is a front view of the bathroom mirror defogger;

FIG. 3 is a top plan view of the bathroom mirror defogger;

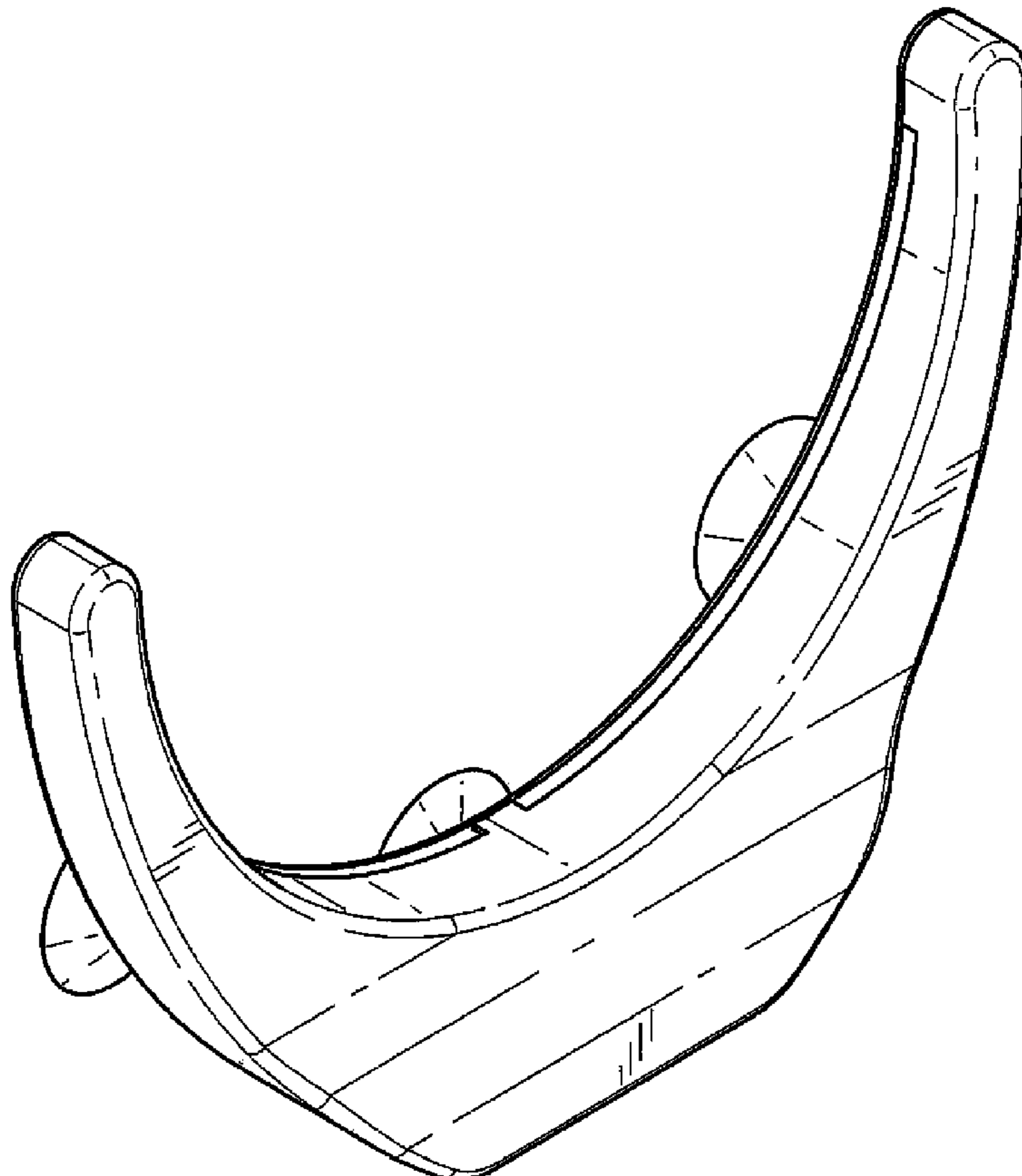
FIG. 4 is a right side view of the bathroom mirror defogger;

FIG. 5 is a left side view of the bathroom mirror defogger;

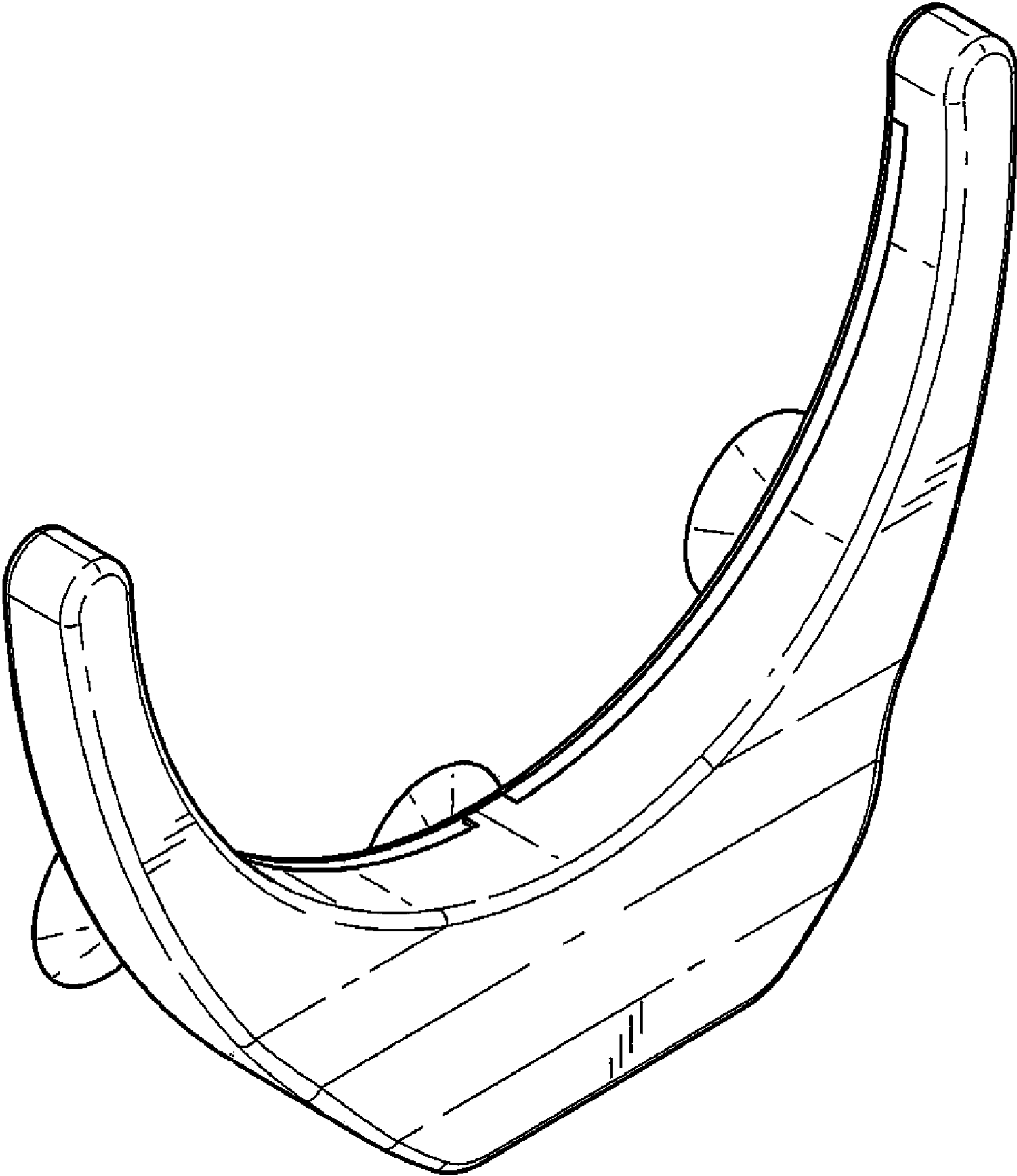
FIG. 6 is a bottom plan view of the bathroom mirror defogger; and,

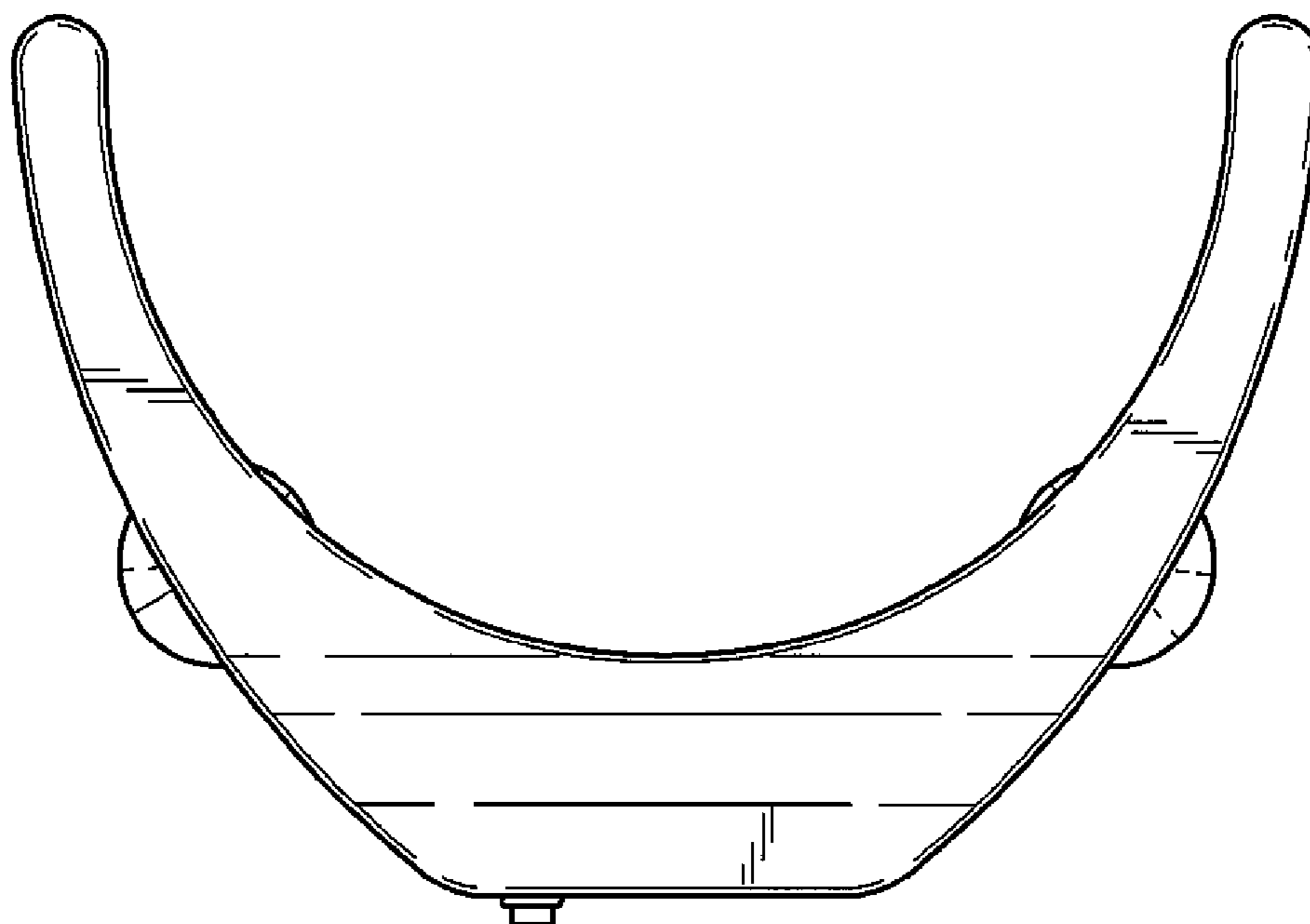
FIG. 7 is a back view of the bathroom mirror defogger.

**1 Claim, 4 Drawing Sheets**

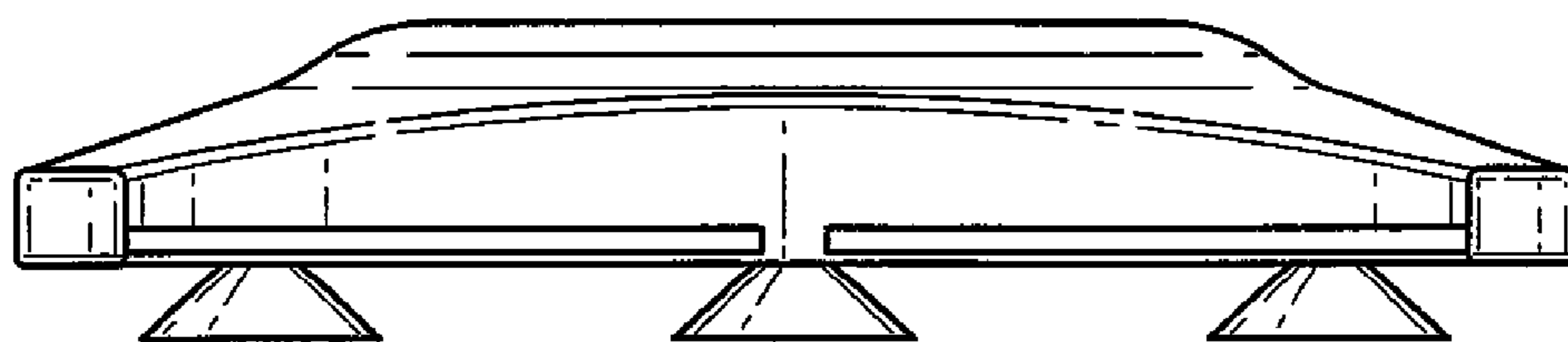


**FIG. 1**





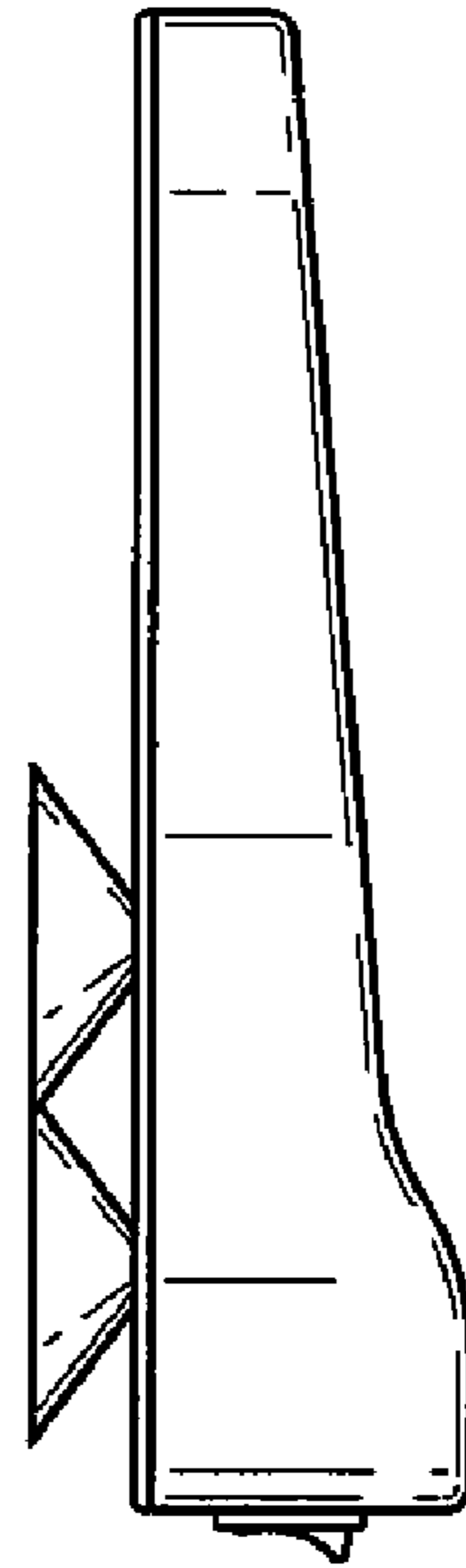
**FIG. 2**



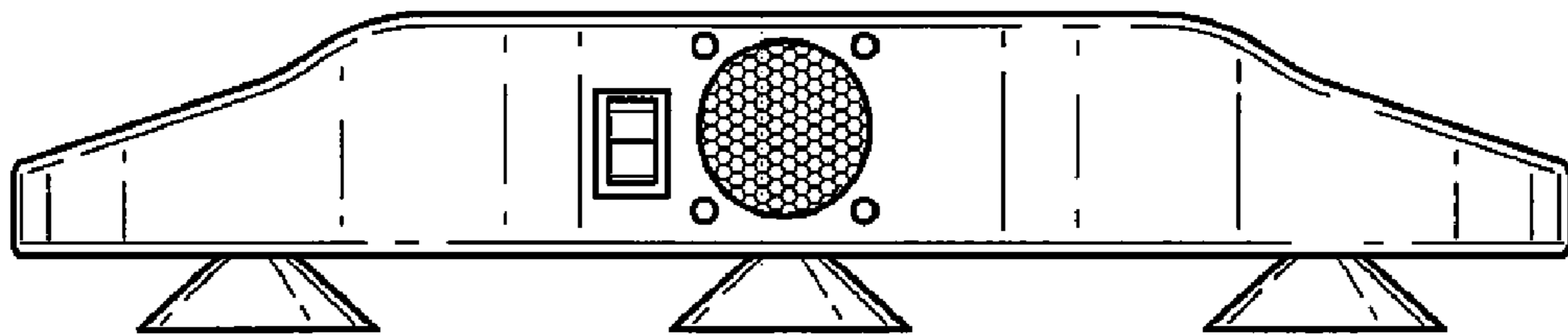
**FIG. 3**



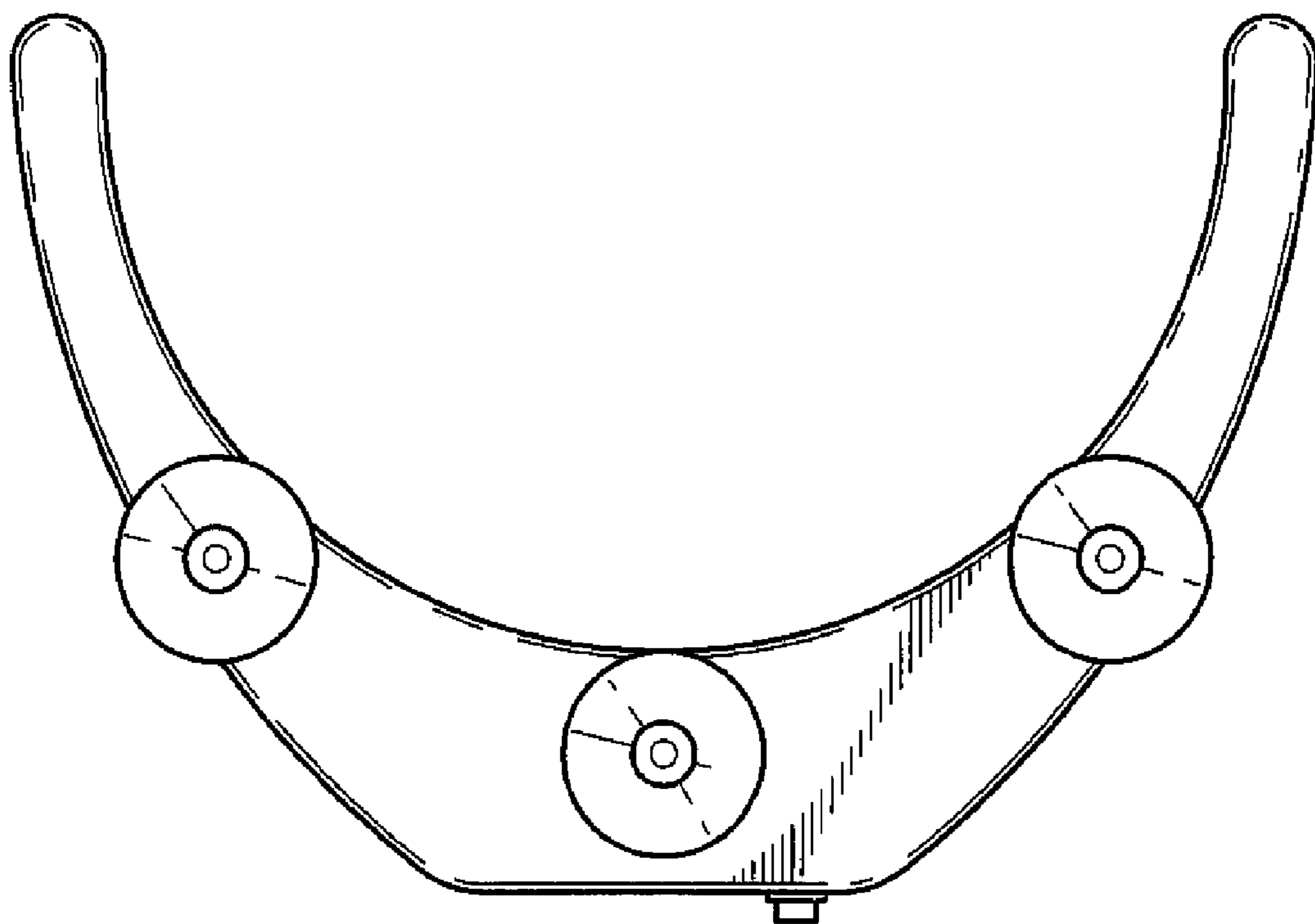
**FIG. 4**



**FIG. 5**



**FIG. 6**



**FIG. 7**