



US00D585530S

(12) **United States Design Patent**  
**Ito**

(10) **Patent No.:** **US D585,530 S**

(45) **Date of Patent:** **\*\* Jan. 27, 2009**

(54) **FLUID PRESSURE EQUIPMENT FITTING**

(75) Inventor: **Shinichi Ito**, Tsukubamirai (JP)

(73) Assignee: **SMC Corporation**, Chiyoda-ku, Tokyo (JP)

(\*\*) Term: **14 Years**

(21) Appl. No.: **29/293,356**

(22) Filed: **Nov. 19, 2007**

(30) **Foreign Application Priority Data**

May 21, 2007 (JP) ..... 2007-013392

(51) **LOC (9) Cl.** ..... **23-01**

(52) **U.S. Cl.** ..... **D23/259**

(58) **Field of Classification Search** ..... D23/213, D23/214, 249, 257, 259, 260, 261, 262, 263, D23/264, 265, 266, 267, 268; D15/7; D8/396; 4/675-678; 285/1, 53, 112, 179, 340, 367, 285/373, 404, 915; 261/DIG. 22; 277/910

See application file for complete search history.

(56) **References Cited**

**U.S. PATENT DOCUMENTS**

D209,377 S \* 11/1967 Pomroy ..... D23/260  
4,574,402 A \* 3/1986 Brown, Sr. .... 4/252.5  
4,648,139 A \* 3/1987 Stokes ..... 4/252.4  
4,827,539 A \* 5/1989 Kiziah ..... 4/252.4

D356,625 S \* 3/1995 Petrucci et al. .... D23/209  
D363,767 S \* 10/1995 Swaim ..... D23/260  
6,085,362 A \* 7/2000 Huber ..... 4/252.4  
6,460,863 B1 \* 10/2002 Wuertz et al. .... 279/141  
D543,259 S \* 5/2007 Chueh et al. .... D23/262

\* cited by examiner

*Primary Examiner*—Cathron C Brooks

*Assistant Examiner*—Michael A Pratt

(74) *Attorney, Agent, or Firm*—Yokoi & Co., U.S.A., Inc.; Peter Ganjian

(57) **CLAIM**

The ornamental design for a fluid pressure equipment fitting, as shown and described.

**DESCRIPTION**

FIG. 1 shows a front view of a fluid pressure equipment-fitting showing my new design;

FIG. 2 shows a rear view thereof;

FIG. 3 shows a top view thereof;

FIG. 4 shows a bottom view thereof;

FIG. 5 shows a left side view thereof;

FIG. 6 shows a right side view thereof;

FIG. 7 shows a perspective side view thereof; and,

FIG. 8 shows a sectional view thereof.

**1 Claim, 4 Drawing Sheets**

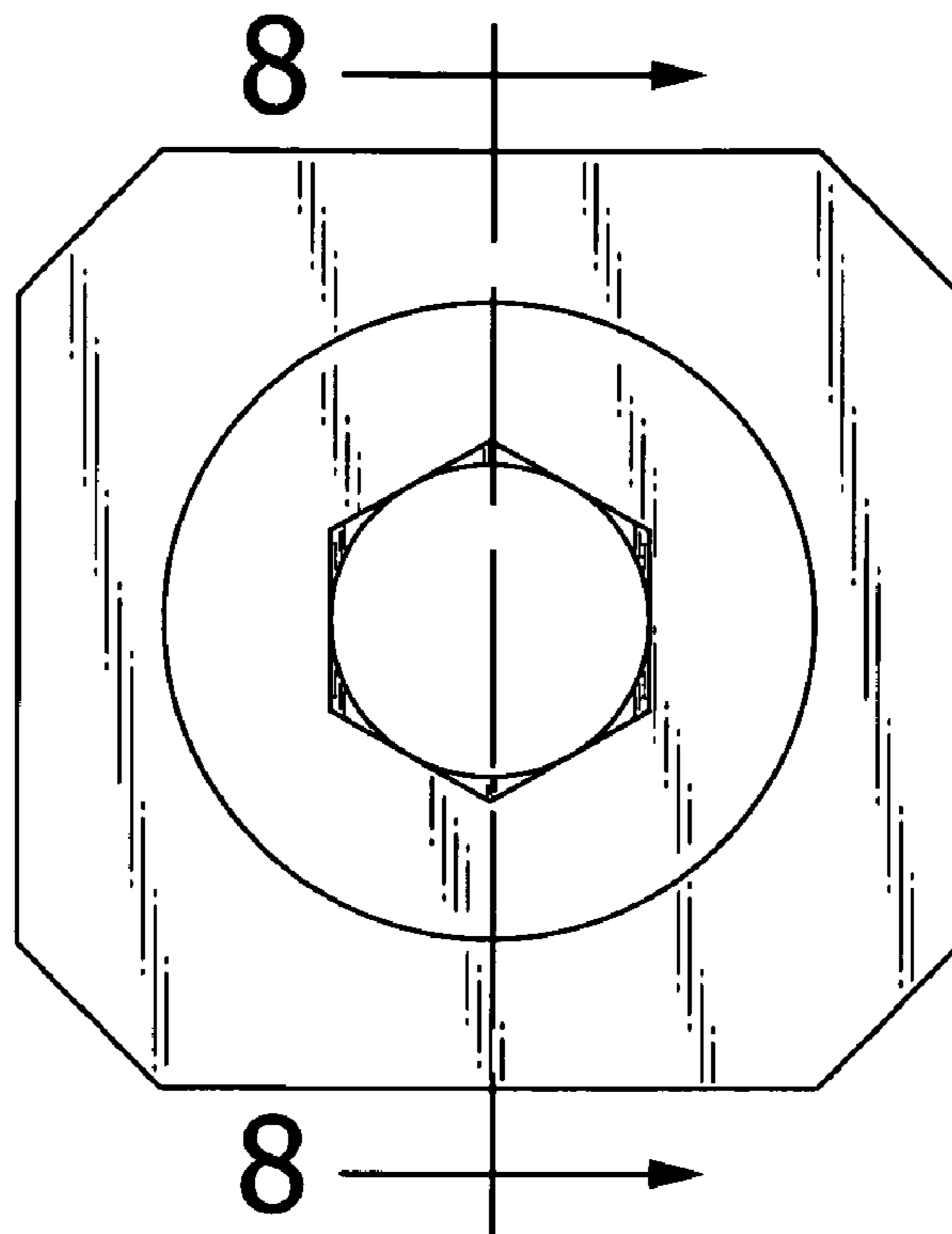


FIG. 1

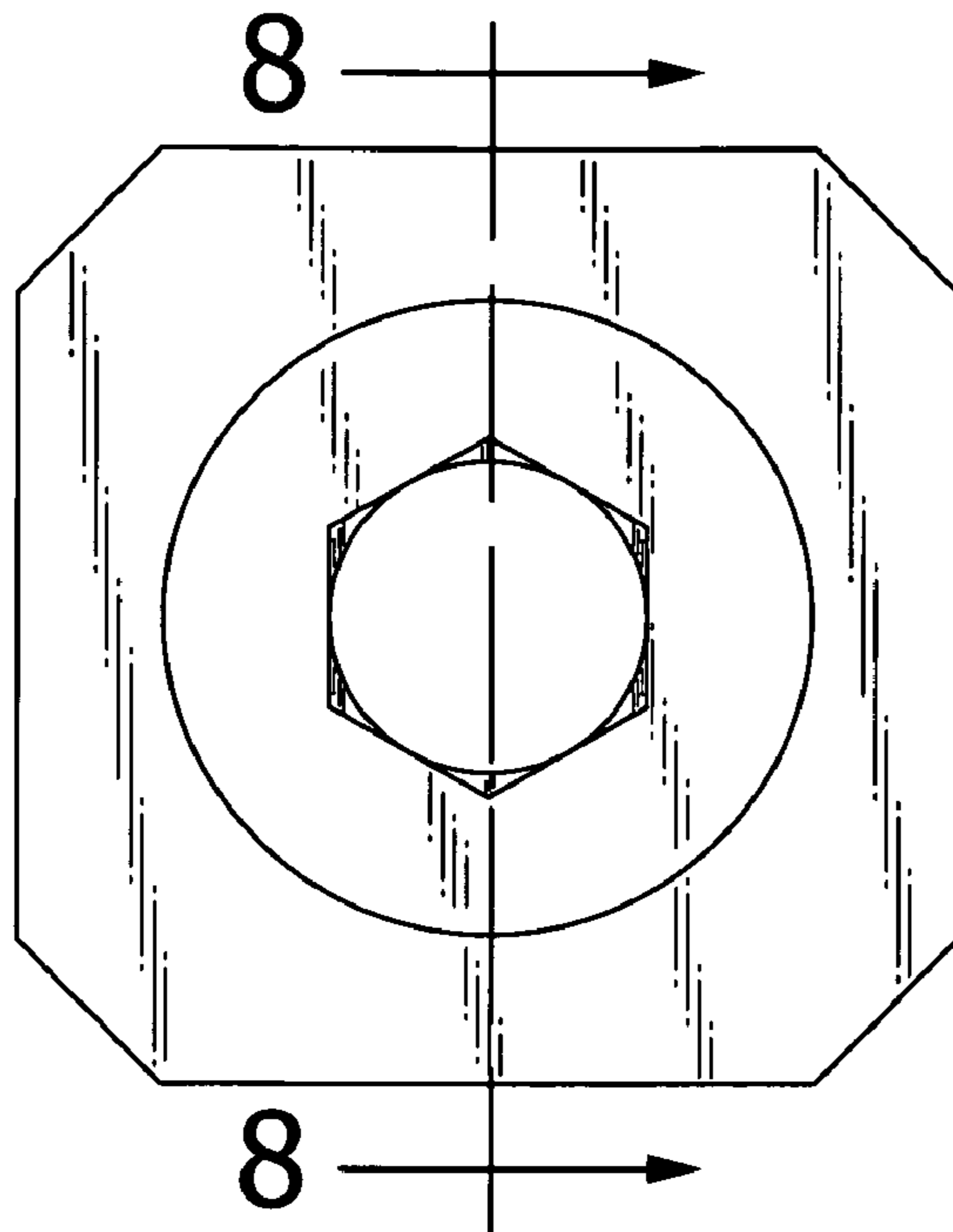


FIG. 2

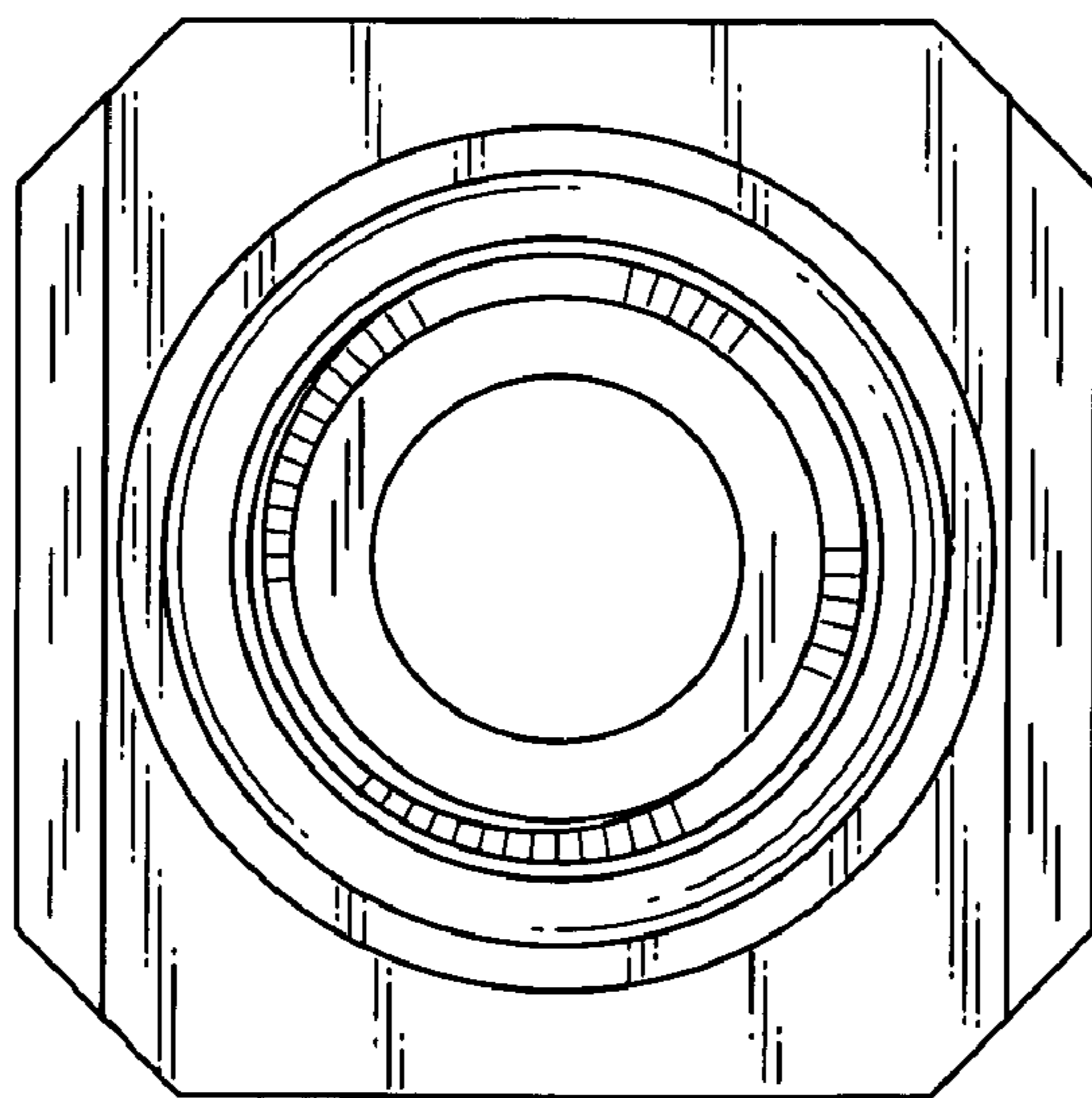


FIG. 3

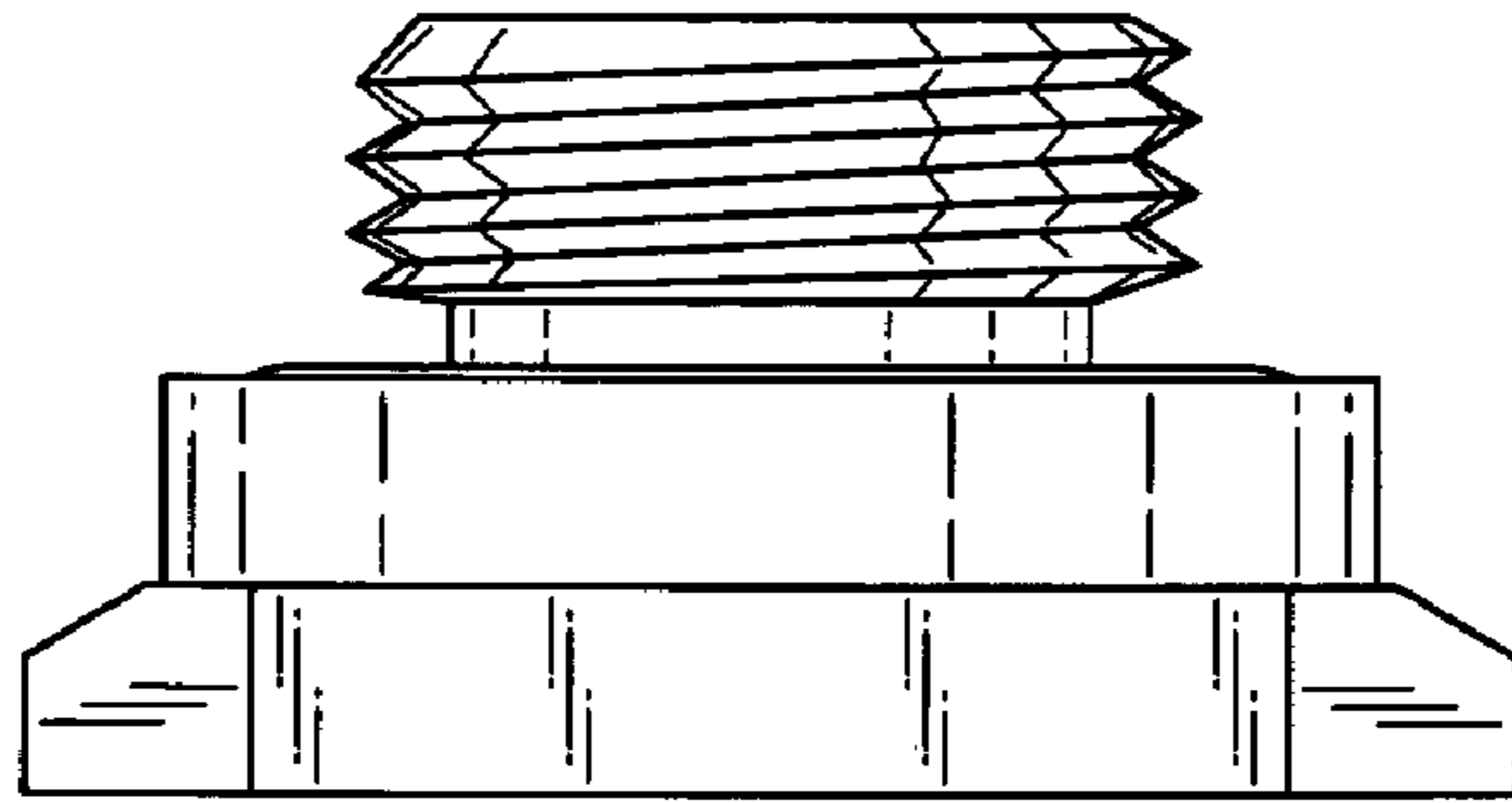


FIG. 4

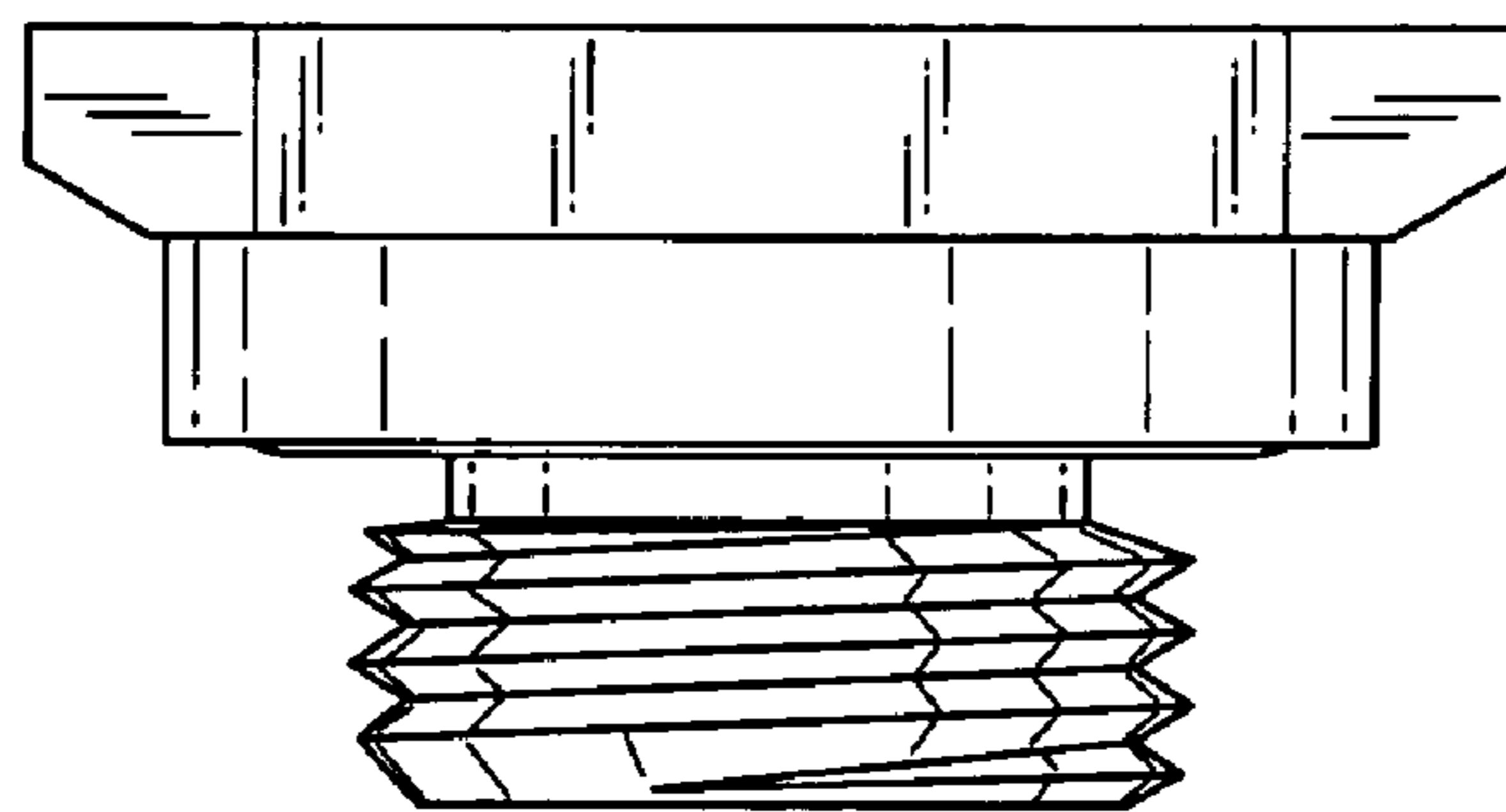


FIG. 5

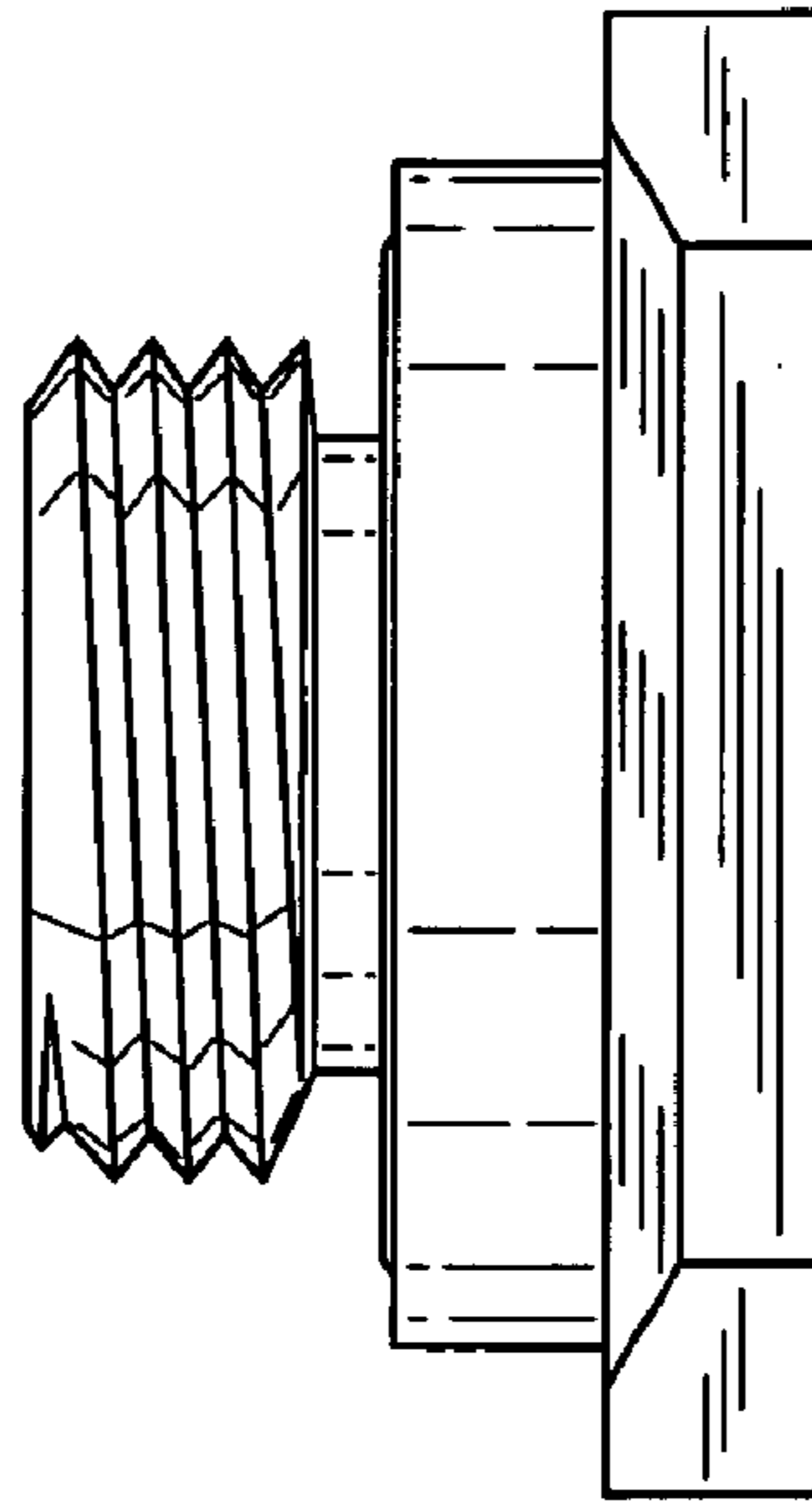


FIG. 6

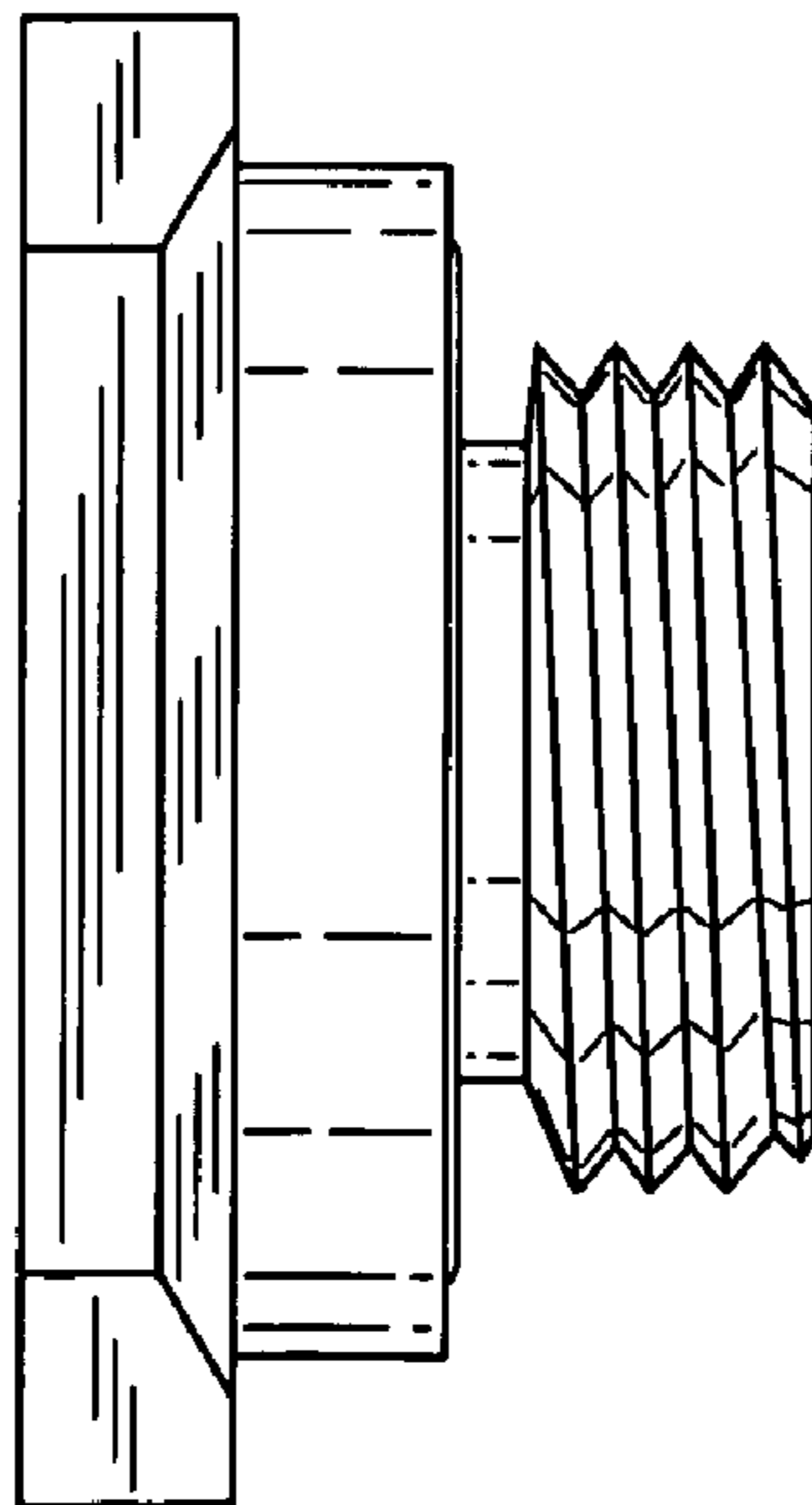


FIG. 7

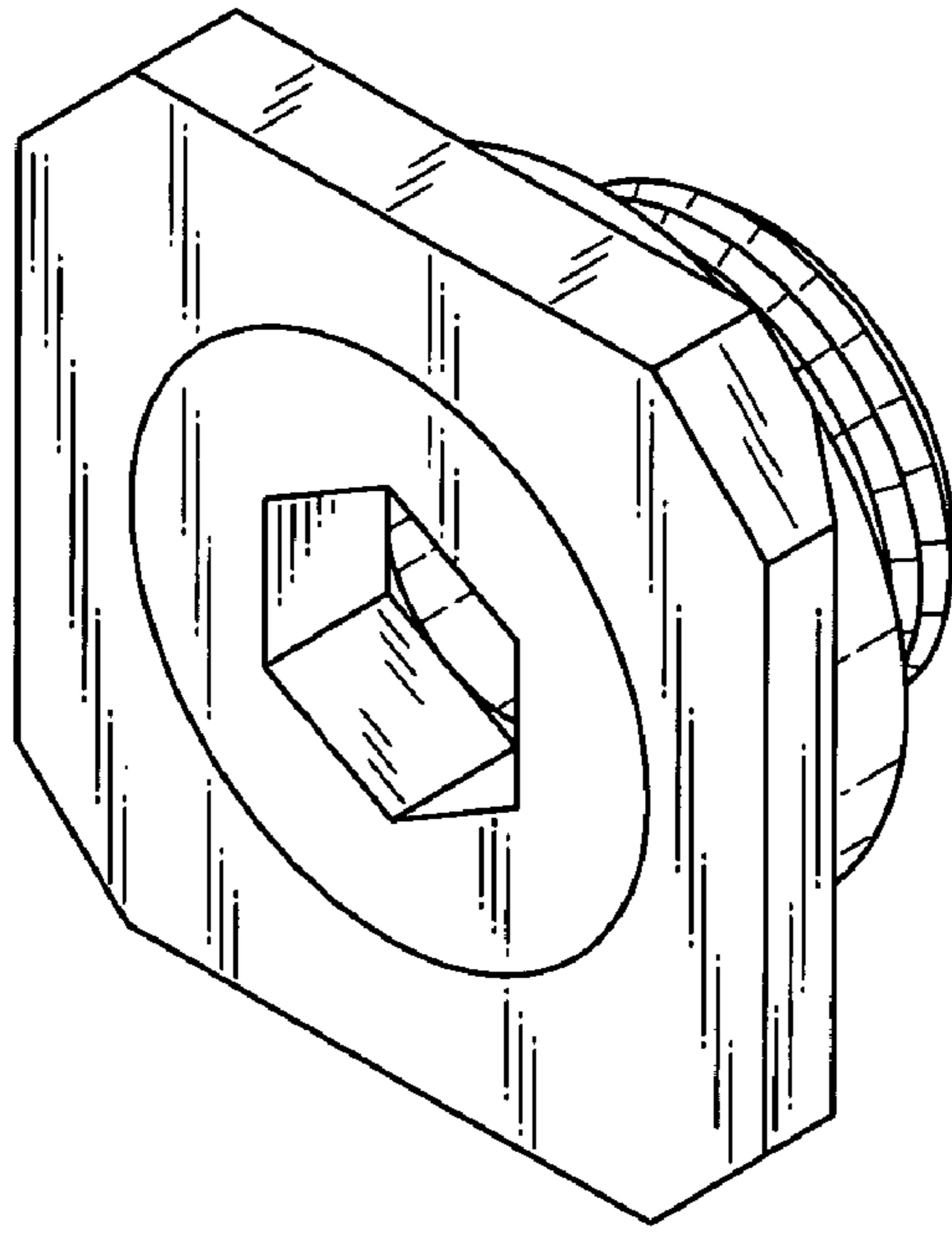


FIG. 8

