



US00D585529S

(12) **United States Design Patent**  
**Eilmus**

(10) **Patent No.:** **US D585,529 S**

(45) **Date of Patent:** **\*\* Jan. 27, 2009**

(54) **PLUMBING FITTING**

(75) Inventor: **Niels J. Eilmus**, Sheboygan, WI (US)

(73) Assignee: **Kohler Co.**, Kohler, WI (US)

(\*\*) Term: **14 Years**

(21) Appl. No.: **29/295,488**

(22) Filed: **Sep. 28, 2007**

(51) **LOC (9) Cl.** ..... **23-01**

(52) **U.S. Cl.** ..... **D23/255**

(58) **Field of Classification Search** ..... D23/255–257,  
D23/238–243; 4/675–678; 137/801  
See application file for complete search history.

(56) **References Cited**

**U.S. PATENT DOCUMENTS**

- D510,613 S 10/2005 Lammel et al.
- D531,270 S \* 10/2006 Smith ..... D23/241
- D541,382 S 4/2007 Hoernig
- D541,910 S 5/2007 Gilbert
- D567,910 S \* 4/2008 Shieh ..... D23/241

**OTHER PUBLICATIONS**

Kallista. "Michael S. Smith—For Loft Kitchen Faucet, Wristblade Handles". Kallista online catalog. Copyright 2007 Kallista.  
Franz Viegener. "Temple" Catalog page. Edition No. 1, Mar. 2002.

\* cited by examiner

*Primary Examiner*—Robert A Delehanty  
(74) *Attorney, Agent, or Firm*—Quarles & Brady LLP

(57) **CLAIM**

The ornamental design for a plumbing fitting, as shown and described.

**DESCRIPTION**

In a preferred embodiment, the nature of this product is a plumbing fitting in the form of a faucet, and/or body and handles therefore, used to wash various items.

FIG. 1 is a right, top, front perspective view of a plumbing fitting according to my new design;

FIG. 2 is a front elevational view thereof;

FIG. 3 is a left side elevational view thereof, the right side elevational view thereof being a mirror image of the left side shown;

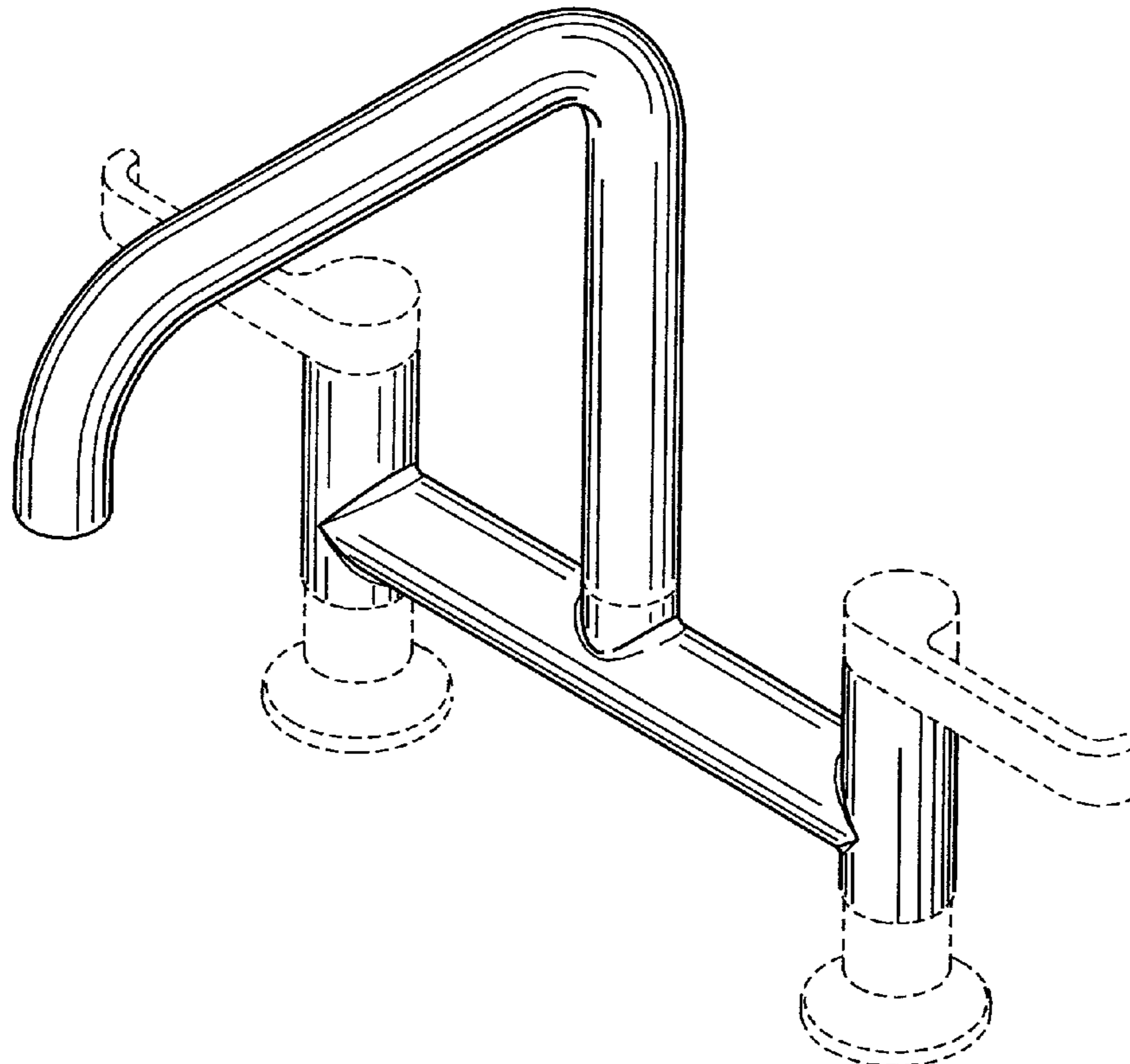
FIG. 4 is a top plan view thereof;

FIG. 5 is a rear elevational view thereof; and,

FIG. 6 is a bottom plan view thereof.

The broken line representations in the figures are for the purpose of illustration only, and form no part of the claimed design.

**1 Claim, 4 Drawing Sheets**



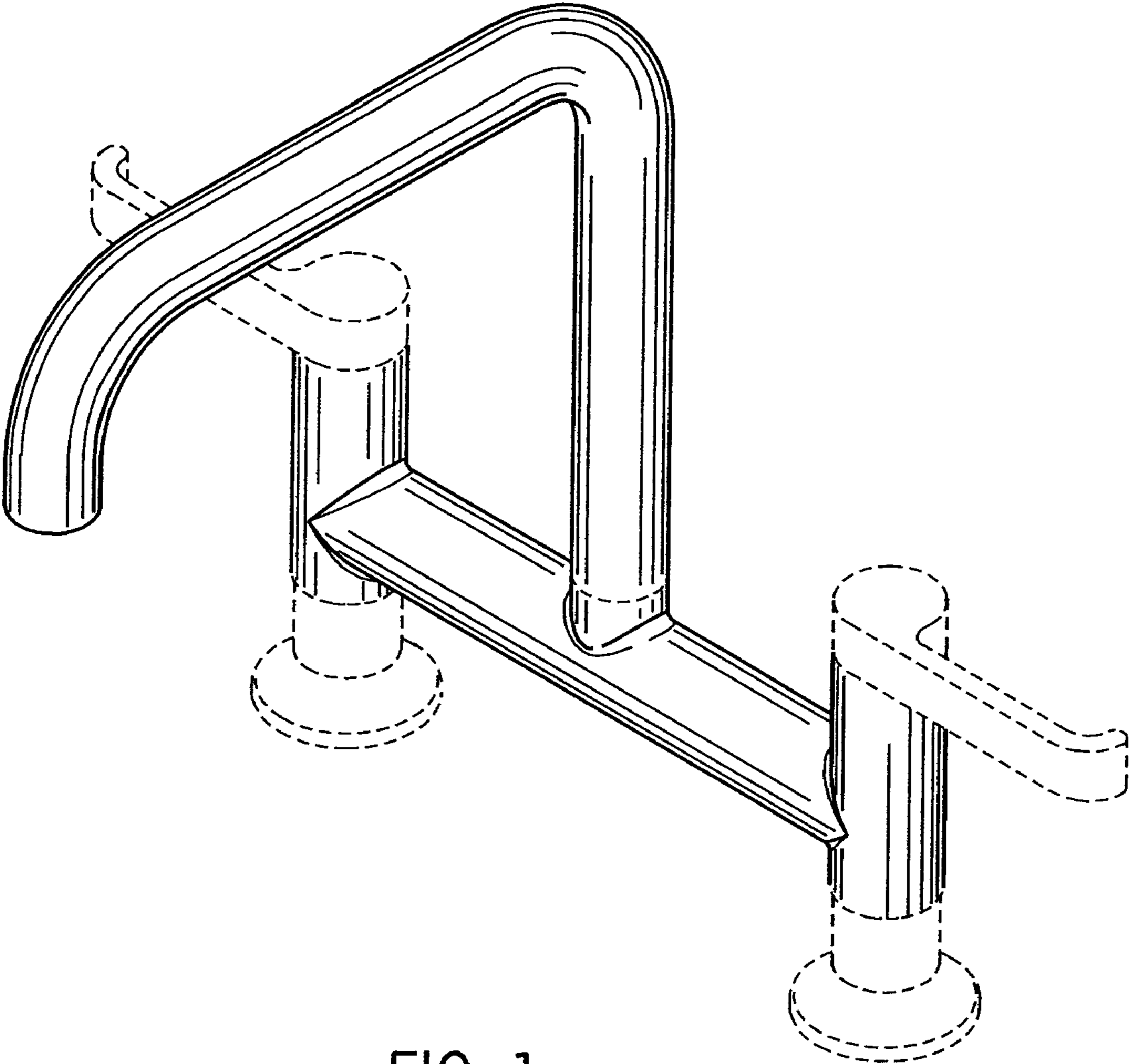


FIG. 1

FIG. 2

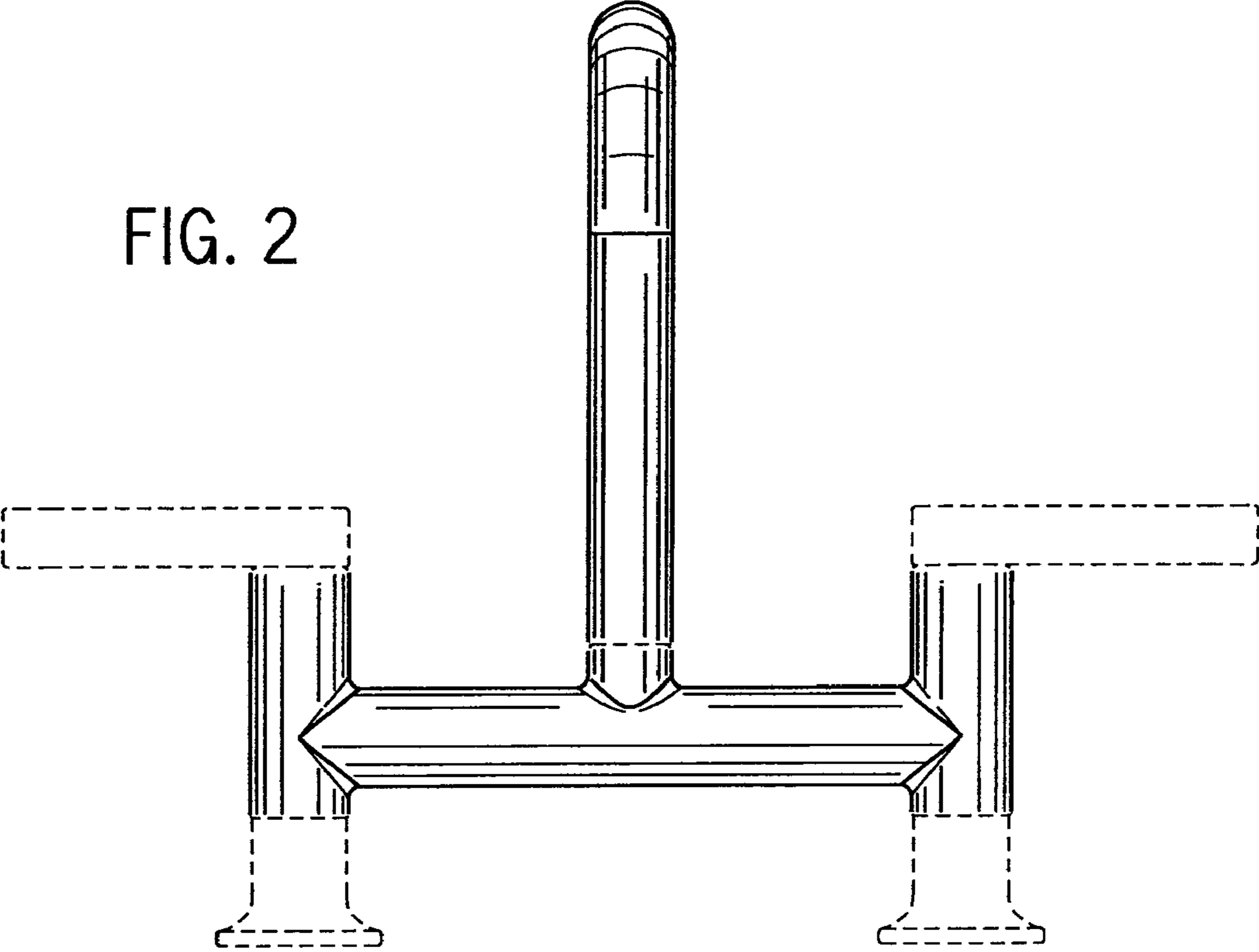
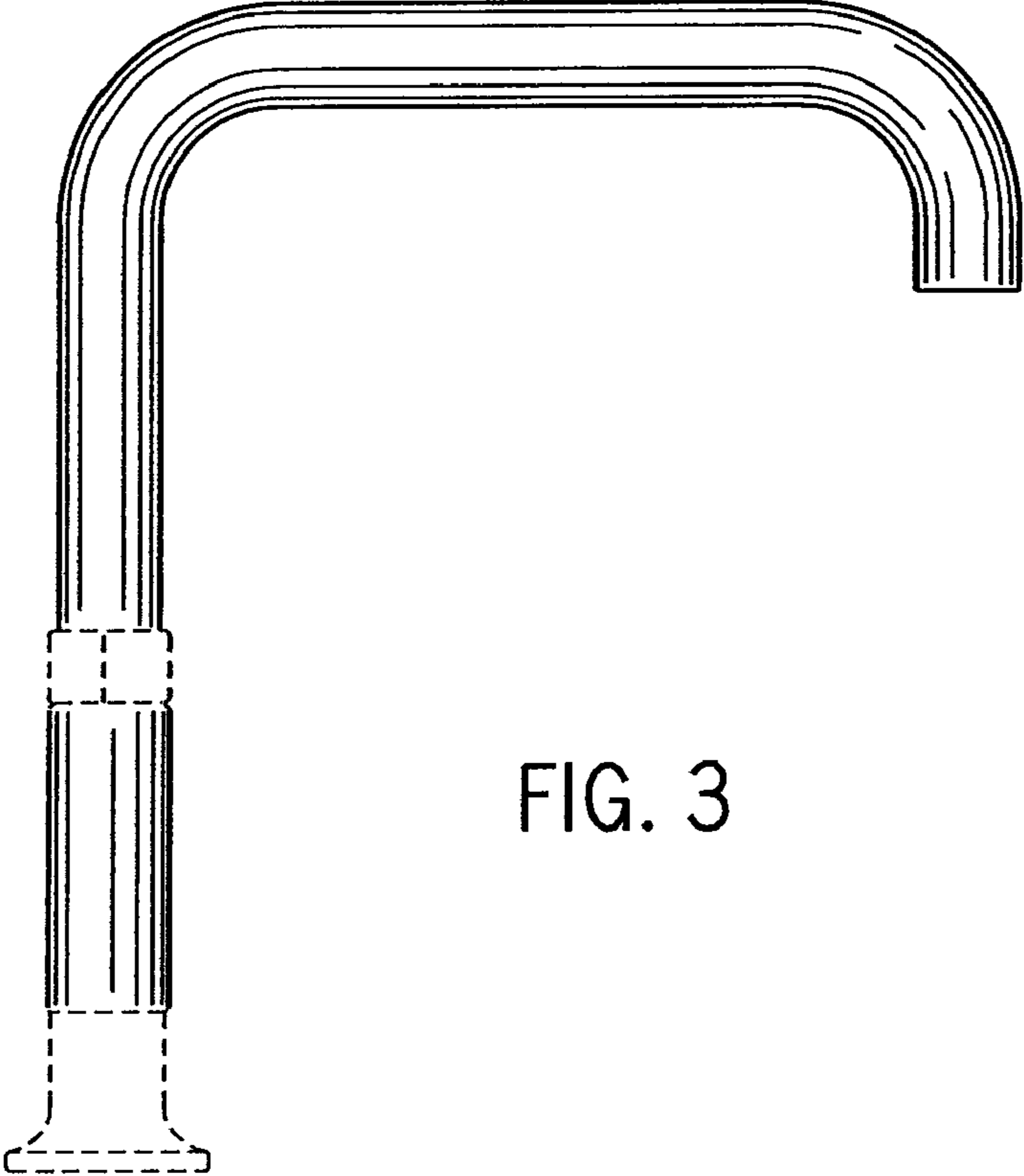


FIG. 3



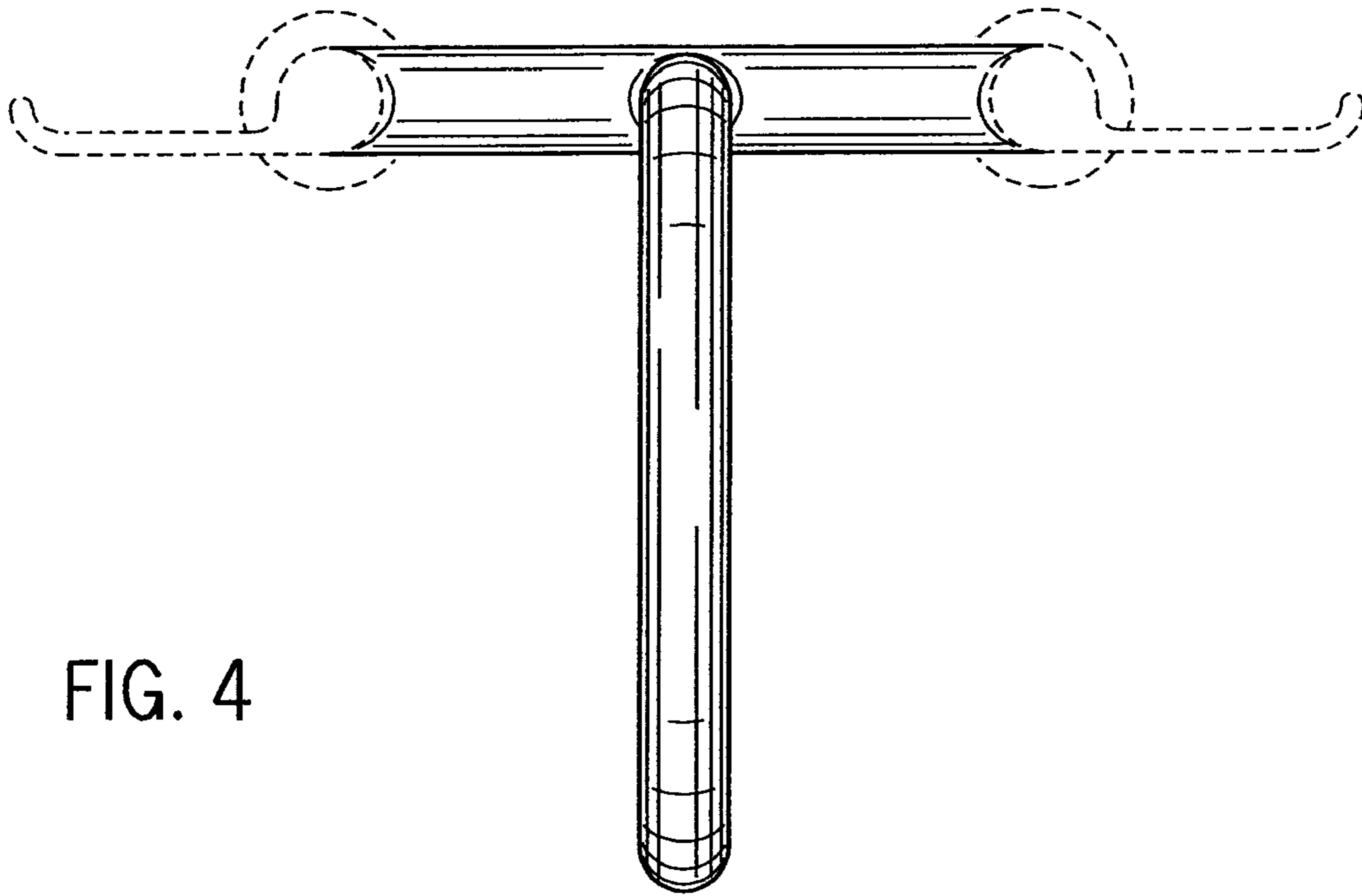


FIG. 4

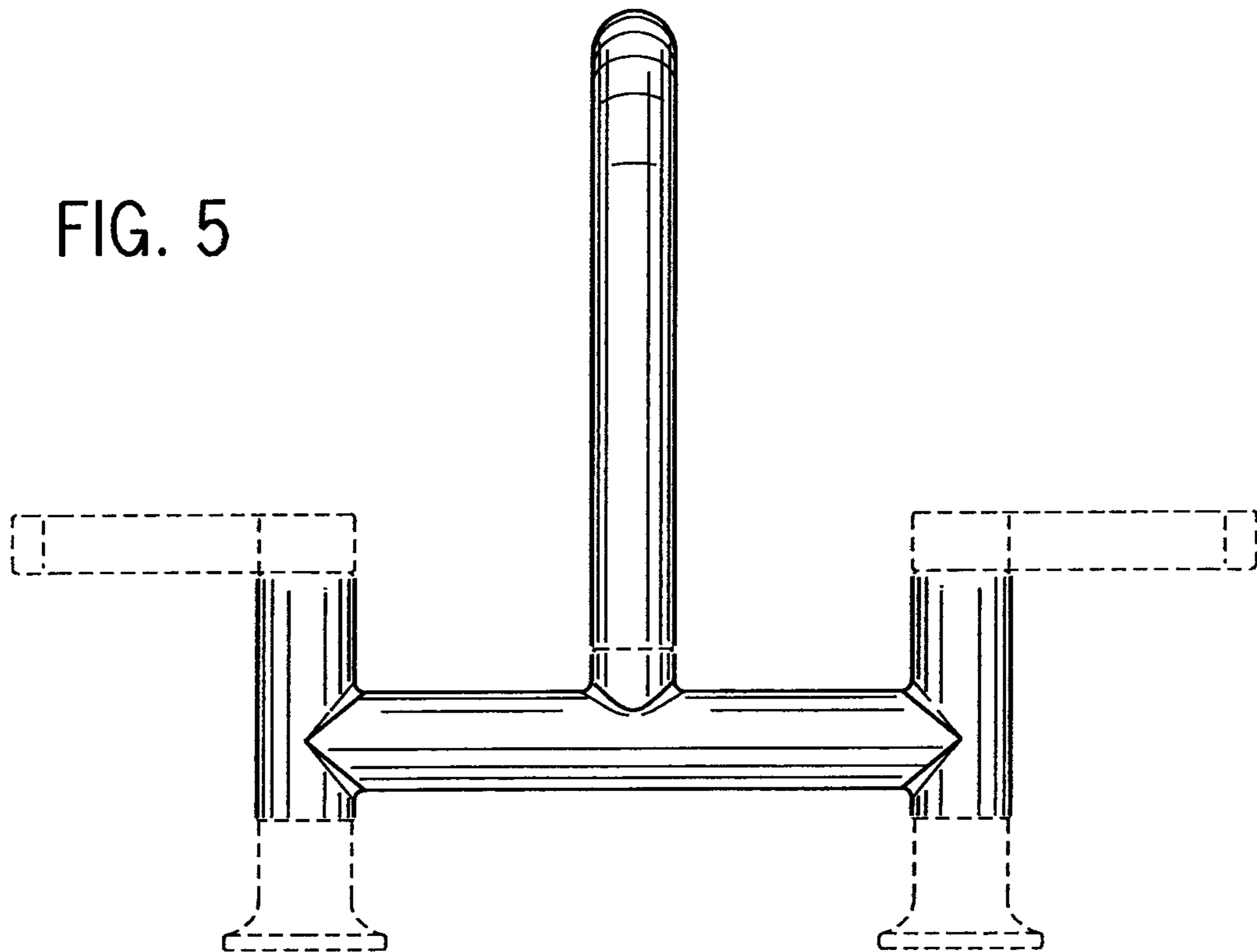


FIG. 5

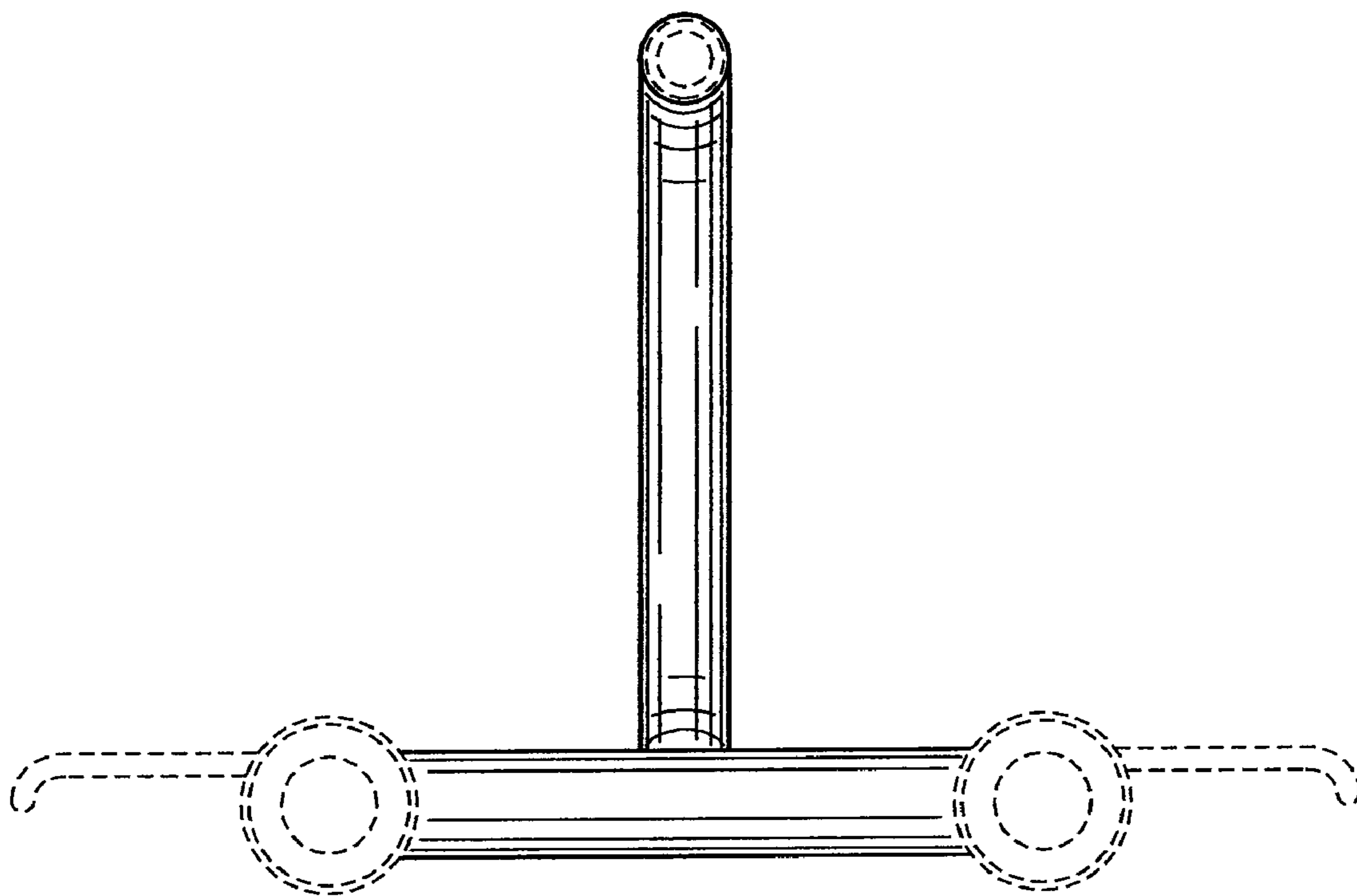


FIG. 6