



US00D585528S

(12) **United States Design Patent**  
**Urquiola**

(10) **Patent No.:** **US D585,528 S**

(45) **Date of Patent:** **\*\* Jan. 27, 2009**

(54) **FAUCET ASSEMBLY**

(75) Inventor: **Patricia Urquiola**, Milan (IT)

(73) Assignee: **Hansgrohe AG**, Schiltach (DE)

(\*\*) Term: **14 Years**

(21) Appl. No.: **29/283,890**

(22) Filed: **Aug. 27, 2007**

(30) **Foreign Application Priority Data**

Feb. 28, 2007 (DE) ..... 4 07 01 257

(51) **LOC (9) Cl.** ..... **23-01**

(52) **U.S. Cl.** ..... **D23/255**

(58) **Field of Classification Search** ..... D23/238–243,  
D23/255–257; 4/675–678; 137/801; D8/300,  
D8/307–308, 321; 16/110.1

See application file for complete search history.

(56) **References Cited**

**U.S. PATENT DOCUMENTS**

D308,568 S \* 6/1990 Strignano ..... D23/242

D317,496 S \* 6/1991 Kohler et al. .... D23/241  
D539,389 S \* 3/2007 Stein ..... D23/241  
D557,384 S \* 12/2007 Garner ..... D23/255  
D569,484 S \* 5/2008 Urquiola ..... D23/238

\* cited by examiner

*Primary Examiner*—Robert A Delehanty

(74) *Attorney, Agent, or Firm*—Leon E. Redman

(57) **CLAIM**

The ornamental design for a faucet assembly, as shown and described.

**DESCRIPTION**

FIG. 1 is a front perspective view of a faucet assembly showing my design;

FIG. 2 is a front elevational view thereof;

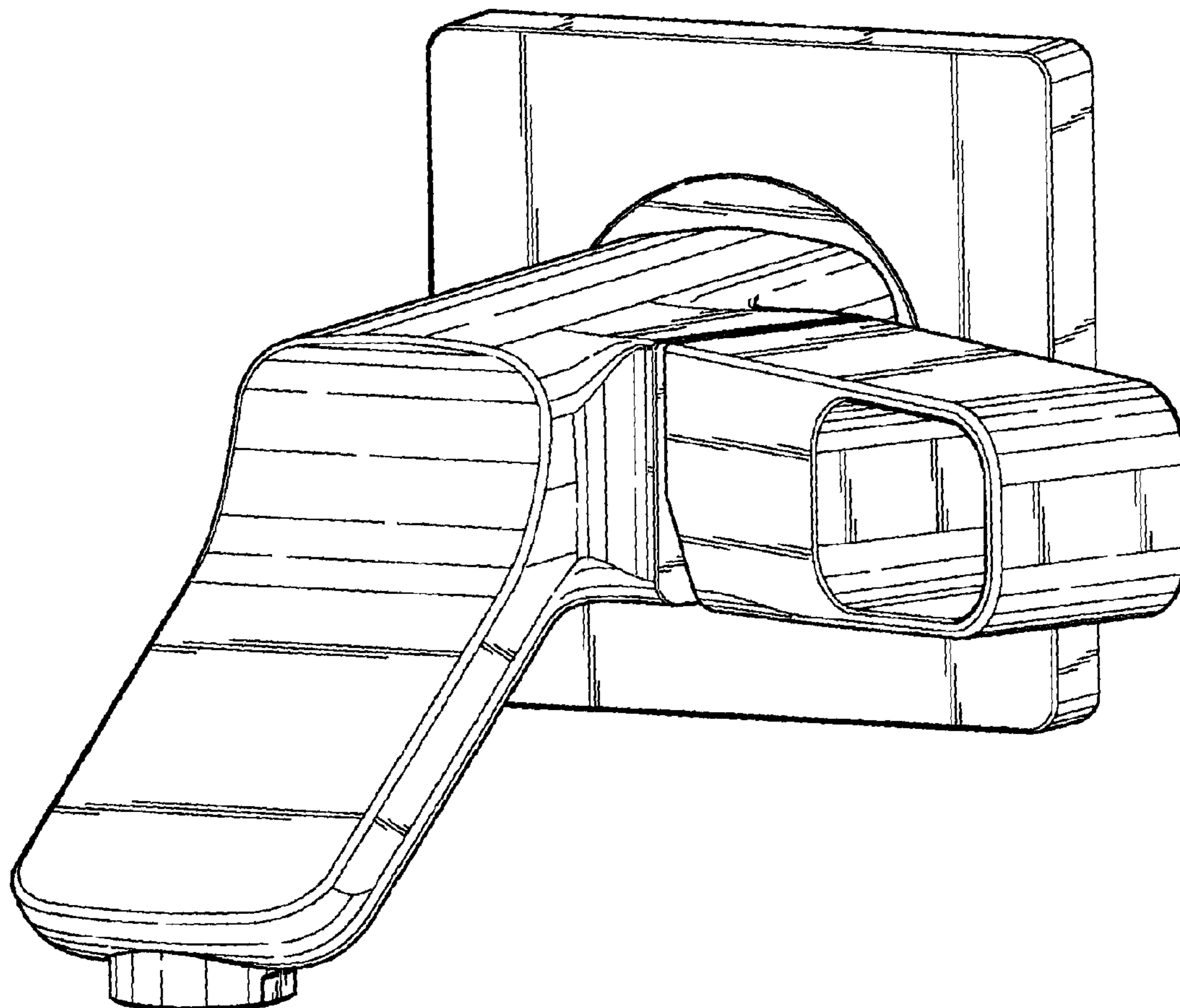
FIG. 3 is a left side elevational view thereof;

FIG. 4 is a right side elevational view thereof;

FIG. 5 is a top plan view thereof; and,

FIG. 6 is a bottom plan view thereof.

**1 Claim, 6 Drawing Sheets**



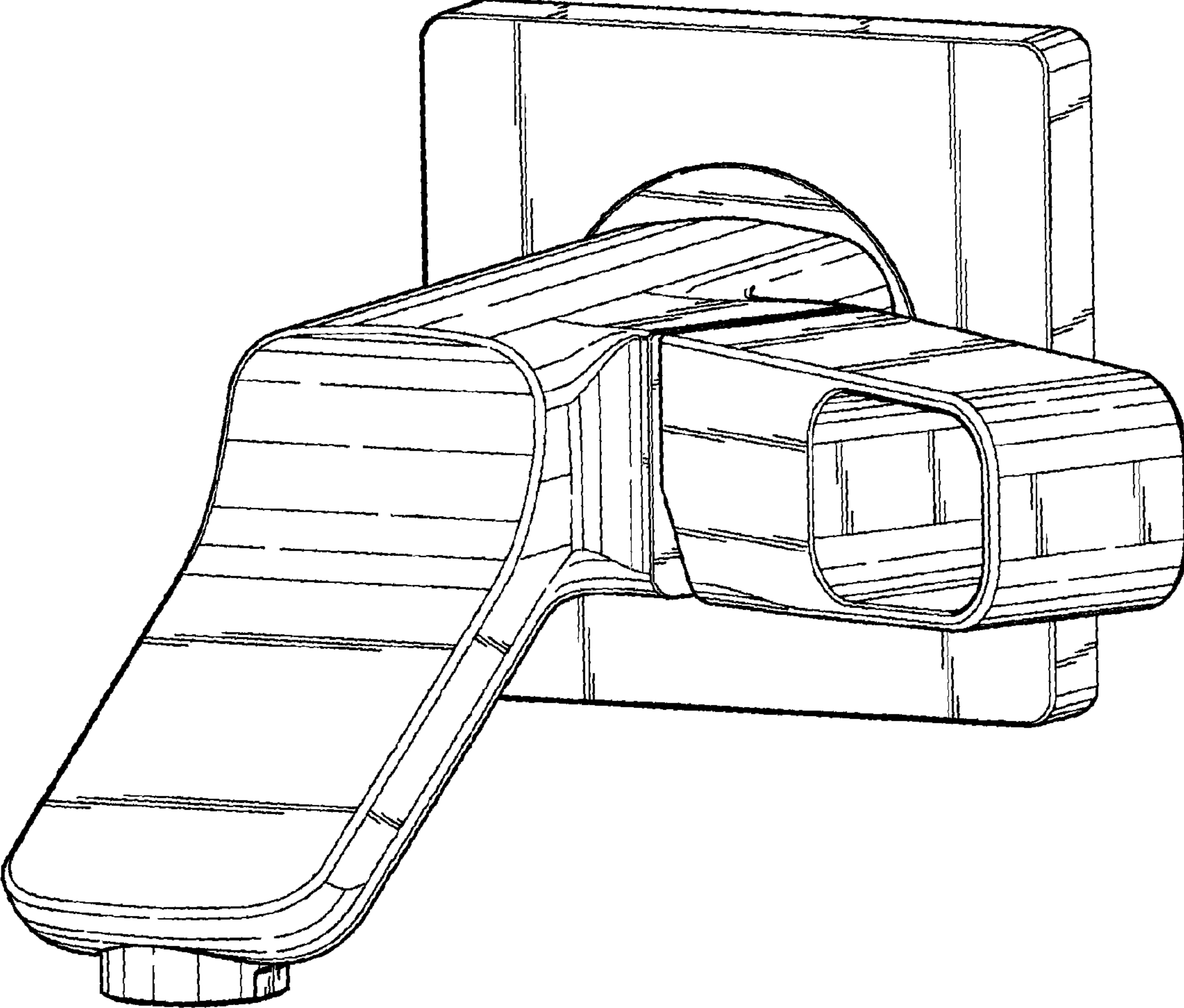


FIG. 1

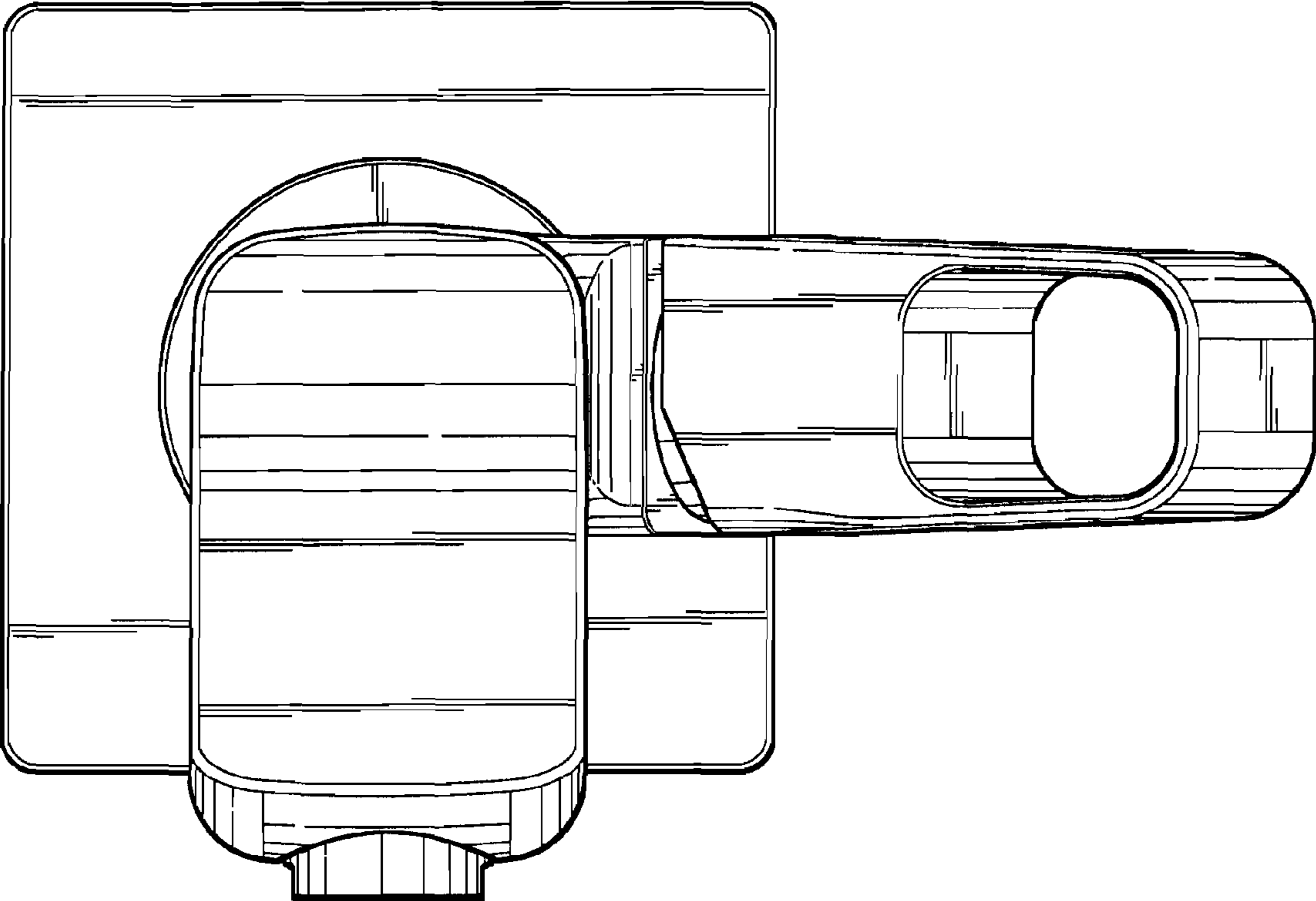


FIG. 2

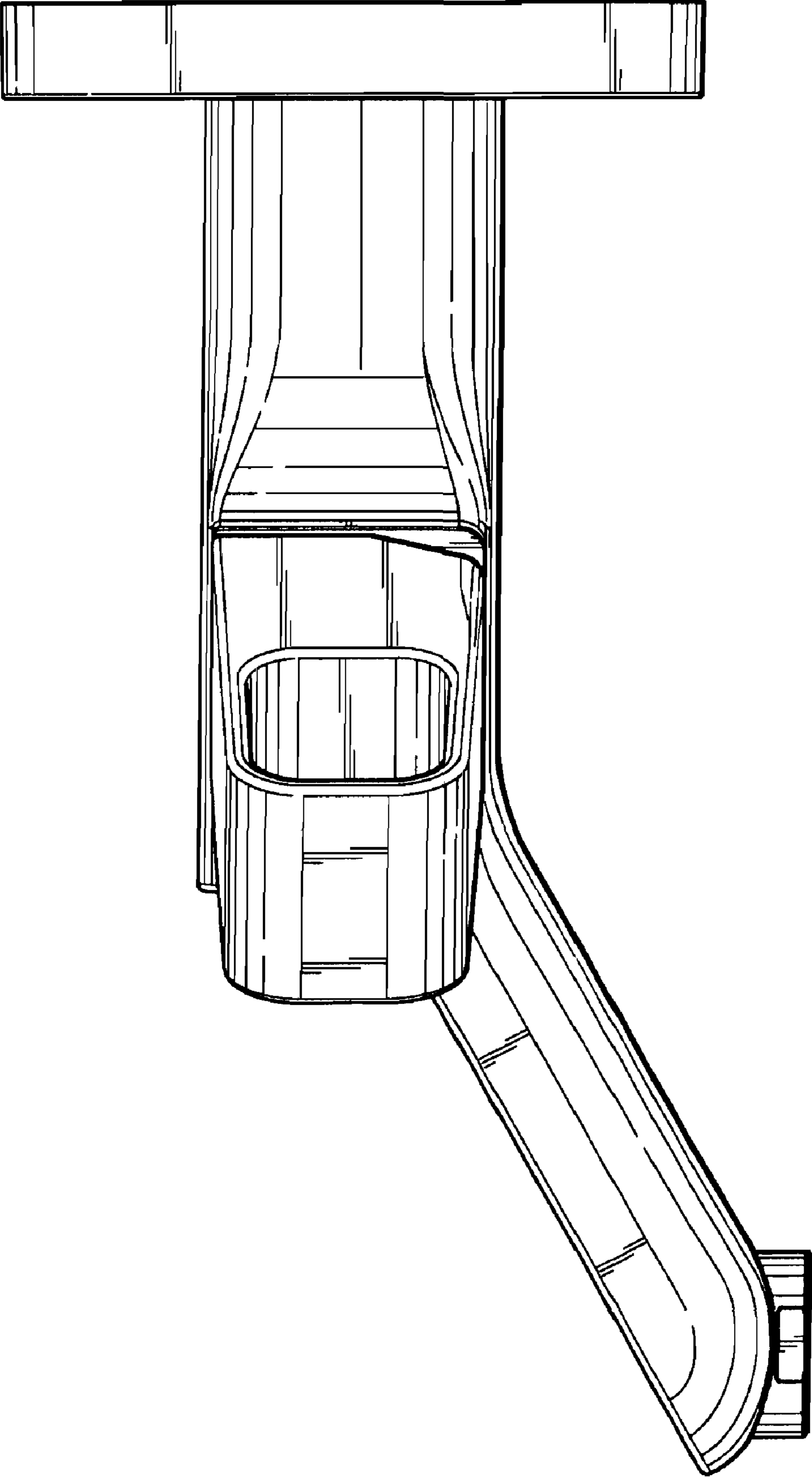


FIG. 3

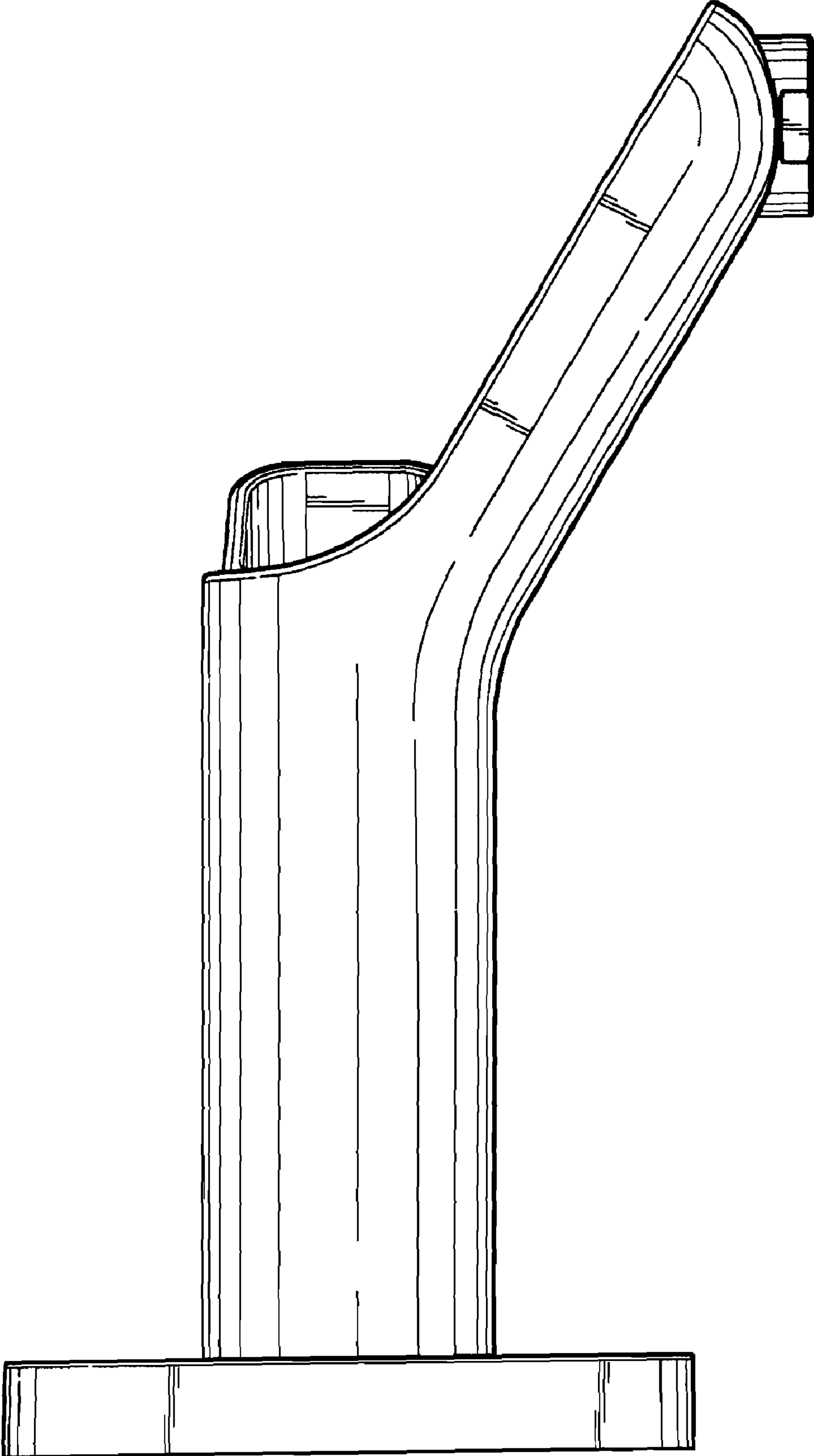


FIG. 4

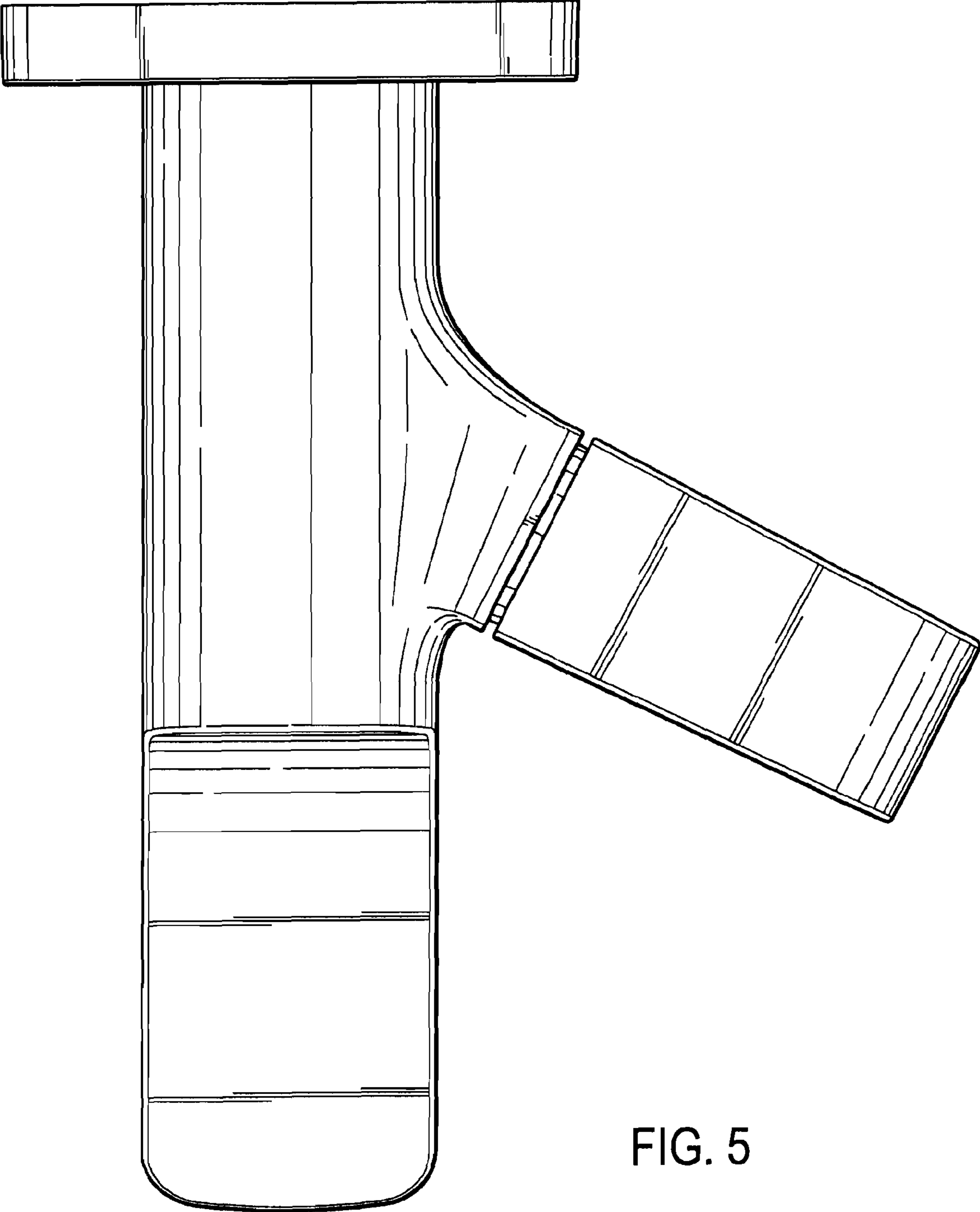


FIG. 5

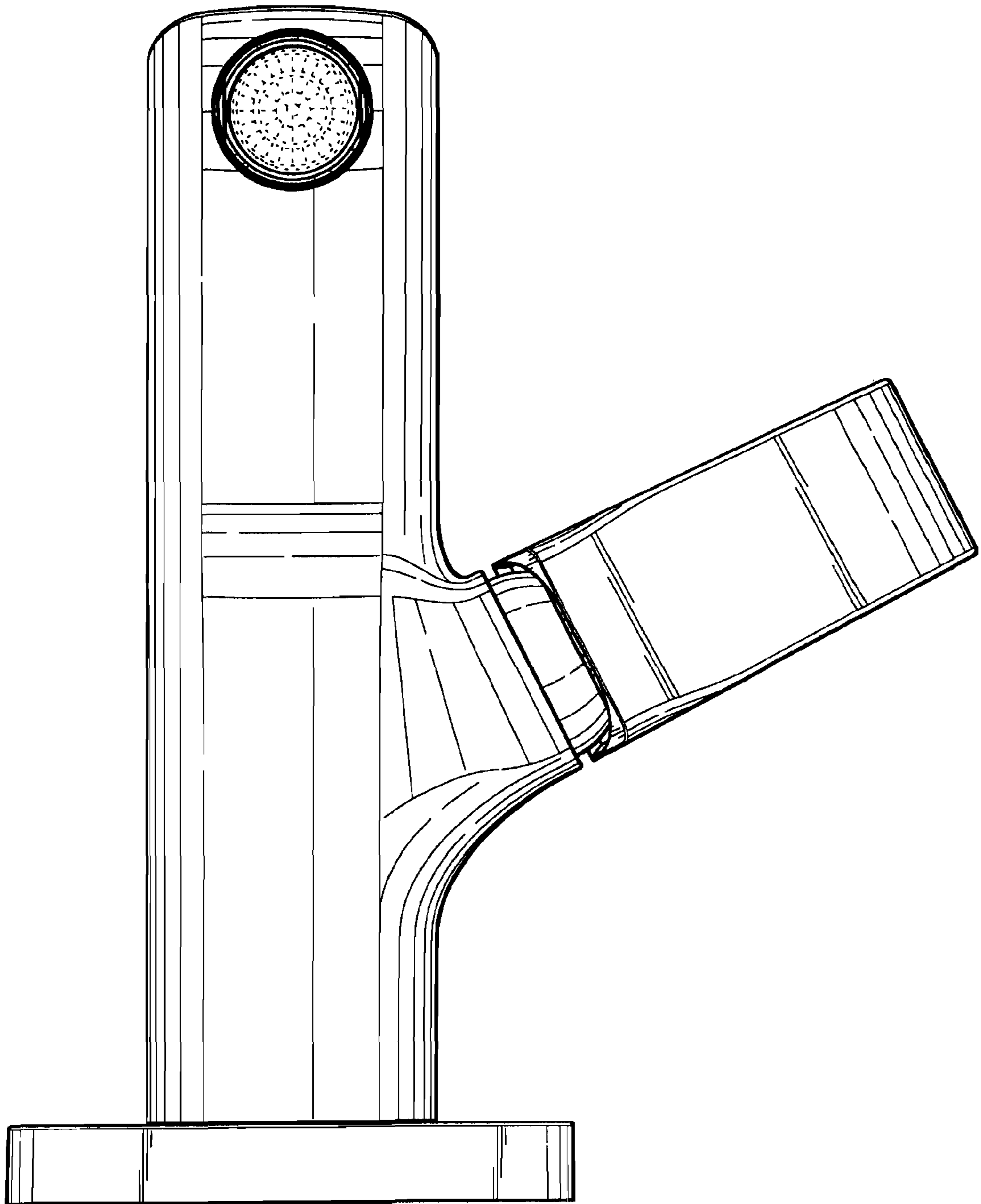


FIG. 6