



US00D585526S

(12) **United States Design Patent**
Kohler, Jr. et al.

(10) **Patent No.:** **US D585,526 S**
(45) **Date of Patent:** **** Jan. 27, 2009**

(54) **PLUMBING CONTROL**

(75) Inventors: **Herbert V. Kohler, Jr.**, Kohler, WI (US);
Duck Young Kong, Watertown, MA
(US)

(73) Assignee: **Kohler France SAS**, Paris (FR)

(**) Term: **14 Years**

(21) Appl. No.: **29/284,144**

(22) Filed: **Aug. 31, 2007**

(51) **LOC (9) Cl.** **23-01**

(52) **U.S. Cl.** **D23/250**

(58) **Field of Classification Search** D23/250,
D23/252-254, 238-243, 244-249, 304; 4/675-678;
D8/300, 307-308; D6/550; 137/801; 16/110.1,
16/441

See application file for complete search history.

(56) **References Cited**

U.S. PATENT DOCUMENTS

D272,642 S	2/1984	Fabian	
D299,851 S	2/1989	Rademacher	
D312,119 S	11/1990	Bergmann	
D351,456 S	10/1994	Paul	
D421,293 S *	2/2000	Mullenmeister D23/254
D526,186 S *	8/2006	Haug et al. D8/307
D532,084 S	11/2006	Toyohara	
D540,916 S	4/2007	Toyohara	

FOREIGN PATENT DOCUMENTS

DM	054015	8/2000
EP	000278569-0006	3/2005
EP	000300819-0008	5/2005

OTHER PUBLICATIONS

FIMA (Carlo Frattini) Rubinetterie, "Spillo". Model 3241, FIMA (Carlo Frattini) Rubinetterie online catalog, Earliest date known Dec. 17, 2004.

Jacob Delafon. "Ultima & Ginko faucet". Model No.: E71899. Jacob Delafon online catalog. Dated located Jun. 22, 2007.

PSCBATH. "NEVOBAD Line—Sidney Faucet serie". HomePortfolio.com online catalog. Copyright 1997-2007 HomePortfolio Inc.

Kohler Co. "Stillness single-function showerhead". Model No.: K-967. Kohler Co. online catalog. Copyright 2007 Kohler Co.

Signature Hardware. "Colebrook Premium Shower Arm with Flange". SignatureHardware.com online catalog. Copyright 1999-2007 Signaturehardware.com or its affiliates.

Kohler France SAS. Official Action in Russia, corresponding to Application No. 2007503062, filed Sep. 5, 2007.

* cited by examiner

Primary Examiner—Robert A Delehanty

(74) *Attorney, Agent, or Firm*—Quarles & Brady LLP

(57) **CLAIM**

The ornamental design for a plumbing control, as shown and described.

DESCRIPTION

In a preferred embodiment, the nature of this product is as a plumbing control in the form of a shower and/or bath control and handle therefor.

FIG. 1 is a left, top, front perspective view of a plumbing control according to our new design;

FIG. 2 is a front elevational view thereof;

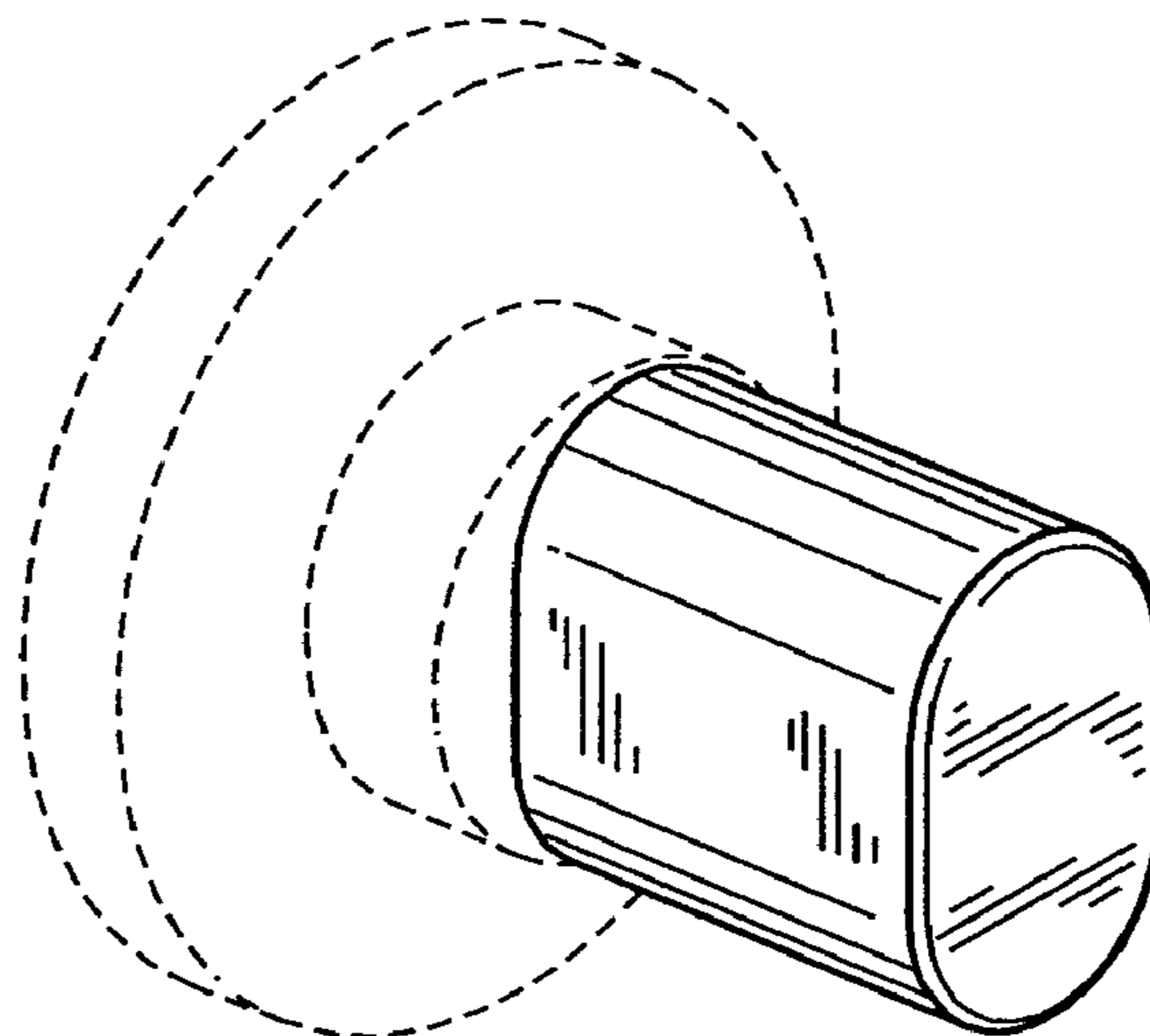
FIG. 3 is a left side elevational view thereof, the right side elevational view thereof being a mirror image of the left side shown;

FIG. 4 is a top plan view thereof, the bottom plan view thereof being a mirror image of the top view shown; and,

FIG. 5 is a rear elevational view thereof.

The broken line representations in the figures are for the purpose of illustration only, and form no part of the claimed design.

1 Claim, 1 Drawing Sheet



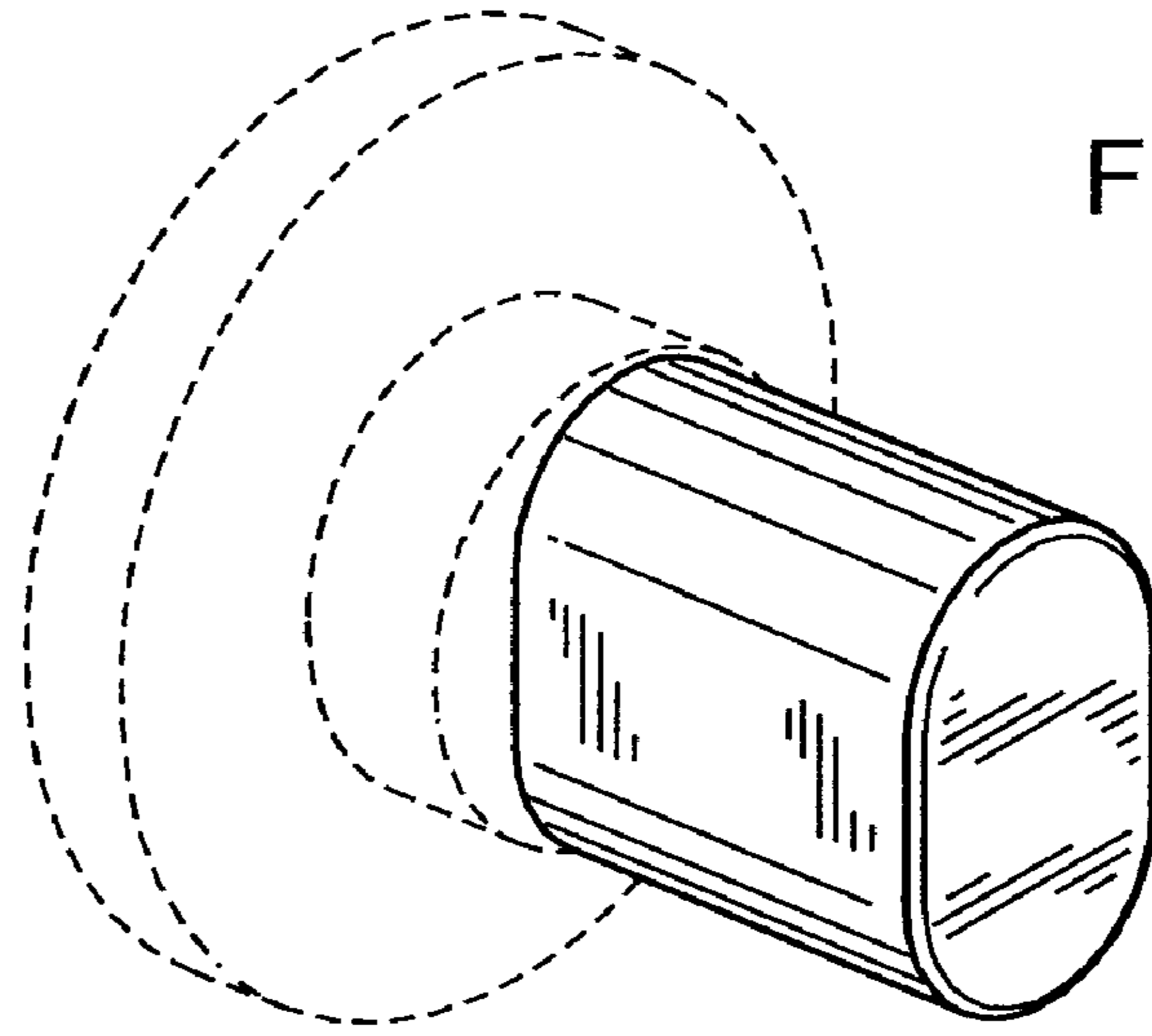


FIG. 1

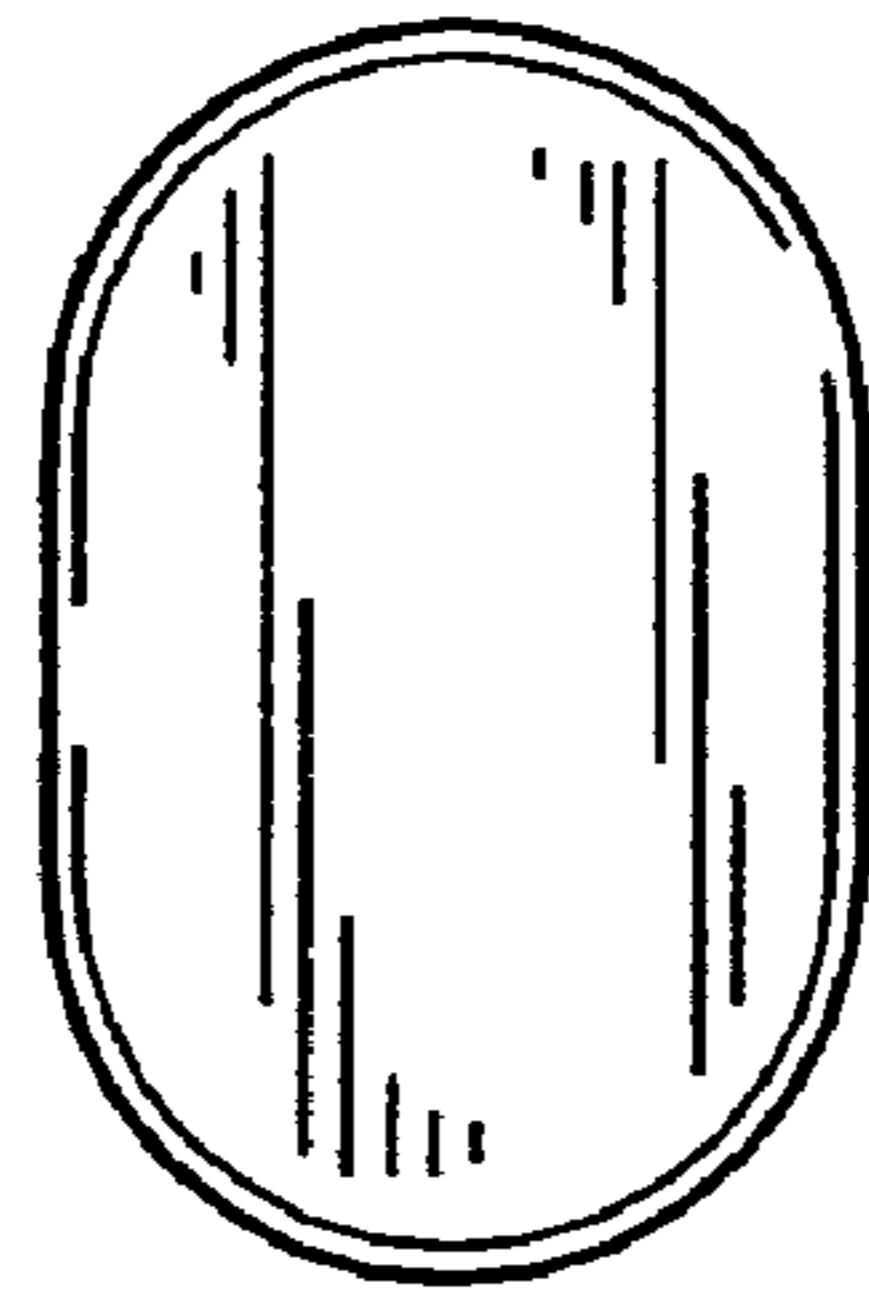


FIG. 2

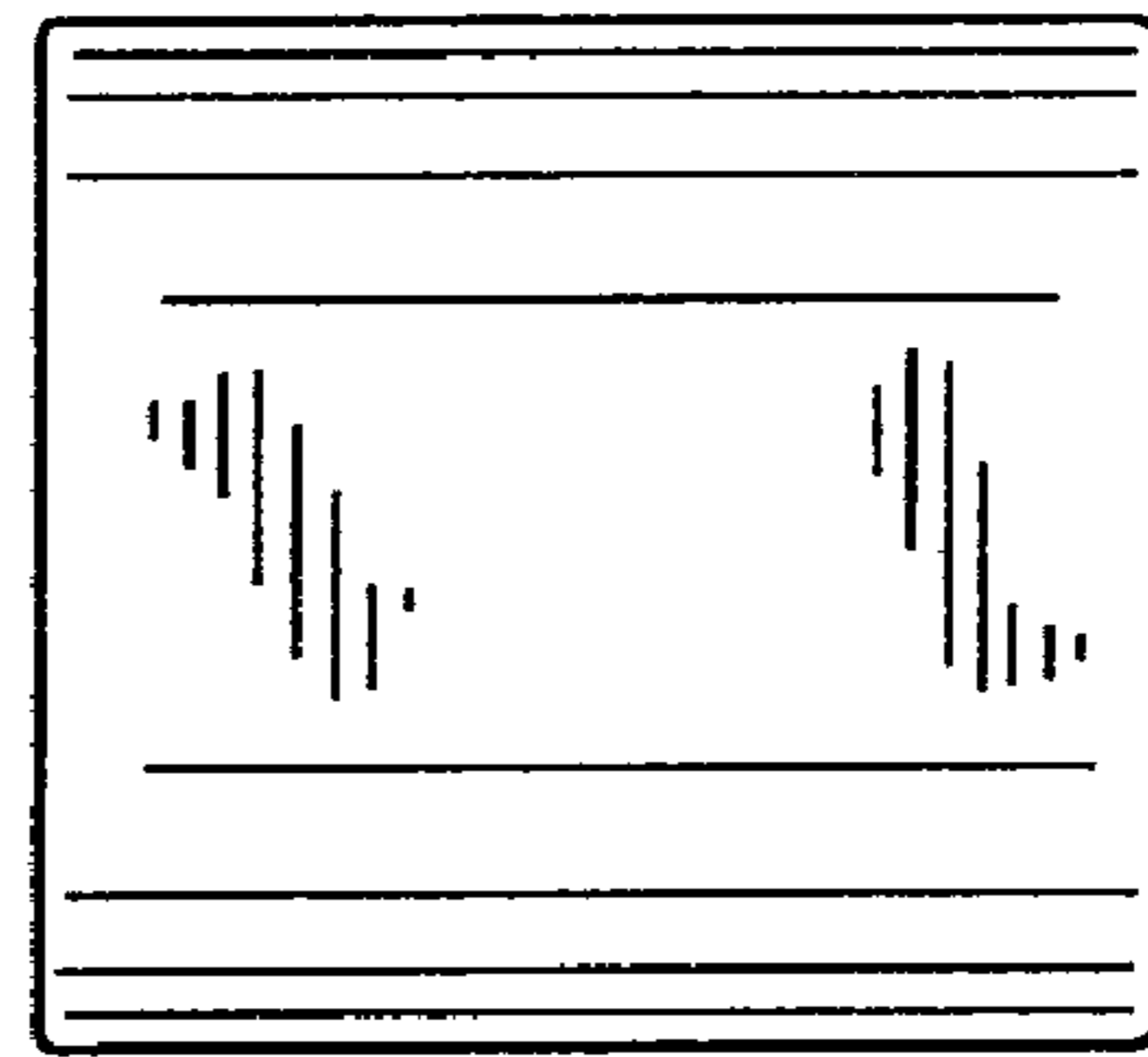


FIG. 3

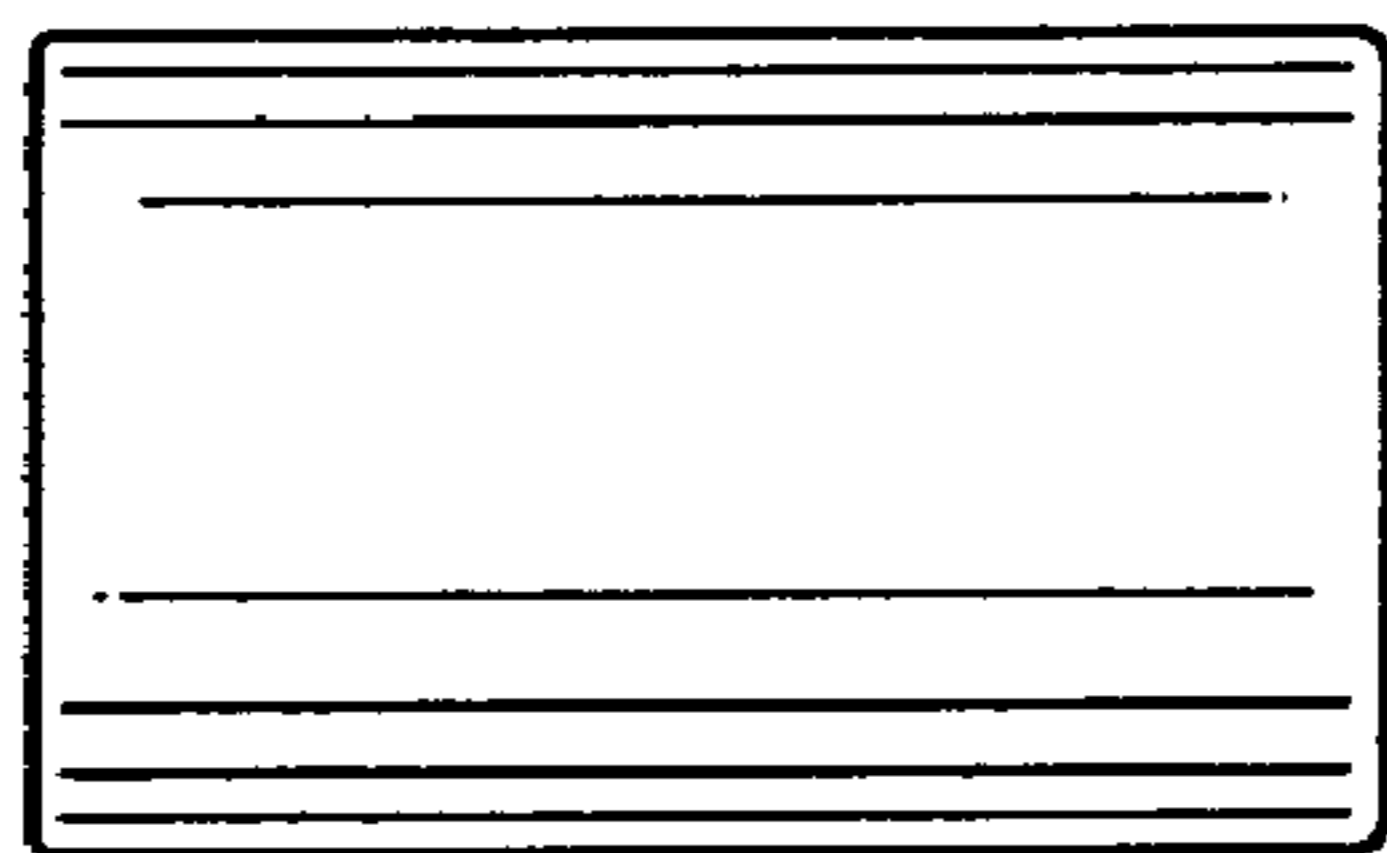


FIG. 4

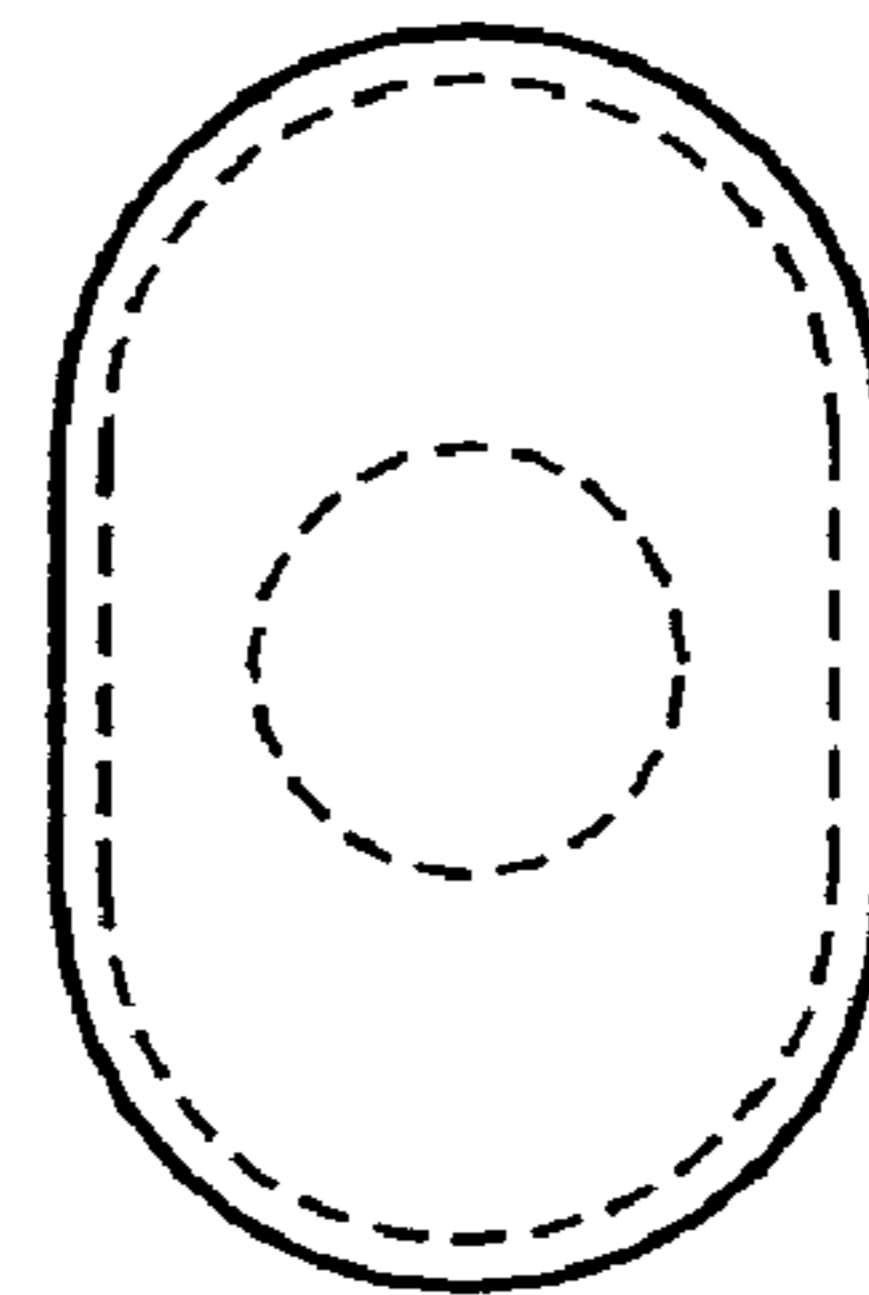


FIG. 5