



US00D585525S

(12) **United States Design Patent**  
**Ko**

(10) **Patent No.:** **US D585,525 S**

(45) **Date of Patent:** **\*\* Jan. 27, 2009**

(54) **FAUCET SET**

(74) *Attorney, Agent, or Firm*—Troxell Law Office, PLLC

(75) Inventor: **Hsi Chia Ko**, Changhua Hsien (TW)

(57) **CLAIM**

(73) Assignee: **Chung Cheng Faucet Co., Ltd.**,  
Changhua Hsien (TW)

The ornamental design for a faucet set, as shown and described.

(\*\*) Term: **14 Years**

**DESCRIPTION**

(21) Appl. No.: **29/274,459**

FIG. 1 is a perspective view of a faucet set showing my new design;

(22) Filed: **Apr. 25, 2007**

FIG. 2 is a front view thereof;

(51) **LOC (9) Cl.** ..... **23-01**

FIG. 3 is a rear view thereof;

(52) **U.S. Cl.** ..... **D23/242**

FIG. 4 is a left side view thereof;

(58) **Field of Classification Search** ..... D23/200,  
D23/238–257; D6/512, 546, 550; D8/300,  
D8/307–308, 310–312, 321; 4/675–678;  
137/801; 16/110.1, 441

FIG. 5 is a right side view thereof;

See application file for complete search history.

FIG. 6 is a top view thereof;

FIG. 7 is a bottom view thereof;

(56) **References Cited**

FIG. 8 is the first operational embodiment thereof;

**U.S. PATENT DOCUMENTS**

FIG. 9 is the second operational embodiment thereof;

D446,286 S \* 8/2001 Fleischmann ..... D23/242

FIG. 10 is the third operational embodiment thereof;

D465,558 S \* 11/2002 Ouyoung ..... D23/241

FIG. 11 is the fourth operational embodiment thereof;

D467,307 S \* 12/2002 Sieger ..... D23/241

FIG. 12 is the fifth operational embodiment thereof;

D476,721 S \* 7/2003 Ouyoung ..... D23/242

FIG. 13 is the sixth operational embodiment thereof; and,

D477,859 S \* 7/2003 Citterio ..... D23/241

FIG. 14 is the seventh operational embodiment thereof.

D511,563 S \* 11/2005 Berman ..... D23/242

The broken lines shown in the faucet spout, the circular area on the faucet base, the water flow director, and the large base are included for the purpose of illustrating a portion of the faucet set that forms no part of the claimed design.

D532,087 S \* 11/2006 Citterio ..... D23/252

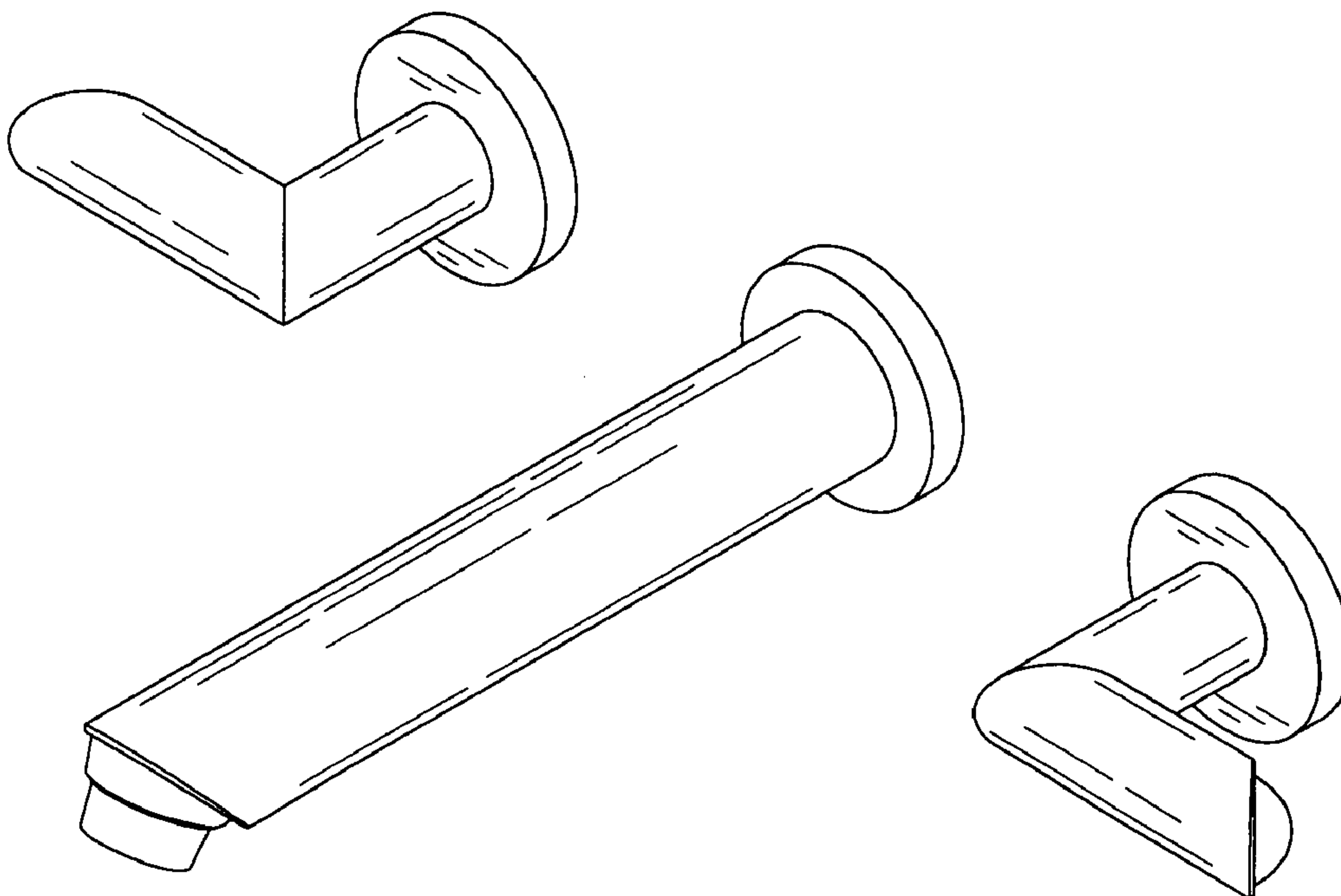
D532,487 S \* 11/2006 Citterio ..... D23/252

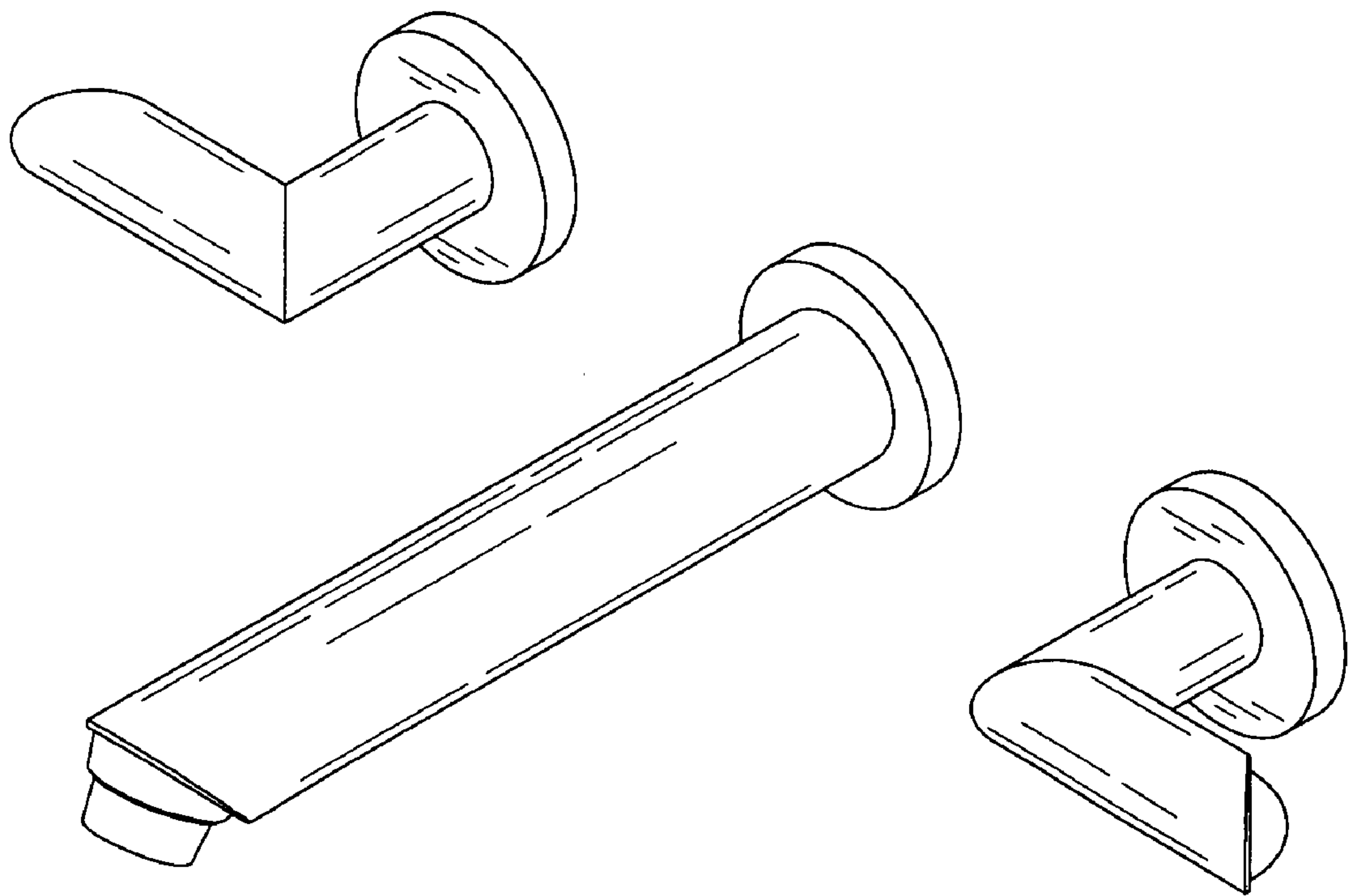
\* cited by examiner

*Primary Examiner*—Robert A. Delehanty

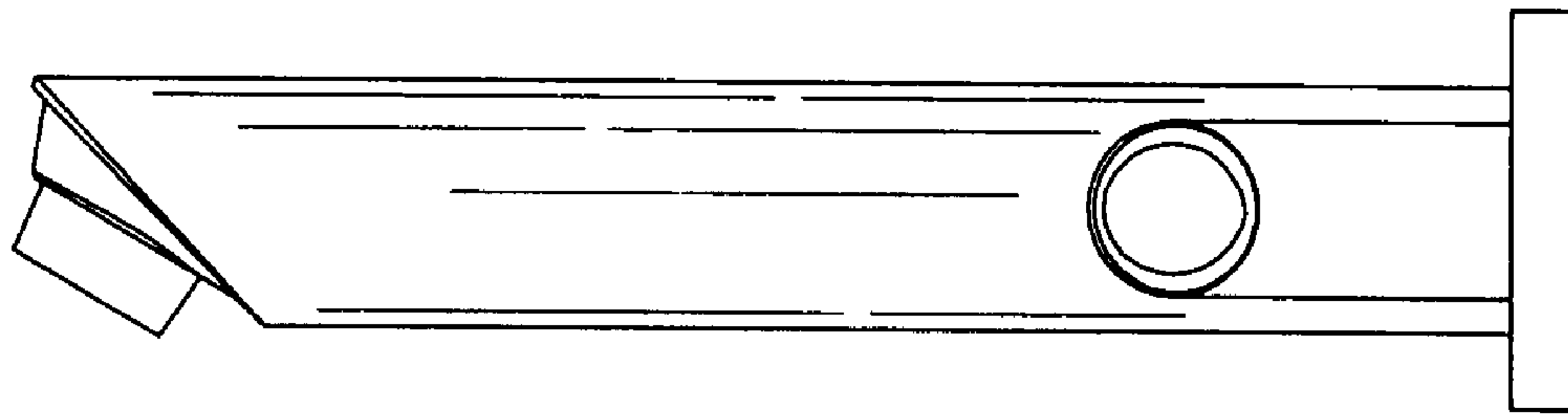
**1 Claim, 14 Drawing Sheets**

*Assistant Examiner*—Mark Cavanna

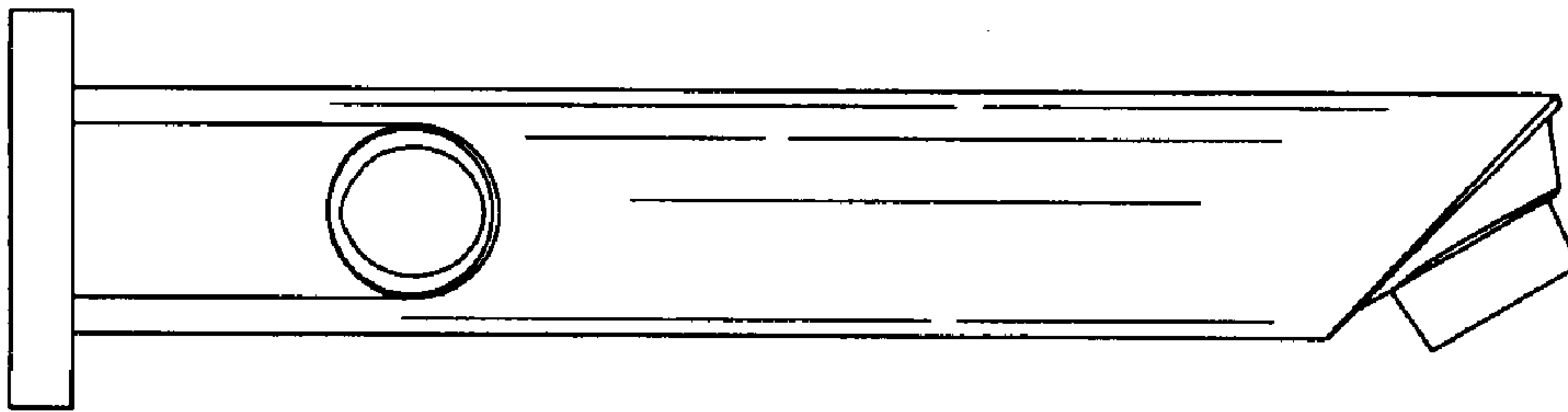




**FIG. 1**



**FIG. 2**



**FIG. 3**

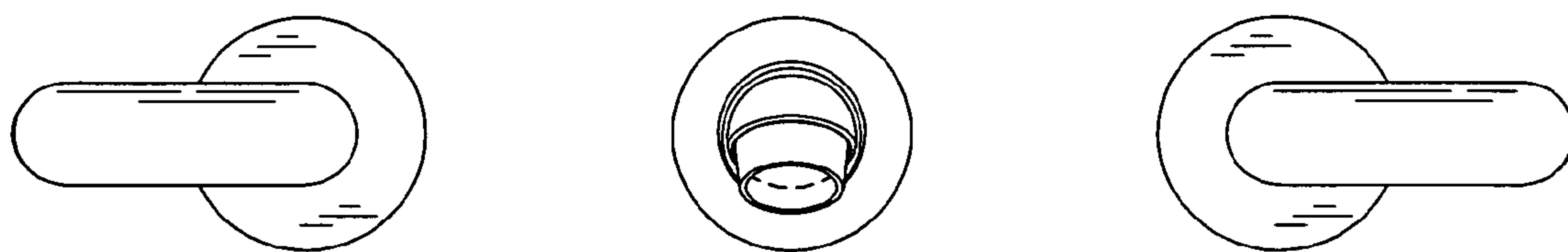


FIG. 4

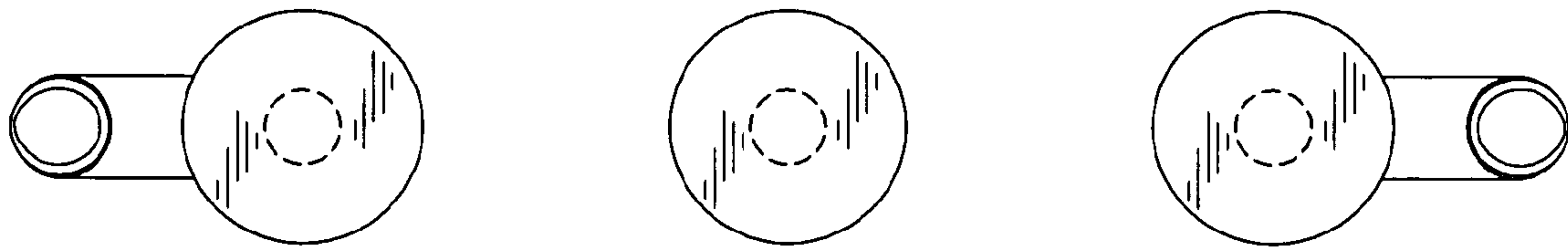


FIG. 5

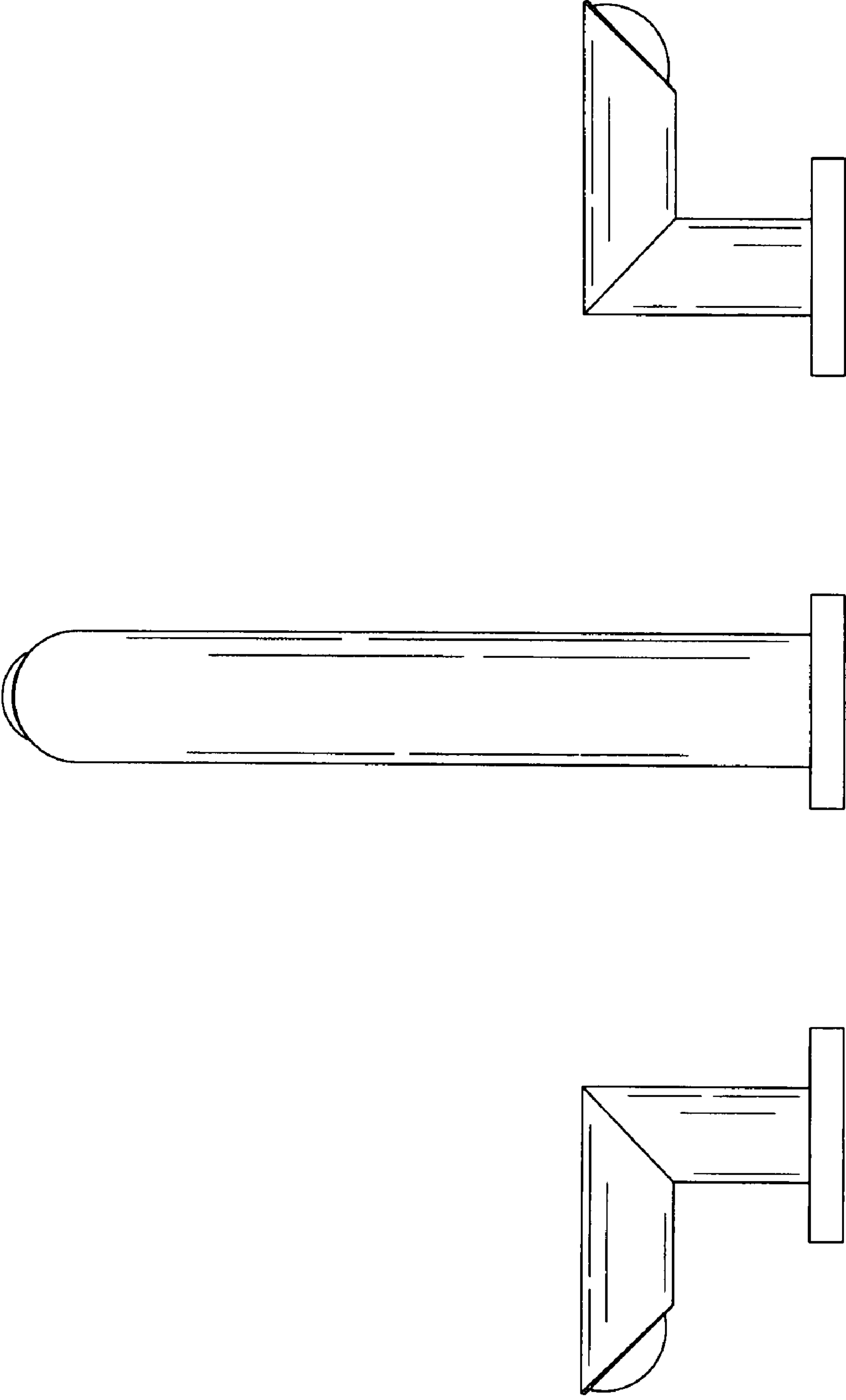


FIG. 6

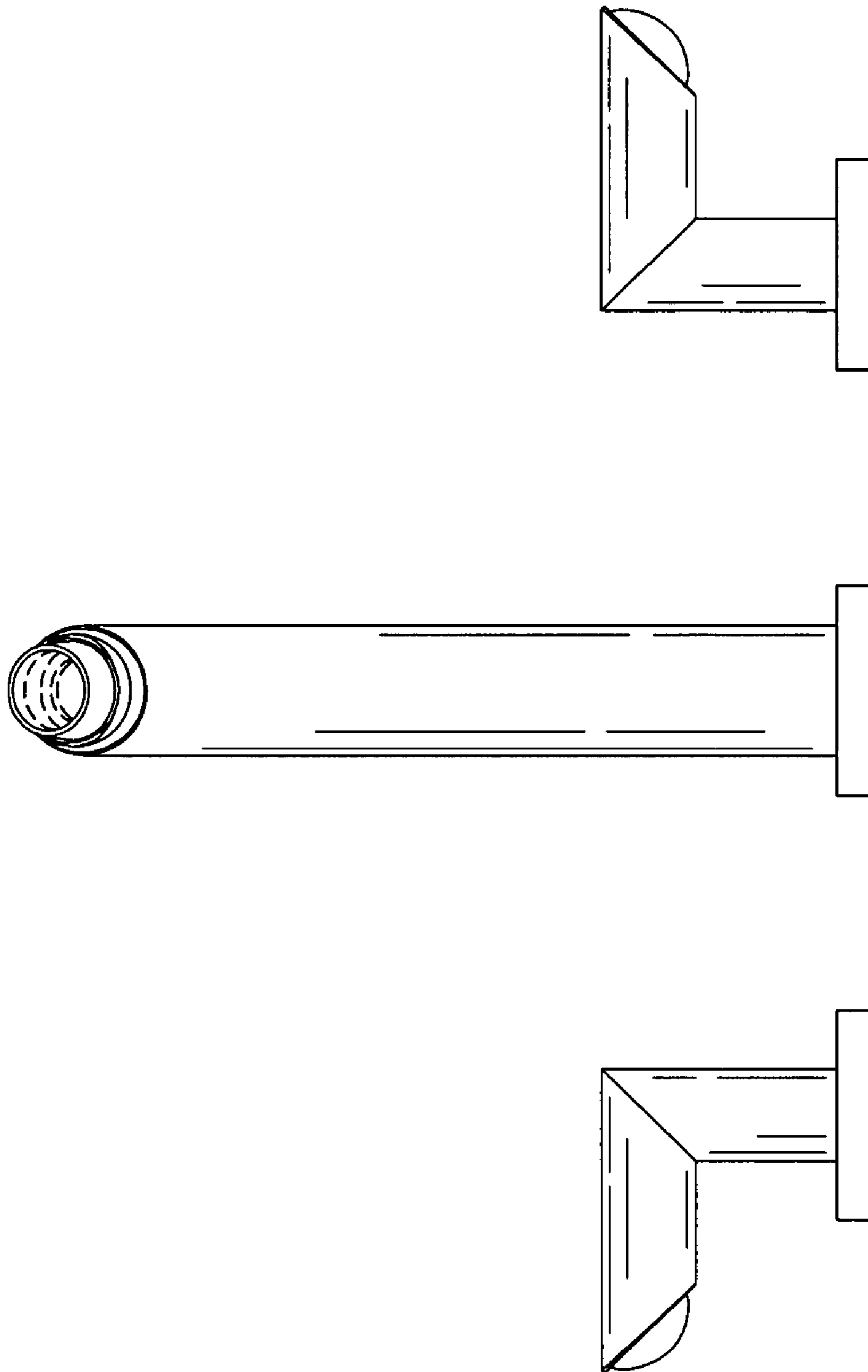
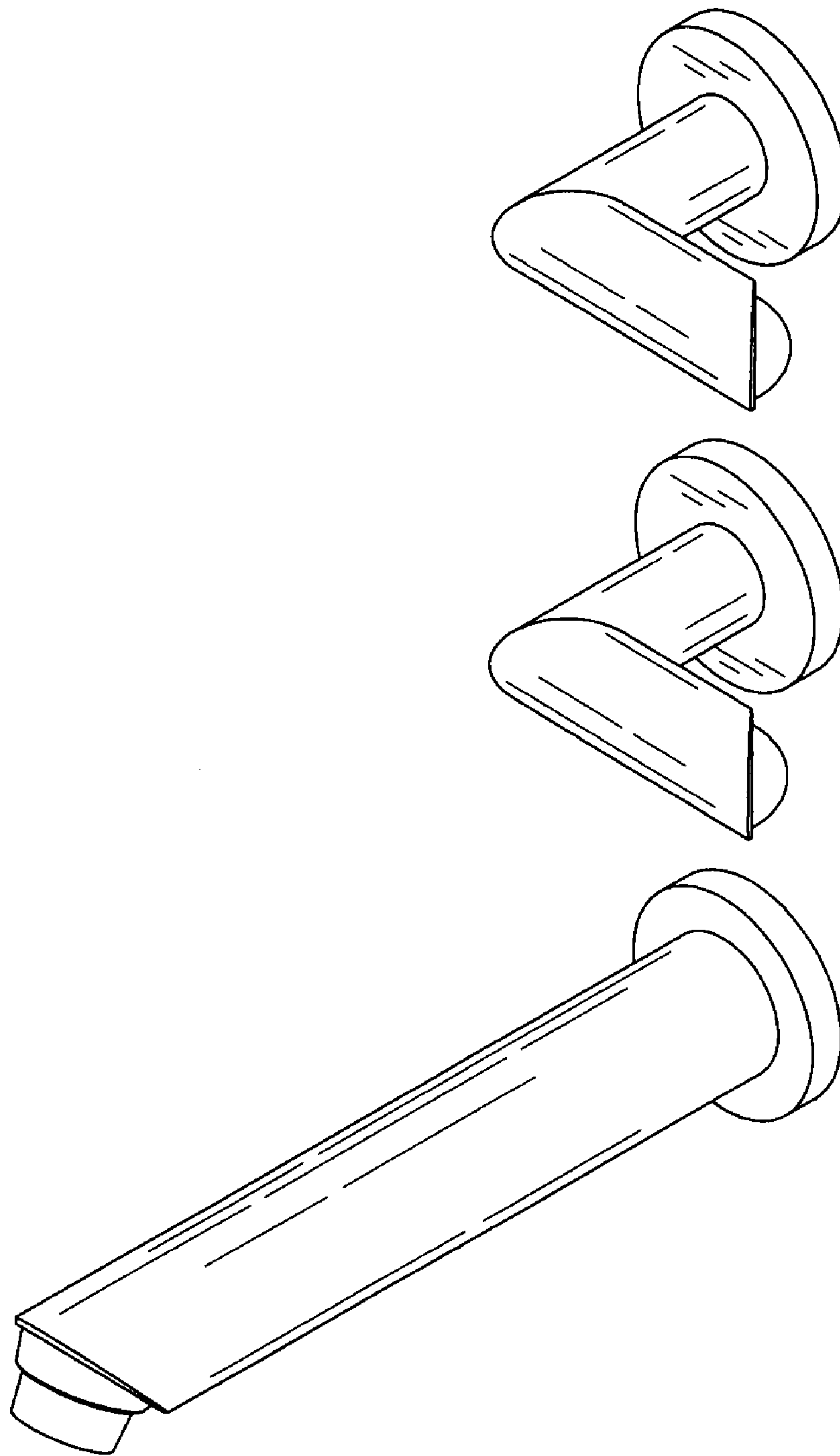
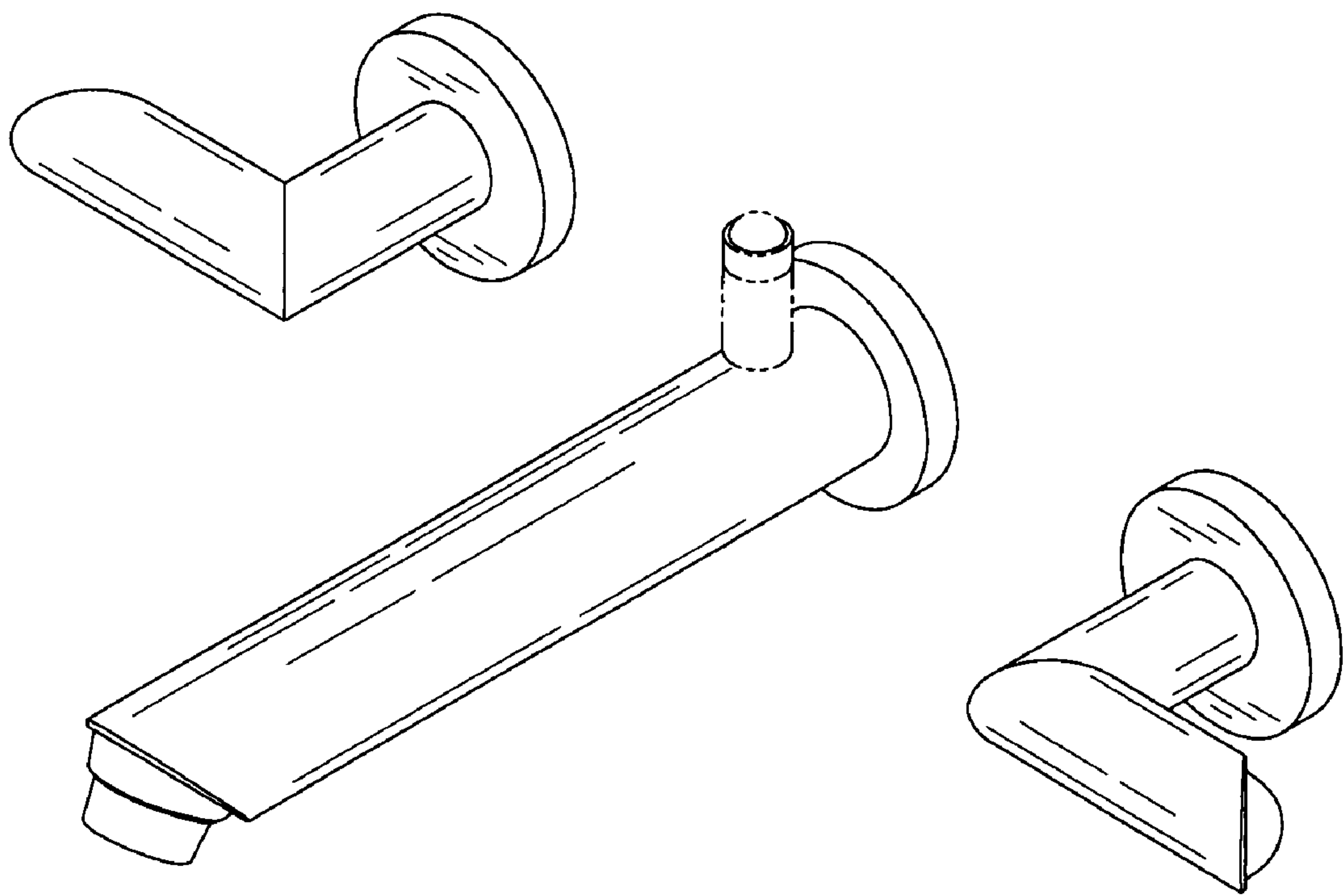


FIG. 7

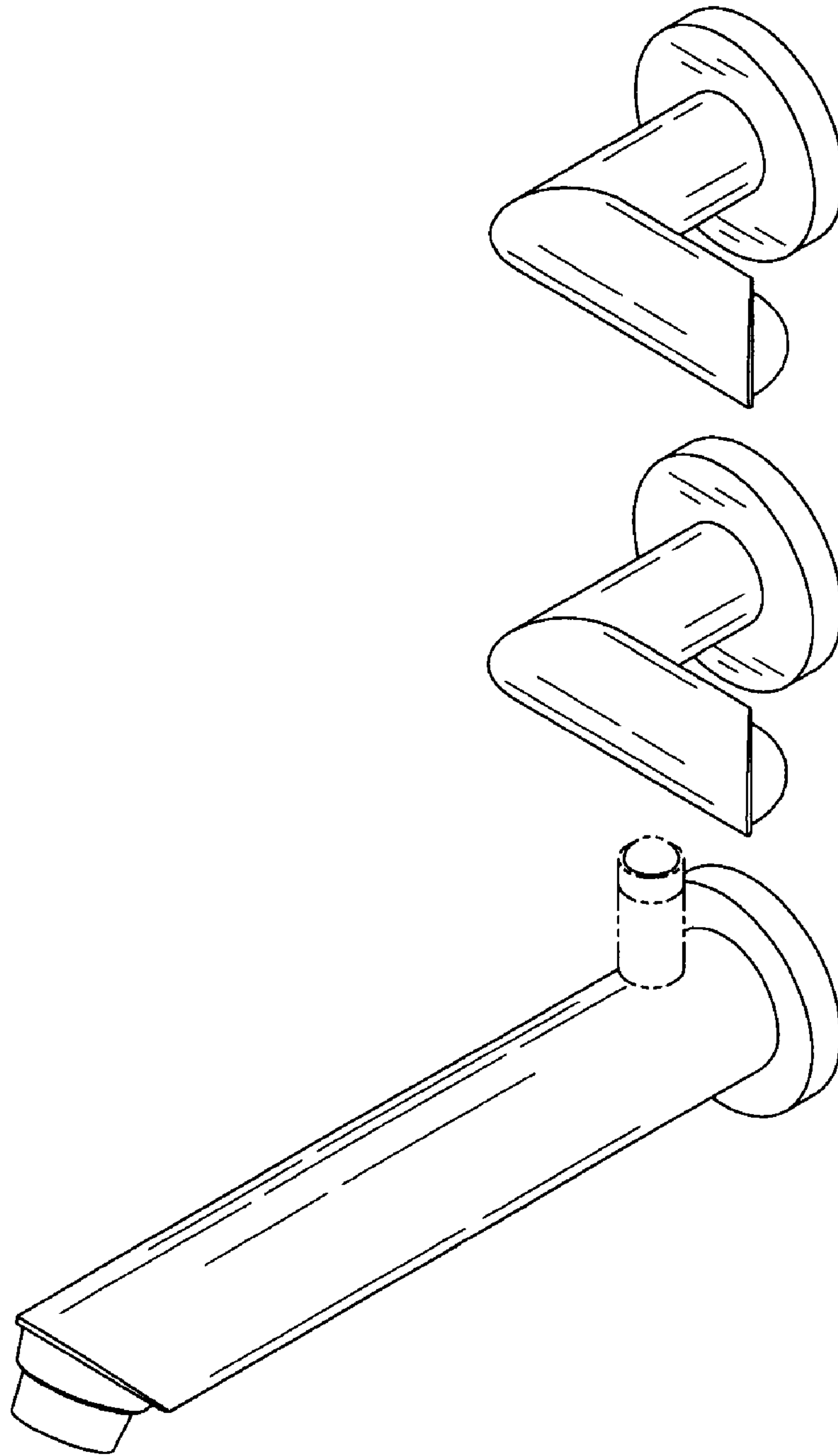




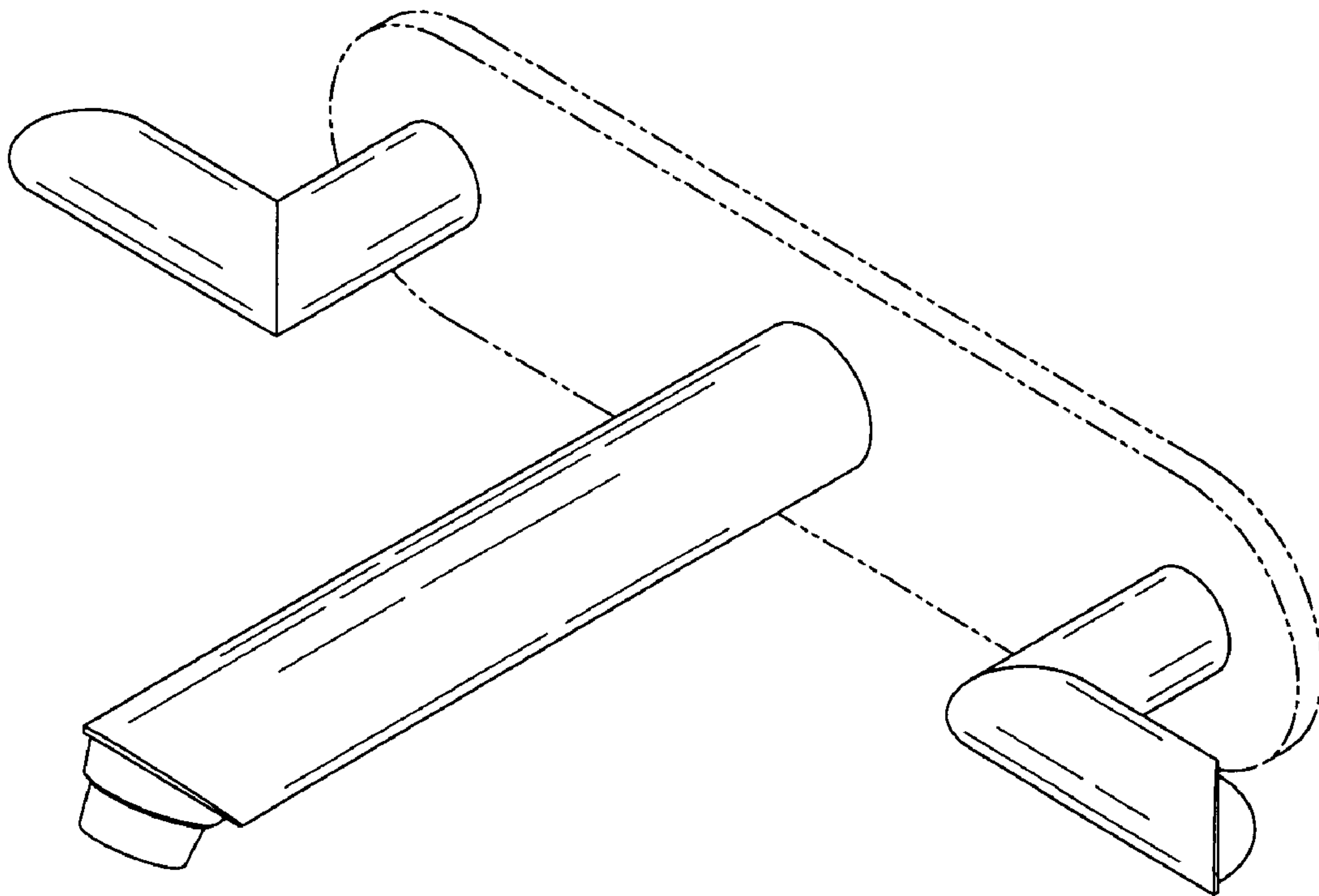
**FIG. 8**



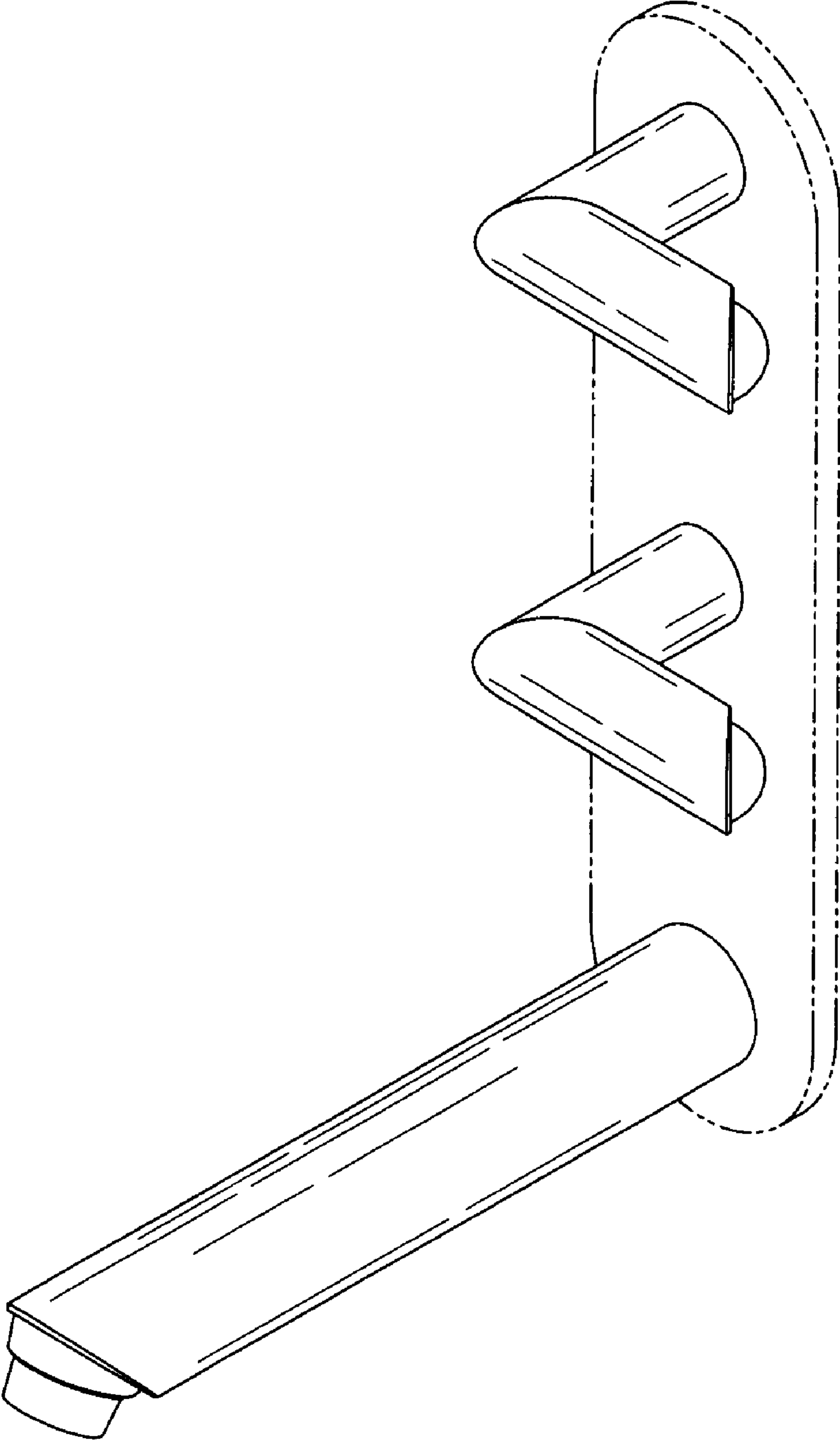
**FIG. 9**



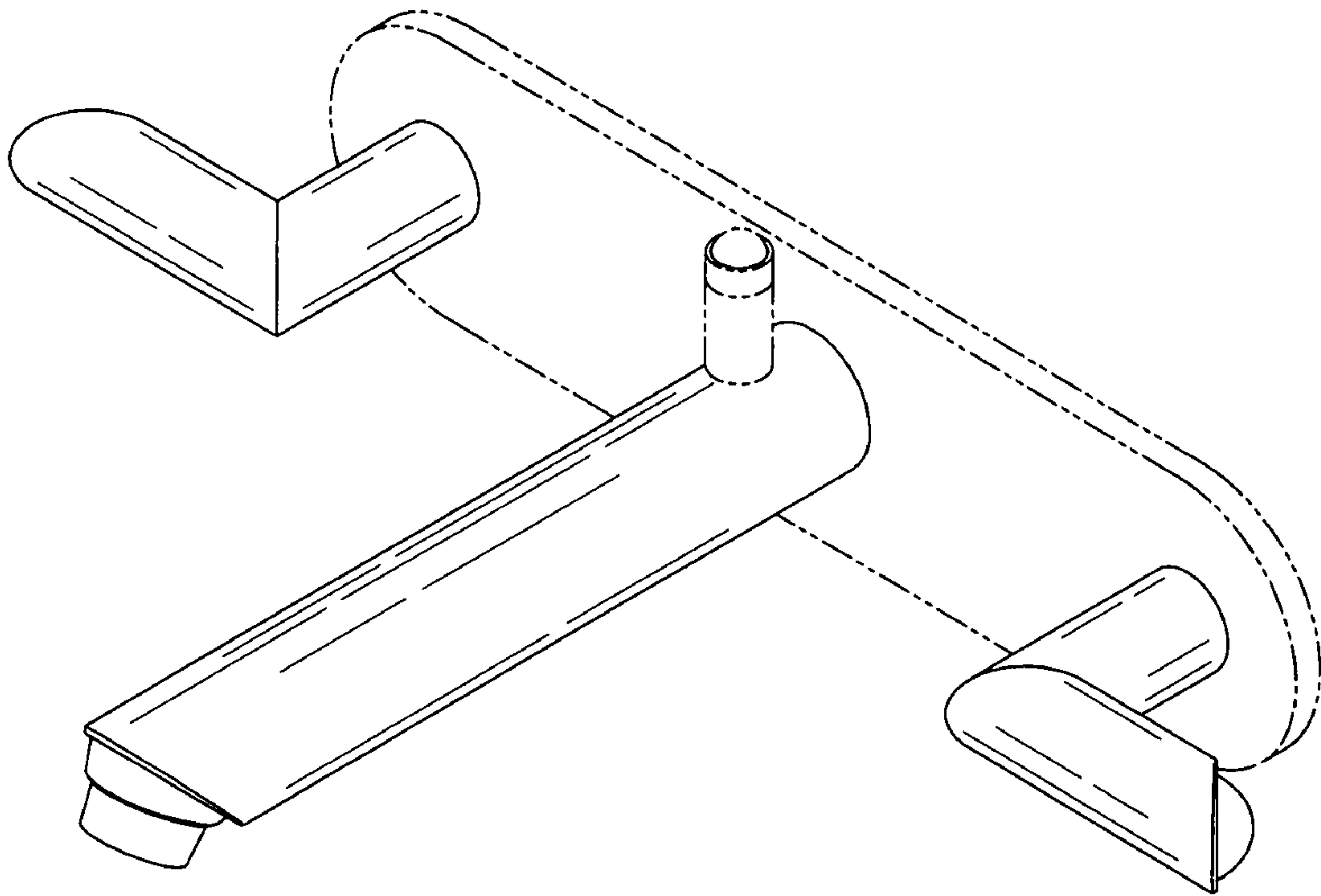
**FIG. 10**



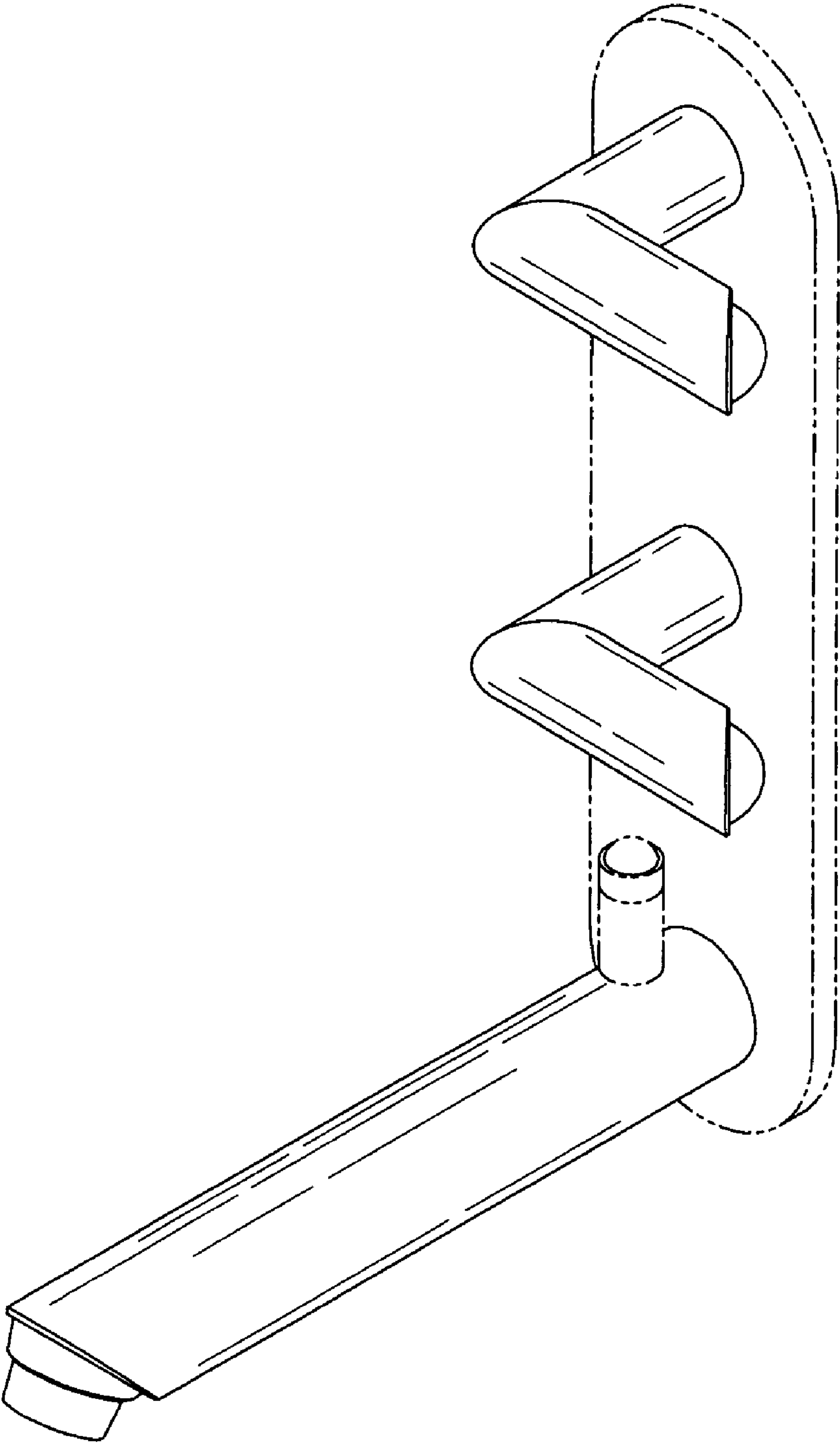
**FIG. 11**



**FIG. 12**



**FIG. 13**



**FIG. 14**