



US00D585524S

(12) **United States Design Patent**  
**Schoenherr et al.**

(10) **Patent No.:** **US D585,524 S**  
(45) **Date of Patent:** **\*\* Jan. 27, 2009**

(54) **FAUCET**

D380,811 S \* 7/1997 Gottwald ..... D23/243  
D403,745 S \* 1/1999 Lobermeier ..... D23/238

(75) Inventors: **Tom Schoenherr**, Stuttgart (DE);  
**Fabian Kollmann**, Stuttgart (DE)

\* cited by examiner

(73) Assignee: **Hansgrohe AG**, Schiltach (DE)

*Primary Examiner*—Robert A Delehanty

(\*\*) Term: **14 Years**

(74) *Attorney, Agent, or Firm*—Leon E. Redman

(21) Appl. No.: **29/322,604**

(57) **CLAIM**

(22) Filed: **Aug. 7, 2008**

The ornamental design for a faucet, as shown and described.

(30) **Foreign Application Priority Data**

**DESCRIPTION**

Feb. 11, 2008 (EM) ..... 000875992-0001

FIG. 1 is a front perspective view of a faucet showing our design;

(51) **LOC (9) Cl.** ..... **23-01**

FIG. 2 is a front elevational view thereof;

(52) **U.S. Cl.** ..... **D23/238**

FIG. 3 is a rear elevational view thereof;

(58) **Field of Classification Search** ..... D23/238–243,  
D23/255–257; 4/675–678; 137/801; D8/300,  
D8/307–308, 321; 16/110.1

FIG. 4 is a left side elevational view thereof; the right side elevational view being a mirror image thereof; and,

See application file for complete search history.

FIG. 5 is a top plan view thereof.

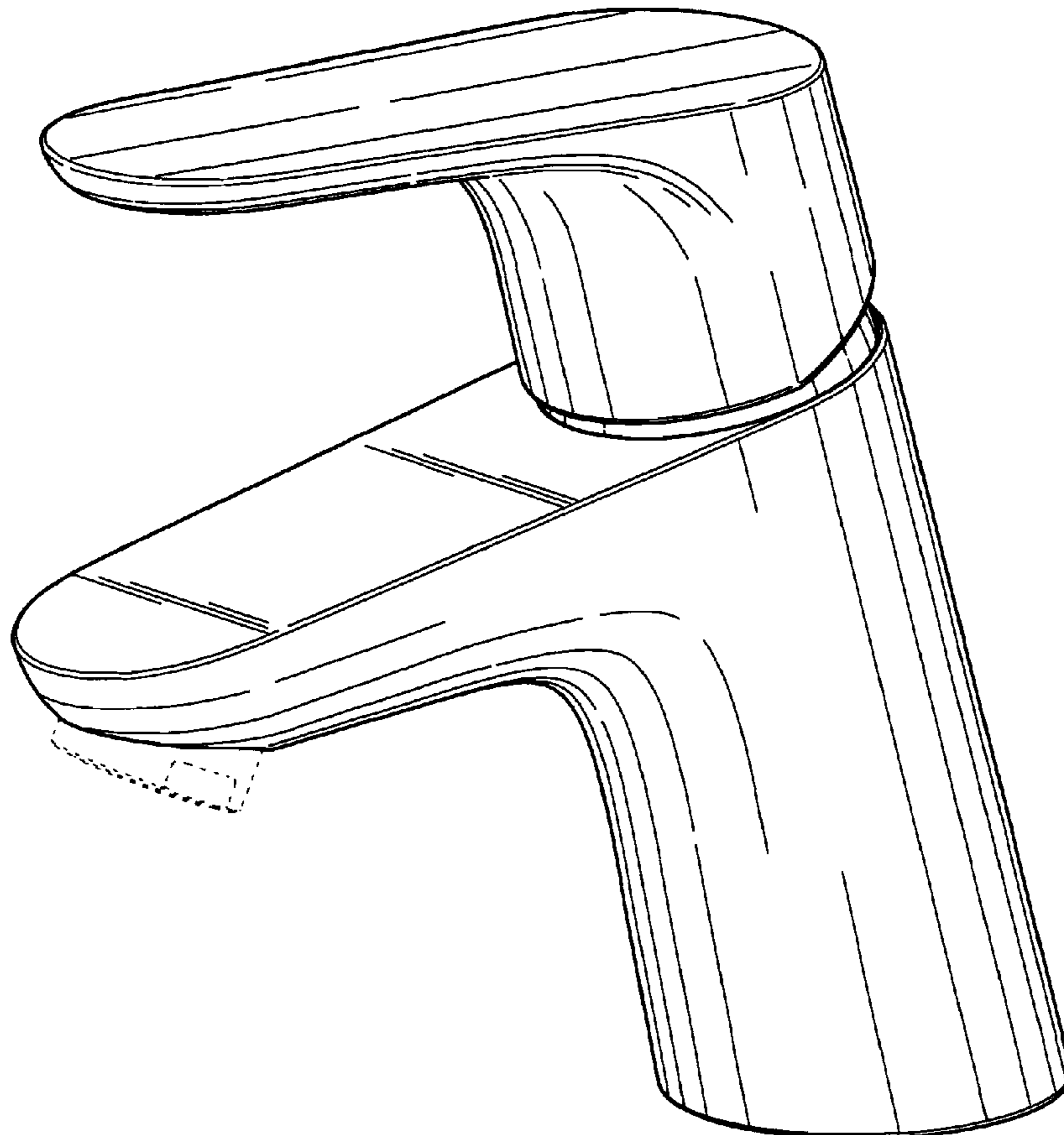
(56) **References Cited**

The features shown in broken lines depict environmental subject matter only and form no part of the claimed design.

**U.S. PATENT DOCUMENTS**

D348,307 S \* 6/1994 Gottwald ..... D23/252

**1 Claim, 5 Drawing Sheets**



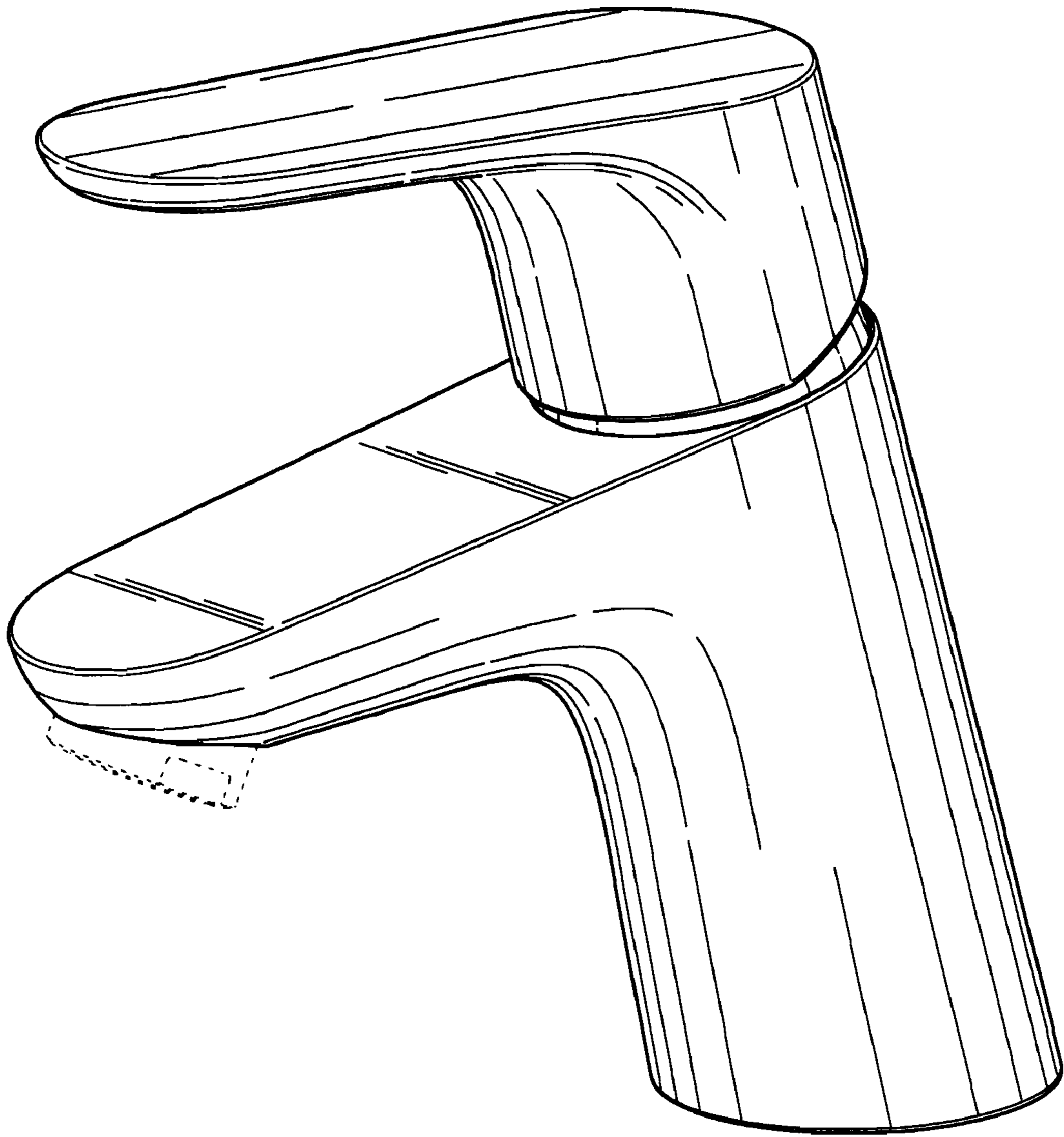


FIG. 1

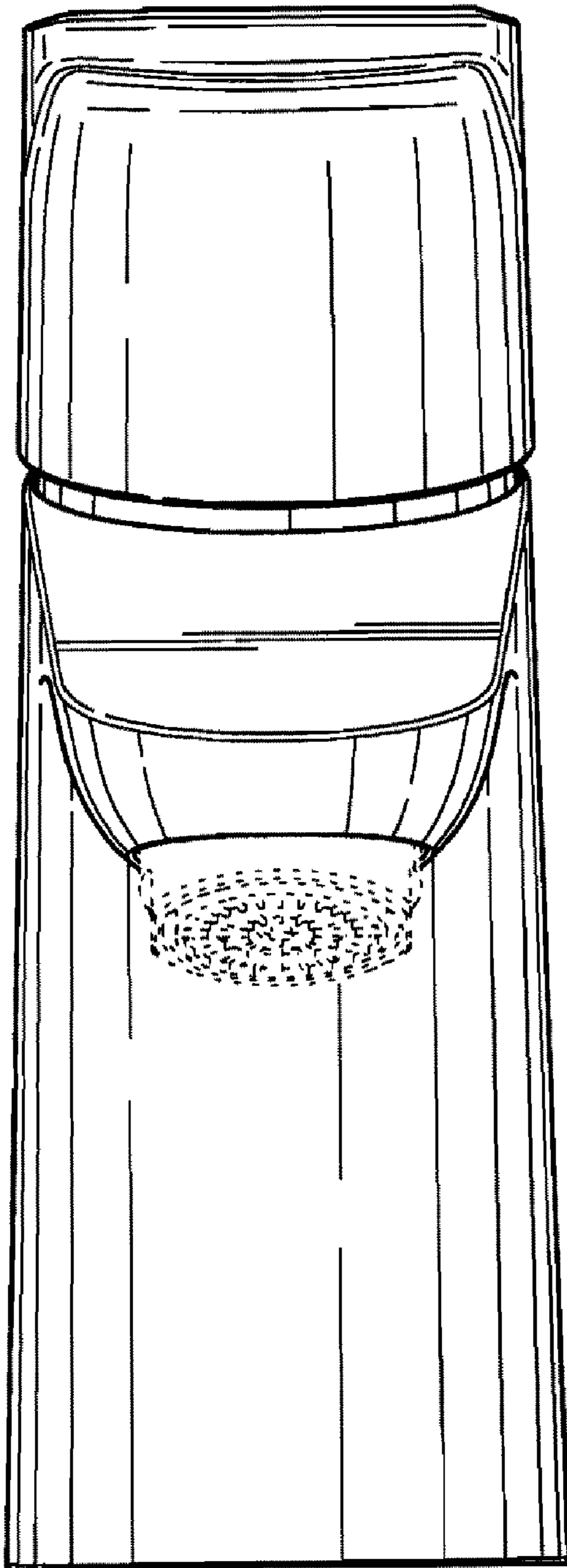


FIG. 2

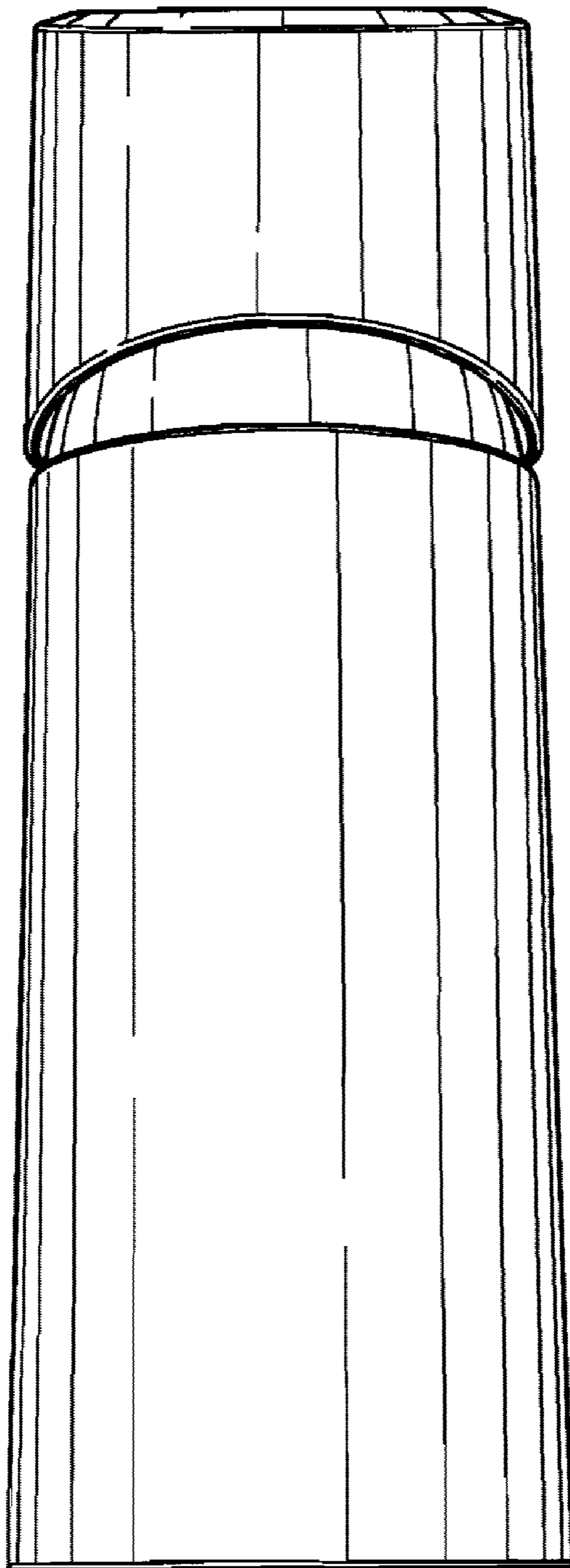


FIG. 3

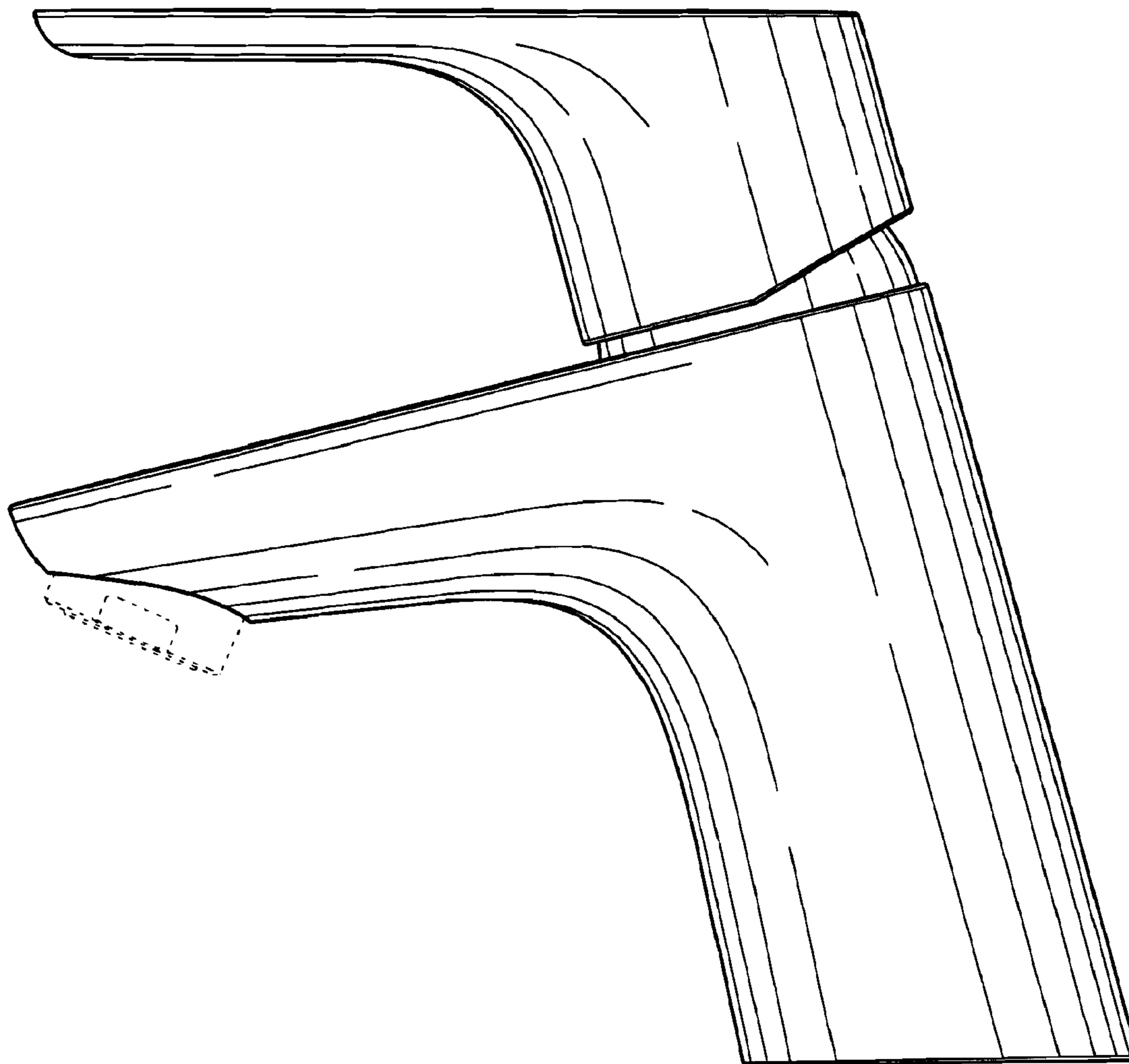


FIG. 4

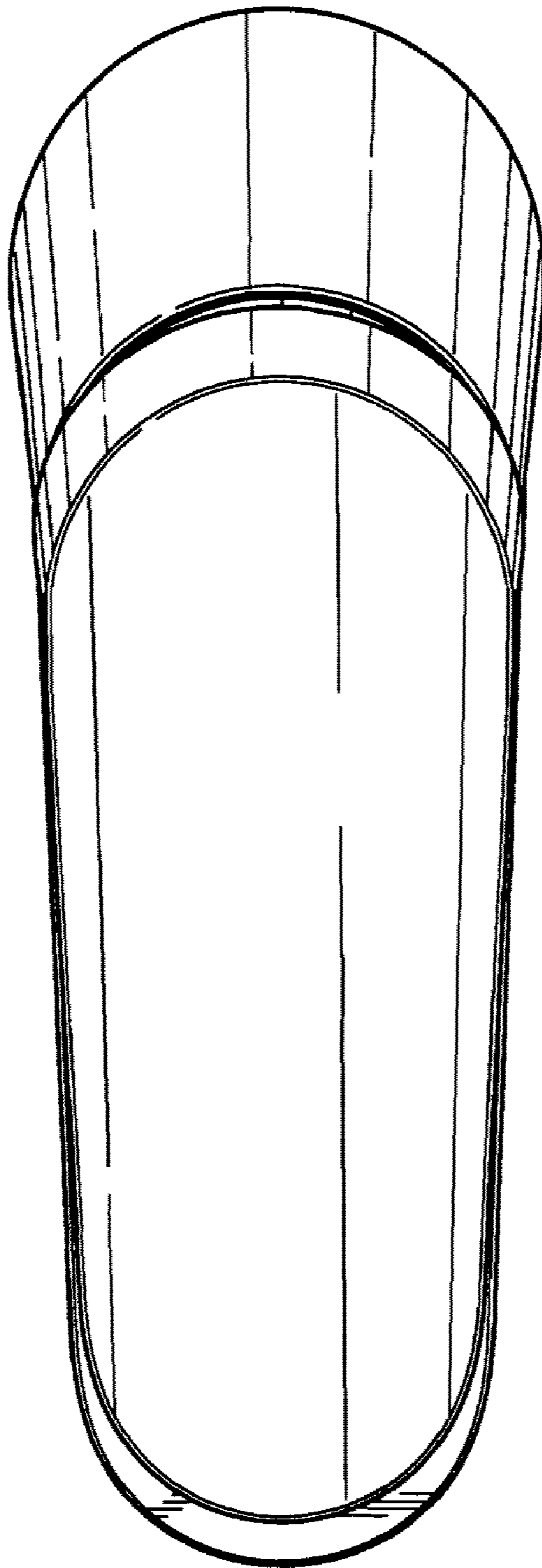


FIG. 5