



US00D585523S

(12) **United States Design Patent**
Lin

(10) **Patent No.:** **US D585,523 S**
(45) **Date of Patent:** **** Jan. 27, 2009**

(54) **FAUCET**

D533,921 S * 12/2006 Kemp D23/242
D556,864 S * 12/2007 Zhao D23/242

(76) Inventor: **Wen-Tsung Lin**, No. 13, Guogoa Lane,
Tsailiao Village, Dacheng Township,
Changhua County, 527 (TW)

* cited by examiner

Primary Examiner—Robert A. Delehanty

Assistant Examiner—Mark Cavanna

(74) *Attorney, Agent, or Firm*—Alan Kamrath; Kamrath &
Associates PA

(**) Term: **14 Years**

(21) Appl. No.: **29/281,622**

(22) Filed: **Jun. 27, 2007**

(57) **CLAIM**

The ornamental design for a faucet, as shown and described.

(51) **LOC (9) Cl.** **23-01**

(52) **U.S. Cl.** **D23/238**

(58) **Field of Classification Search** D23/200,
D23/238–257; D6/512, 546, 550; D8/300,
D8/307–308, 310–312, 321; 4/675–678;
137/801; 16/110.1, 441

DESCRIPTION

FIG. 1 is a perspective view of a faucet showing my design;
FIG. 2 is a front elevational view thereof;
FIG. 3 is a rear elevational view thereof;
FIG. 4 is a left side elevational view thereof;
FIG. 5 is a right side elevational view thereof; and,
FIG. 6 is a top plan view thereof.

See application file for complete search history.

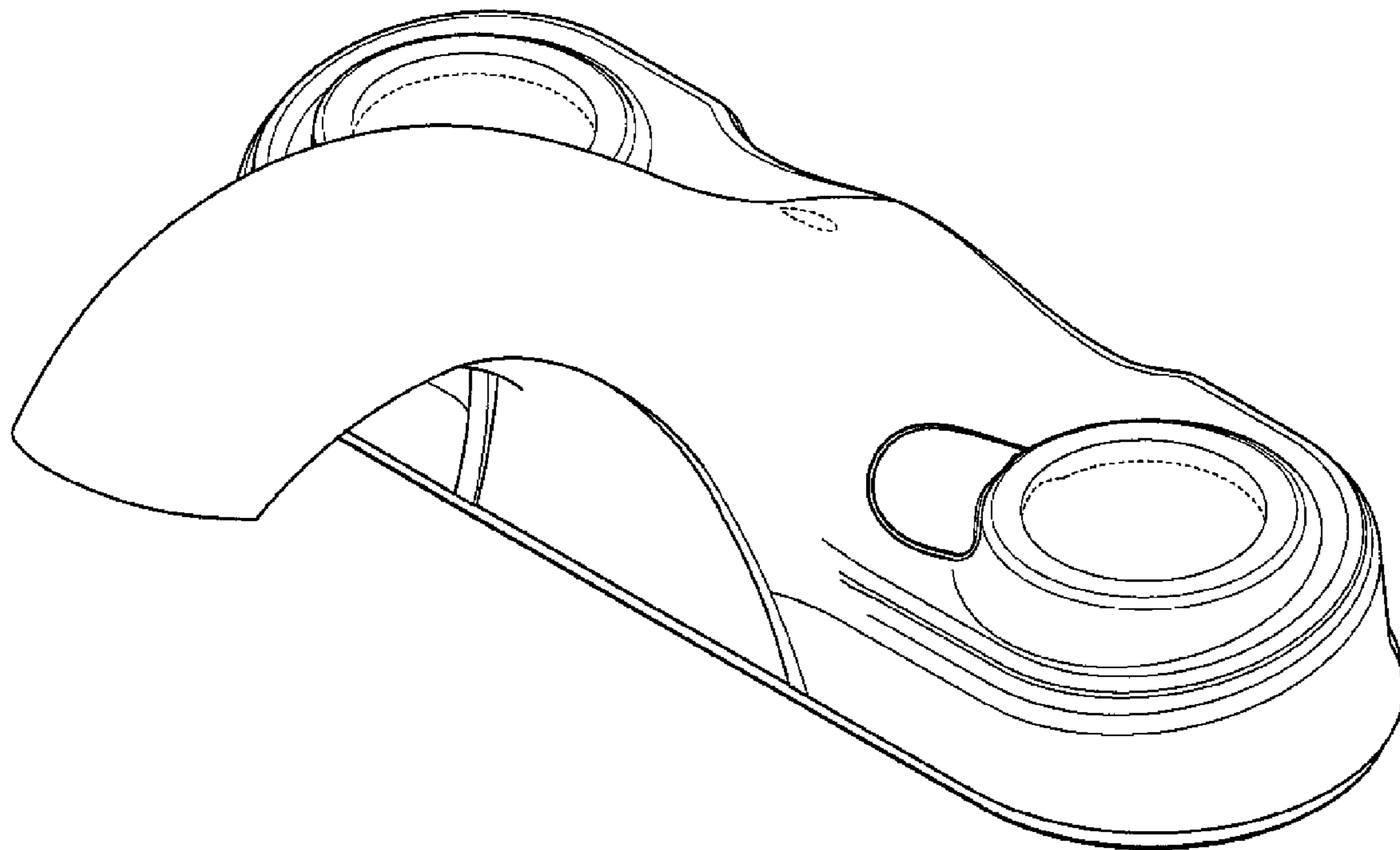
The broken lines shown are included for the purpose of illustrating portions of the faucet that forms no part of the claimed design.

(56) **References Cited**

U.S. PATENT DOCUMENTS

D360,680 S * 7/1995 Natalizia et al. D23/241
D435,636 S * 12/2000 Kolada D23/241
D448,452 S * 9/2001 Pitsch et al. D23/238
D478,372 S * 8/2003 Ouyoung D23/238
D525,345 S * 7/2006 Anderson D23/238

1 Claim, 4 Drawing Sheets



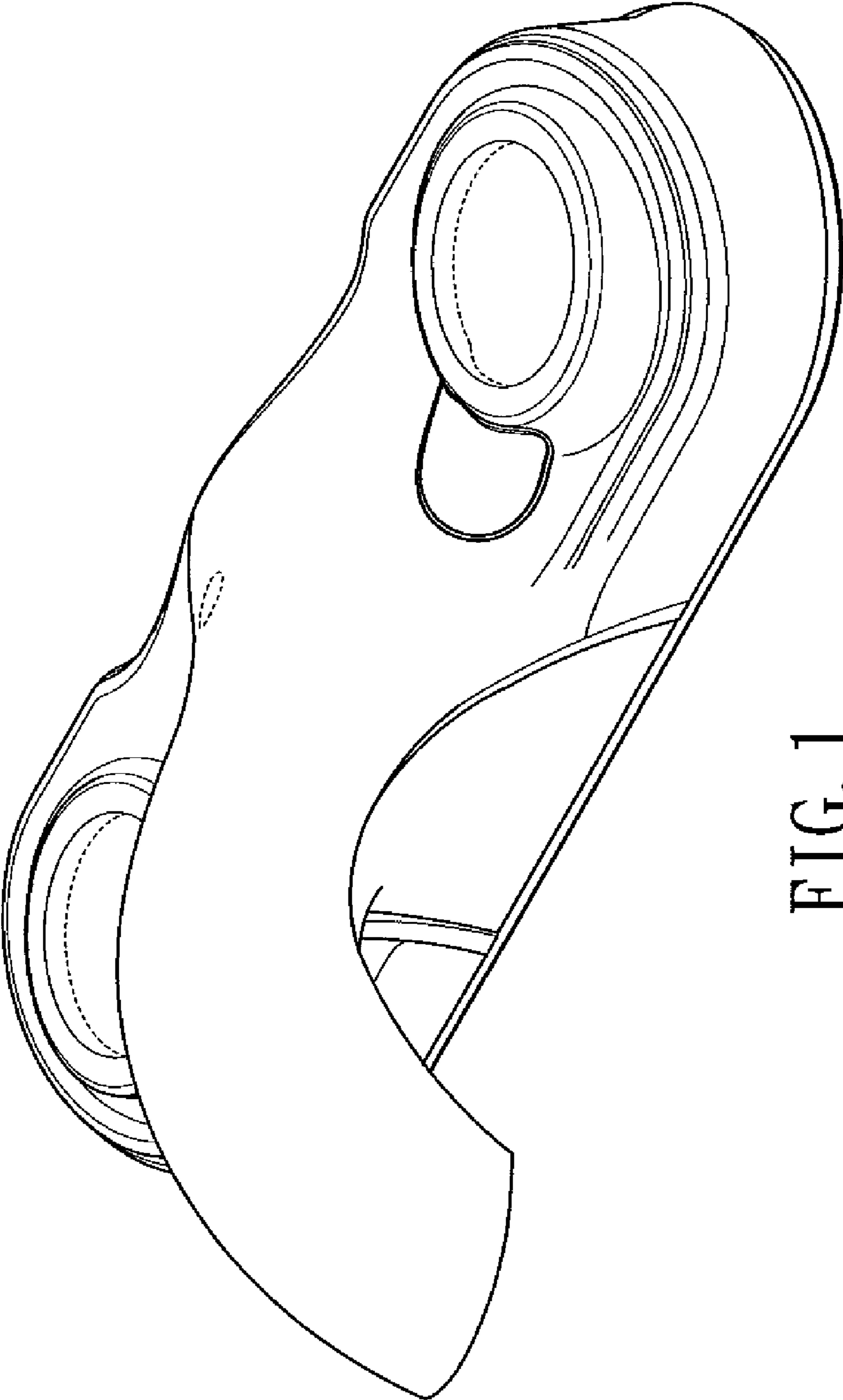


FIG. 1

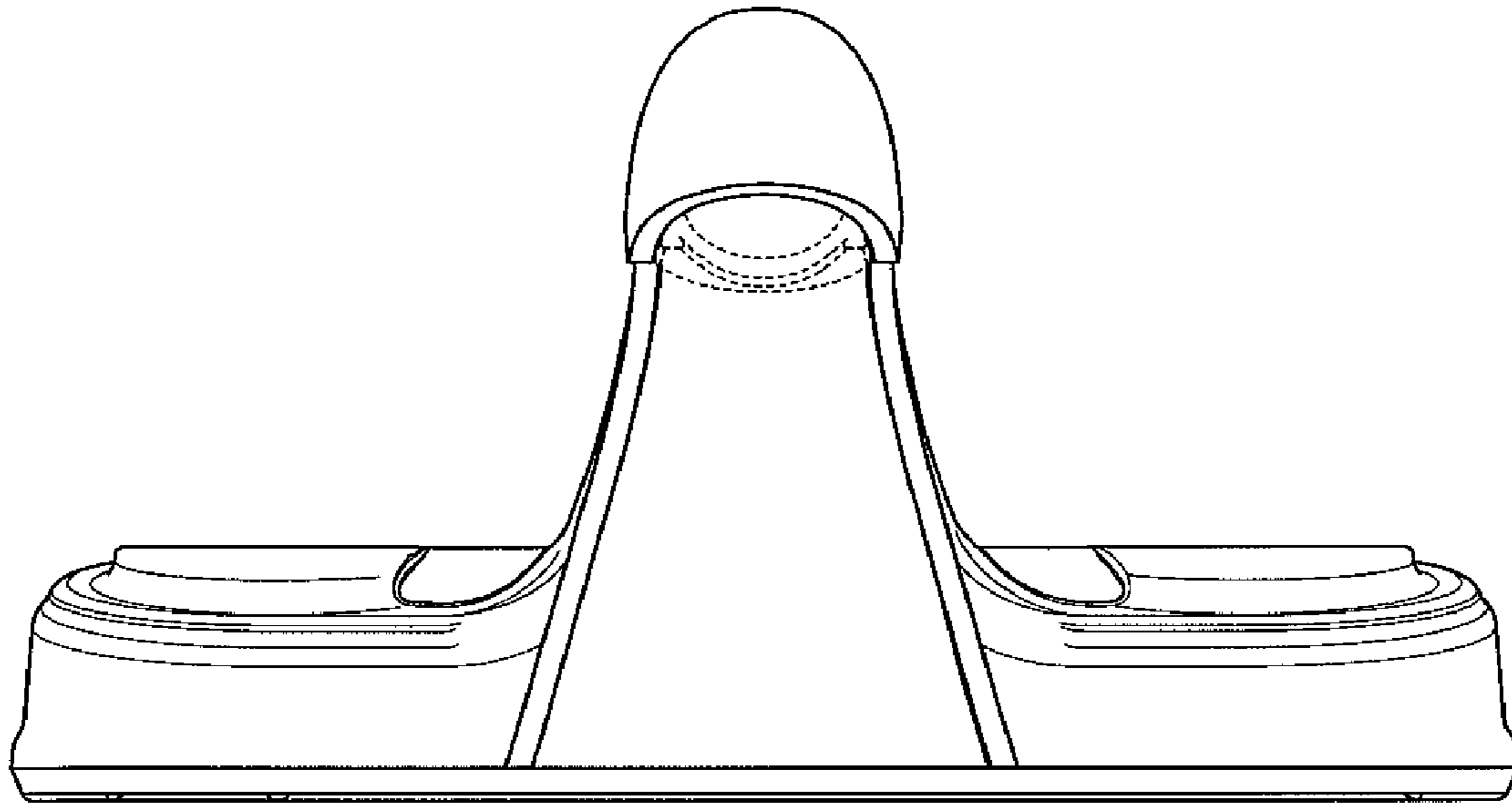


FIG. 2

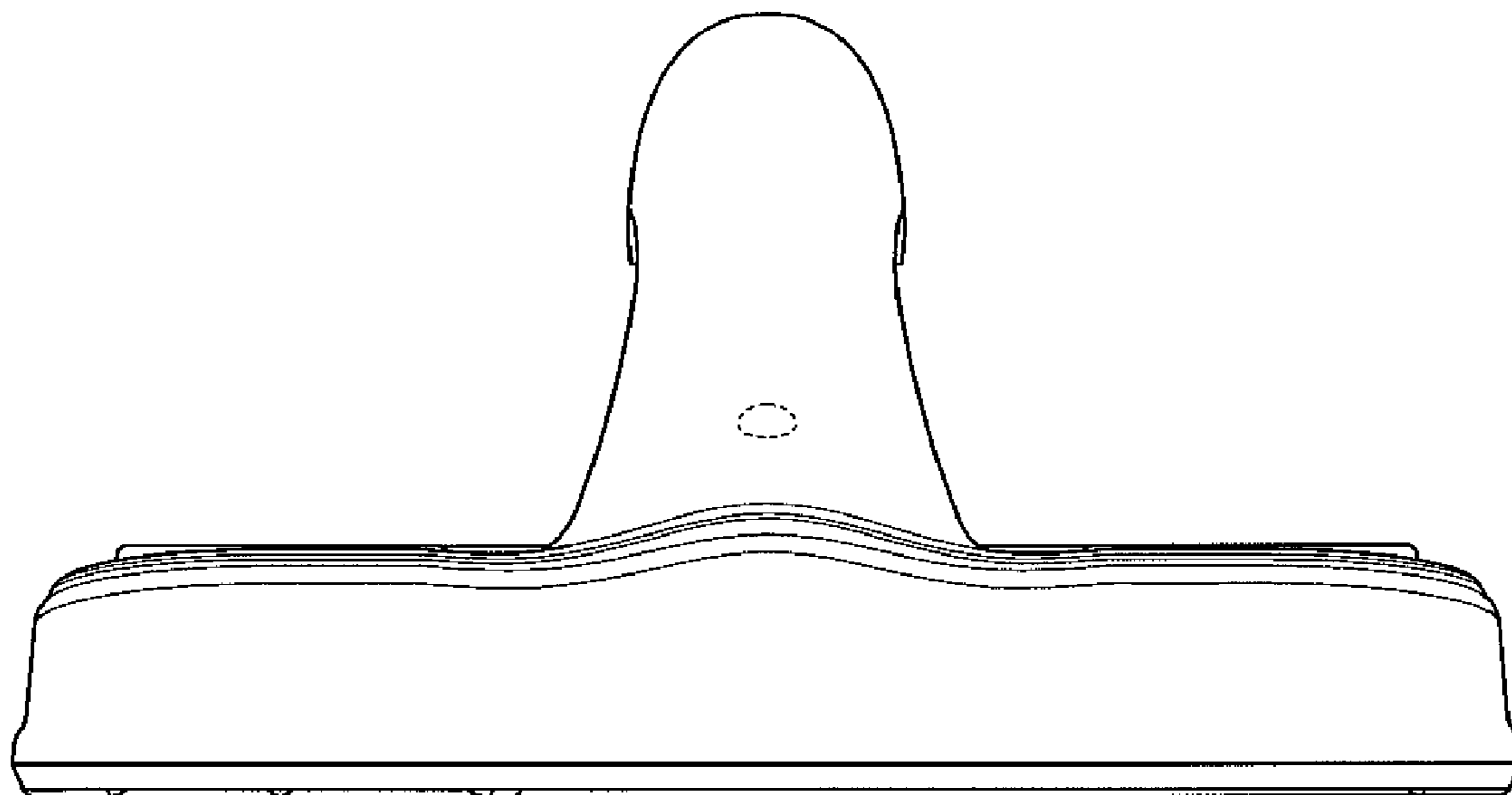


FIG. 3

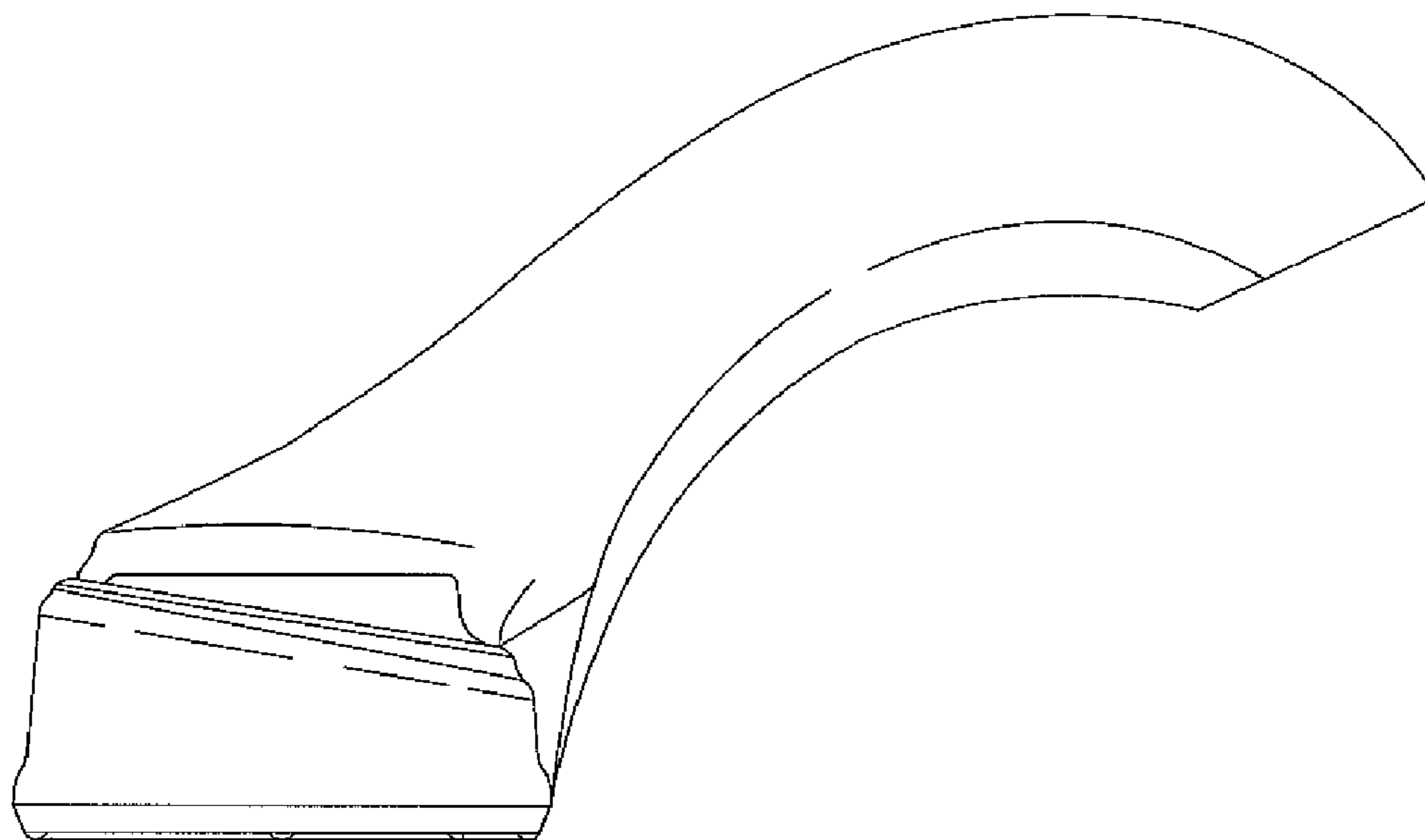


FIG. 4

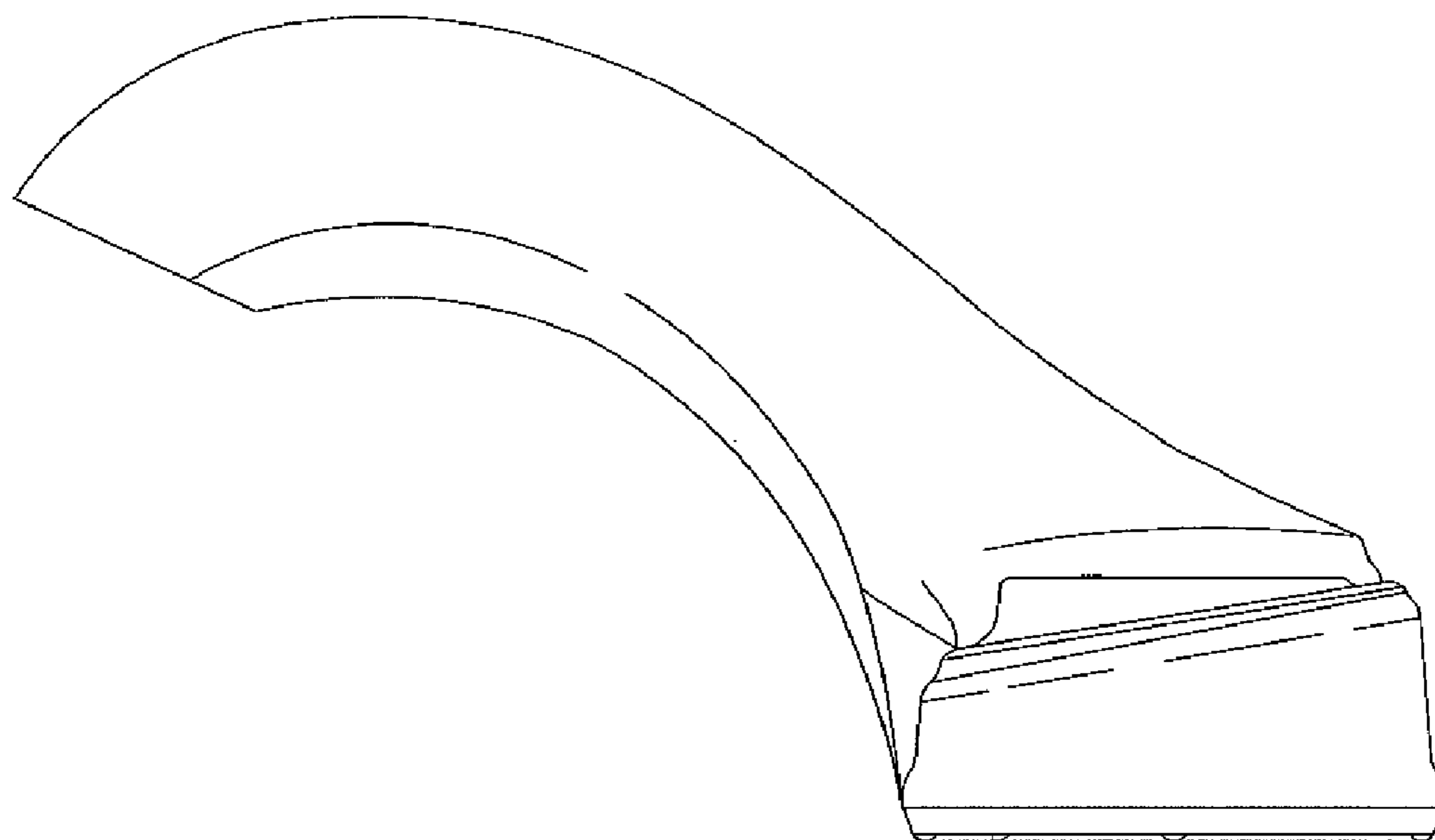


FIG. 5

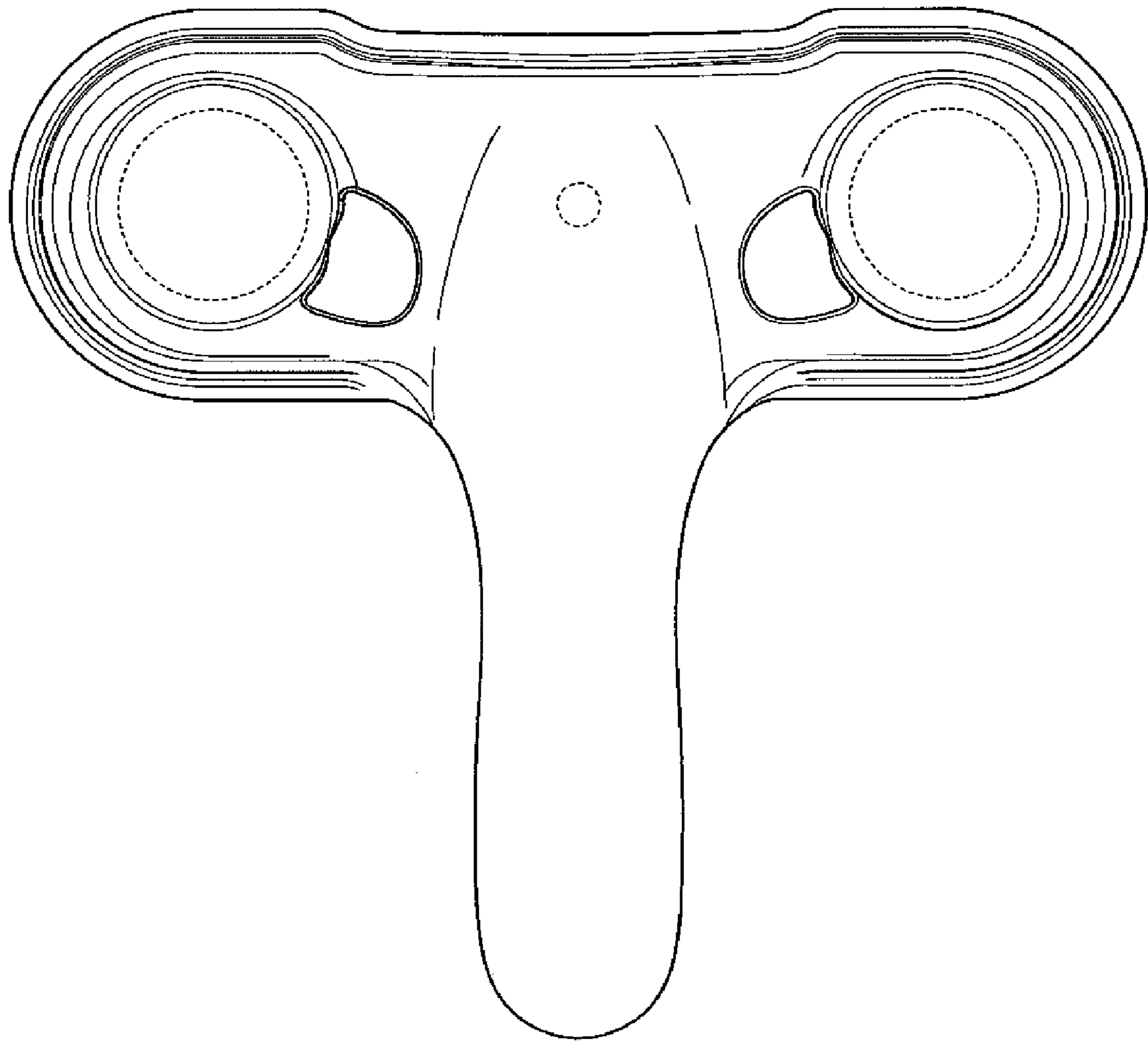


FIG. 6