



US00D585522S

(12) **United States Design Patent**
Geideman et al.

(10) **Patent No.:** **US D585,522 S**
(45) **Date of Patent:** **** Jan. 27, 2009**

(54) **VALVE HOUSING**

(75) Inventors: **Curt Matthew Geideman**, Strongsville, OH (US); **Todd C. Loschelder**, Macedonia, OH (US); **W. Randall Tucker**, Oberlin, OH (US)

(73) Assignee: **Moen Incorporated**, North Olmsted, OH (US)

(**) Term: **14 Years**

(21) Appl. No.: **29/272,021**

(22) Filed: **Jan. 31, 2007**

(51) **LOC (9) Cl.** **23-01**

(52) **U.S. Cl.** **D23/233**

(58) **Field of Classification Search** D23/233-250, D23/259; D8/300, 307, 310, 312, DIG. 2, D8/DIG. 3; 210/498, 499; 405/40-46; 137/140, 137/636.3, 636.2, 625.4, 625.41, 625.17
See application file for complete search history.

(56) **References Cited**

U.S. PATENT DOCUMENTS

D194,787 S *	3/1963	Chadwick	D13/179
D197,926 S *	4/1964	Stull	D9/446
3,369,566 A	2/1968	Schmitt et al.		
3,415,281 A	12/1968	Perlman		
3,435,849 A	4/1969	Von Corpon		
3,526,250 A	9/1970	Miller		
3,570,538 A	3/1971	Von Corpon		
3,623,510 A	11/1971	Hare et al.		
D223,798 S *	6/1972	Jensen et al.	D8/312
3,680,592 A	8/1972	Hayman		
3,794,074 A	2/1974	Watts		
3,809,124 A	5/1974	Nelson		
3,882,897 A	5/1975	Manoogian et al.		
3,965,935 A	6/1976	Morisseau		
4,043,359 A	8/1977	Christo		
4,325,403 A	4/1982	Uhlmann		
4,838,304 A	6/1989	Knapp		

(Continued)

Primary Examiner—Ian Simmons

Assistant Examiner—Maurice Stevens

(74) *Attorney, Agent, or Firm*—Calfee, Halter & Griswold LLP

(57) **CLAIM**

The ornamental design for a valve housing, as shown and described.

DESCRIPTION

FIG. 1 is a perspective view of an embodiment of a valve housing of the new design;

FIG. 2 is a front elevational view of the valve housing of FIG. 1;

FIG. 3 is a rear elevational view of the valve housing of FIG. 1;

FIG. 4 is a left side elevational view of the valve housing of FIG. 1;

FIG. 5 is a right side elevational view of the valve housing of FIG. 1;

FIG. 6 is a top plan view of the valve housing of FIG. 1;

FIG. 7 is a perspective view of another embodiment of a valve housing of the new design;

FIG. 8 is a front elevational view of the valve housing of FIG. 7;

FIG. 9 is a rear elevational view of the valve housing of FIG. 7;

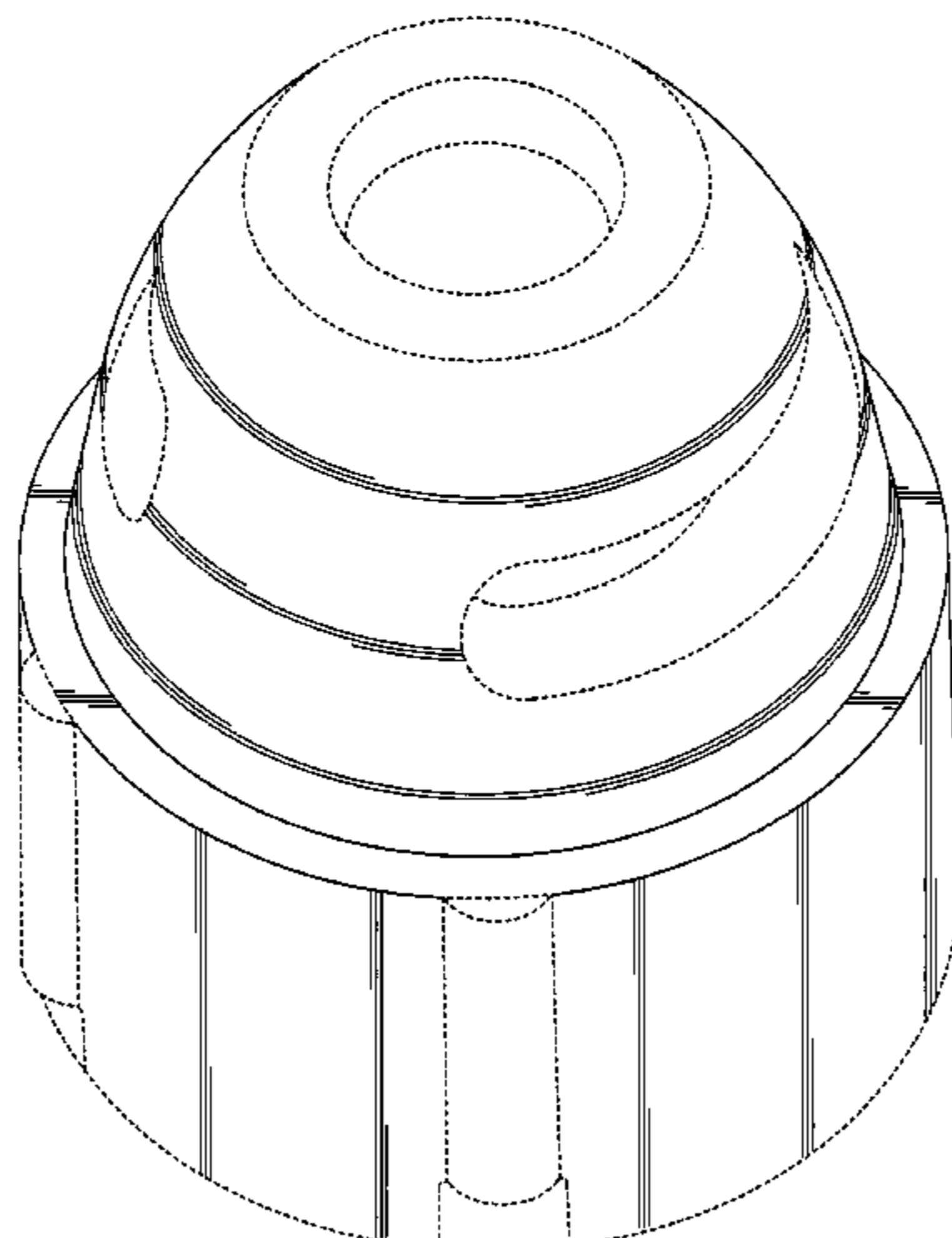
FIG. 10 is a left side elevational view of the valve housing of FIG. 7;

FIG. 11 is a right side elevational view of the valve housing of FIG. 7; and,

FIG. 12 is a top plan view of the valve housing of FIG. 7.

The portions of the Figures shown in broken lines are not part of the claimed design and are for illustration only.

1 Claim, 8 Drawing Sheets



US D585,522 S

Page 2

U.S. PATENT DOCUMENTS

5,018,553	A	5/1991	Grassberger et al.	D442,267	S	*	5/2001	Kouda	D23/262
5,040,566	A	8/1991	Orlandi	6,321,789	B1	*	11/2001	Chen	137/625.17
5,095,934	A	3/1992	Iqbal	6,644,619	B2	*	11/2003	Friesenhahn et al.	251/11
5,375,624	A	12/1994	Knapp	6,920,899	B2		7/2005	Haenlein et al.		
5,386,852	A	*	2/1995	Bosio		4/2006	Haenlein		
D385,336	S	*	10/1997	Kolada et al.		8/2006	Grether	D23/249
D409,287	S	*	5/1999	Hansen		9/2007	Bamberger et al.	D23/259
5,899,230	A	*	5/1999	Orlandi		8/2008	Roman	D23/259
5,967,184	A	*	10/1999	Chang		9/2008	Gilcher	D23/233
6,209,581	B1	*	4/2001	Gyozo		2006/0042704	A1	3/2006	Rosko

* cited by examiner

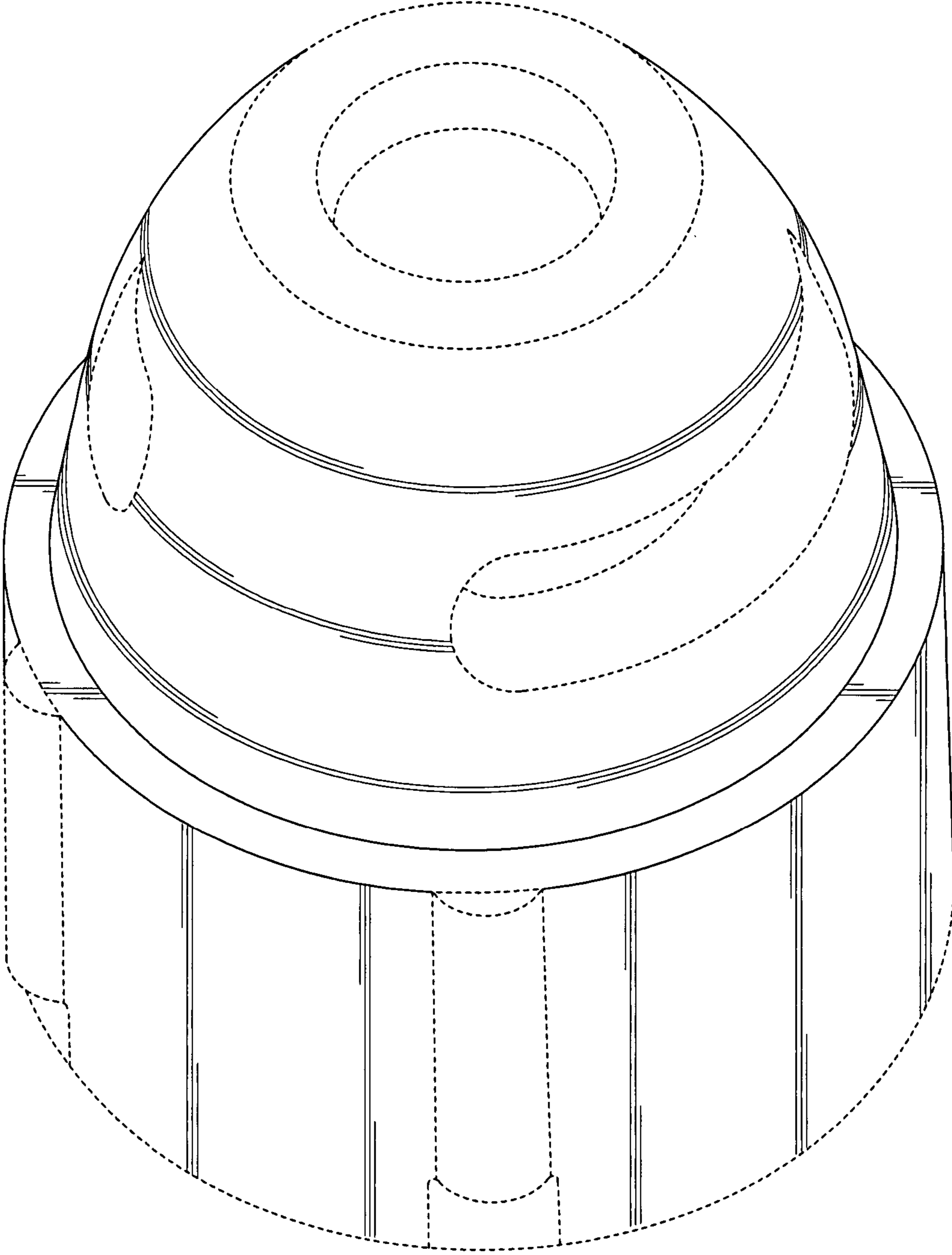


FIG. 1

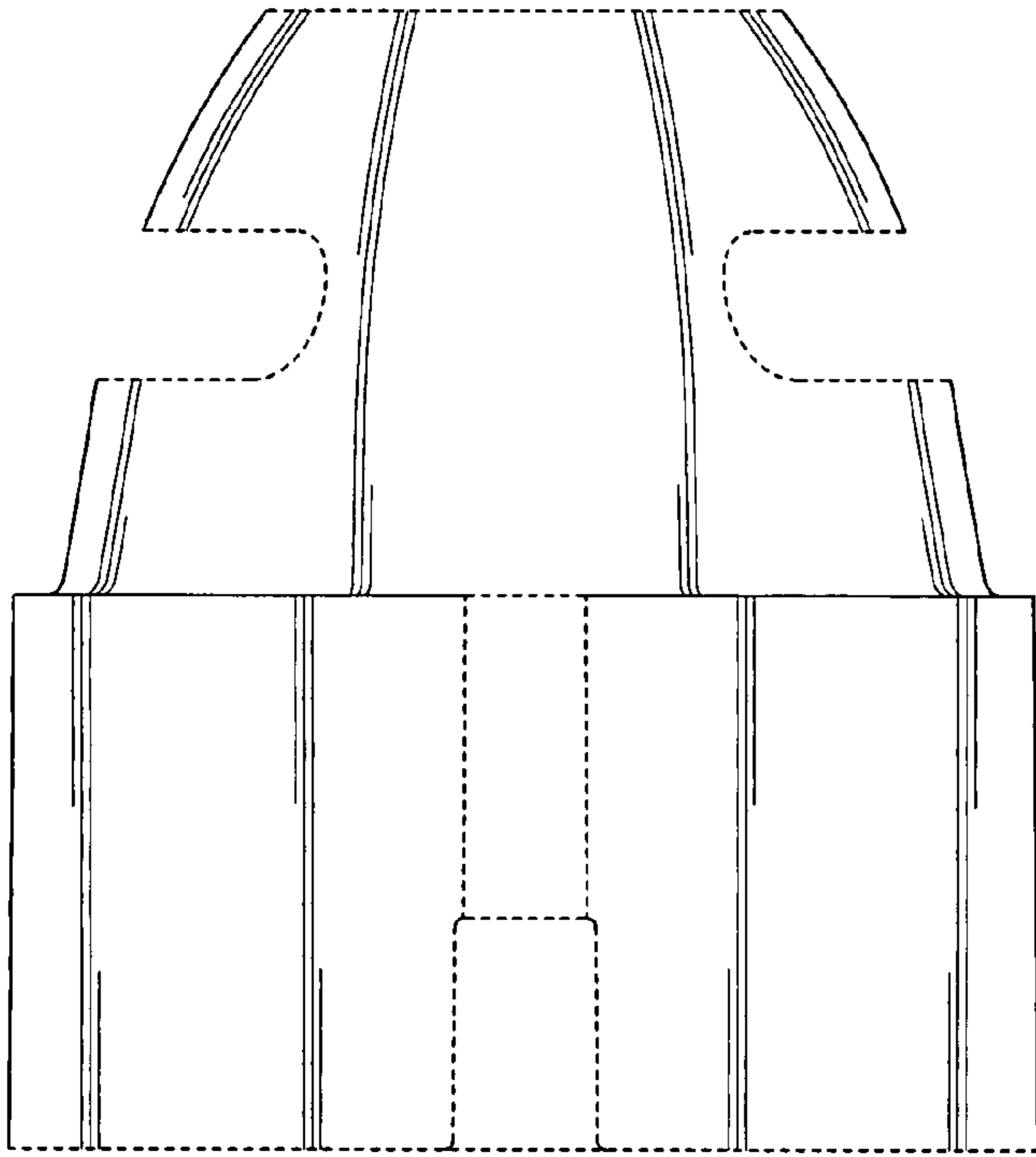


FIG. 2

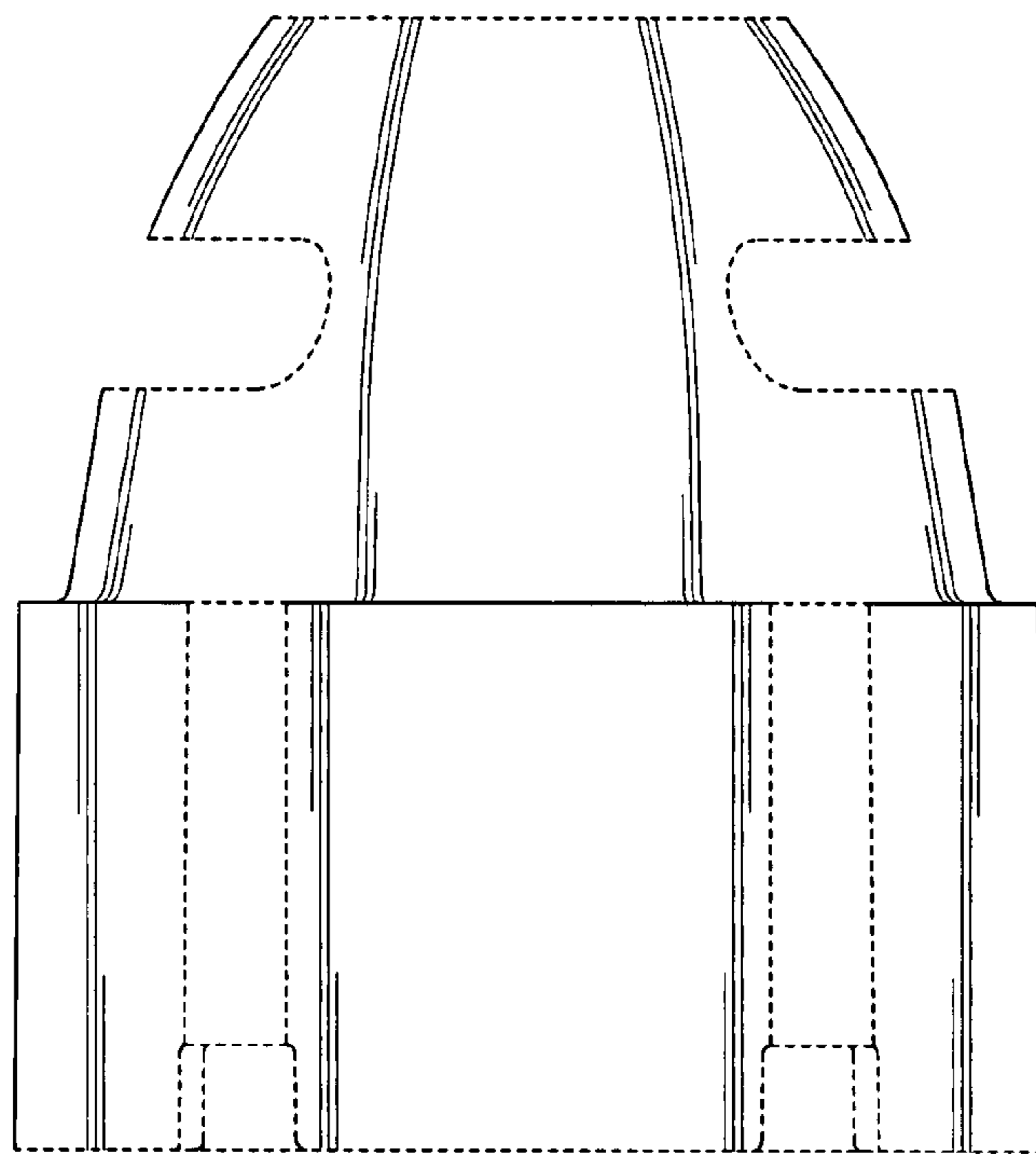


FIG. 3

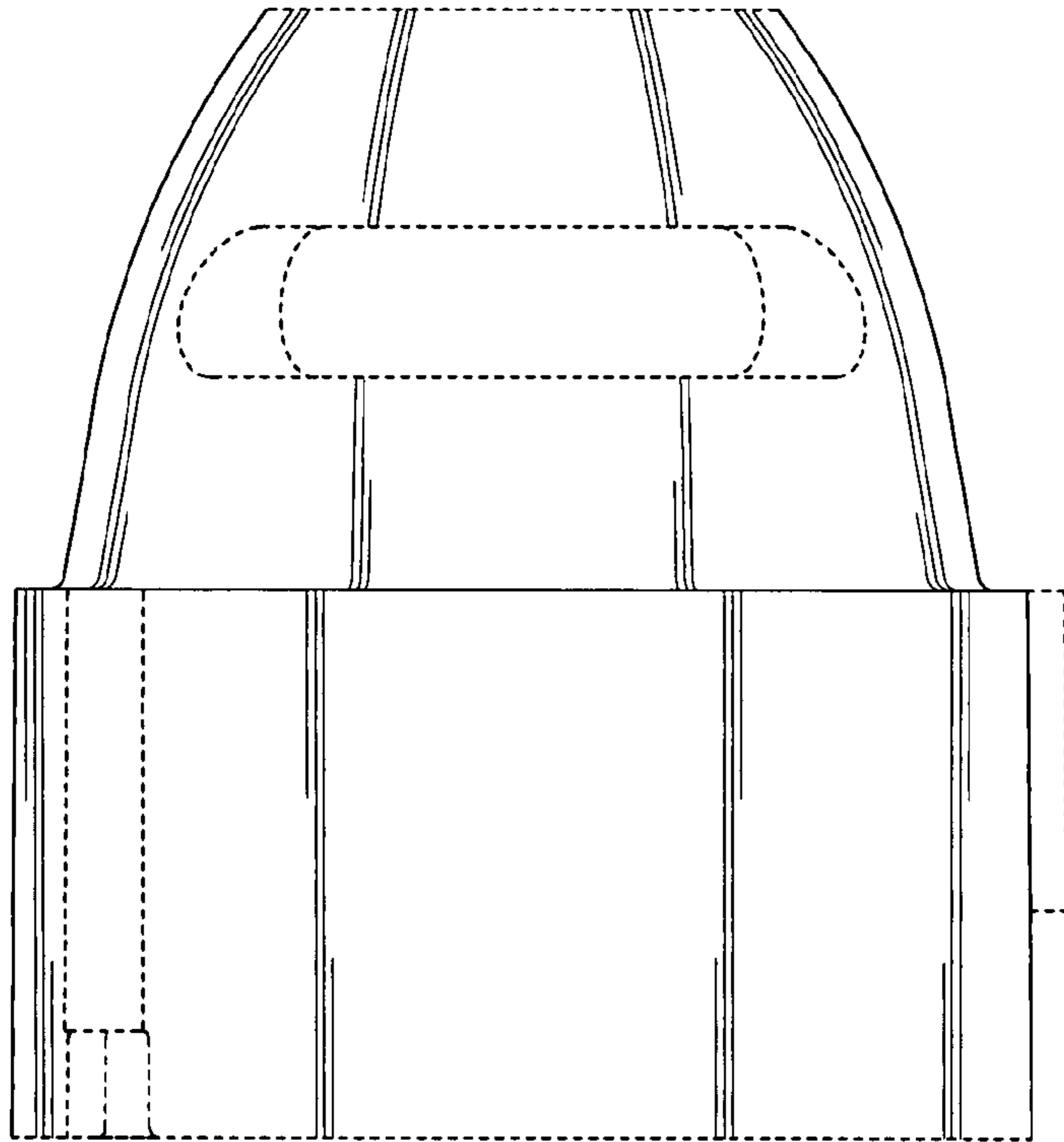


FIG. 4

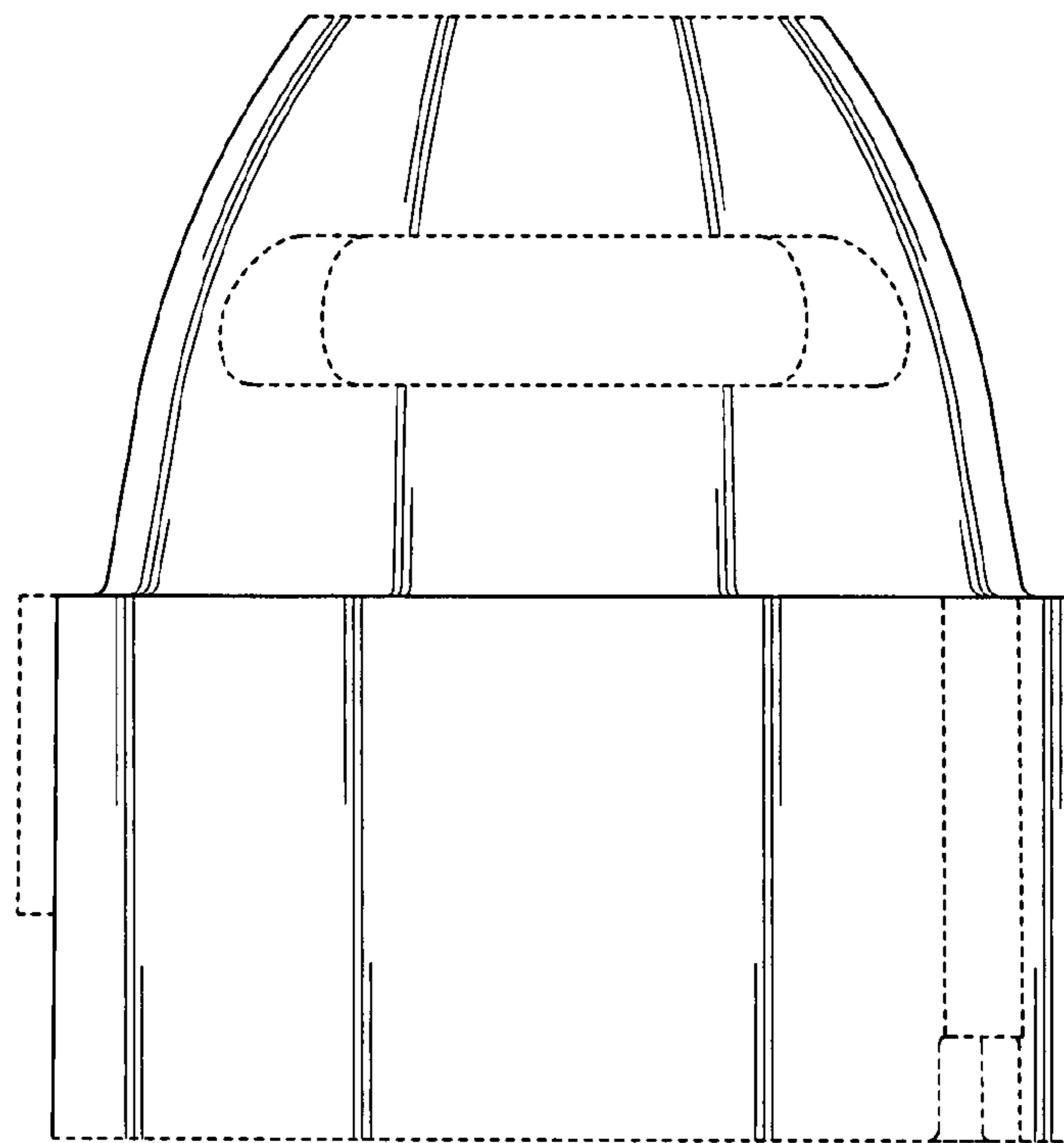


FIG. 5

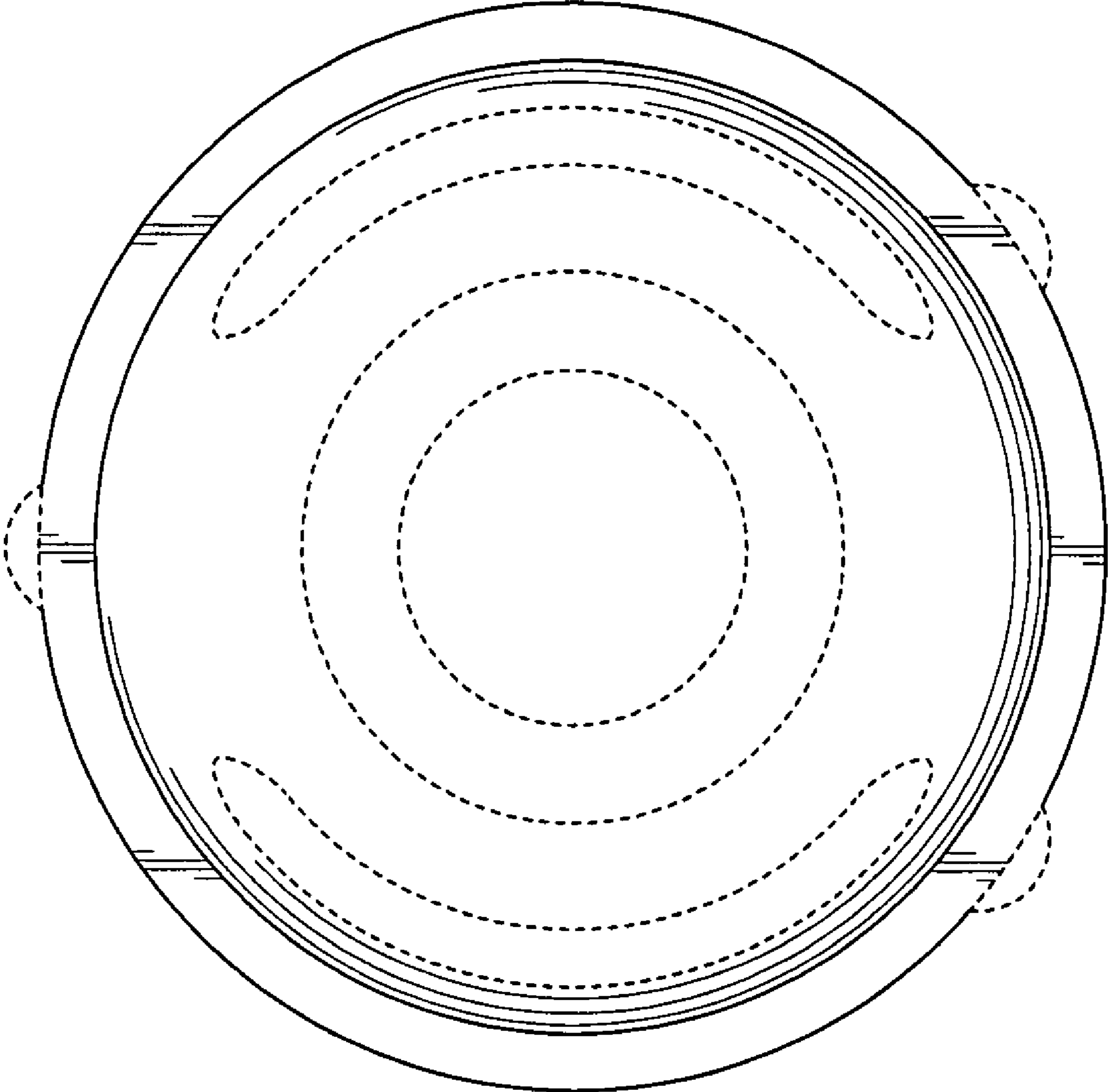


FIG. 6

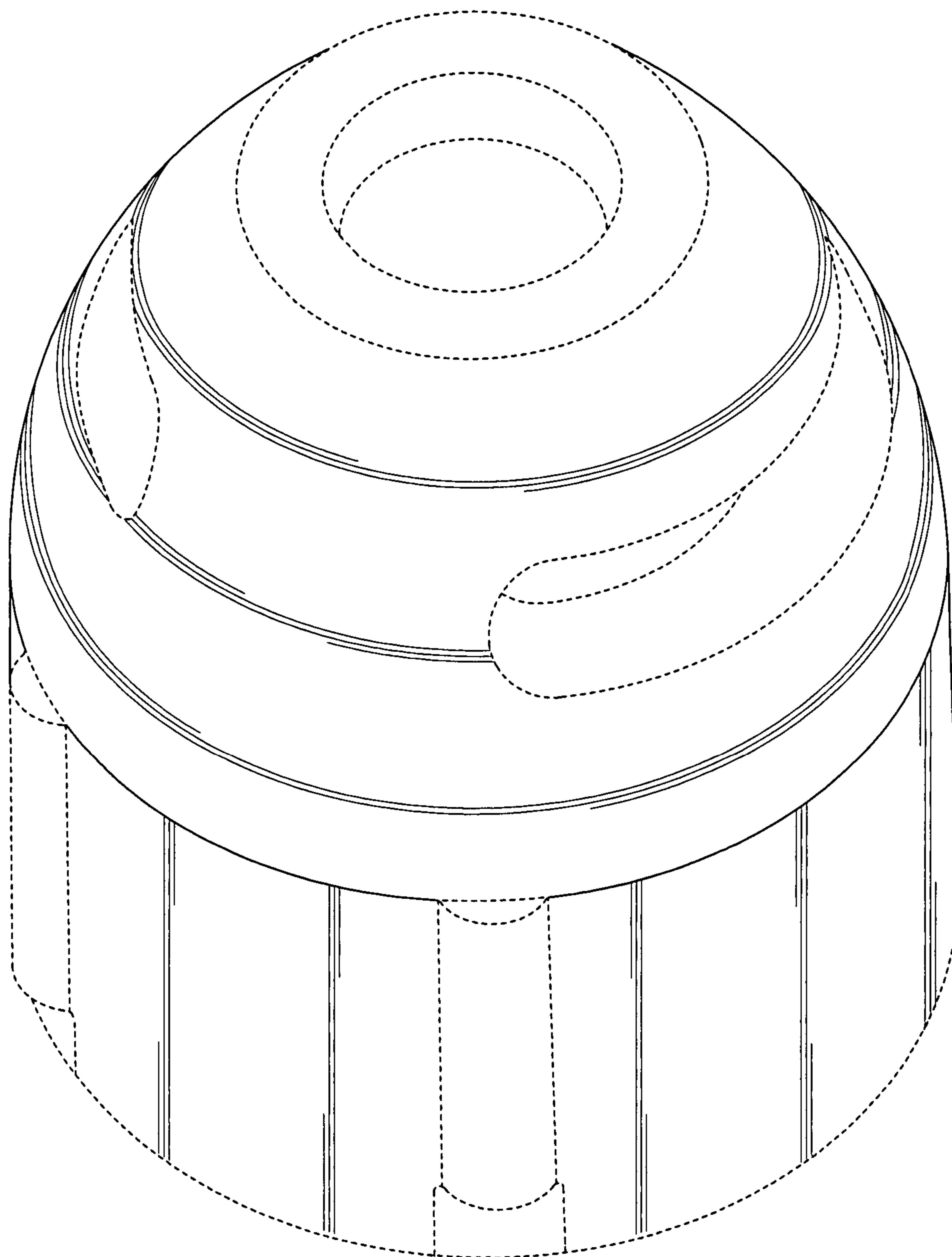


FIG. 7

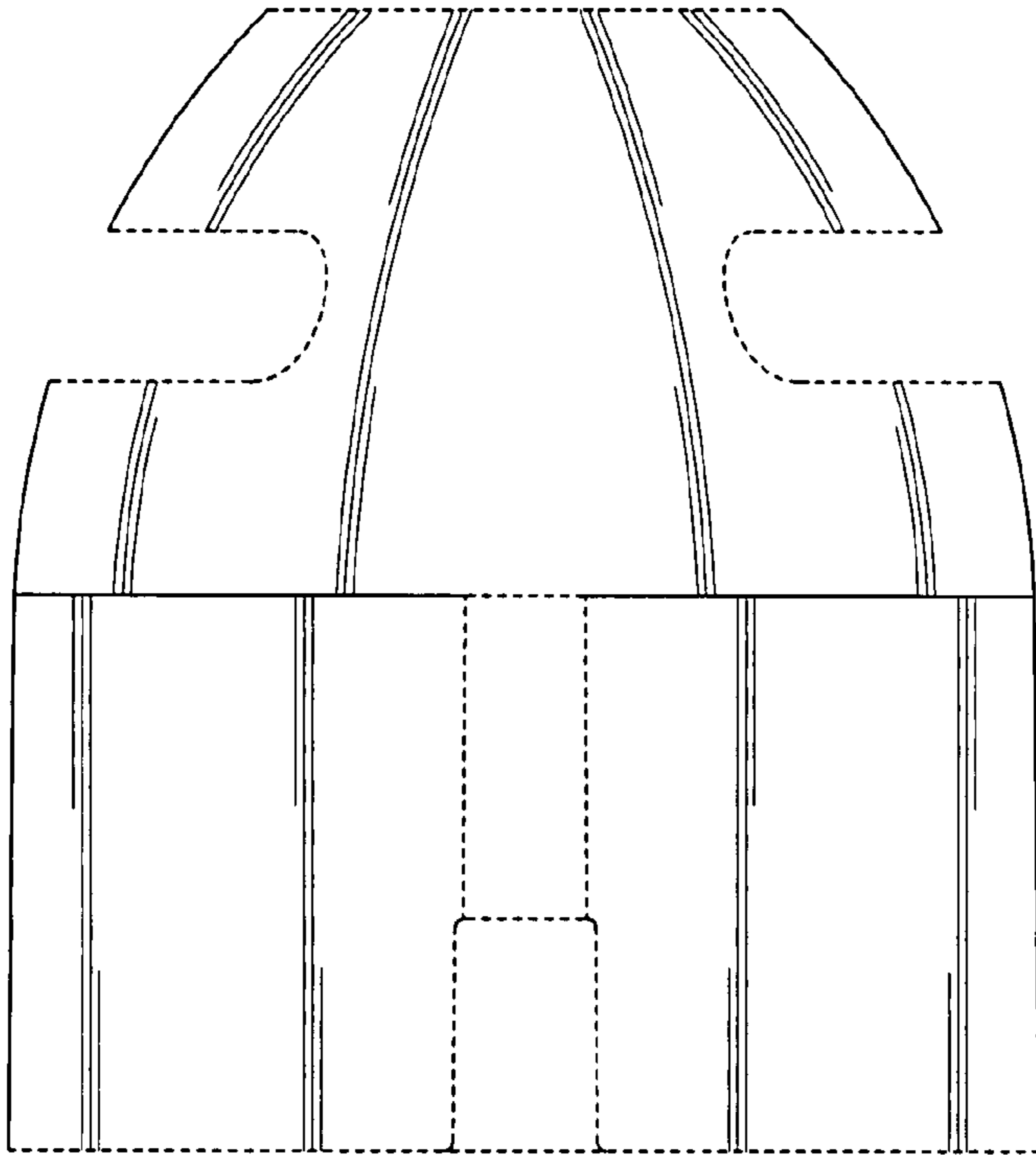


FIG. 8

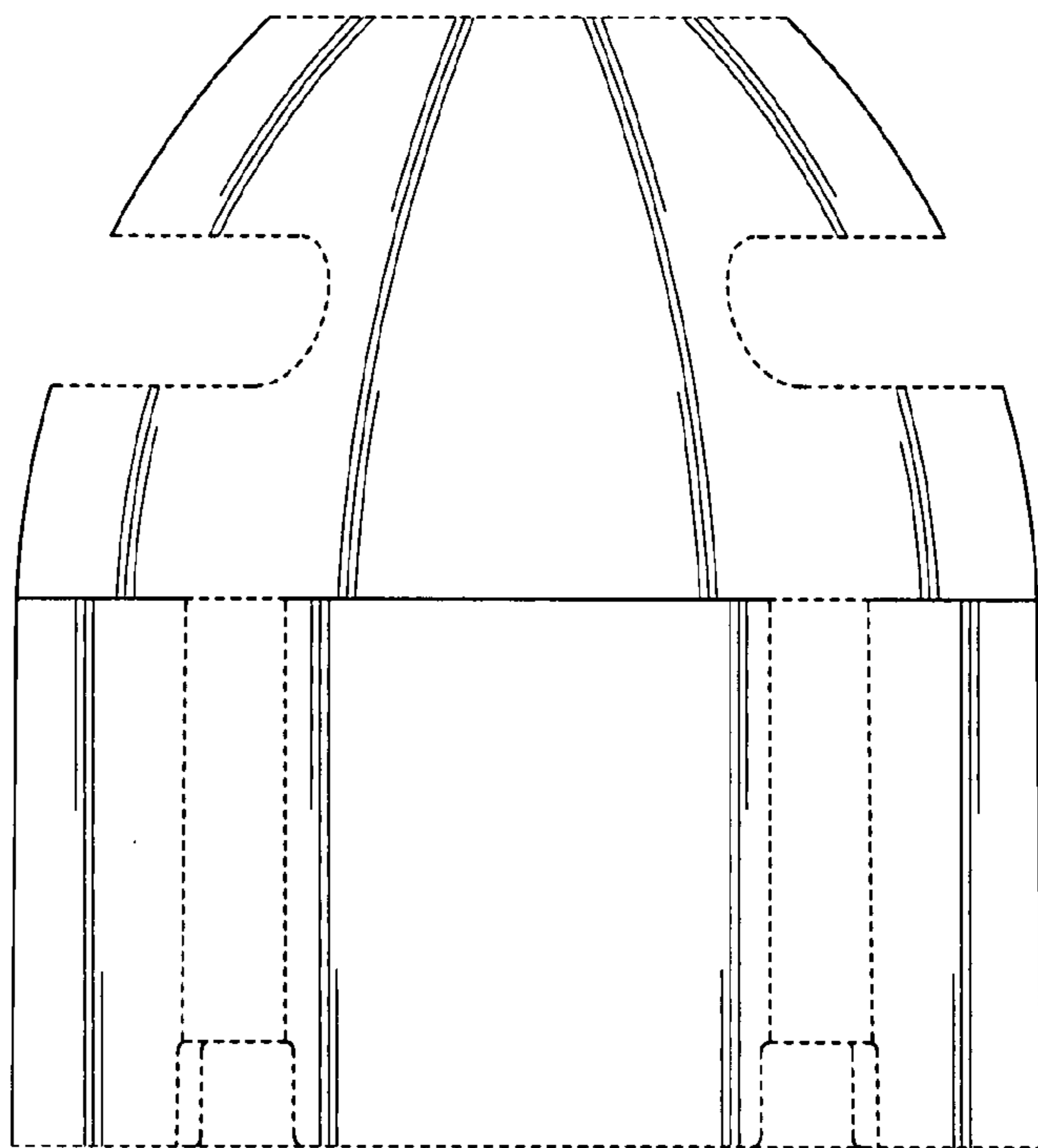


FIG. 9

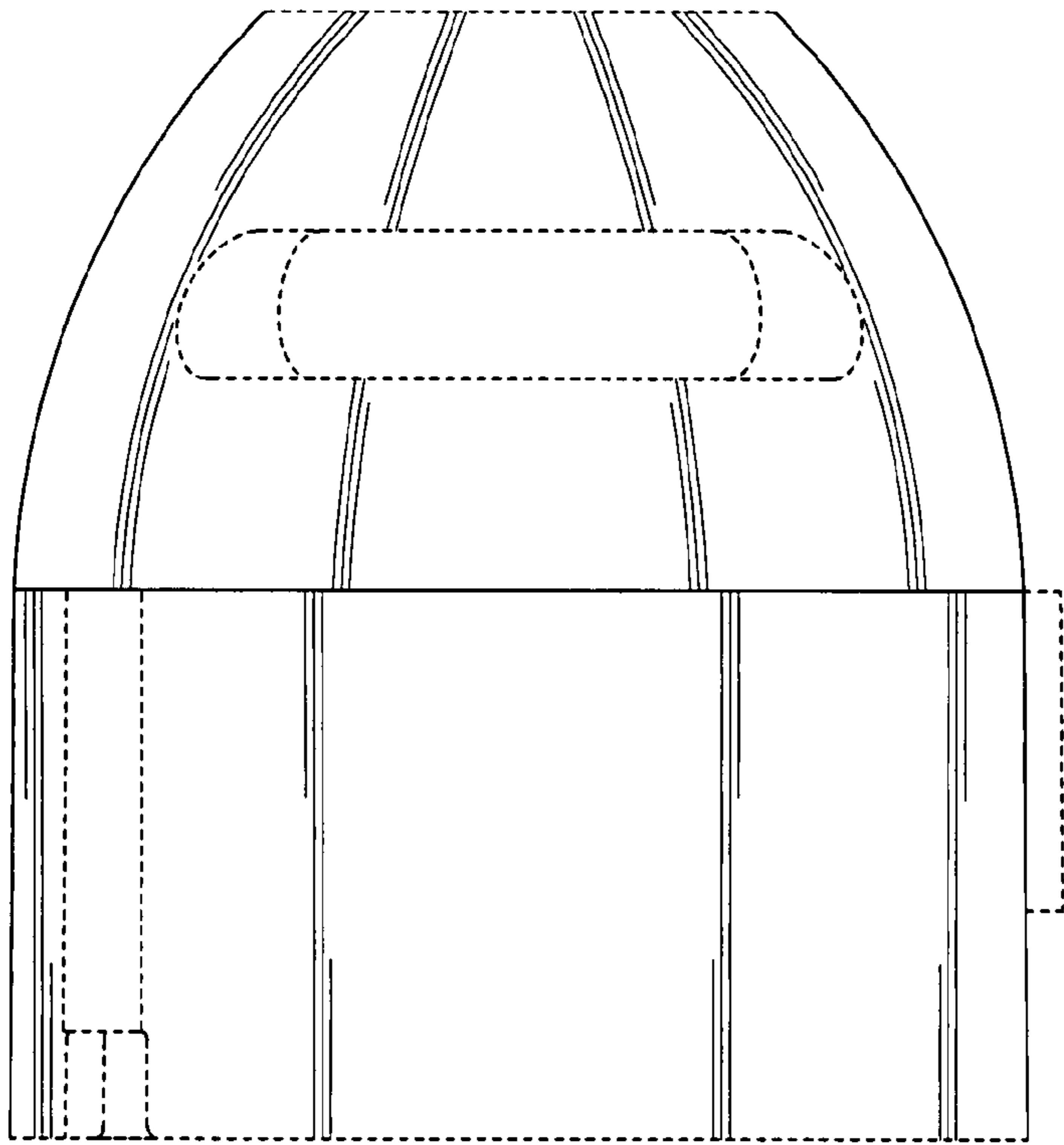


FIG. 10

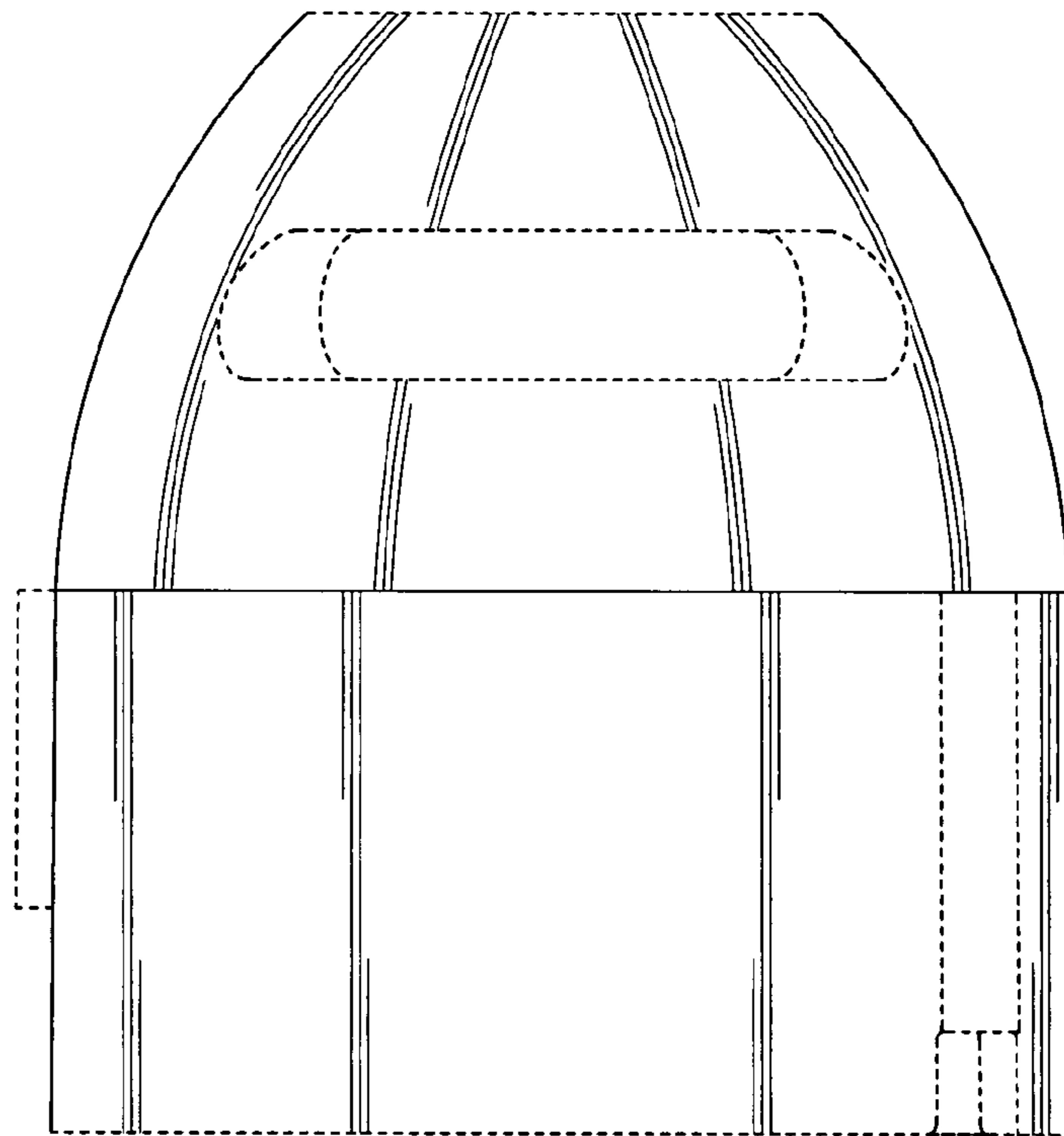


FIG. 11

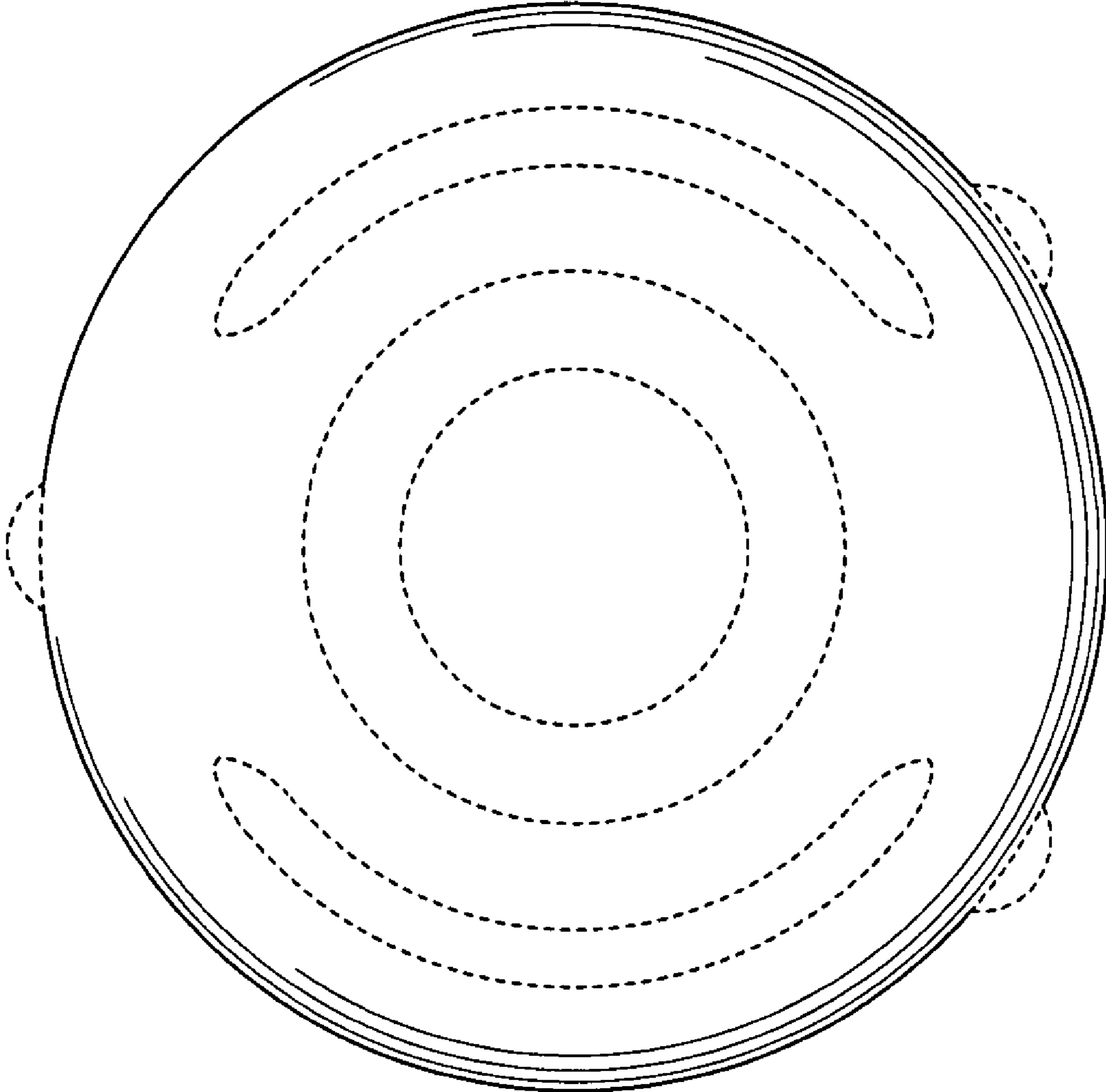


FIG. 12