



US00D585521S

(12) **United States Design Patent**
Crawford et al.

(10) **Patent No.:** **US D585,521 S**
(45) **Date of Patent:** **** Jan. 27, 2009**

(54) **FISH CULLING DEVICE**

7,055,281 B1 * 6/2006 Faneuf 43/43.1
2004/0035223 A1 * 2/2004 Darnell et al. 73/862.474

(75) Inventors: **Jeffrey E. Crawford**, La Plata, MO
(US); **Brandon P. Gray**, Macon, MO
(US); **Jacob Thomas Tippee**, Wildwood,
MO (US)

* cited by examiner

(73) Assignee: **Ardent Outdoors, Inc.**, St. Louis, MO
(US)

Primary Examiner—Catherine R Oliver
(74) *Attorney, Agent, or Firm*—Polster, Lieder, Woodruff &
Lucchesi L.C.L

(**) Term: **14 Years**

(57) **CLAIM**

(21) Appl. No.: **29/301,760**

The ornamental design for a fish culling device, as shown and described.

(22) Filed: **Mar. 14, 2008**

(51) **LOC (9) Cl.** **22-05**

DESCRIPTION

(52) **U.S. Cl.** **D22/134**

(58) **Field of Classification Search** D22/134–136,
D22/149, 199; 43/43.1, 44.6, 55, 4, 4.5,
43/43.16, 43.6; 224/103; 73/862.474
See application file for complete search history.

FIG. 1 is a top and side perspective view of a fish culling device showing our new design;
FIG. 2 is a front view thereof;
FIG. 3 is a top plan view thereof; and,
FIG. 4 is a side view.

(56) **References Cited**

U.S. PATENT DOCUMENTS

6,044,582 A * 4/2000 Johnson 43/4

1 Claim, 4 Drawing Sheets

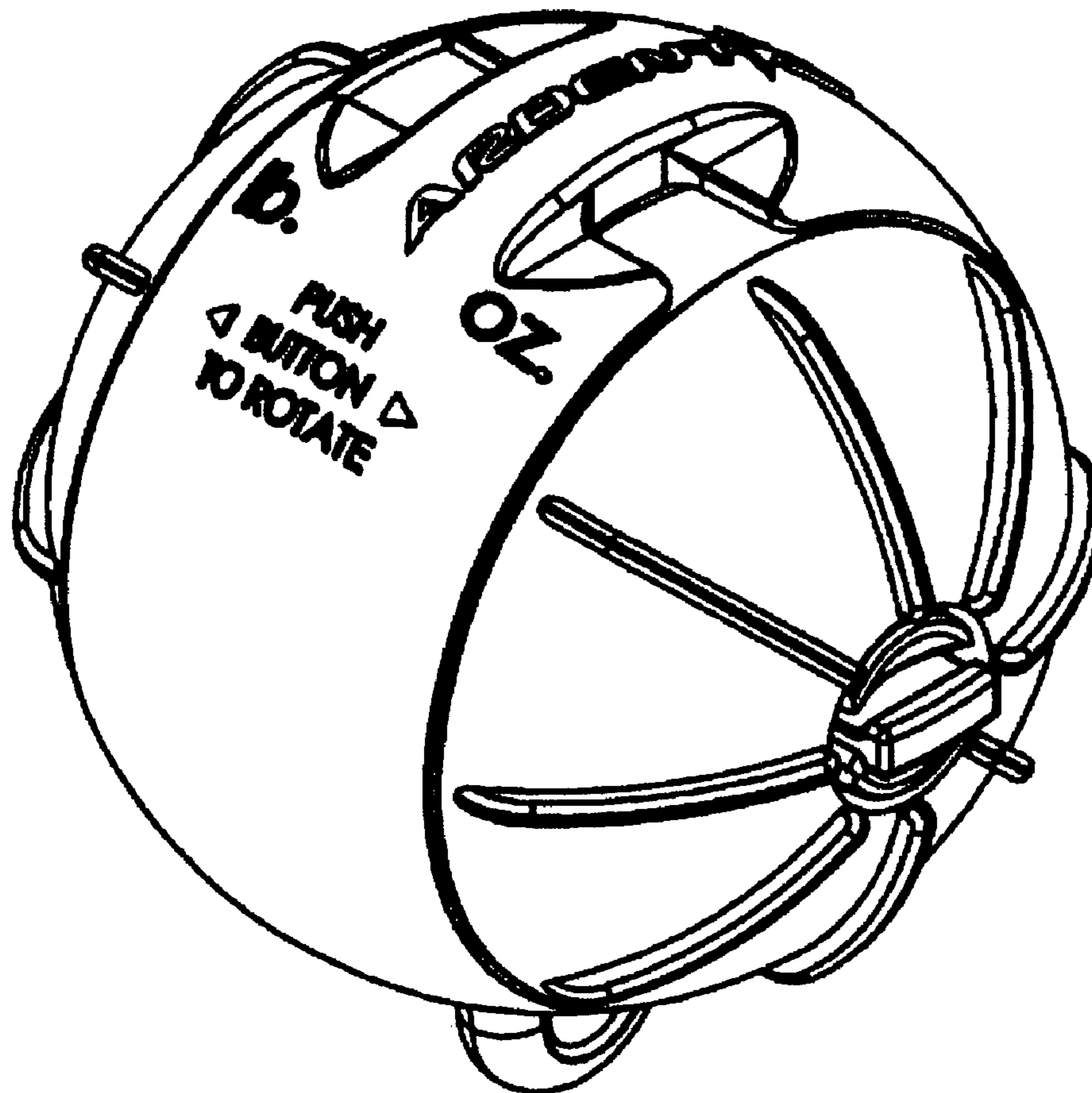


FIG. 1

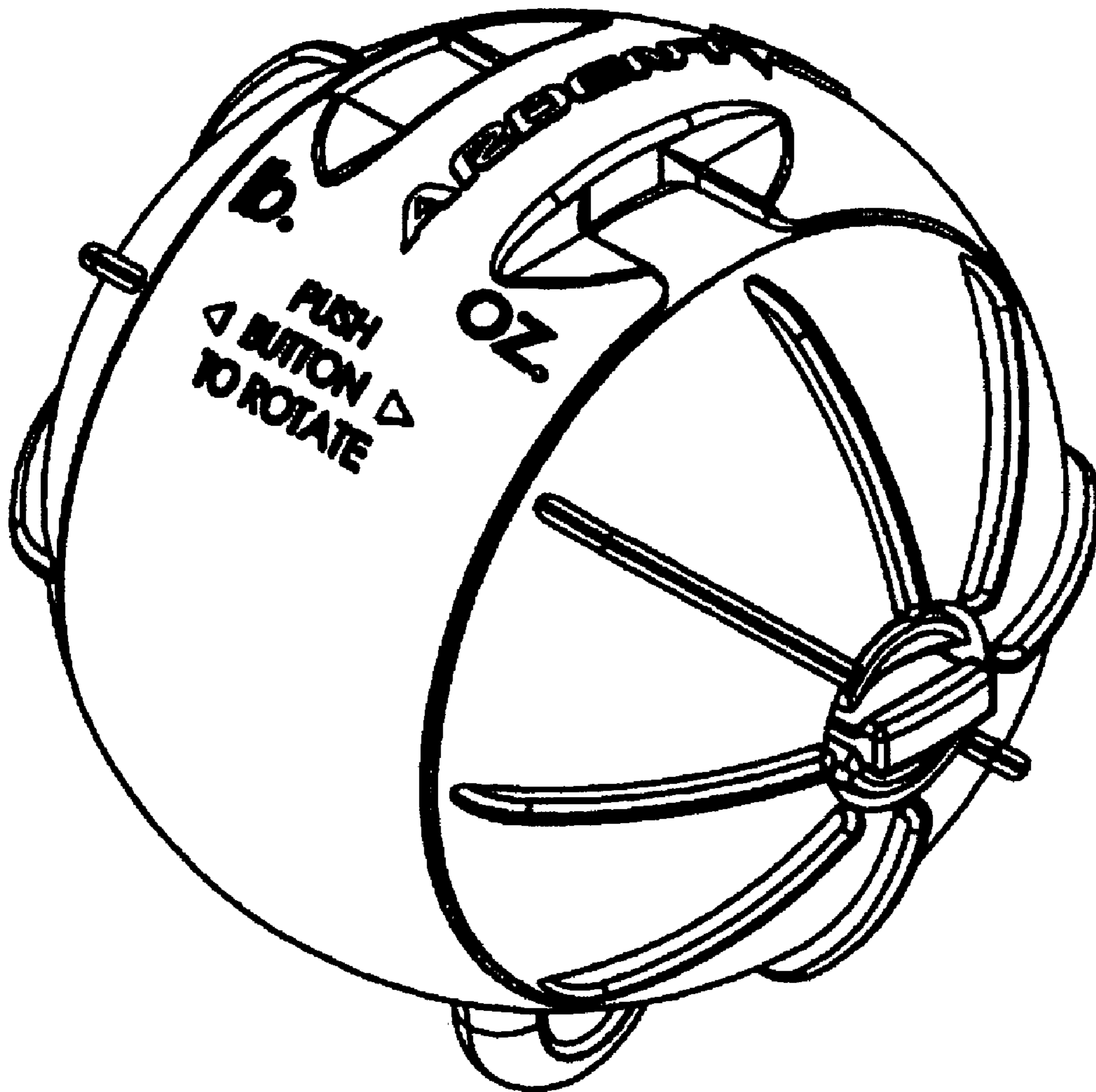


FIG. 2

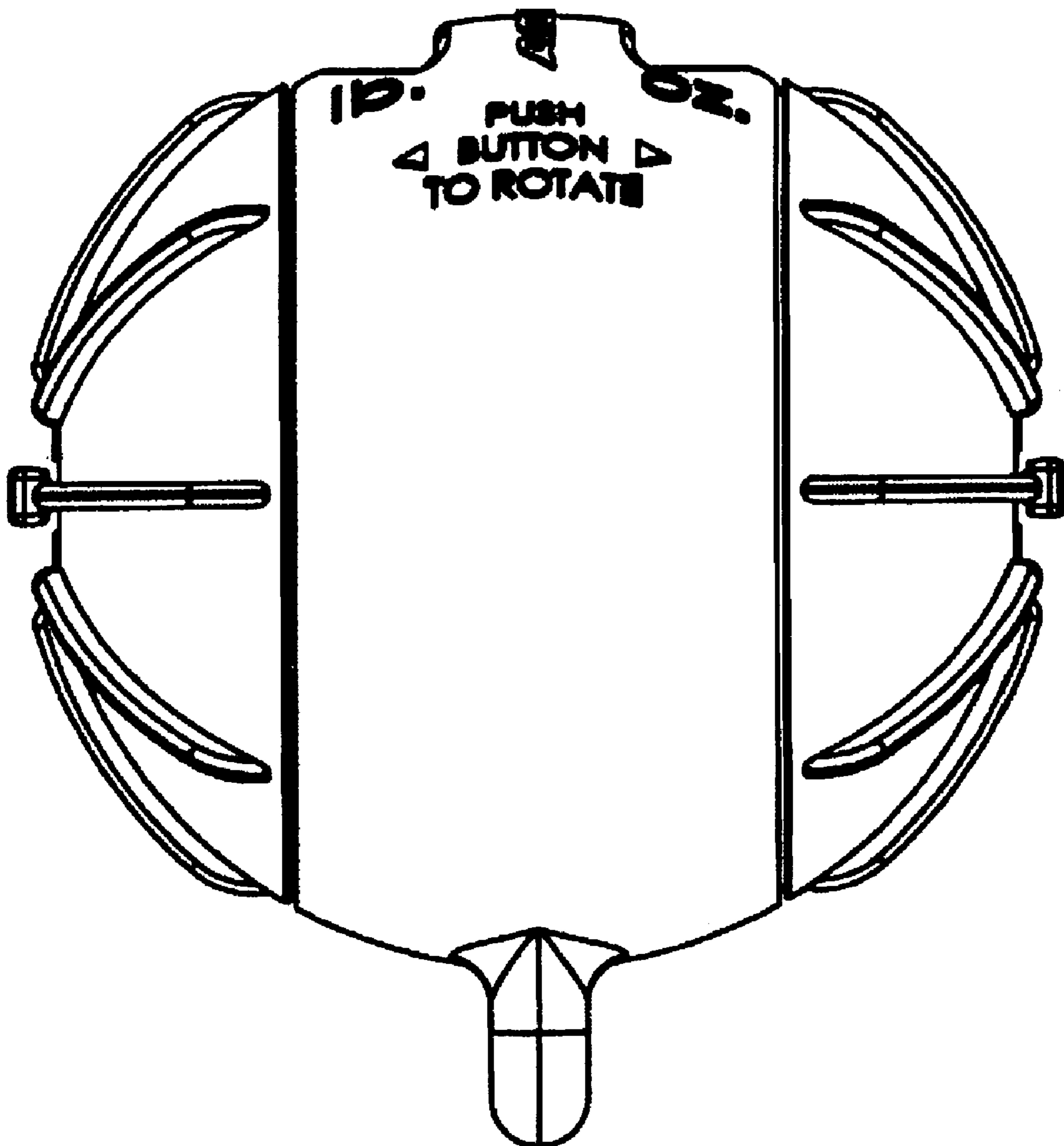


FIG. 3

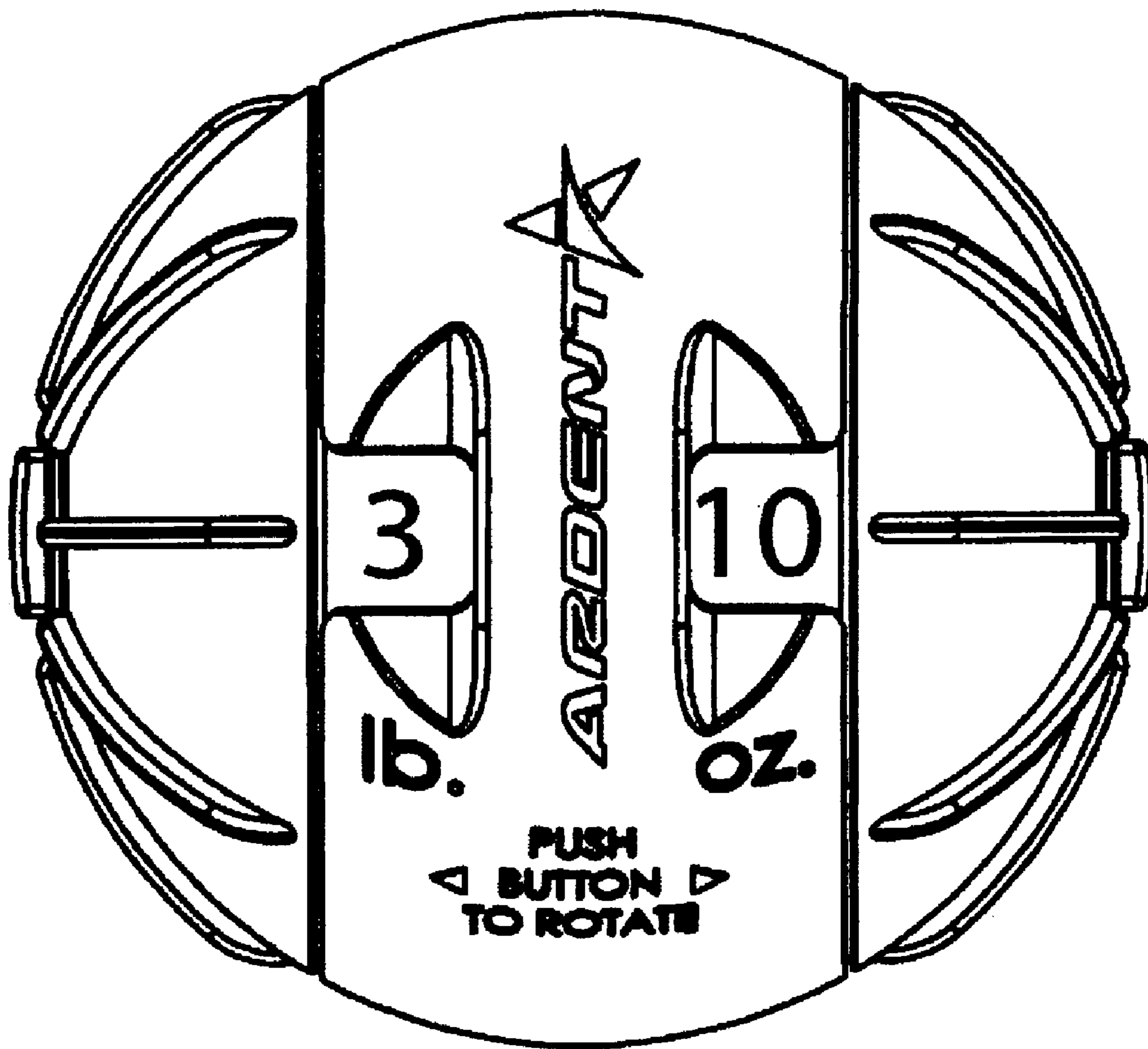


FIG. 4

