



US00D585517S

(12) **United States Design Patent**
Faifer et al.

(10) **Patent No.:** **US D585,517 S**
(45) **Date of Patent:** **** Jan. 27, 2009**

(54) **FLASHLIGHT HOLDER WITH FOREGRIP**

(76) Inventors: **Tuvia Faifer**, 43 Yaacov Olany Street,
Mishmar HaShiva (IL) 50287; **Sagi**
Faifer, 43 Yaacov Olany Street, Mishmar
HaShiva (IL) 50297

(**) Term: **14 Years**

(21) Appl. No.: **29/261,455**

(22) Filed: **Jun. 14, 2006**

(30) **Foreign Application Priority Data**

Dec. 14, 2005 (IL) 41720

(51) **LOC (9) Cl.** **22-01**

(52) **U.S. Cl.** **D22/108; D22/108**

(58) **Field of Classification Search** **D22/108,**
D22/109, 110, 199; D26/37-50; 362/110-112;
42/111, 112, 113, 114, 127, 146

See application file for complete search history.

(56) **References Cited**

U.S. PATENT DOCUMENTS

4,367,606 A * 1/1983 Bechtel 42/127
5,430,967 A * 7/1995 Woodman et al. 42/114
6,185,854 B1 * 2/2001 Solinsky et al. 42/111
7,117,627 B2 * 10/2006 Woodmansee et al. 42/146
D542,446 S * 5/2007 DiCarlo et al. D26/38

* cited by examiner

Primary Examiner—Cathron C Brooks

Assistant Examiner—Melanie Levy

(74) *Attorney, Agent, or Firm*—Robert L. Stone

(57) **CLAIM**

The ornamental design for a flashlight holder with a foregrip,
as shown and described.

DESCRIPTION

FIG. 1 is a front view of the claimed flashlight holder with
foregrip;

FIG. 2 is a side view of the claimed flashlight holder with
foregrip;

FIG. 3 is a rear view of the claimed flashlight holder with
foregrip;

FIG. 4 is a perspective side view of the claimed flashlight
holder with foregrip with a flashlight and with the foregrip
unfolded;

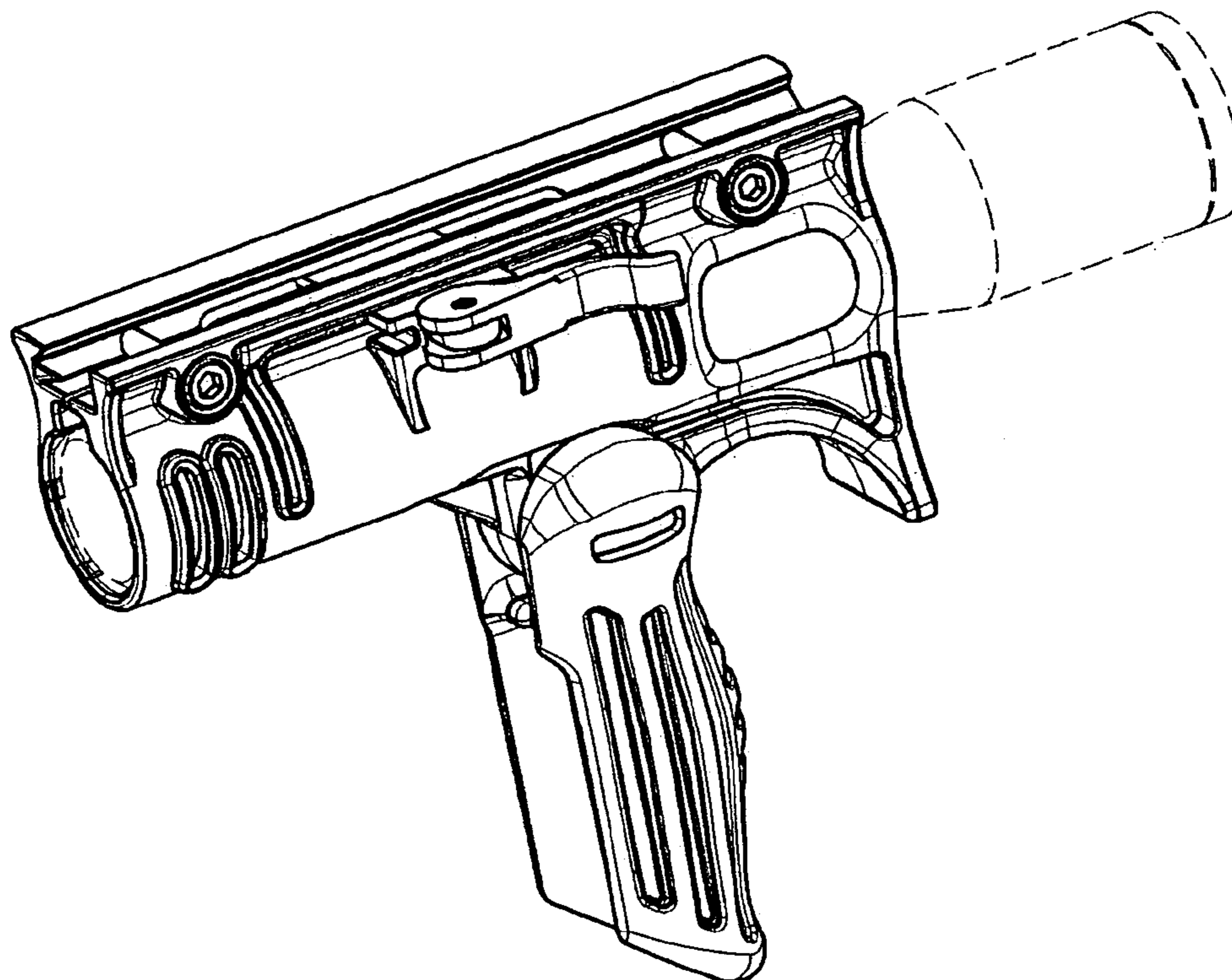
FIG. 5 is a perspective side view of the claimed flashlight
holder with foregrip with a flashlight and with the foregrip
folded;

FIG. 6 is a top view of the claimed flashlight holder with
foregrip; and,

FIG. 7 is a side view of the opposite side of FIG. 2 of the
claimed flashlight holder with foregrip.

The broken lines are for illustrative purposes only and form
no part of the claimed design.

1 Claim, 7 Drawing Sheets



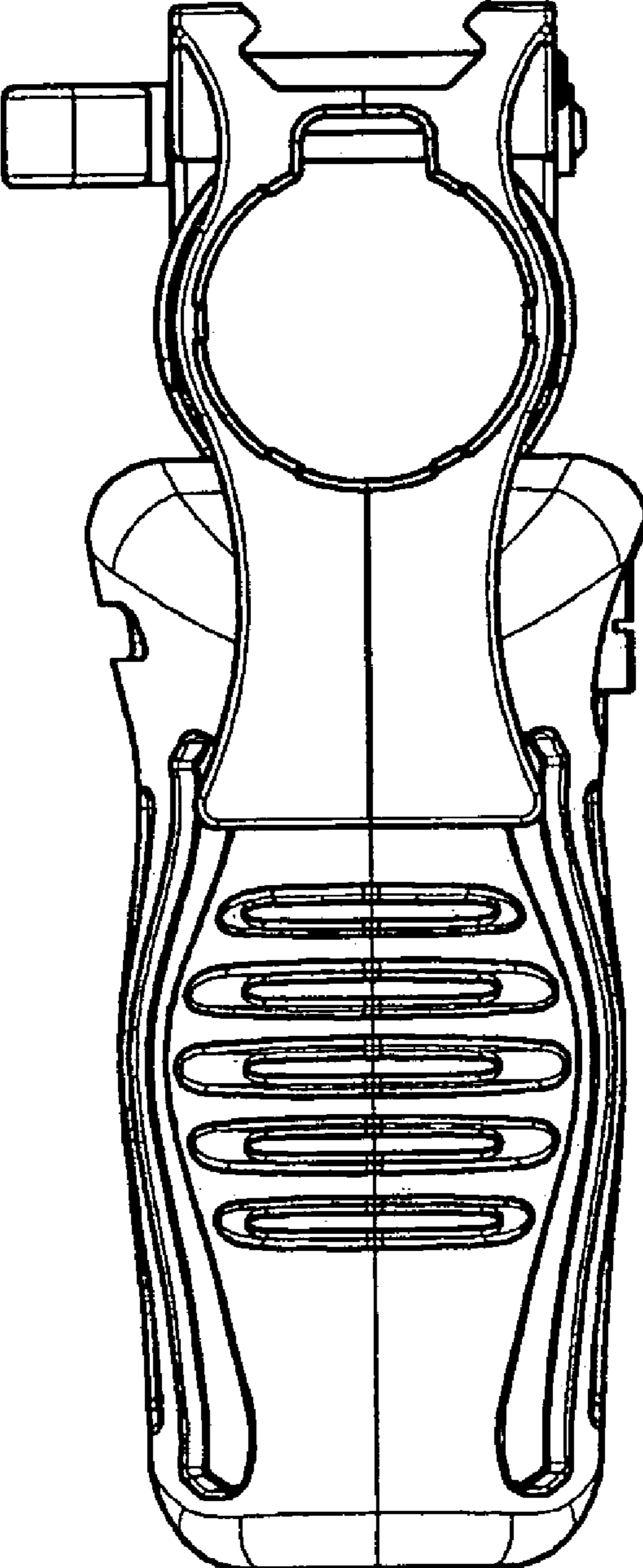


Fig. 1

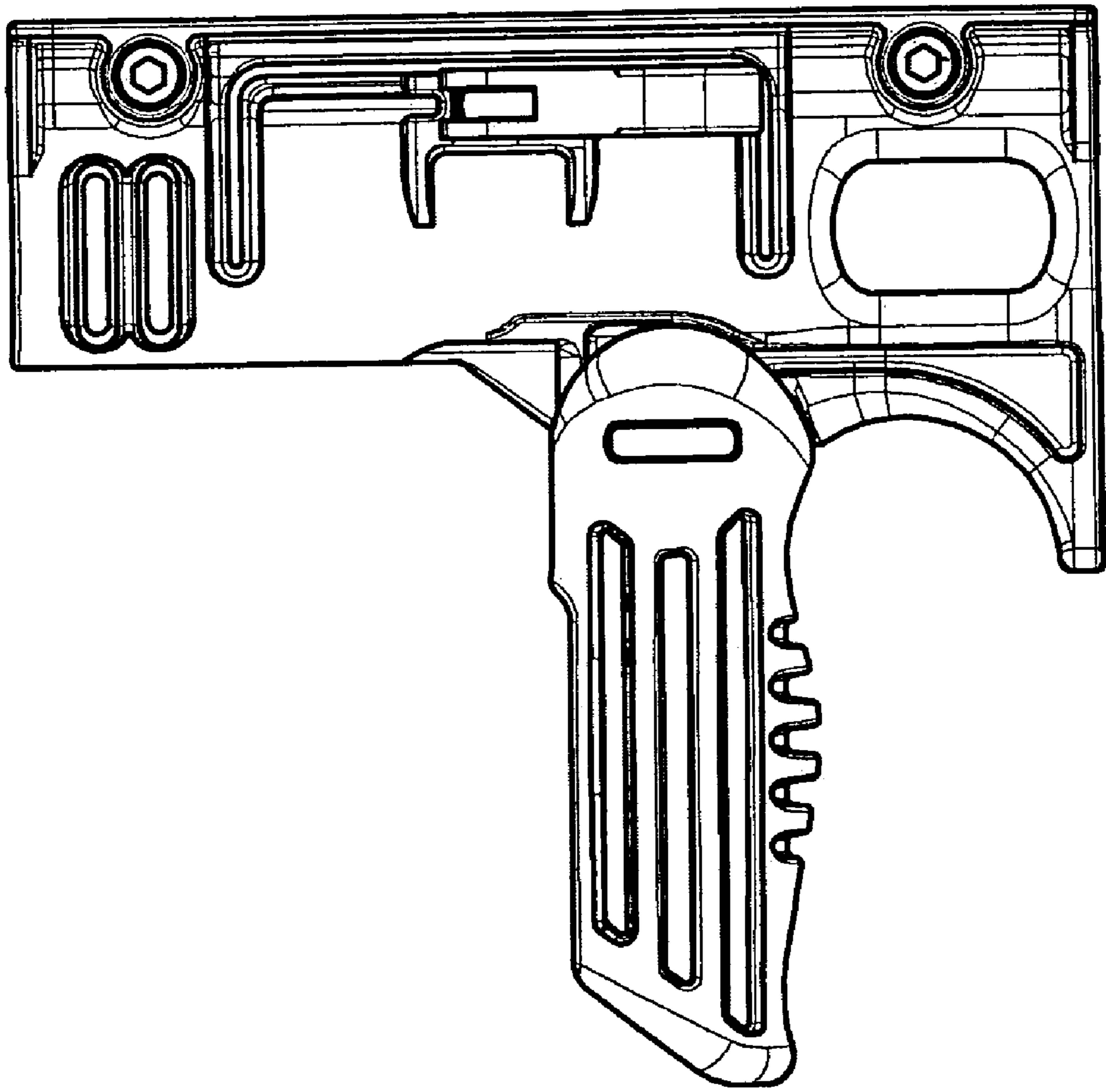


Fig. 2

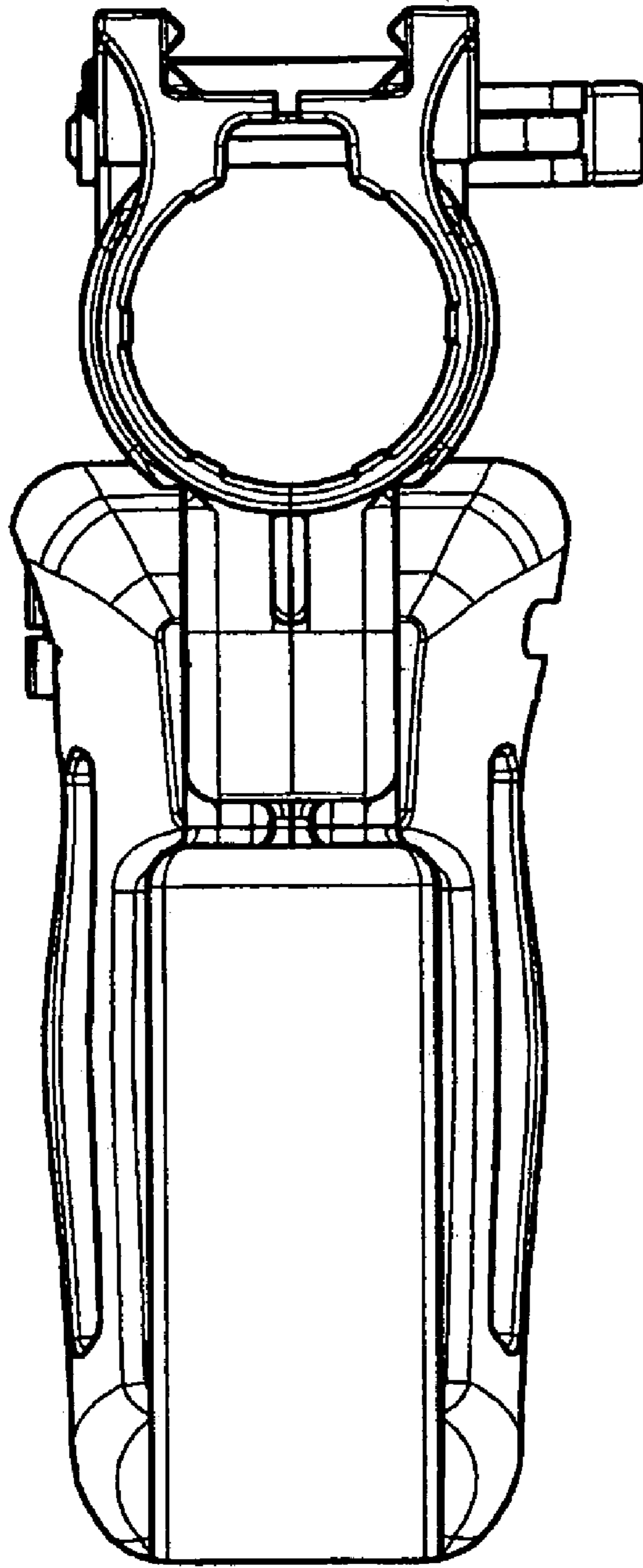


Fig. 3

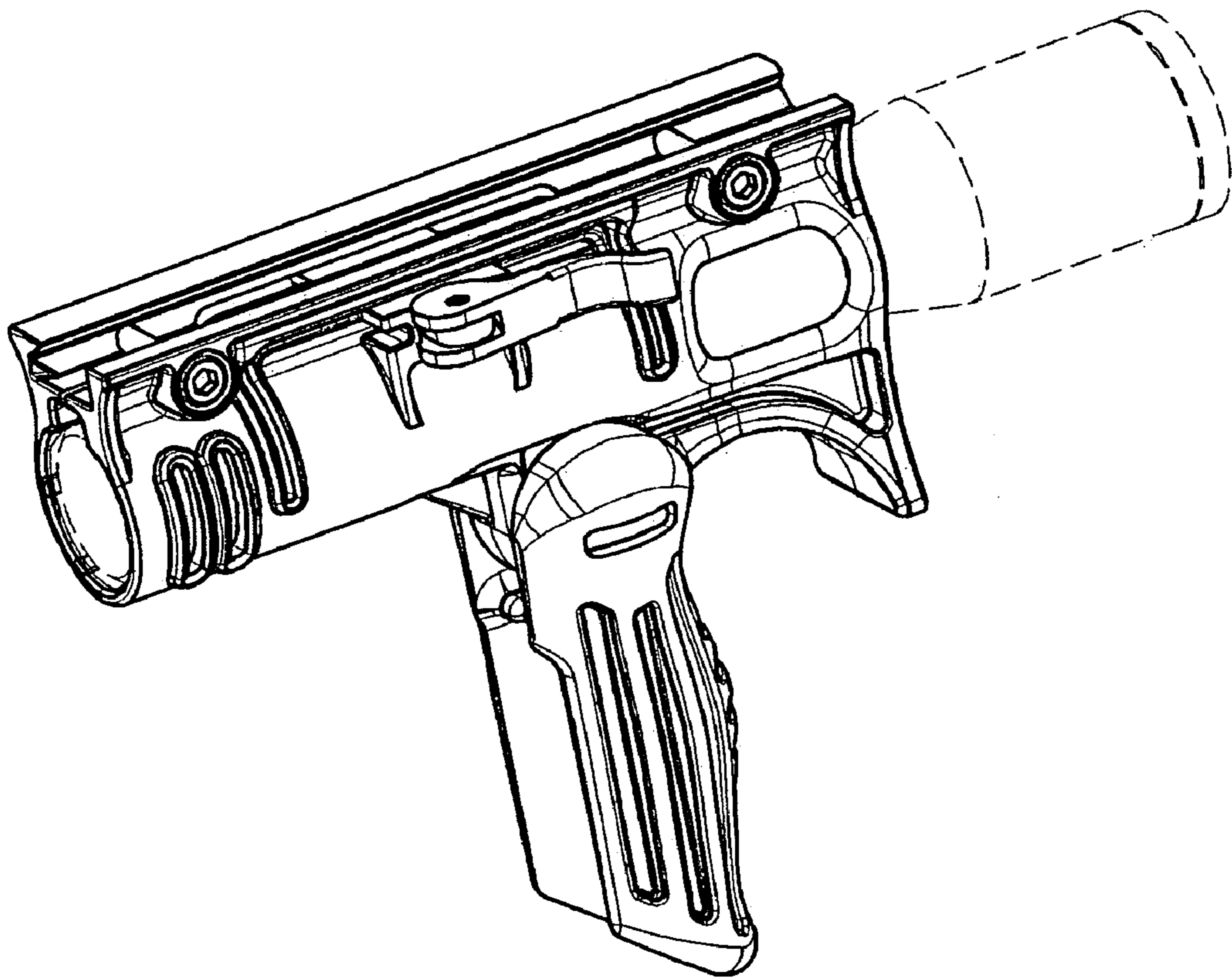


Fig. 4

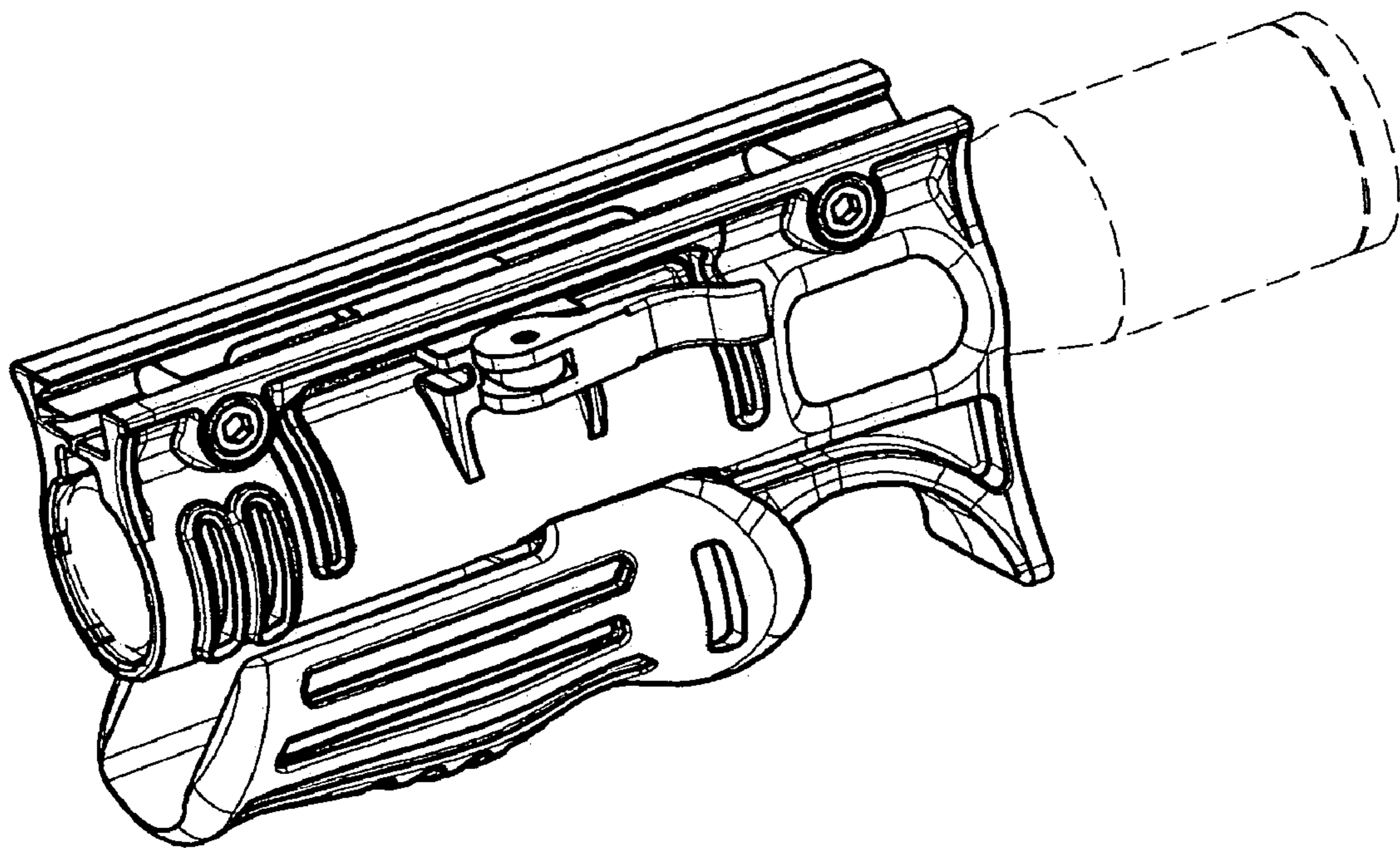


Fig. 5

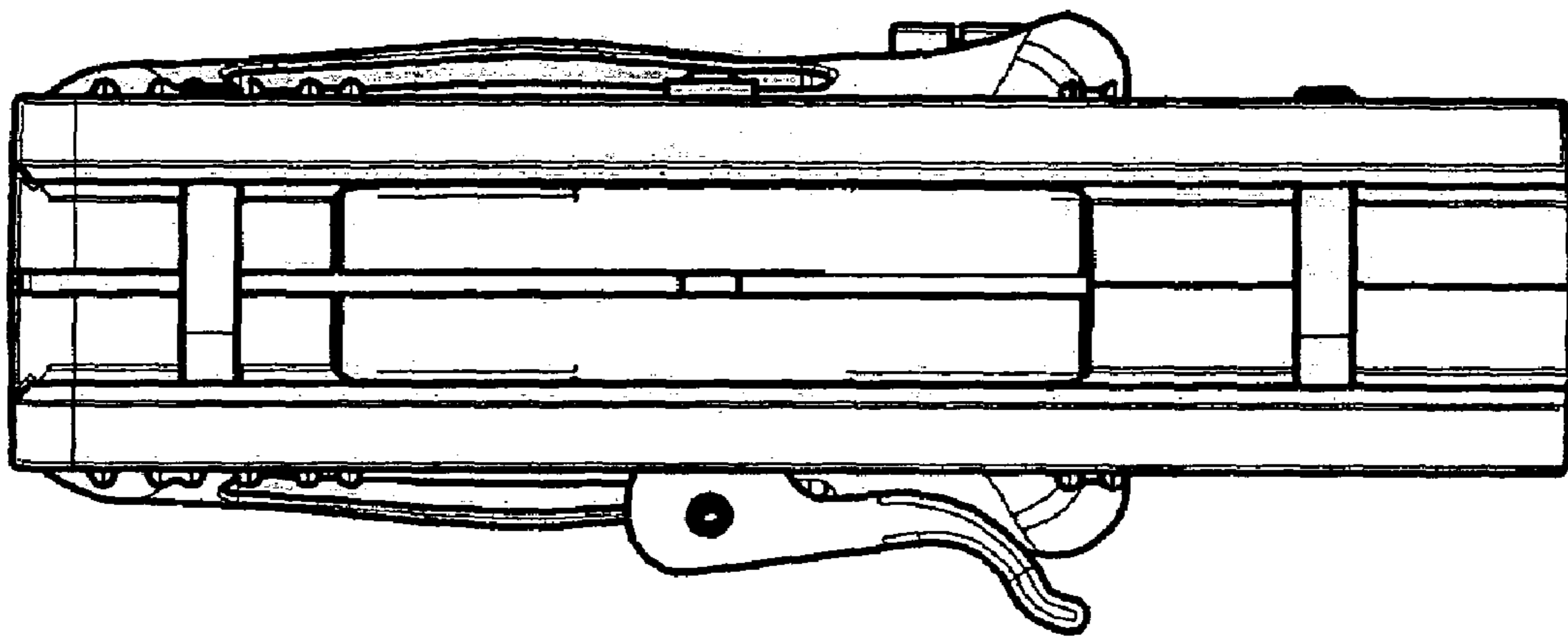


Fig. 6

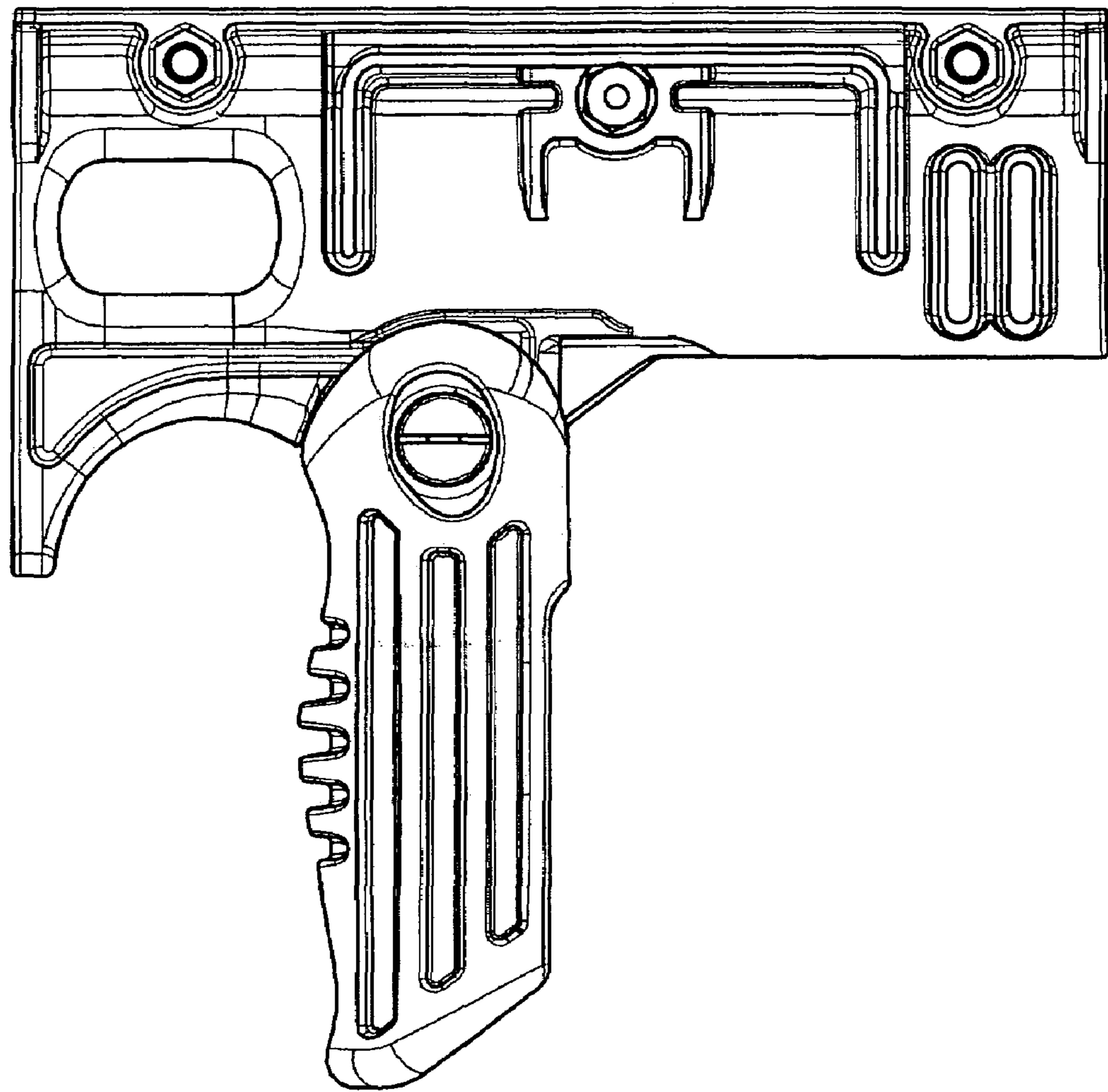


Fig. 7