



US00D585516S

(12) **United States Design Patent**
Smith

(10) **Patent No.:** **US D585,516 S**
(45) **Date of Patent:** **** Jan. 27, 2009**

(54) **GUN LIGHT AND BRACKET**

(75) Inventor: **Kenneth Smith**, Porum, OK (US)

(73) Assignee: **Optronics Products Company, Inc.**,
Muskogee, OK (US)

(**) Term: **14 Years**

(21) Appl. No.: **29/241,710**

(22) Filed: **Oct. 31, 2005**

(51) **LOC (9) Cl.** **22-01**

(52) **U.S. Cl.** **D22/108**

(58) **Field of Classification Search** D22/108,
D22/109, 110; 42/146, 114, 117; D26/37,
D26/38, 46, 49, 51; 362/157, 158, 183, 190,
362/196, 202

See application file for complete search history.

(56) **References Cited**

U.S. PATENT DOCUMENTS

D391,654 S *	3/1998	Matthes et al.	D26/37
D445,522 S *	7/2001	Chiu	D26/49
6,571,503 B2 *	6/2003	Thorpe	42/114
D510,402 S *	10/2005	Owens	D22/108
D557,836 S *	12/2007	Shiu	D26/37
D557,838 S *	12/2007	Shiu	D26/37
2007/0277422 A1 *	12/2007	Ding	42/146

* cited by examiner

Primary Examiner—Cathron C Brooks

Assistant Examiner—Melanie Levy

(74) *Attorney, Agent, or Firm*—Head, Johnson & Kachigian

(57) **CLAIM**

The ornamental design for a gun light and bracket, as shown and described.

DESCRIPTION

FIG. 1 is a left side elevational view of a gun light and bracket showing my new design;

FIG. 2 is a front view of the gun light and bracket as shown in FIG. 1;

FIG. 3 is a right side view of the gun light and bracket as shown in FIG. 1;

FIG. 4 is a bottom view of the gun light and bracket as shown in FIG. 1;

FIG. 5 is an enlarged rear view of the gun light and bracket as shown in FIG. 1;

FIG. 6 is a top view of the gun light and bracket as shown in FIG. 1; and

FIG. 7 is a rear perspective view of the gun light and bracket as shown in FIG. 1; and,

FIG. 8 is a front perspective view of the gun light and bracket as shown in FIG 1.

1 Claim, 5 Drawing Sheets

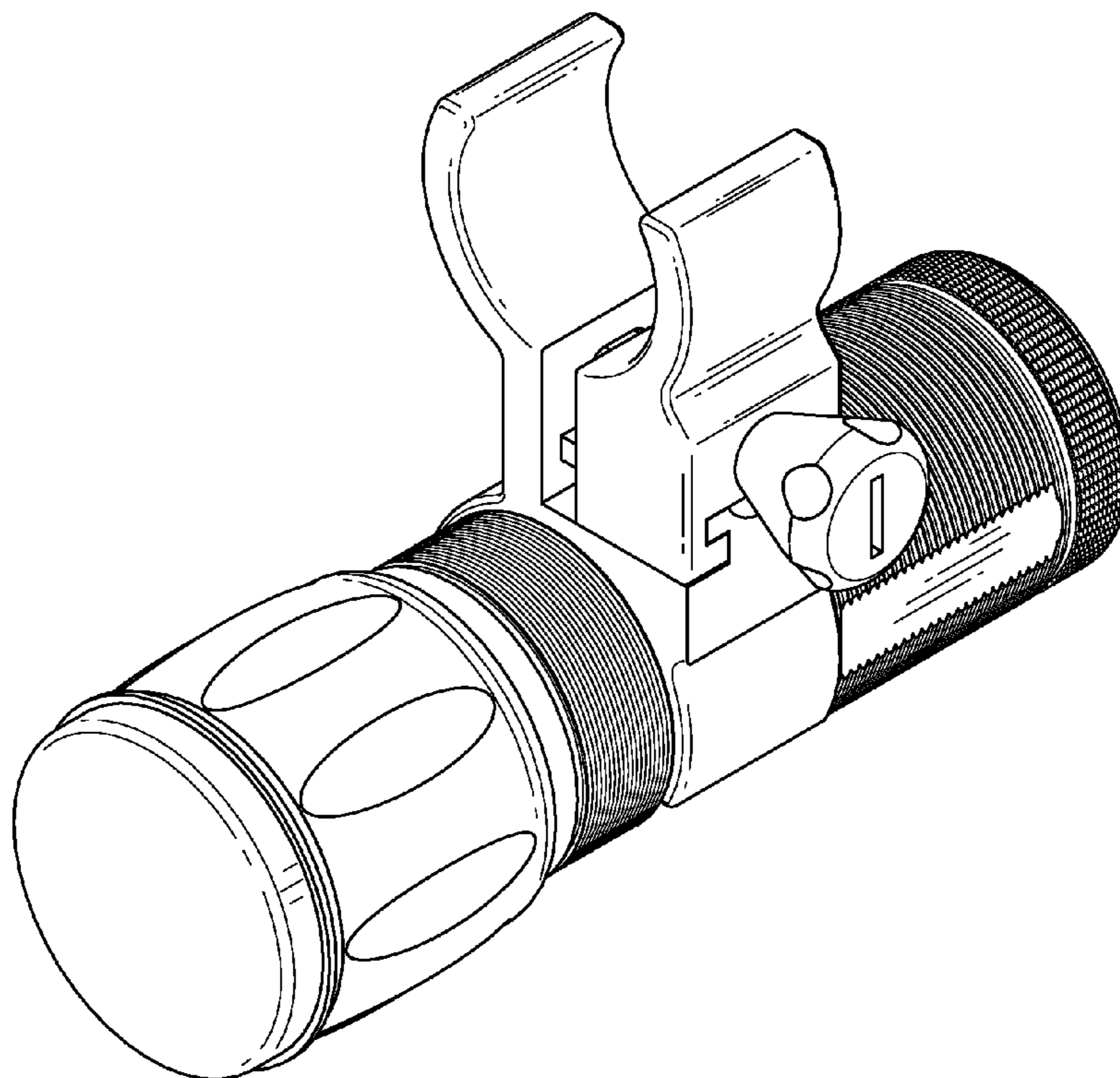


FIG. 1

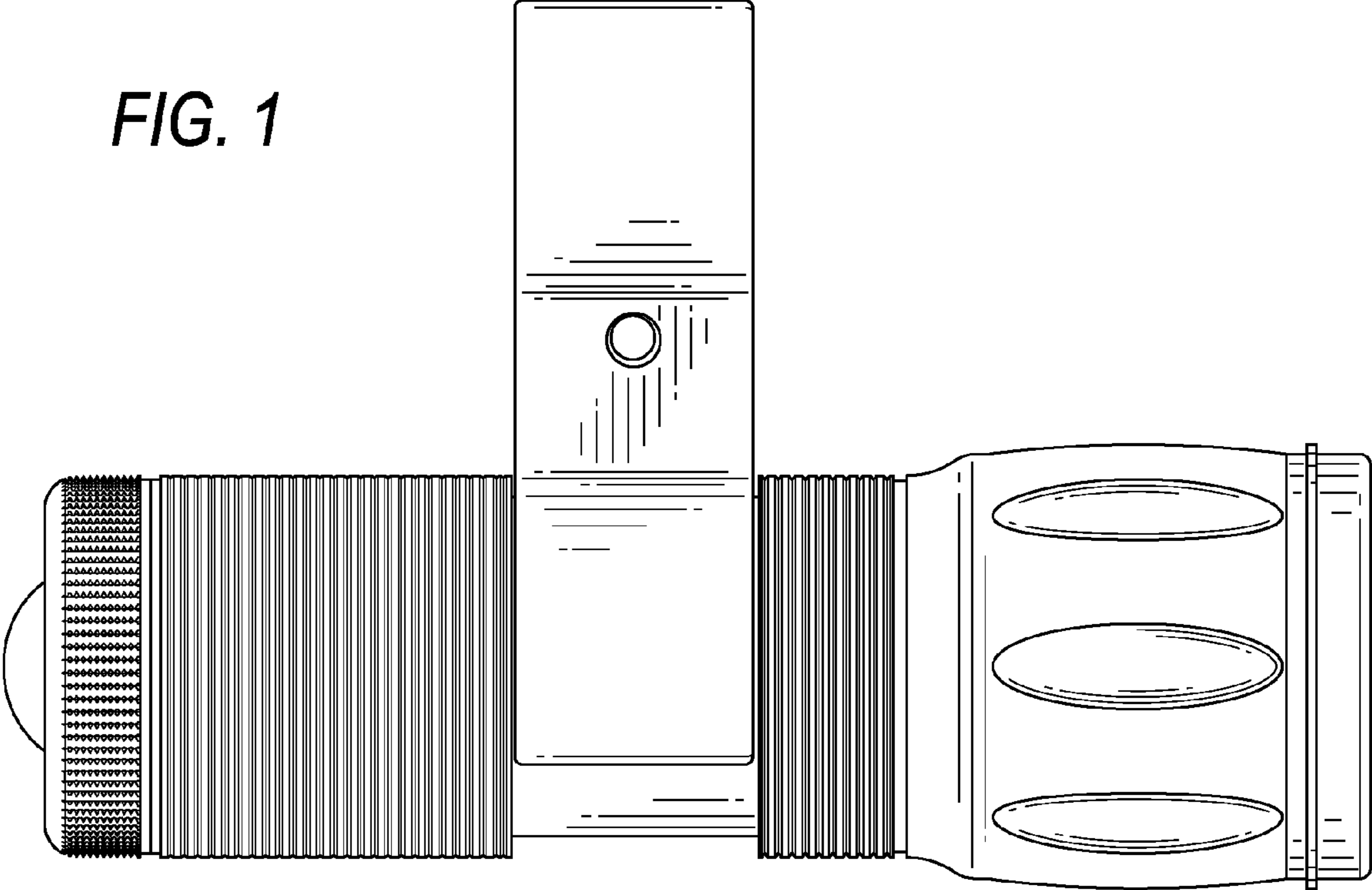
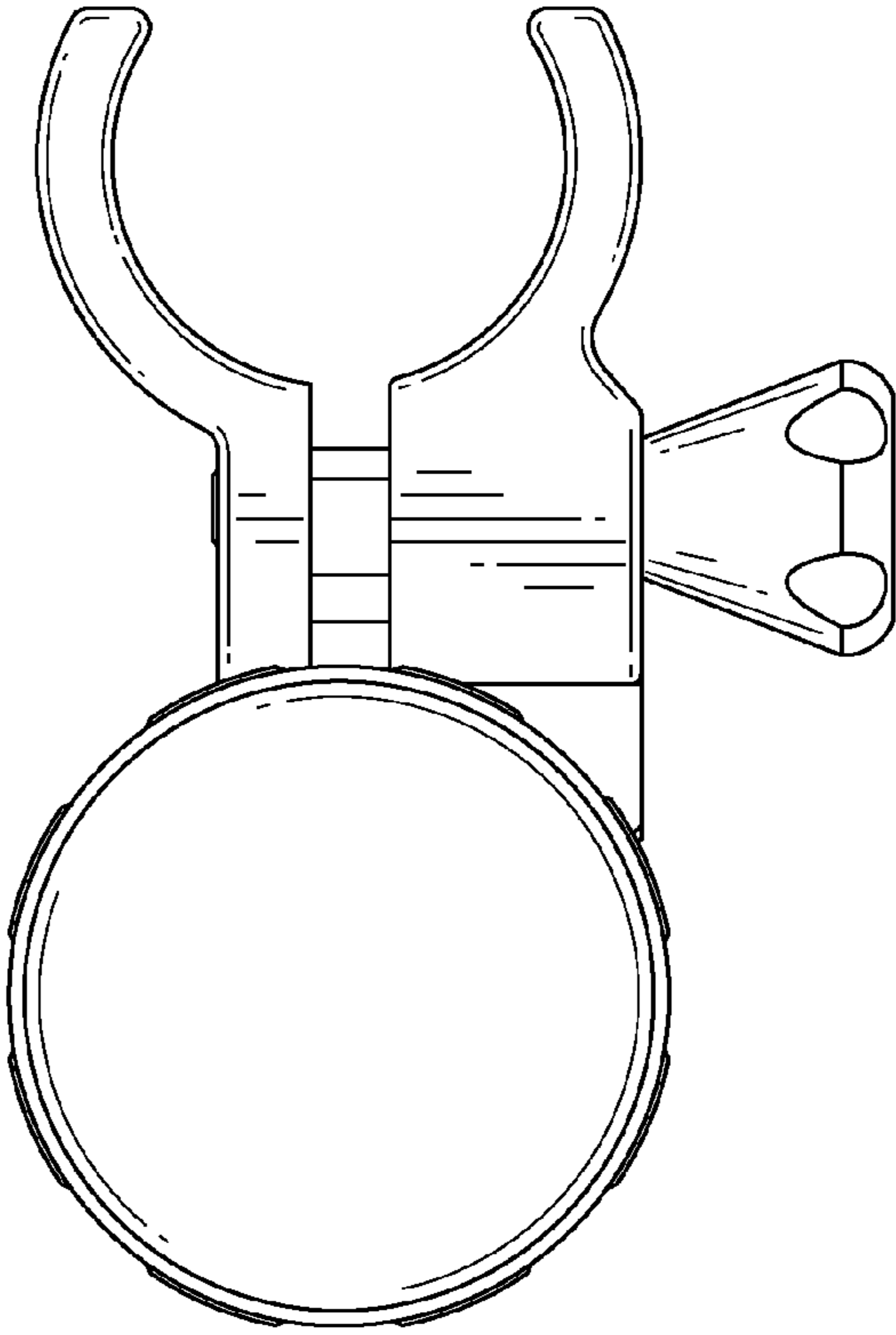


FIG. 2



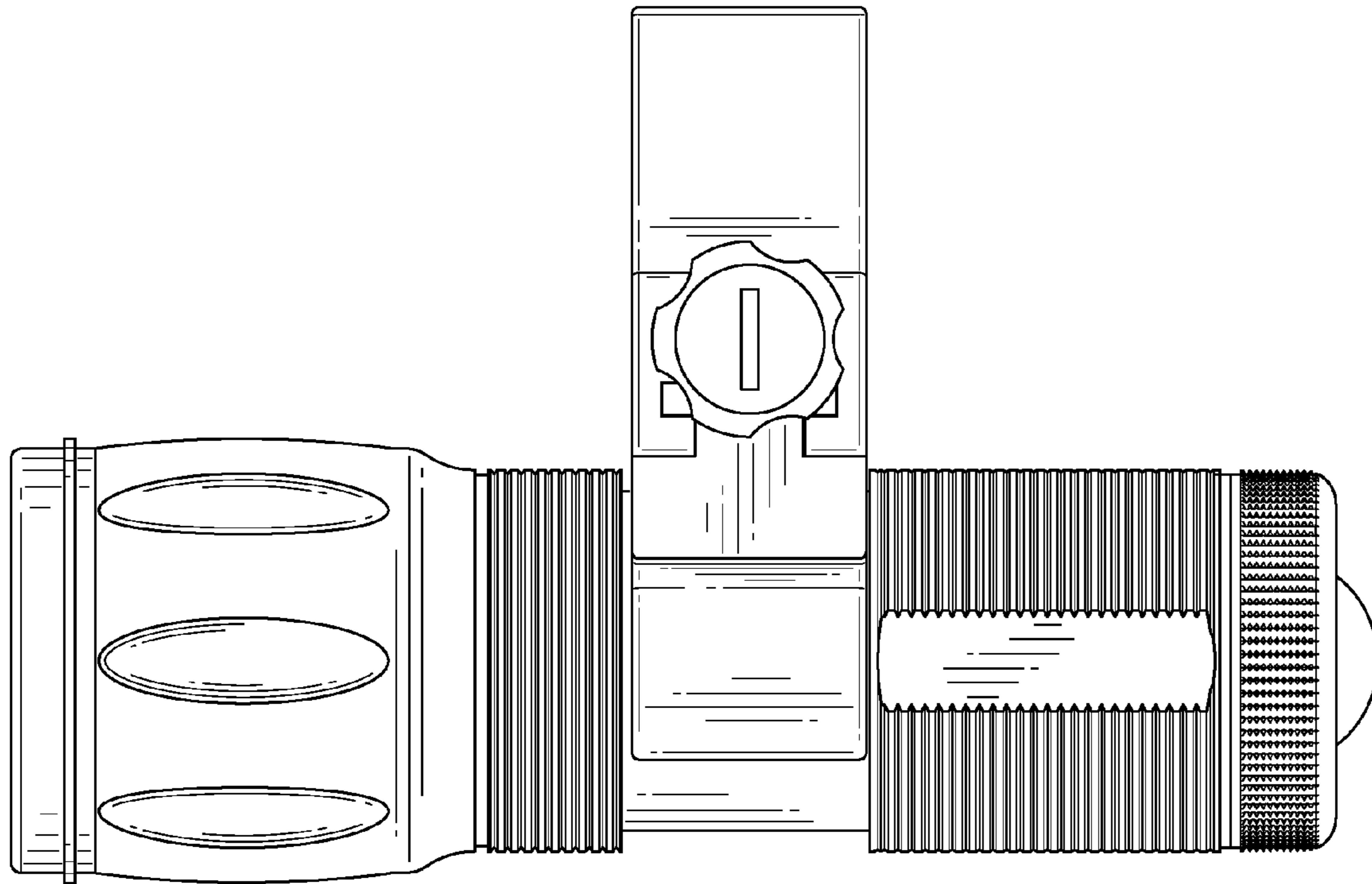


FIG. 3

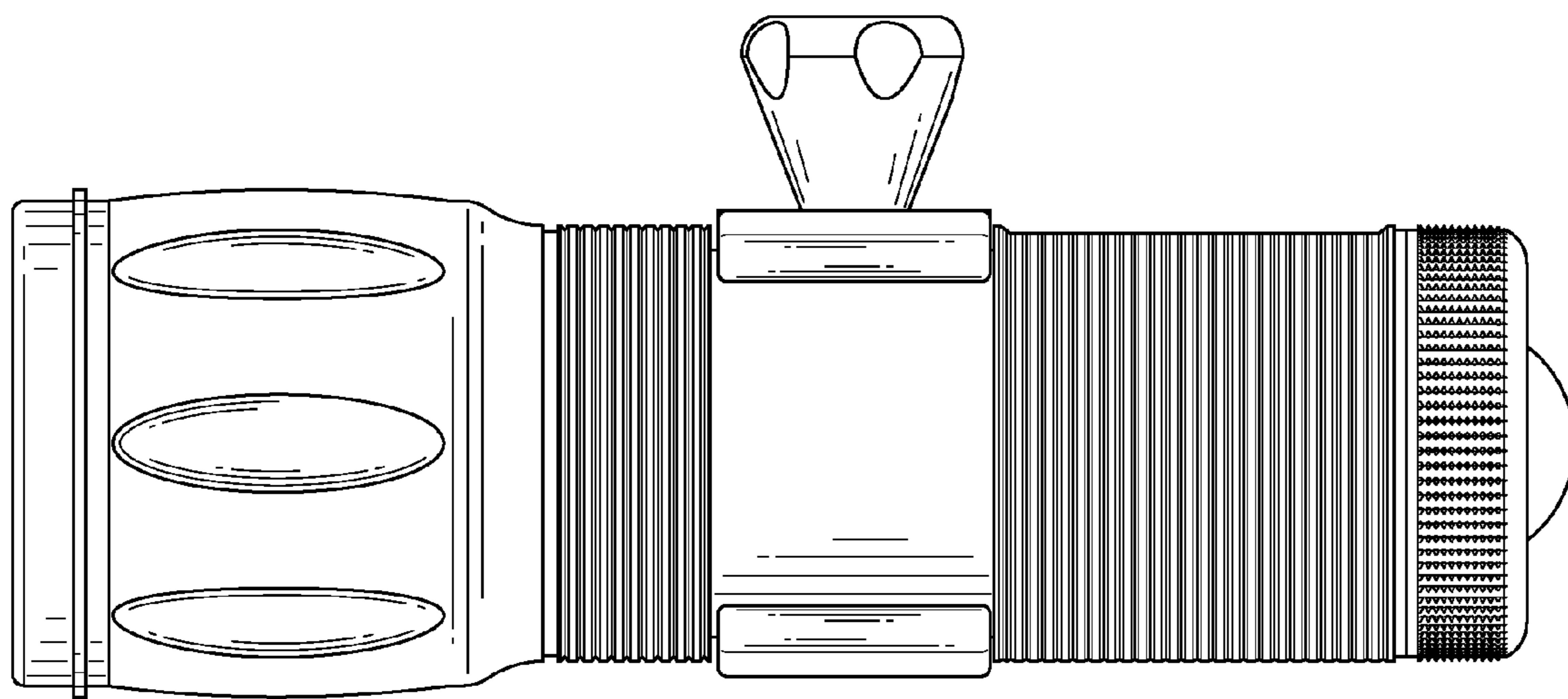


FIG. 4

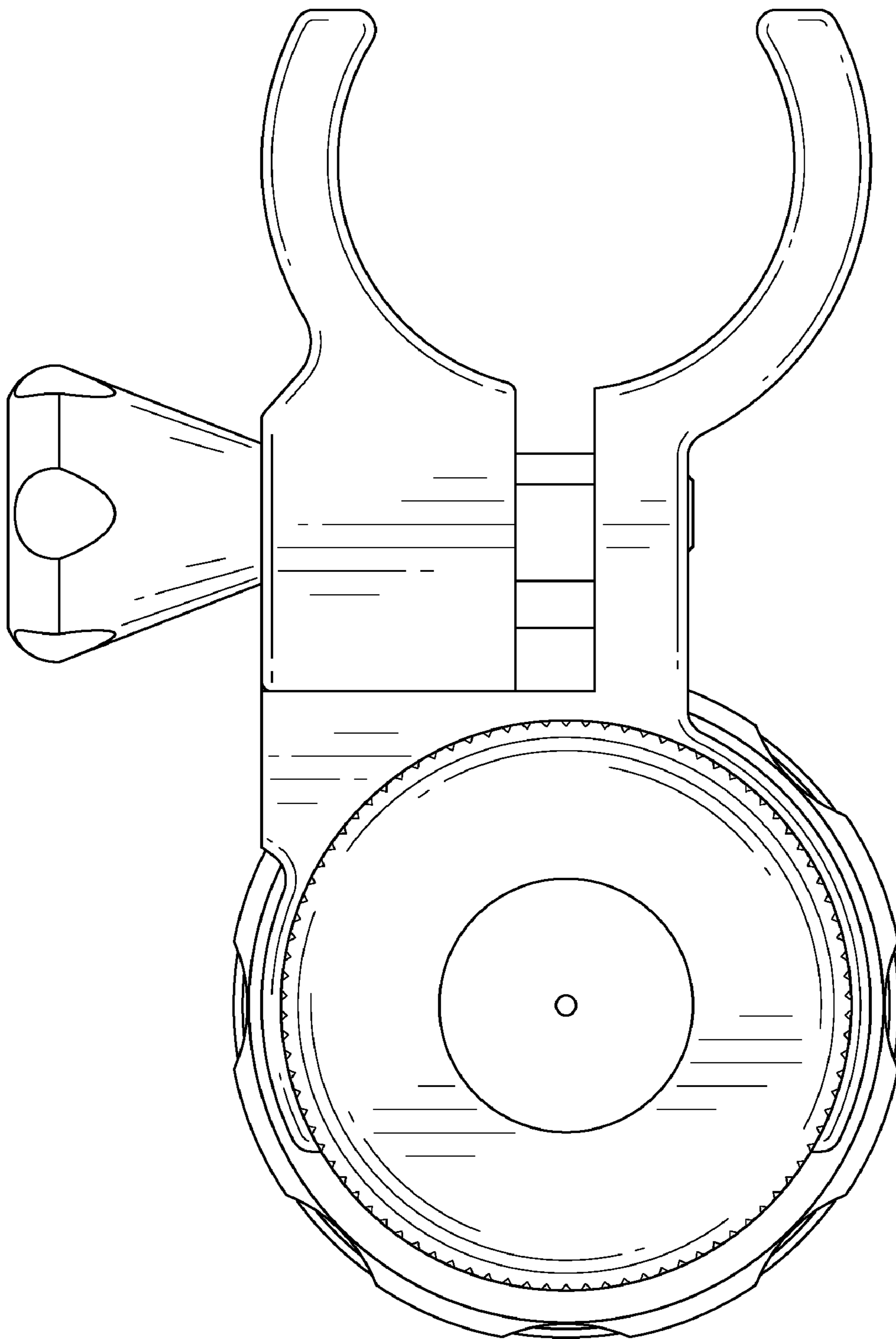


FIG. 5

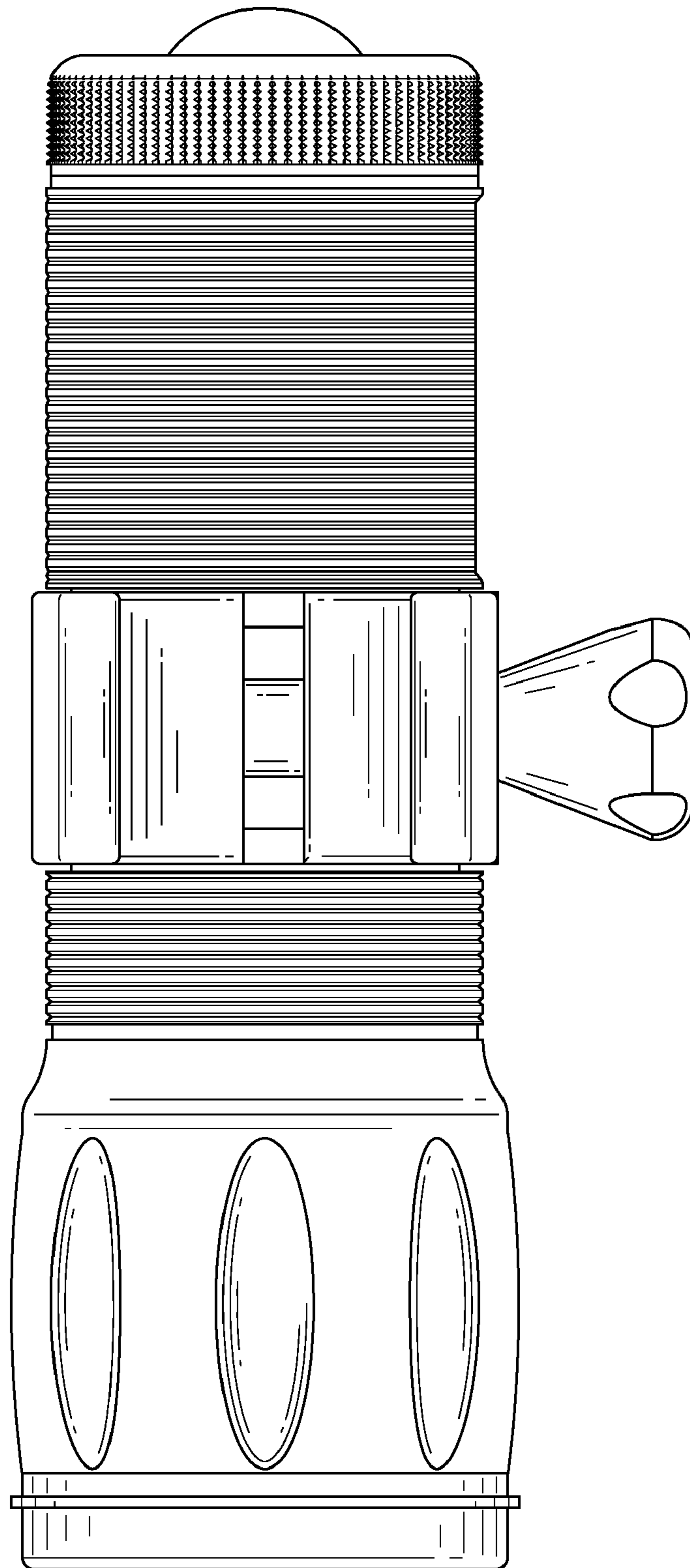


FIG. 6

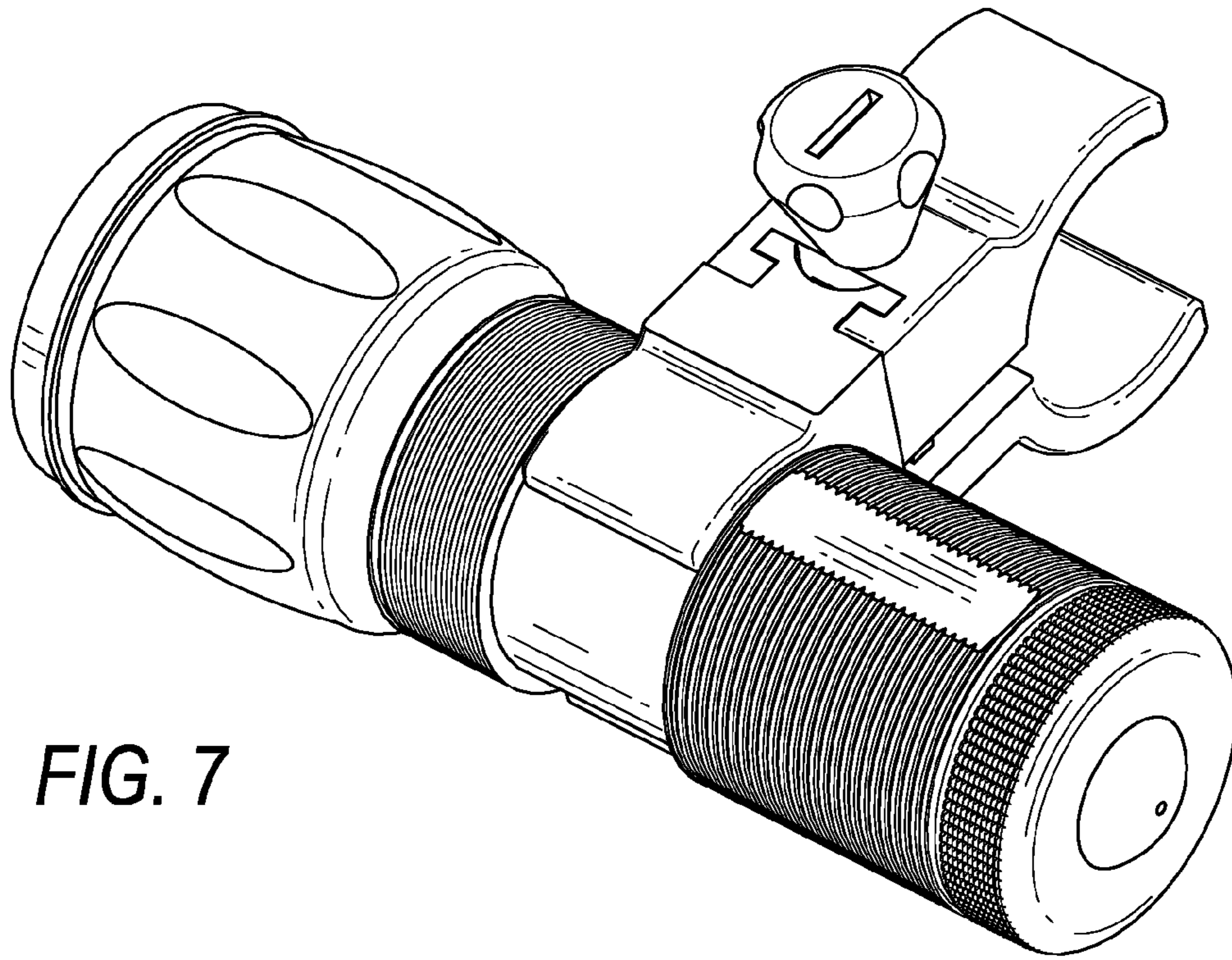


FIG. 7

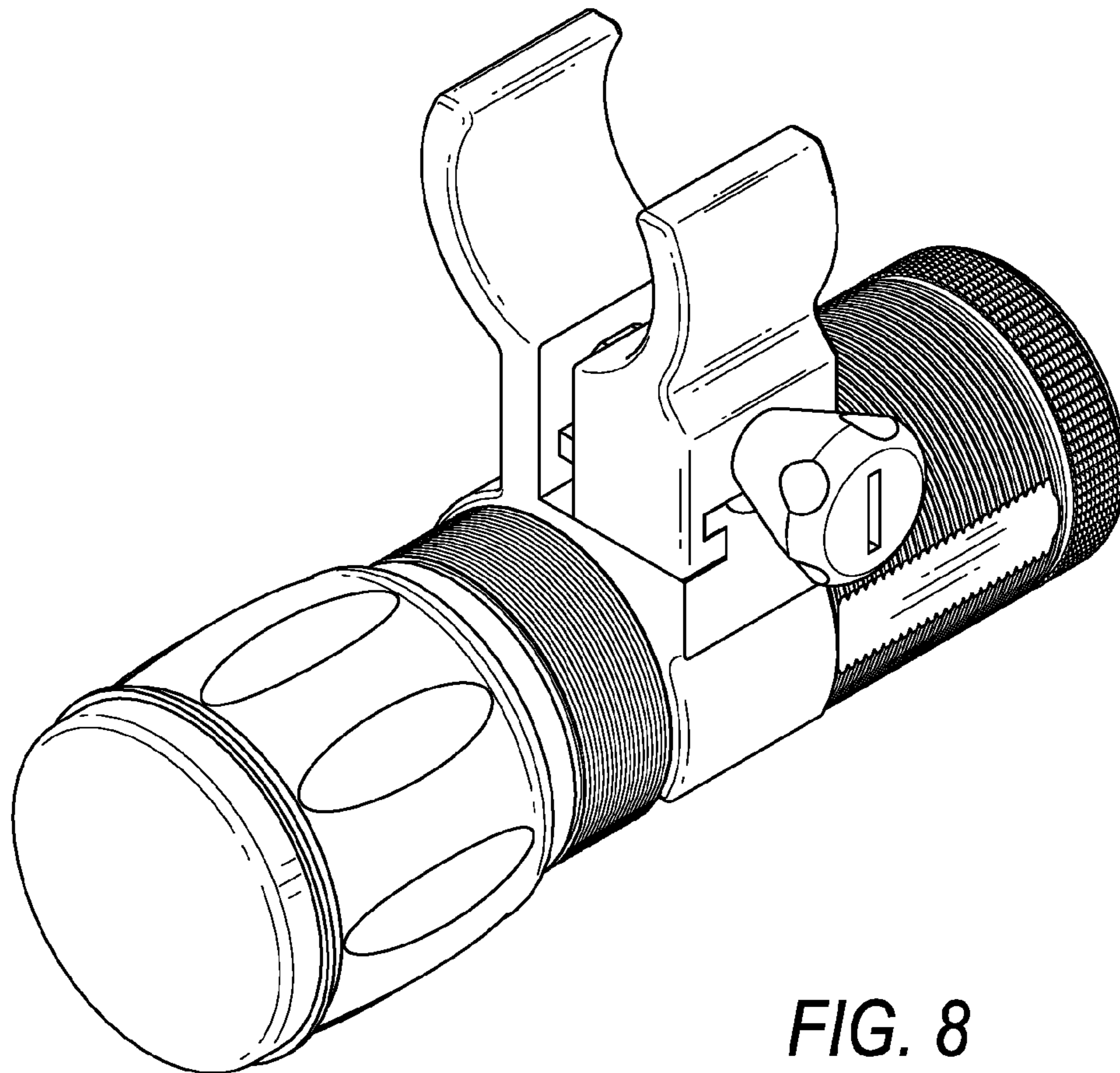


FIG. 8