



US00D585514S

(12) **United States Design Patent**
Cresswell

(10) **Patent No.:** **US D585,514 S**
(45) **Date of Patent:** **** Jan. 27, 2009**

(54) **SINGLE SCUBA TANK ADAPTOR**

(76) Inventor: **Gary A. Cresswell**, 49 Haven Rd.,
Plymouth, MA (US) 02360

(**) Term: **14 Years**

(21) Appl. No.: **29/286,501**

(22) Filed: **May 7, 2007**

(51) **LOC (9) Cl.** **21-02**

(52) **U.S. Cl.** **D21/804**

(58) **Field of Classification Search** D21/801,
D21/803-805; D8/354, 349, 373; 248/313;
224/628, 250, 934, 907, 240, 660, 662-664,
224/671, 673, 246; D23/205, 206; 405/186,
405/187

See application file for complete search history.

(56) **References Cited**

U.S. PATENT DOCUMENTS

2,943,775	A	7/1960	Mack	
3,174,664	A	3/1965	Hue	
3,891,131	A *	6/1975	Tabata	224/628
3,957,183	A	5/1976	Gadberry	
4,310,110	A	1/1982	Dexter	
4,690,314	A	9/1987	Faulconer et al.	
4,889,306	A	12/1989	Boucher	
D319,778	S *	9/1991	Ziaylek, Jr.	D8/373
5,516,233	A *	5/1996	Courtney	405/186
5,579,967	A	12/1996	Berg	
5,906,302	A	5/1999	Spergel	
5,913,467	A	6/1999	Berg	
D415,013	S	10/1999	Griffiths	
6,183,164	B1 *	2/2001	Canella	405/186

D444,697	S	7/2001	Kim	
6,367,753	B1	4/2002	Berg	
6,409,429	B1	6/2002	Belloni	
D468,792	S	1/2003	Jacoway et al.	
D500,545	S *	1/2005	Griffiths	D21/804
6,857,820	B2	2/2005	Jacoway et al.	
6,926,243	B1	8/2005	Ziaylek et al.	
D523,920	S	6/2006	Cresswell	

* cited by examiner

Primary Examiner—Janice E Seeger

Assistant Examiner—Zenia I Bennett

(74) *Attorney, Agent, or Firm*—John P. McGonagle

(57) **CLAIM**

The ornamental design for a single scuba tank adaptor, as shown and described.

DESCRIPTION

FIG. 1 is a rear perspective view of a single scuba tank adaptor embodying my new design attached to a scuba tank backplate, wherein the scuba tank backplate, single tank and tank holding harness are shown in broken lines for illustrative purposes only and form no part of the claimed design;

FIG. 2 is a rear perspective view thereof;

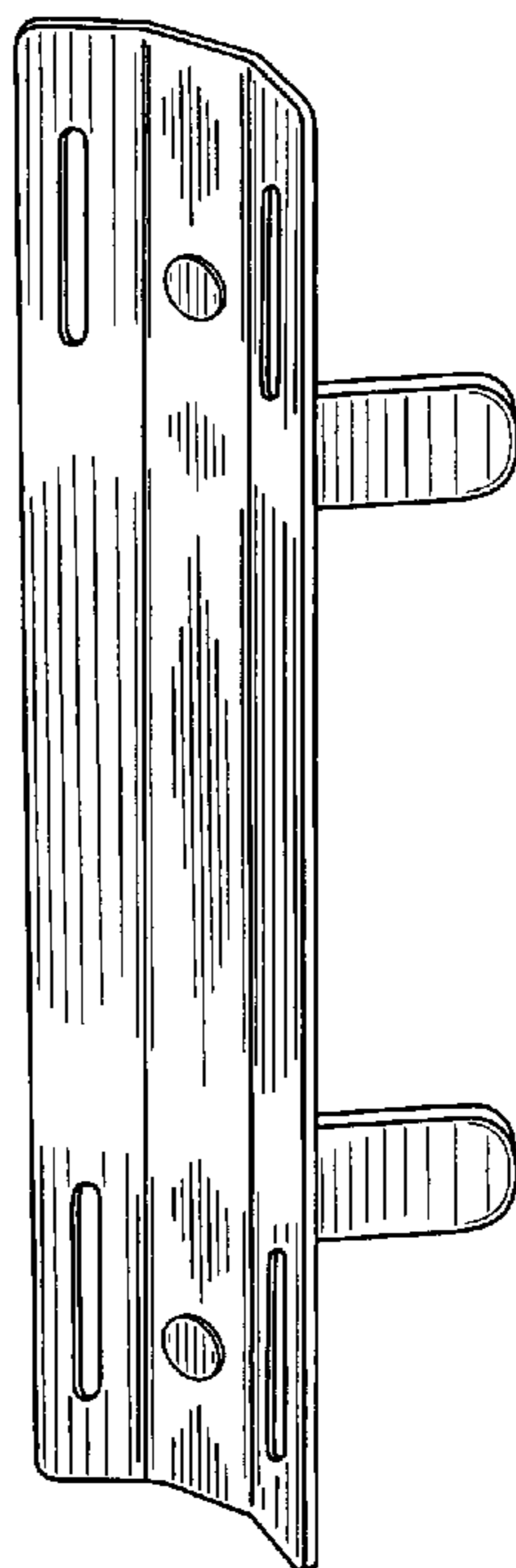
FIG. 3 is a rear view thereof;

FIG. 4 is a side view thereof, the opposite side being a mirror image thereof;

FIG. 5 is a front view thereof; and,

FIG. 6 is a top view thereof, the bottom being a mirror image thereof.

1 Claim, 2 Drawing Sheets



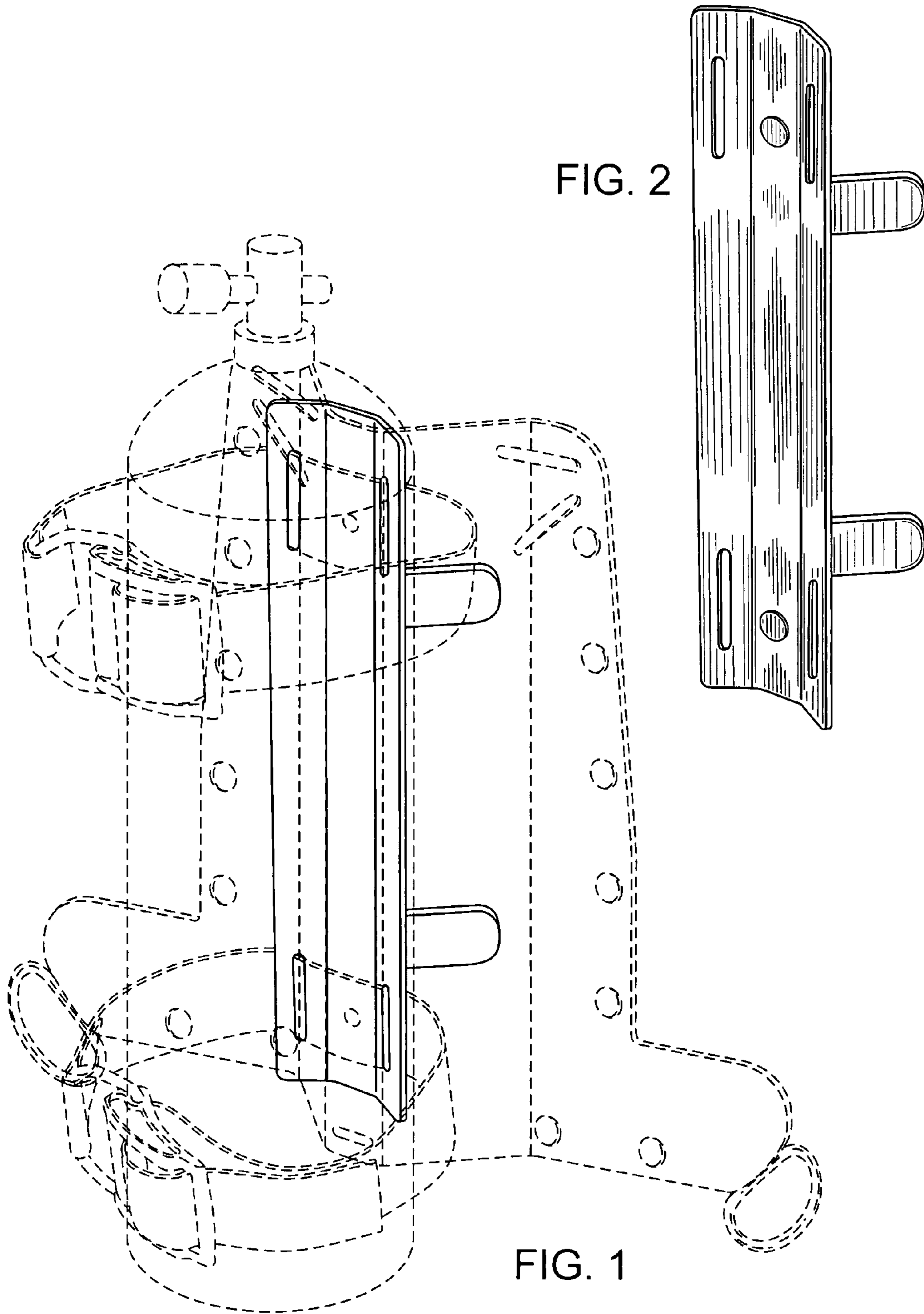


FIG. 2

FIG. 1

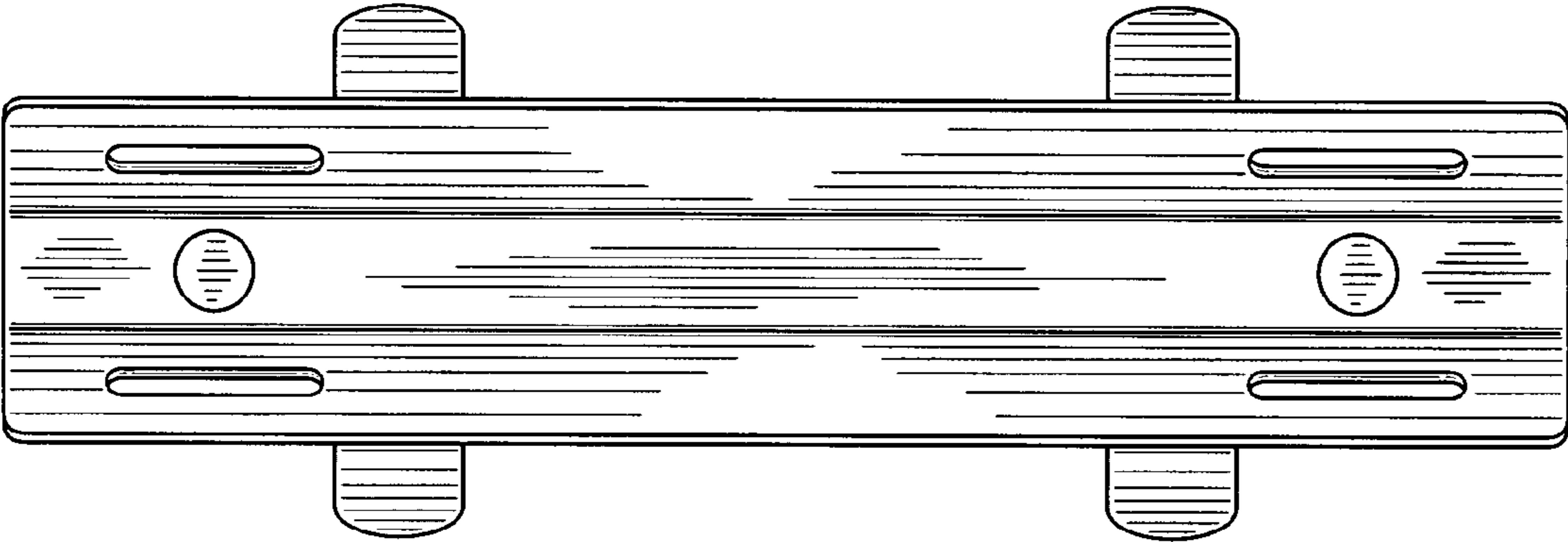


FIG. 3

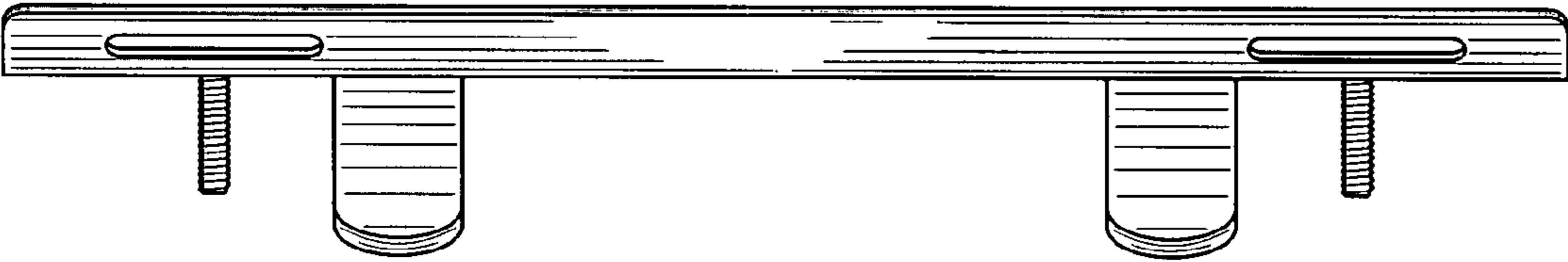


FIG. 4

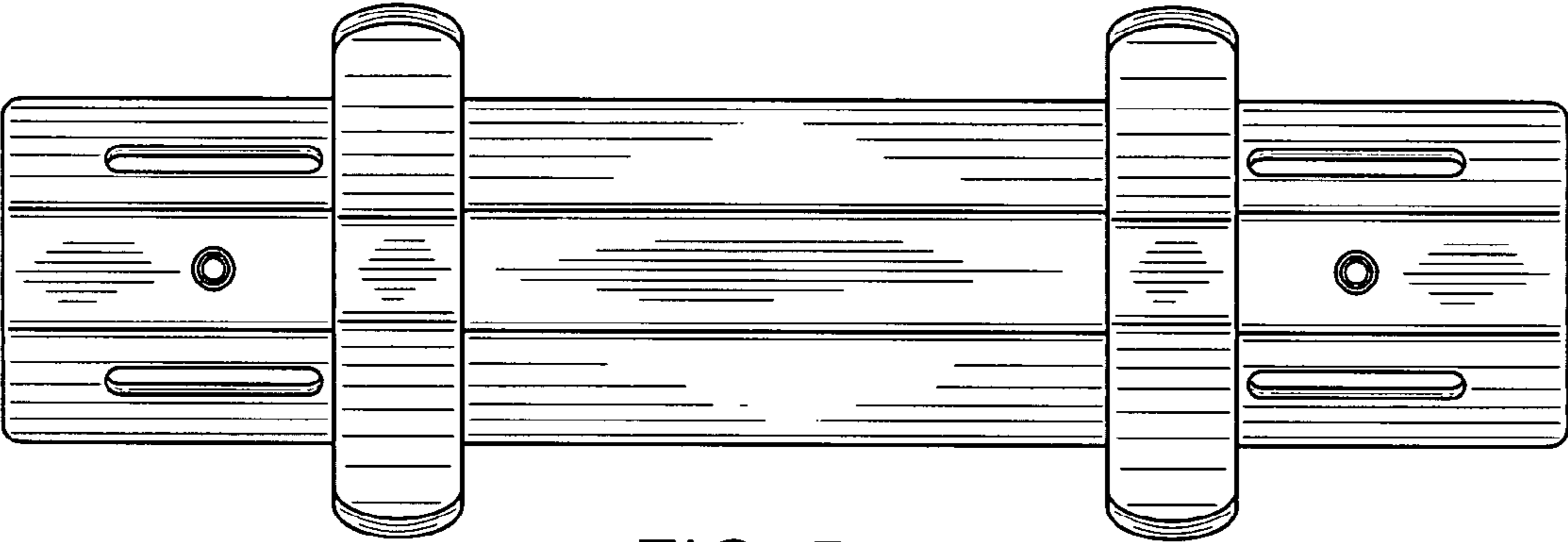


FIG. 5

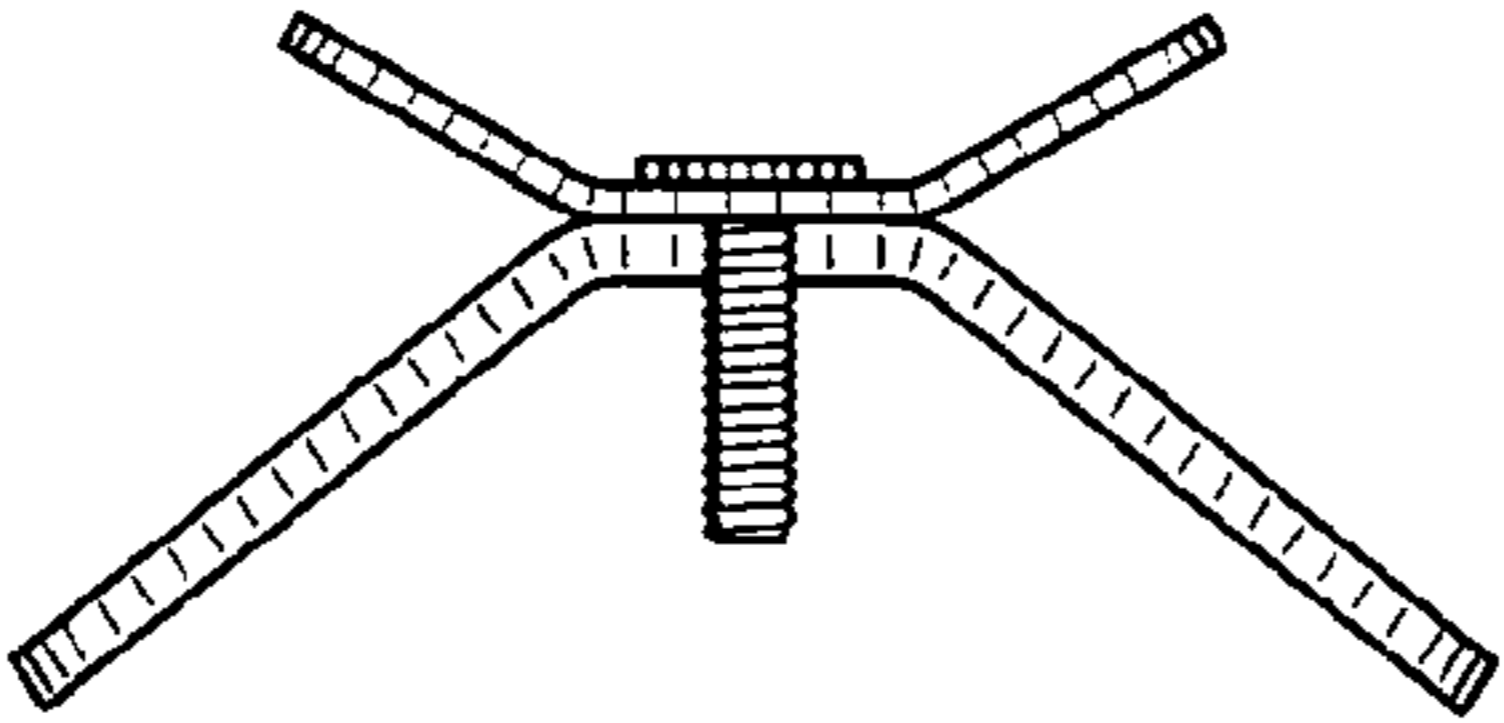


FIG. 6