



US00D585511S

(12) **United States Design Patent**
Cameron

(10) **Patent No.:** **US D585,511 S**

(45) **Date of Patent:** **** Jan. 27, 2009**

(54) **PUTTER HEAD**

(75) **Inventor:** **Don T. Cameron**, Carlsbad, CA (US)

(73) **Assignee:** **Acushnet Company**, Fairhaven, MA (US)

(**) **Term:** **14 Years**

(21) **Appl. No.:** **29/282,205**

(22) **Filed:** **Jul. 13, 2007**

(51) **LOC (9) Cl.** **21-02**

(52) **U.S. Cl.** **D21/743**

(58) **Field of Classification Search** D21/736-746,
D21/759; 473/324-331, 340, 341, 251-256
See application file for complete search history.

(56) **References Cited**

U.S. PATENT DOCUMENTS

D315,386 S *	3/1991	Alonso	D21/741
D472,594 S *	4/2003	Tang et al.	D21/735
D472,595 S *	4/2003	Tang et al.	D21/735
D483,824 S *	12/2003	Tang et al.	D21/738
D510,395 S *	10/2005	Miraflor et al.	D21/759
D538,865 S *	3/2007	Cameron	D21/736

D548,296 S *	8/2007	Rollinson	D21/744
D559,930 S *	1/2008	Cameron	D21/746
2002/0123393 A1 *	9/2002	Tang et al.	473/340

* cited by examiner

Primary Examiner—Mitchell I Siegel

(74) *Attorney, Agent, or Firm*—Kristin D. Wheeler

(57) **CLAIM**

The ornamental design for a putter head, as shown and described.

DESCRIPTION

FIG. 1 is a top perspective view of my new design for a putter head;

FIG. 2 is a bottom perspective view thereof;

FIG. 3 is a top view thereof;

FIG. 4 is a bottom view thereof;

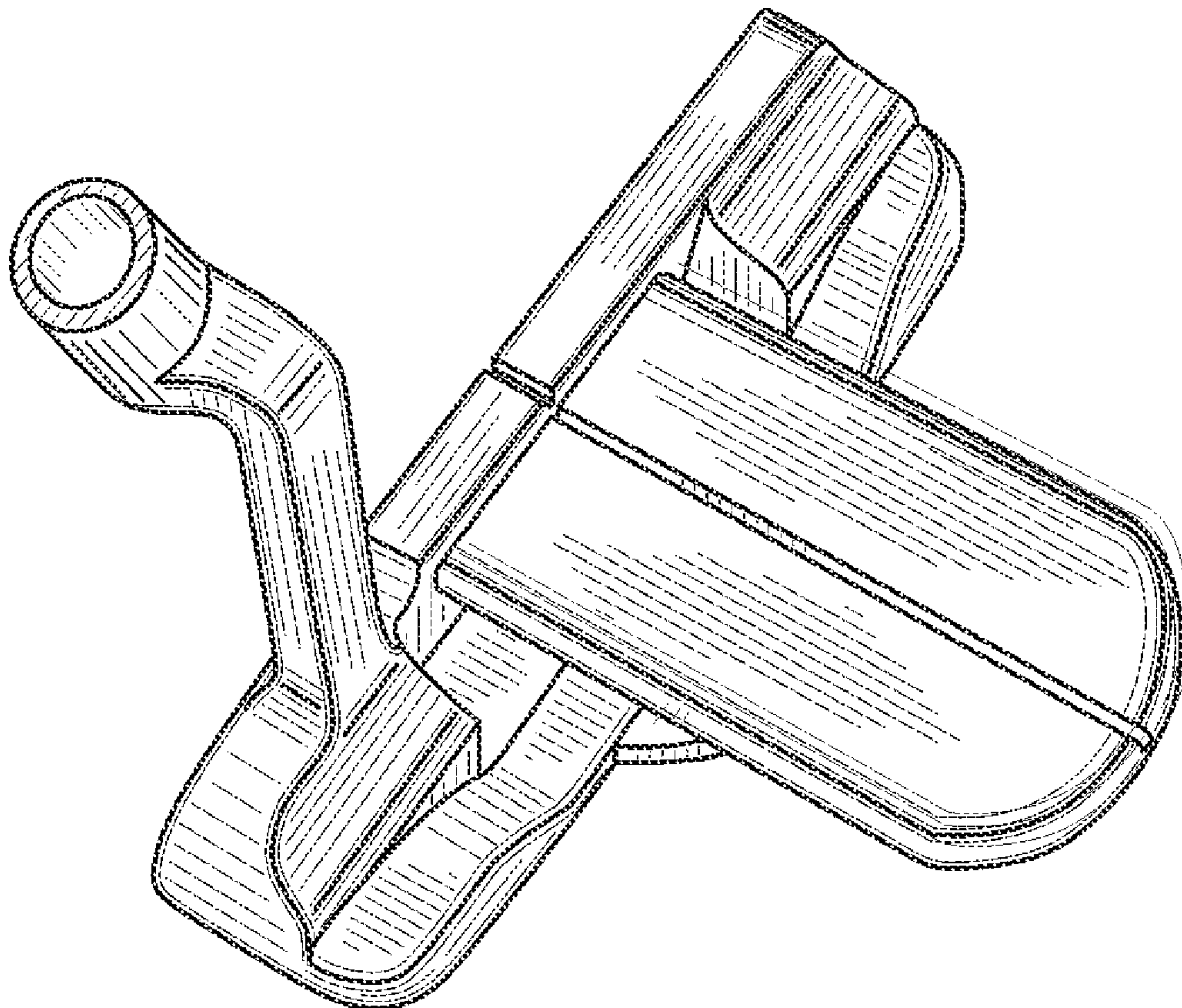
FIG. 5 is a back view thereof;

FIG. 6 is a front view thereof;

FIG. 7 is a heel side view thereof; and,

FIG. 8 is a toe side view thereof.

1 Claim, 4 Drawing Sheets



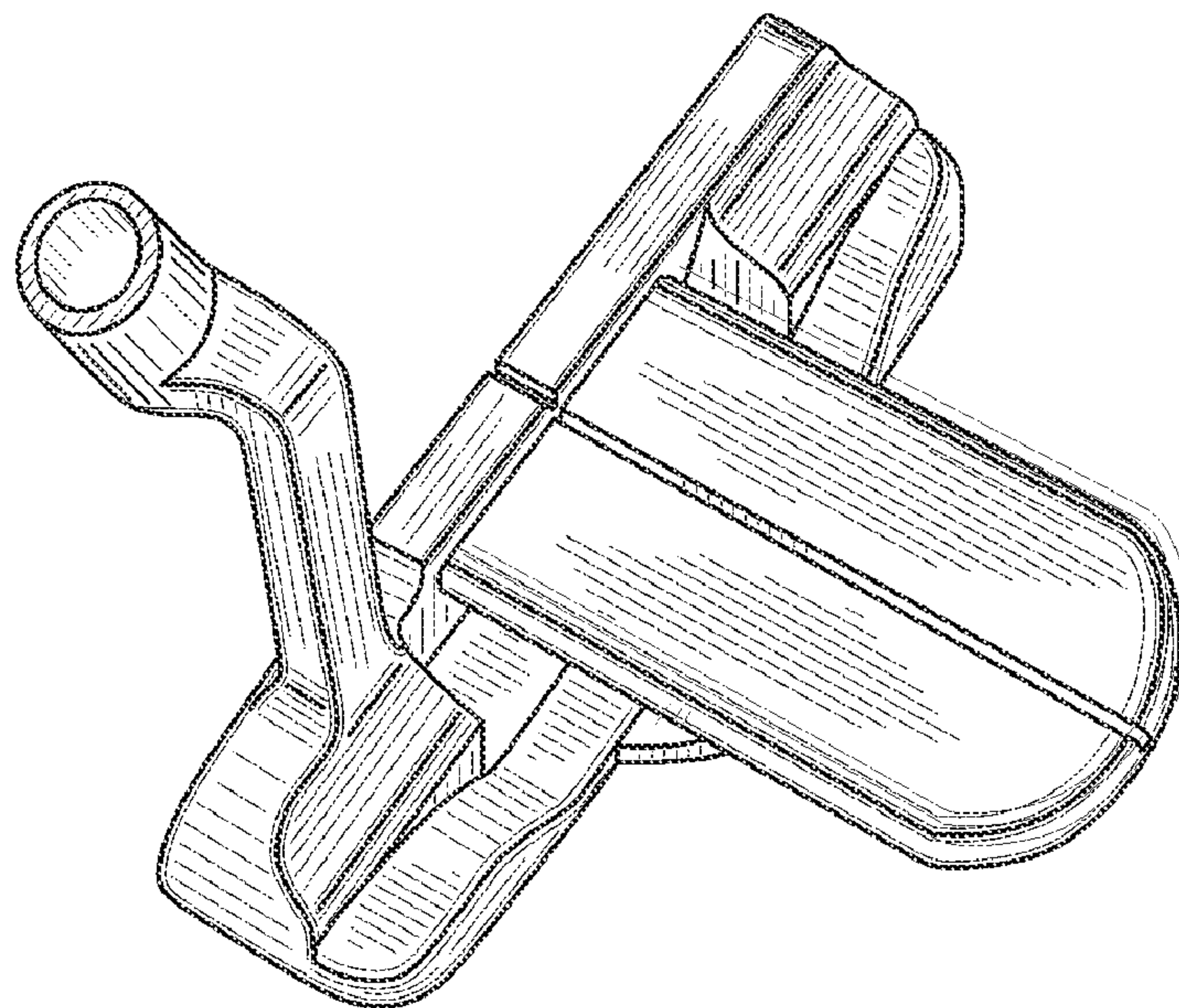


FIG. 1

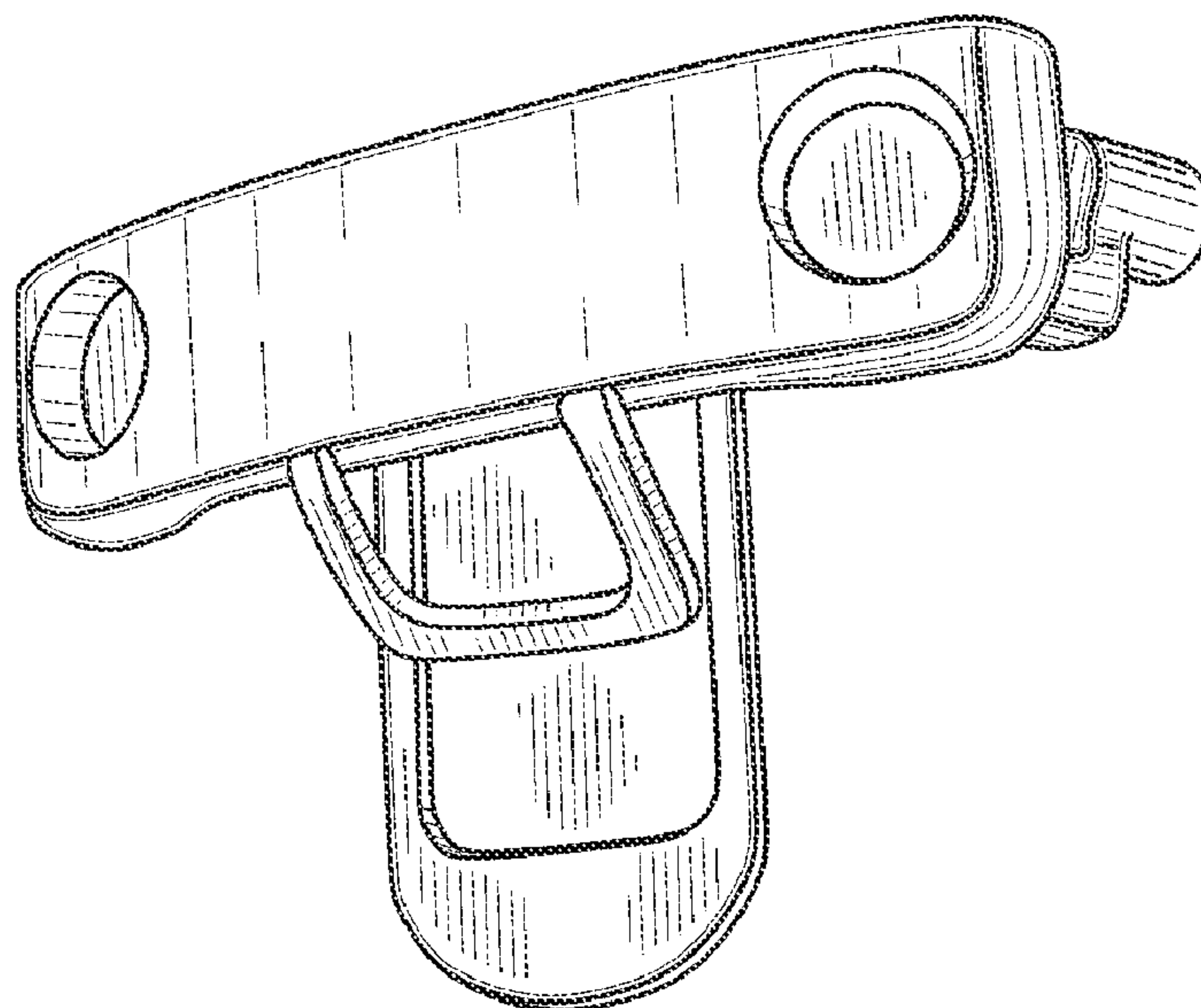


FIG. 2

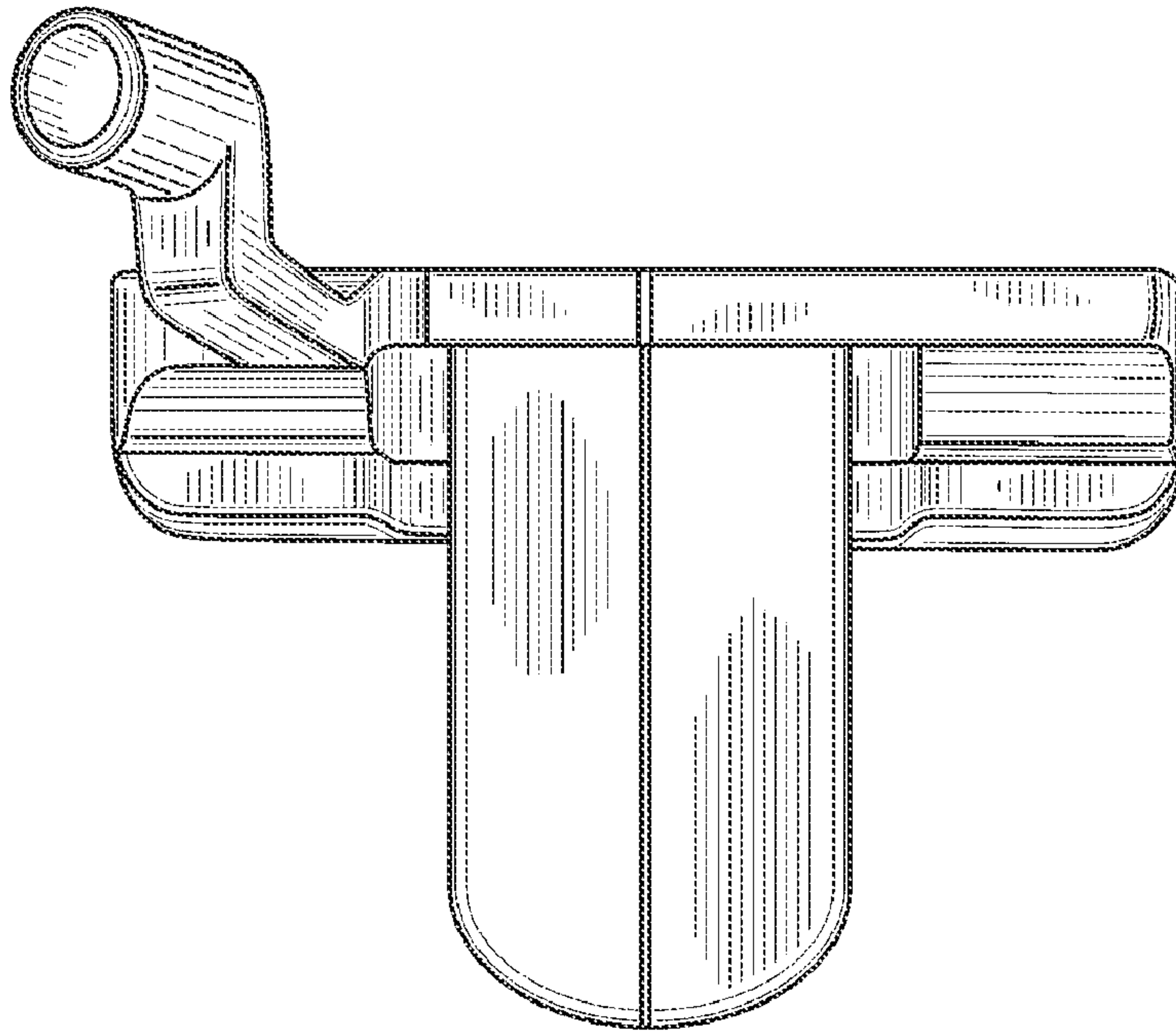


FIG. 3

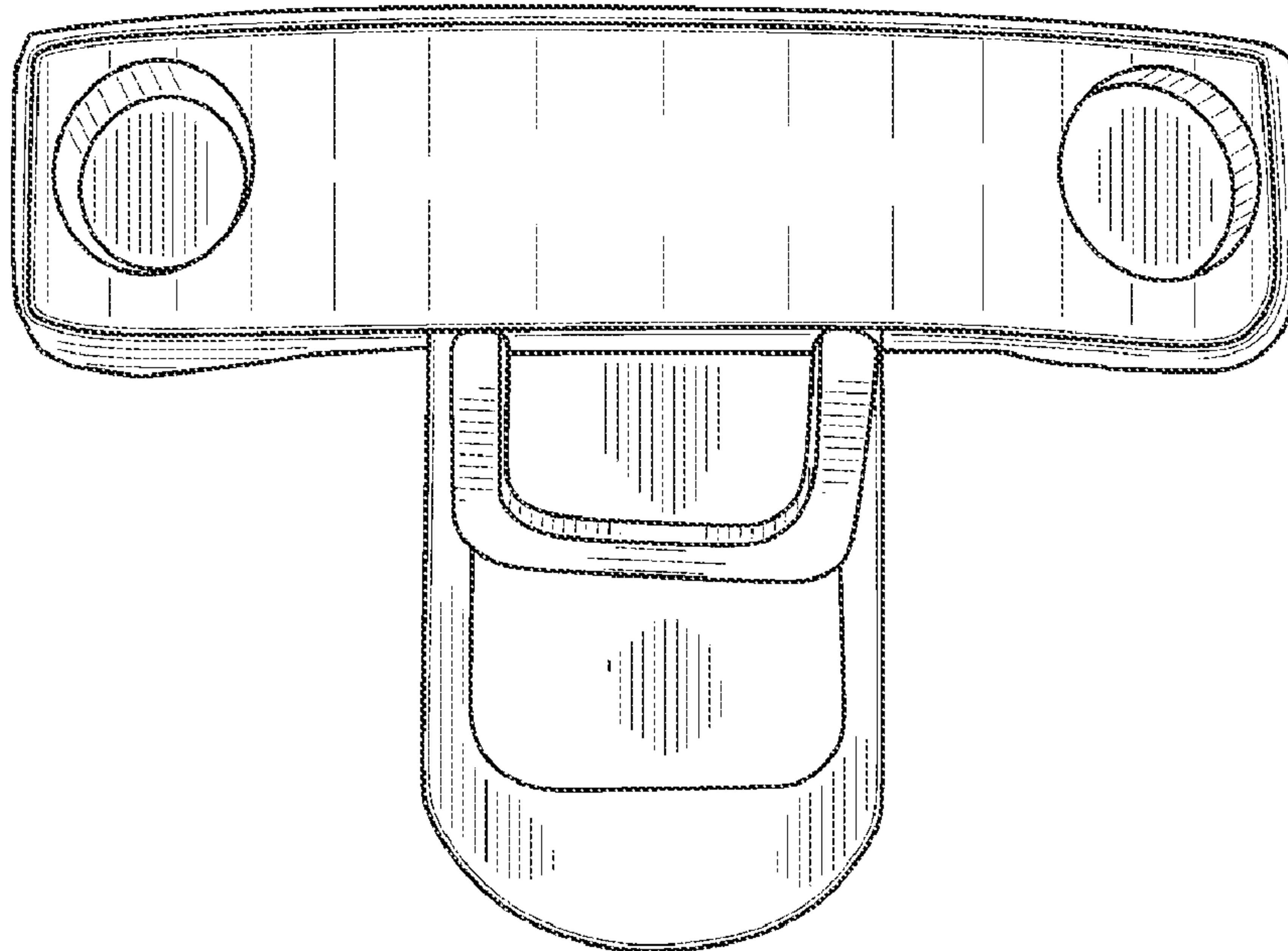


FIG. 4

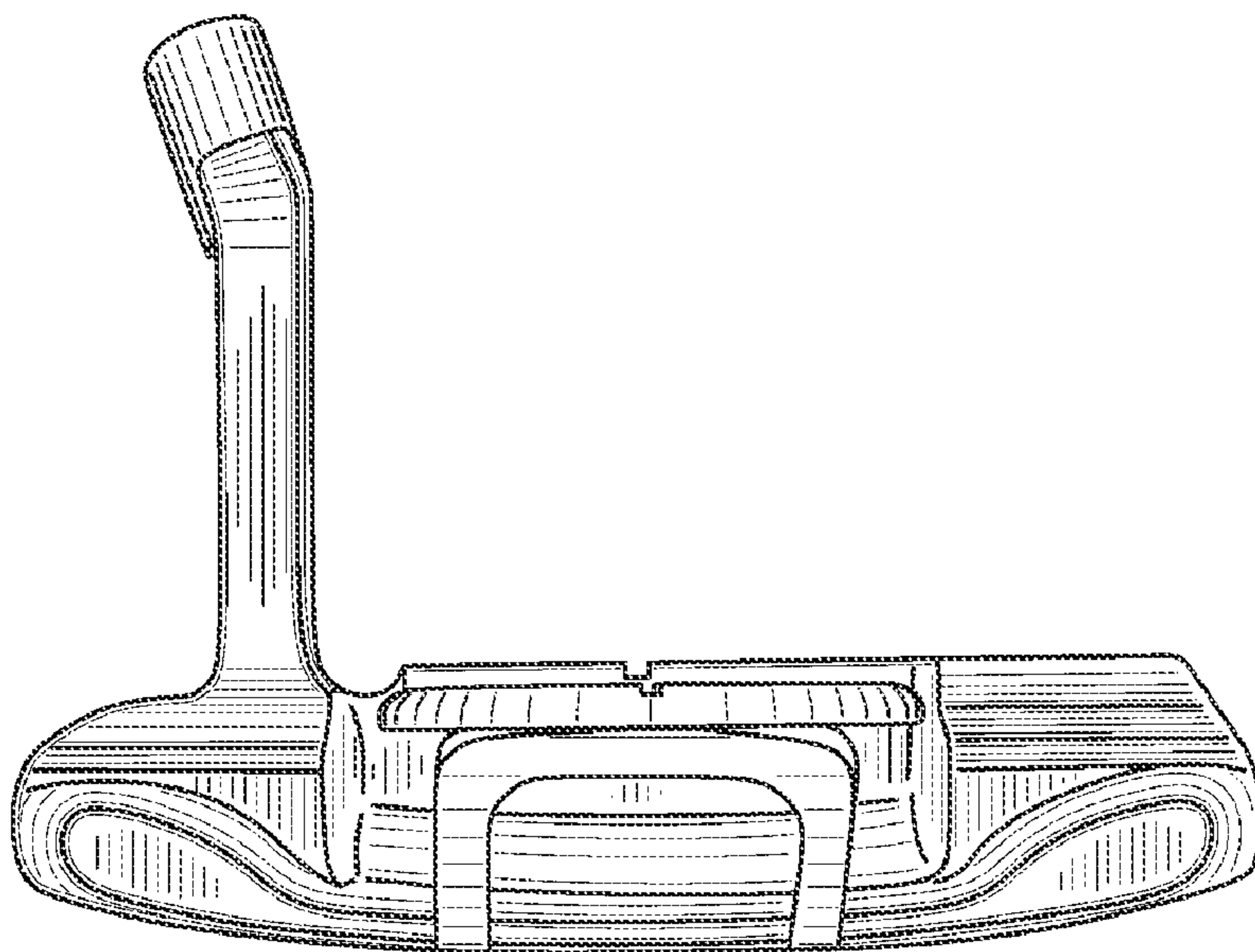


FIG. 5

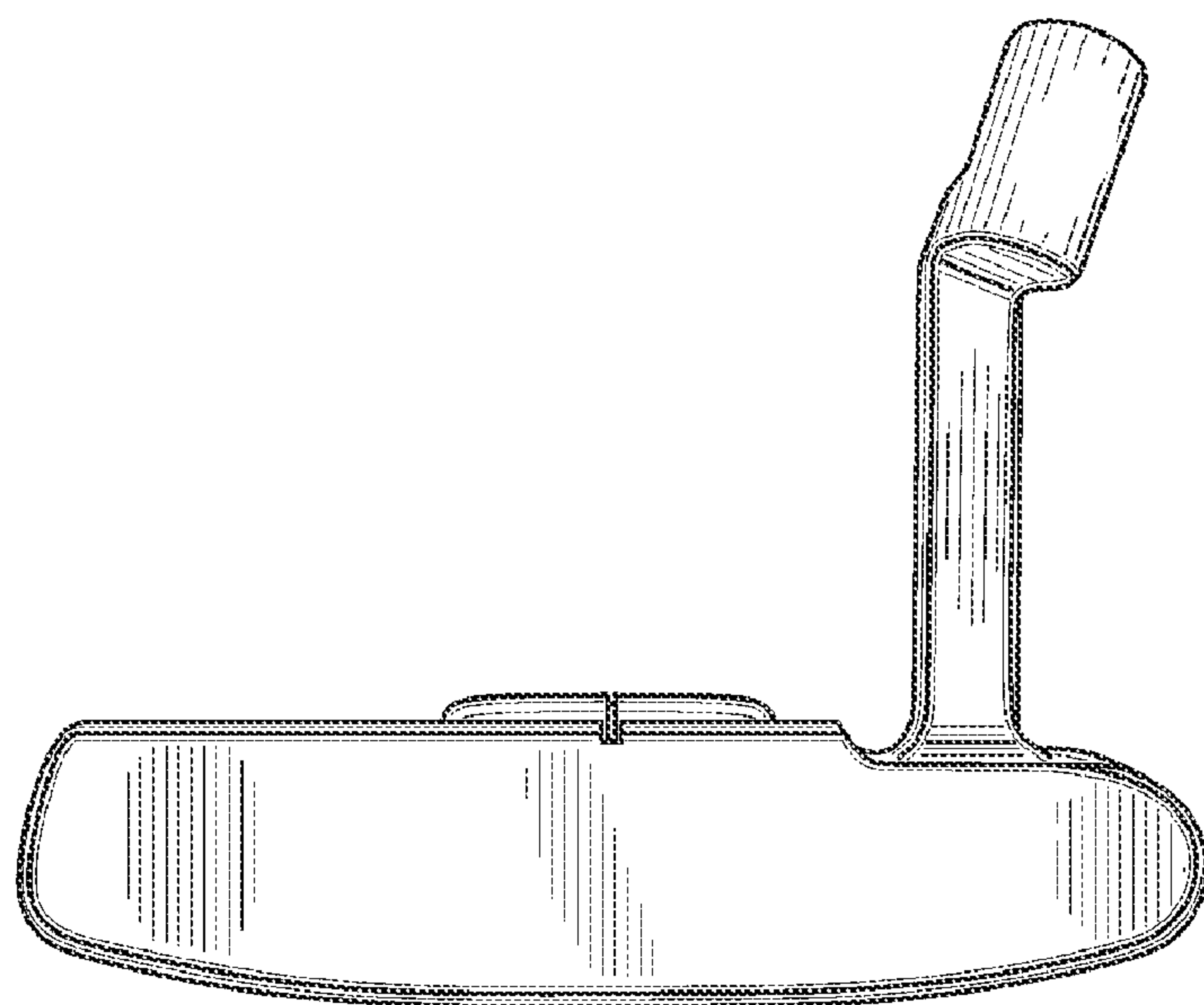


FIG. 6

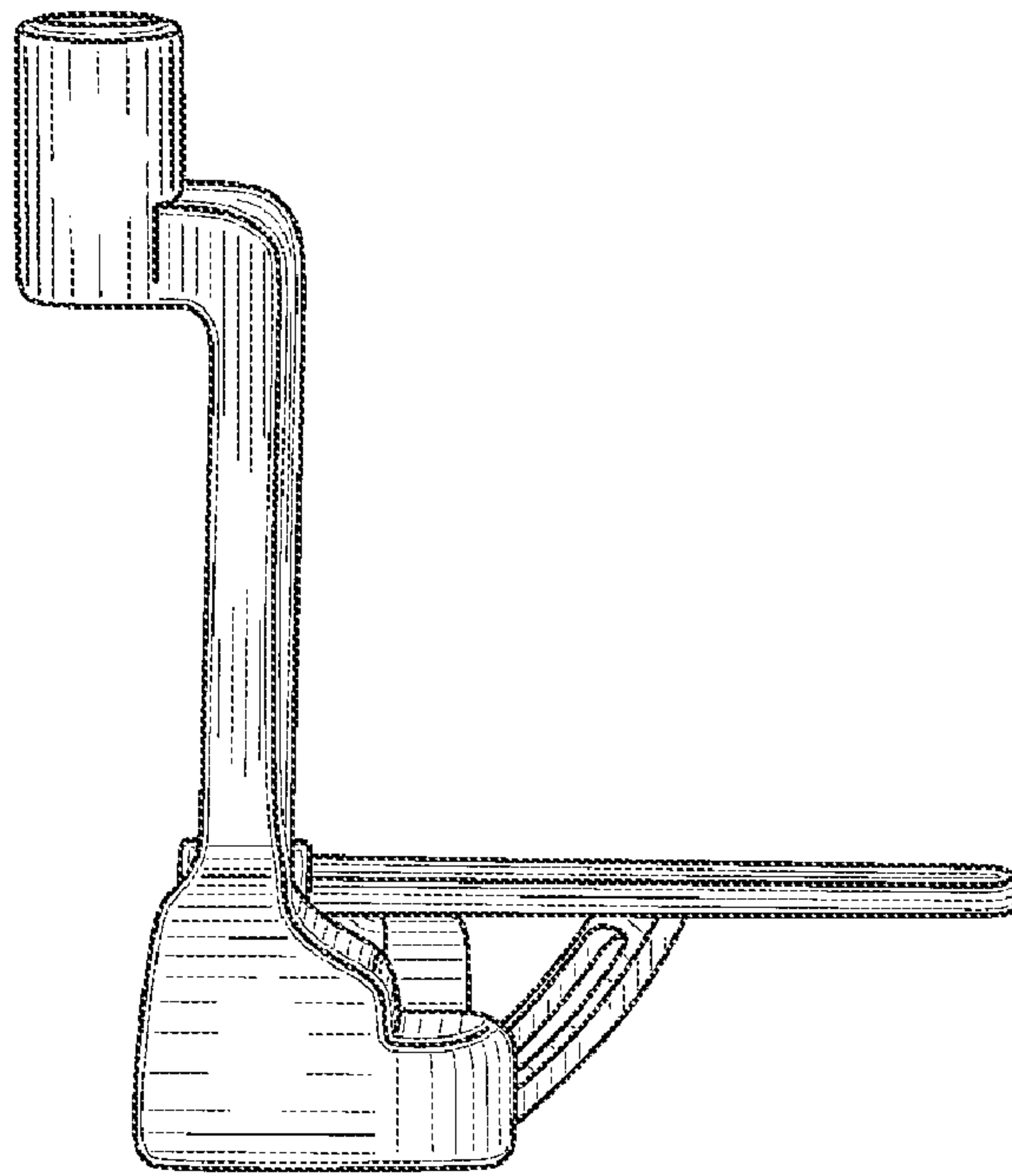


FIG. 7

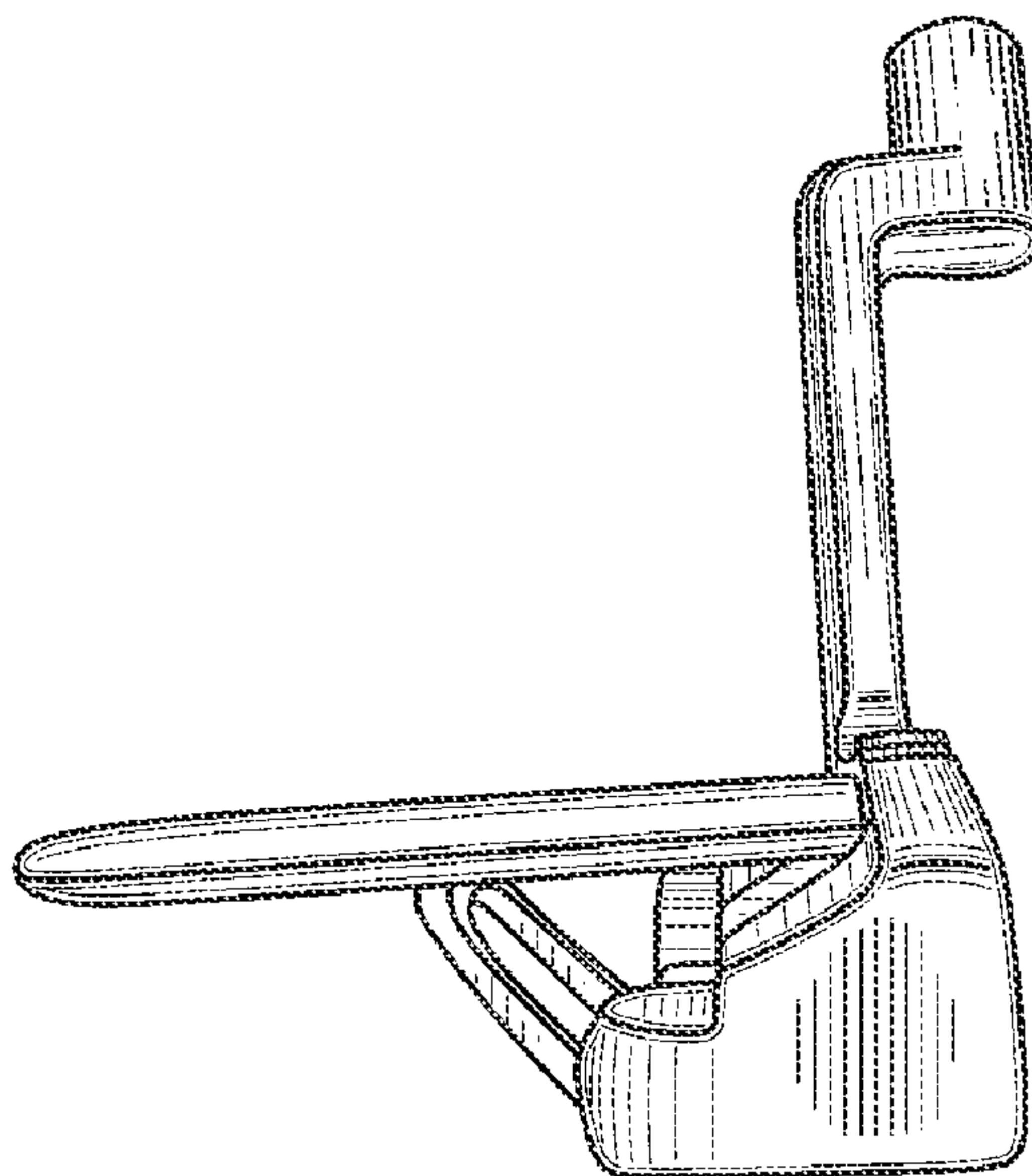


FIG. 8