



US00D585510S

(12) **United States Design Patent**
Murrieta

(10) **Patent No.:** **US D585,510 S**

(45) **Date of Patent:** **** *Jan. 27, 2009**

(54) **PUTTER**

D388,853 S * 1/1998 Minami D21/745
D475,102 S * 5/2003 Flowers D21/736

(76) Inventor: **Robert G. Murrieta**, 10102 W. Medlock Dr., Glendale, AZ (US) 85307

* cited by examiner

(*) Notice: This patent is subject to a terminal disclaimer.

Primary Examiner—Mitchell I Siegel
(74) *Attorney, Agent, or Firm*—Parsons & Goltry; Robert A. Parsons; Michael W. Goltry

(**) Term: **14 Years**

(57) **CLAIM**

(21) Appl. No.: **29/243,164**

The ornamental design for a putter, as shown.

(22) Filed: **Nov. 21, 2005**

DESCRIPTION

(51) **LOC (9) Cl.** **21-02**

(52) **U.S. Cl.** **D21/736**

(58) **Field of Classification Search** D21/735-746;
473/324-331, 340, 341, 251-256

FIG. 1 is perspective view of a putter showing my new design;

FIG. 2 is a perspective view of the putter of FIG. 1 with a shaft in broken outline;

FIG. 3 is a top plan view thereof;

FIG. 4 is a rear elevational view thereof; and,

FIG. 5 is a side elevation view thereof.

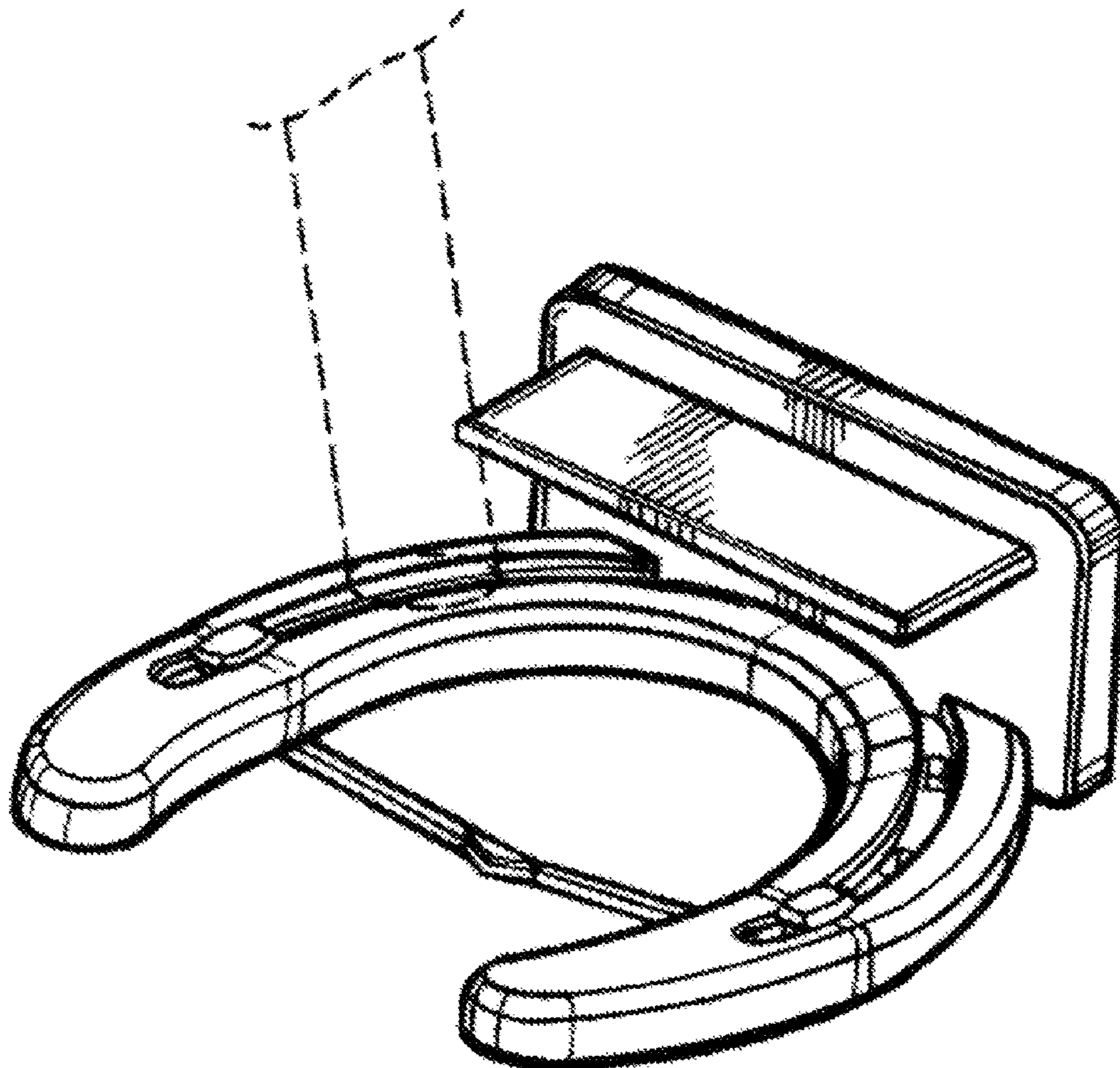
See application file for complete search history.

(56) **References Cited**

U.S. PATENT DOCUMENTS

D371,412 S * 7/1996 Howard D21/791

1 Claim, 2 Drawing Sheets



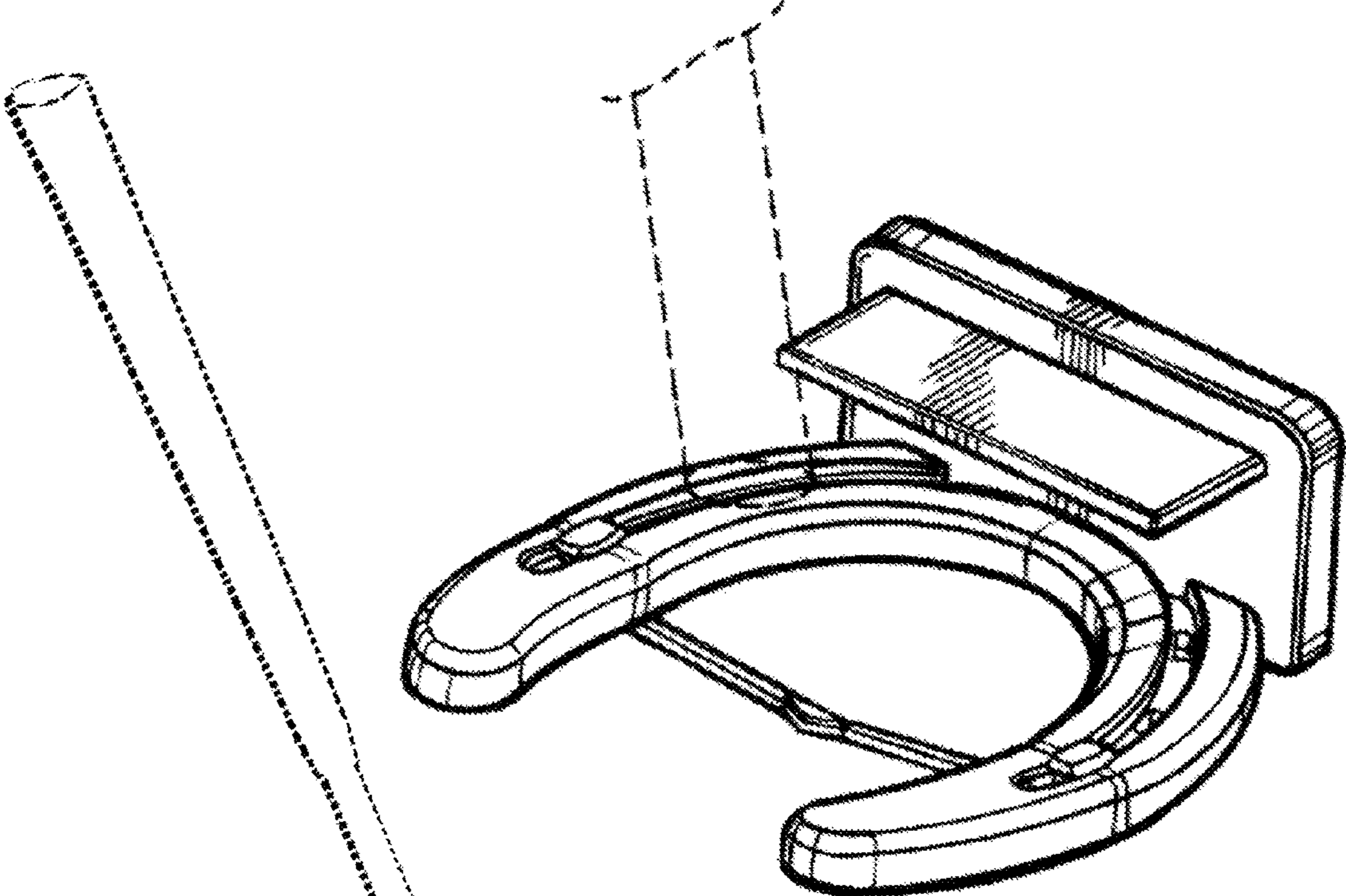
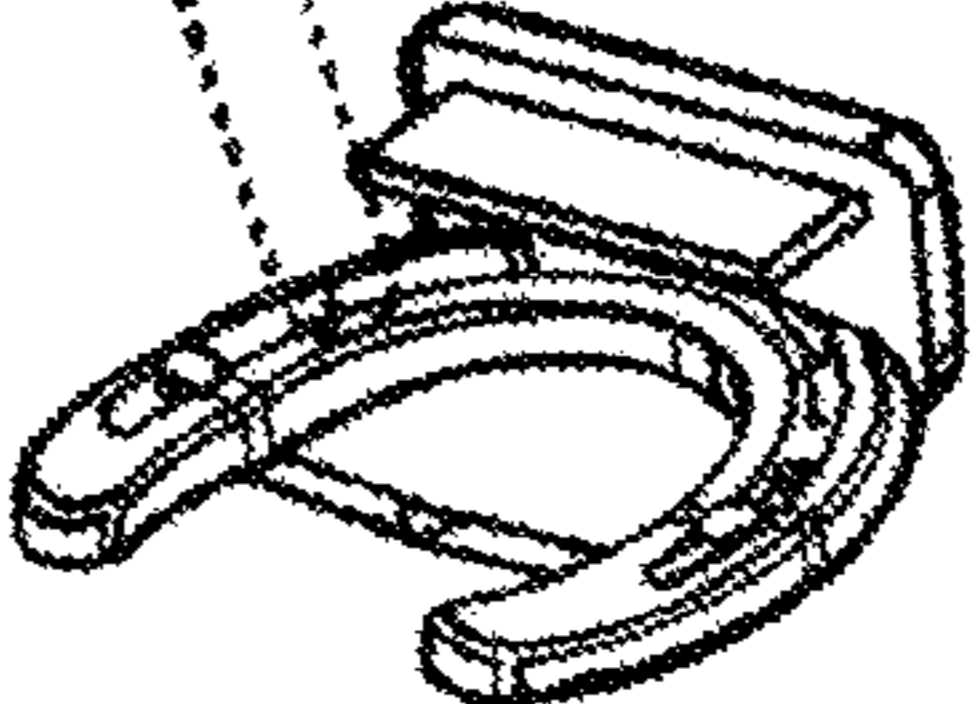


FIG. 1

FIG. 2



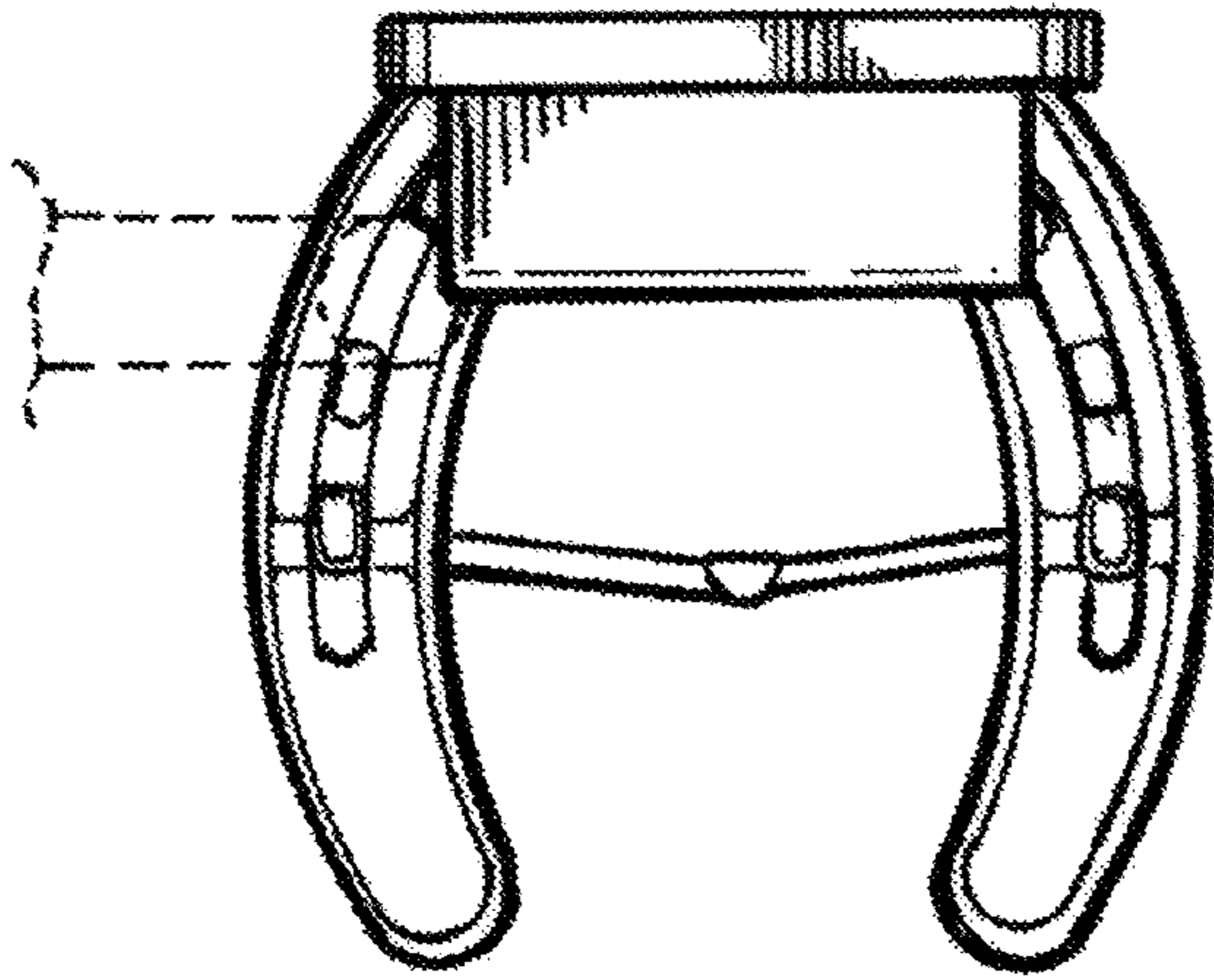


FIG. 3

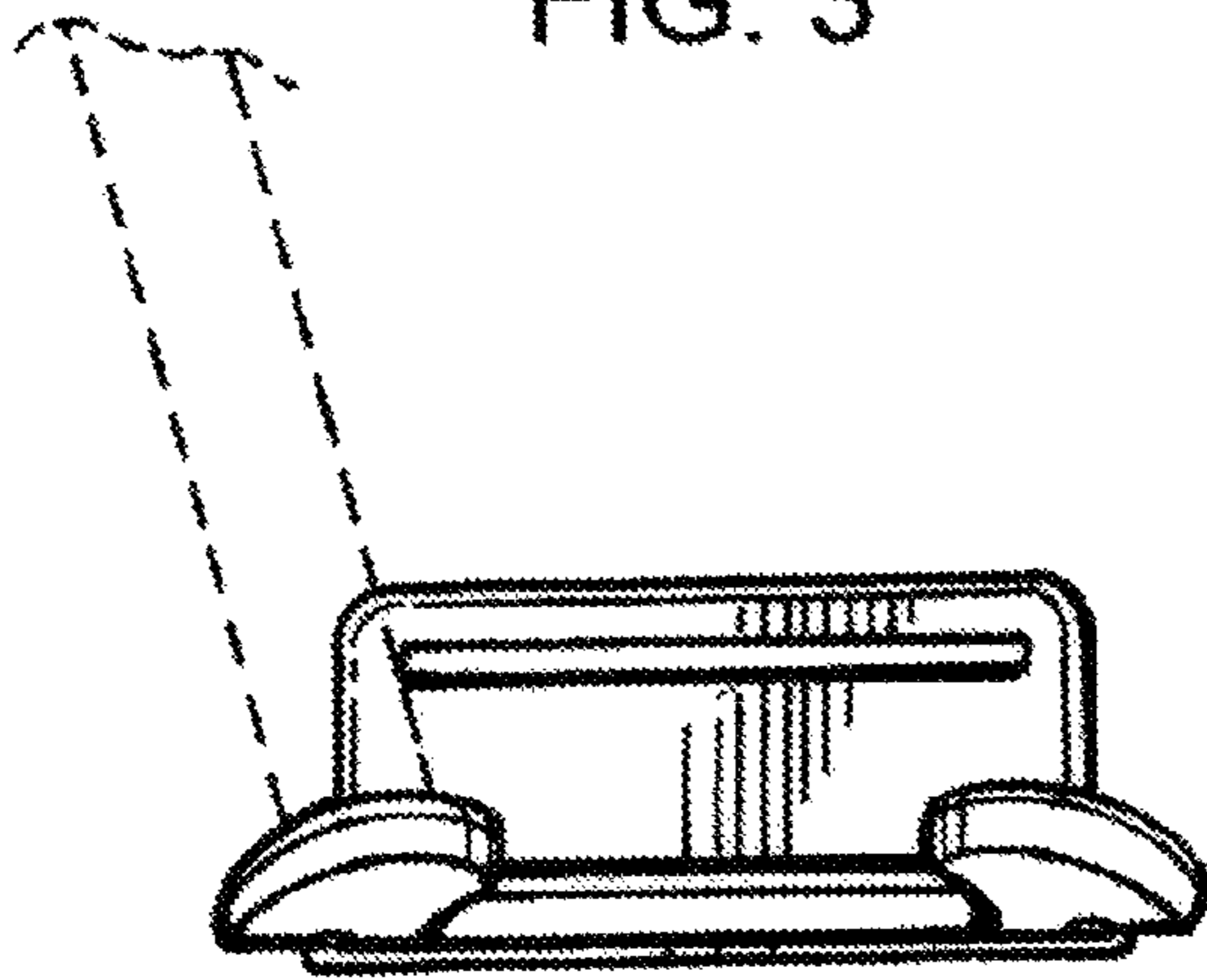


FIG. 4

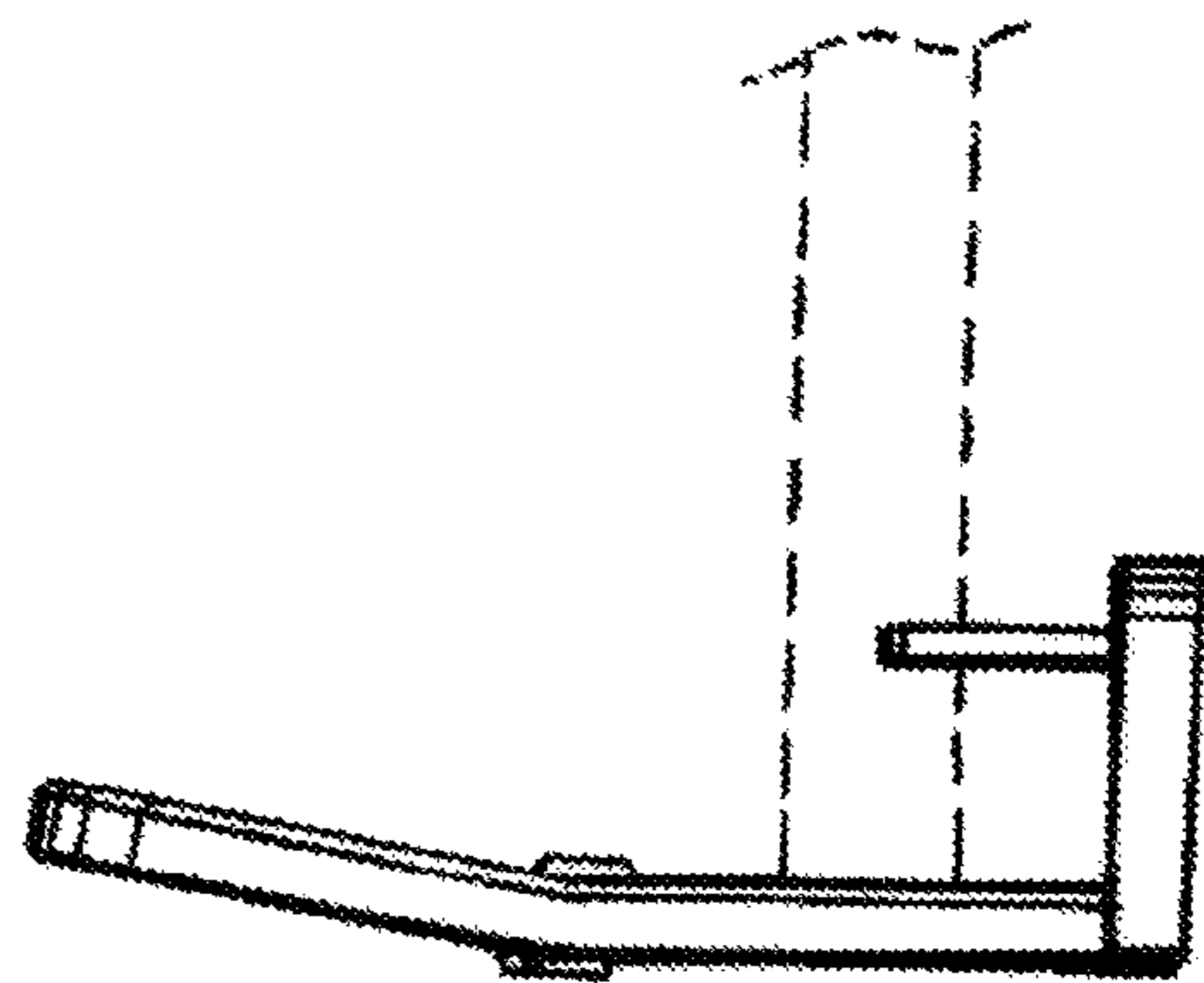


FIG. 5