



US00D585506S

(12) **United States Design Patent**  
**Olason et al.**

(10) **Patent No.:** **US D585,506 S**  
(45) **Date of Patent:** **\*\* Jan. 27, 2009**

(54) **CONTROL PANEL FOR A TREADMILL**

(75) Inventors: **Brady A. Olason**, Mukilteo, WA (US);  
**Gregory T. Janky**, Sammamish, WA (US)

(73) Assignee: **Precor Incorporated**, Woodinville, WA (US)

(\*\*) Term: **14 Years**

(21) Appl. No.: **29/293,316**

(22) Filed: **Nov. 16, 2007**

(51) **LOC (9) Cl.** ..... **21-02**

(52) **U.S. Cl.** ..... **D21/696**

(58) **Field of Classification Search** ..... D21/663,  
D21/666, 668, 669, 670, 694, 696; 482/51,  
482/52, 57, 70, 54

See application file for complete search history.

(56) **References Cited**

**U.S. PATENT DOCUMENTS**

D280,002 S	8/1985	Smith	.....	D21/669
D283,239 S	4/1986	Smith et al.	.....	D21/669
D303,414 S	9/1989	Armstrong et al.	.....	D21/669
D313,826 S	1/1991	Birrell et al.	.....	D21/669
D394,282 S	5/1998	Birrell		
D407,771 S *	4/1999	Garza	.....	D21/694
D412,192 S	7/1999	Birrell et al.	.....	D21/696
D421,077 S	2/2000	Birrell et al.		
D424,137 S	5/2000	Barker et al.	.....	D21/669
D427,156 S	6/2000	Arnold et al.	.....	D13/162
D429,509 S *	8/2000	Garza	.....	D21/696
D438,579 S *	3/2001	Arnold et al.	.....	D21/696
D440,612 S *	4/2001	Arnold et al.	.....	D21/696
D444,828 S *	7/2001	Matsumoto	.....	D21/696
D445,152 S *	7/2001	Wang et al.	.....	D21/669
D447,780 S	9/2001	Arnold et al.	.....	D21/669
D459,421 S *	6/2002	Lee	.....	D21/696
D464,688 S	10/2002	May et al.	.....	D21/668
D465,000 S	10/2002	Arnold et al.	.....	D21/668

D493,201 S *	7/2004	Giannelli et al.	.....	D21/668
6,761,669 B1 *	7/2004	Pan et al.	.....	482/54
D494,645 S	8/2004	Otomi et al.	.....	D21/662
D521,577 S *	5/2006	Wu	.....	D21/669
D526,031 S	8/2006	Corbalis et al.	.....	D21/663
D527,060 S *	8/2006	Flick et al.	.....	D21/669
7,085,995 B2 *	8/2006	Fukuda et al.	.....	715/203
D531,683 S	11/2006	Choi et al.	.....	D21/696
D547,401 S	7/2007	Olason	.....	D21/696
D555,601 S	11/2007	Olason	.....	D13/162
D557,359 S	12/2007	Olason et al.	.....	D21/696
D557,360 S	12/2007	Olason et al.	.....	D21/696
D559,801 S	1/2008	Olason et al.	.....	D21/694
D559,925 S *	1/2008	Horita	.....	D21/670
D567,315 S	4/2008	Horita	.....	D21/696

\* cited by examiner

*Primary Examiner*—Philip S Hyder

(74) *Attorney, Agent, or Firm*—Terence P. O'Brien

(57) **CLAIM**

We claim the ornamental design for a control panel for a treadmill, as shown and described.

**DESCRIPTION**

FIG. 1 is a front and side perspective view of a control panel for a treadmill;

FIG. 2 is a rear and side perspective view of the control panel of FIG. 1;

FIG. 3 is a side view of the control panel of FIG. 1;

FIG. 4 is a front view of the control panel of FIG. 1;

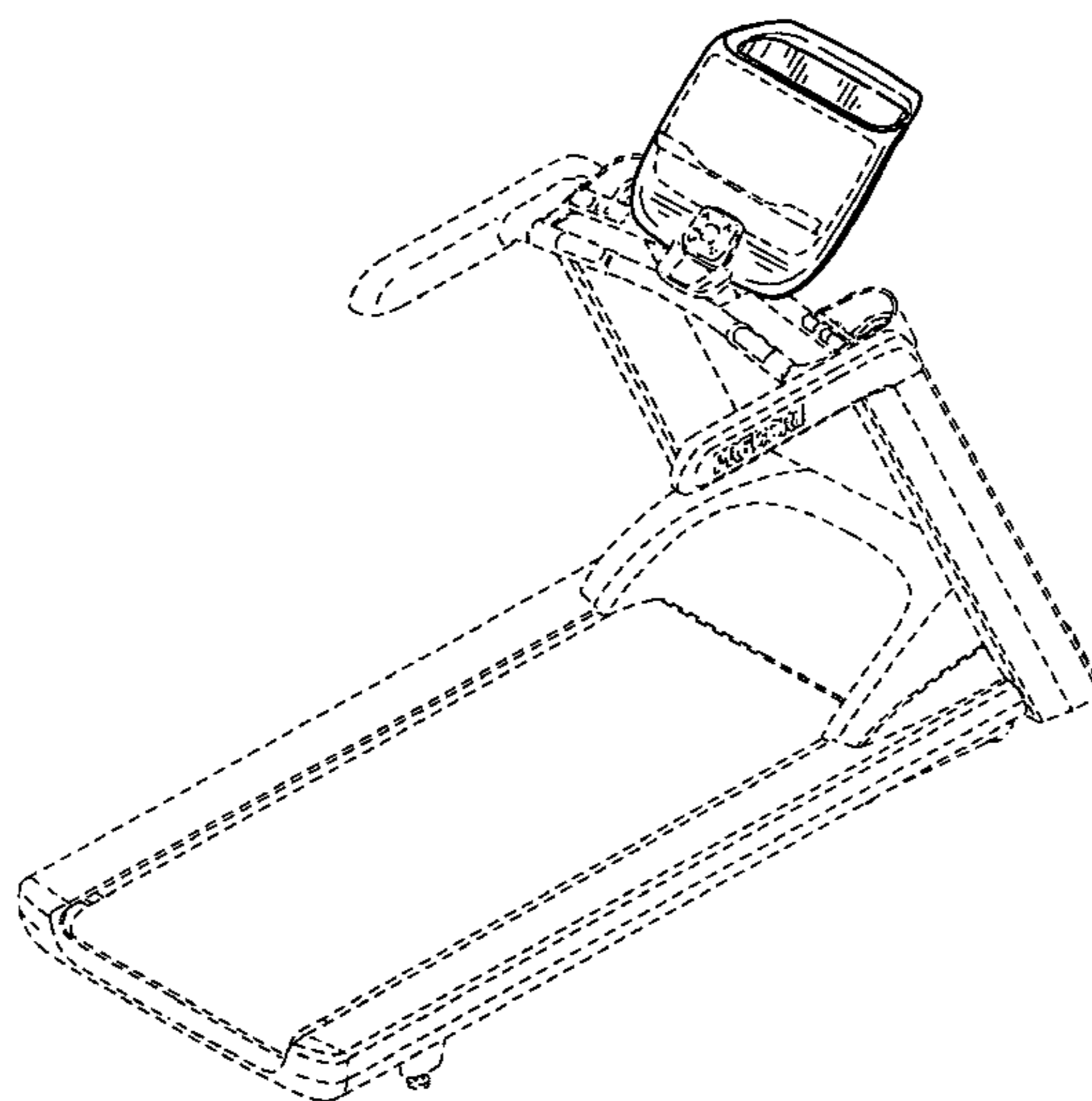
FIG. 5 is a rear view of the control panel of FIG. 1;

FIG. 6 is a top view of the control panel of FIG. 1; and,

FIG. 7 is a bottom view of the control panel of FIG. 1.

The ornamental design that is claimed is shown in solid lines in the drawings. The broken (dashed) lines shown in the drawings are included for the purpose of illustrating environmental elements only and form no part of the claimed design.

**1 Claim, 4 Drawing Sheets**



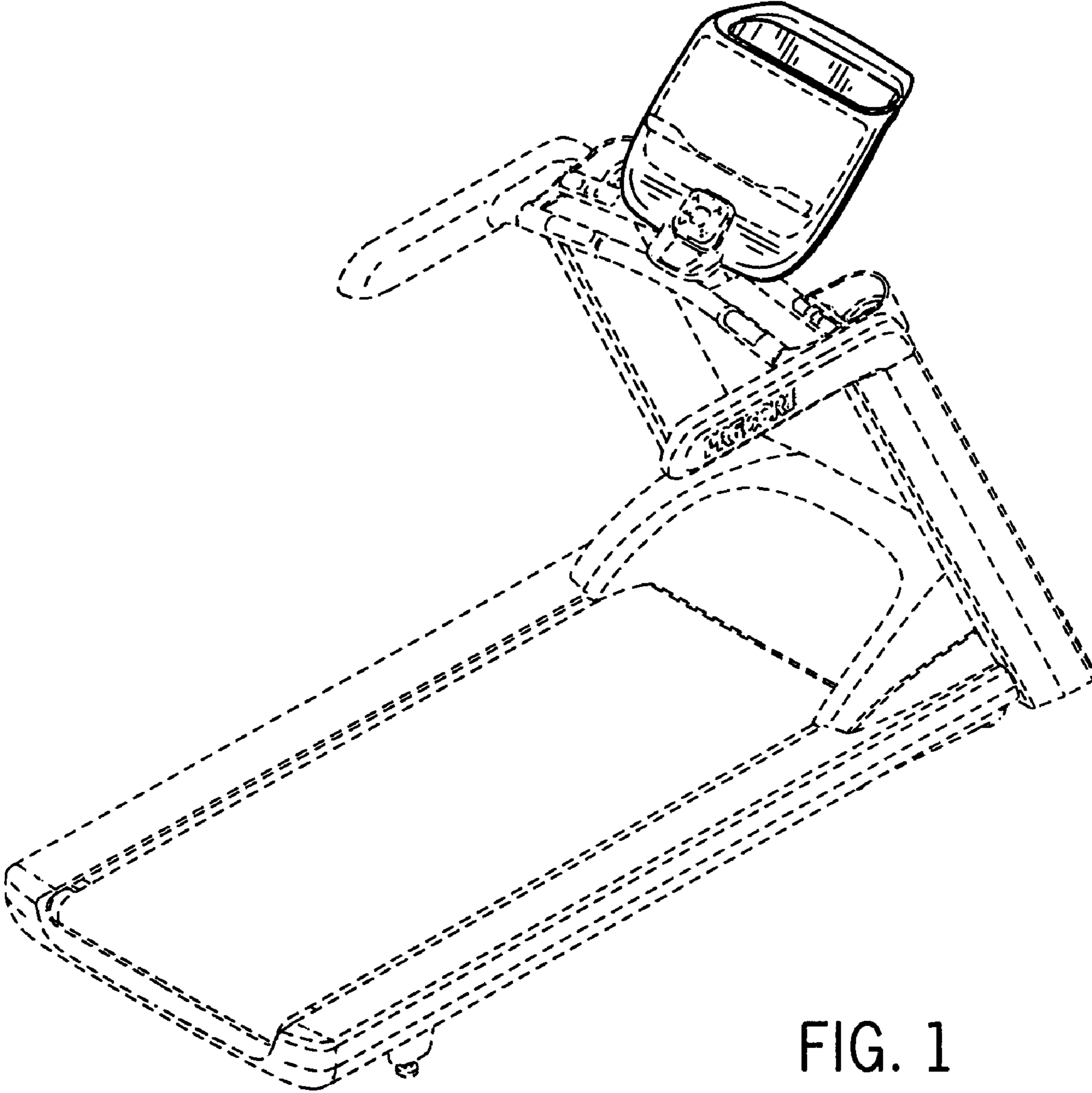


FIG. 1

FIG. 2

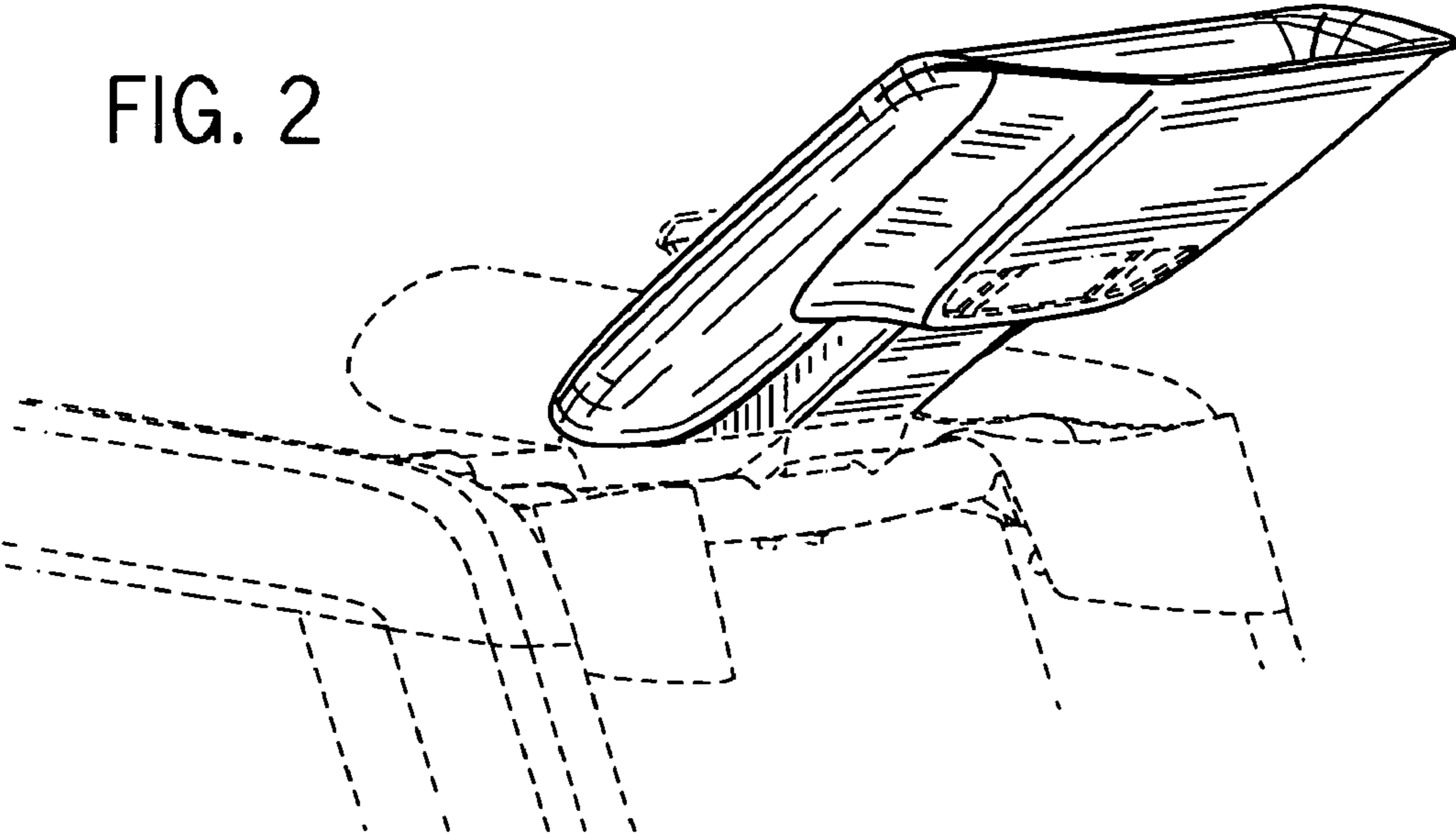


FIG. 3

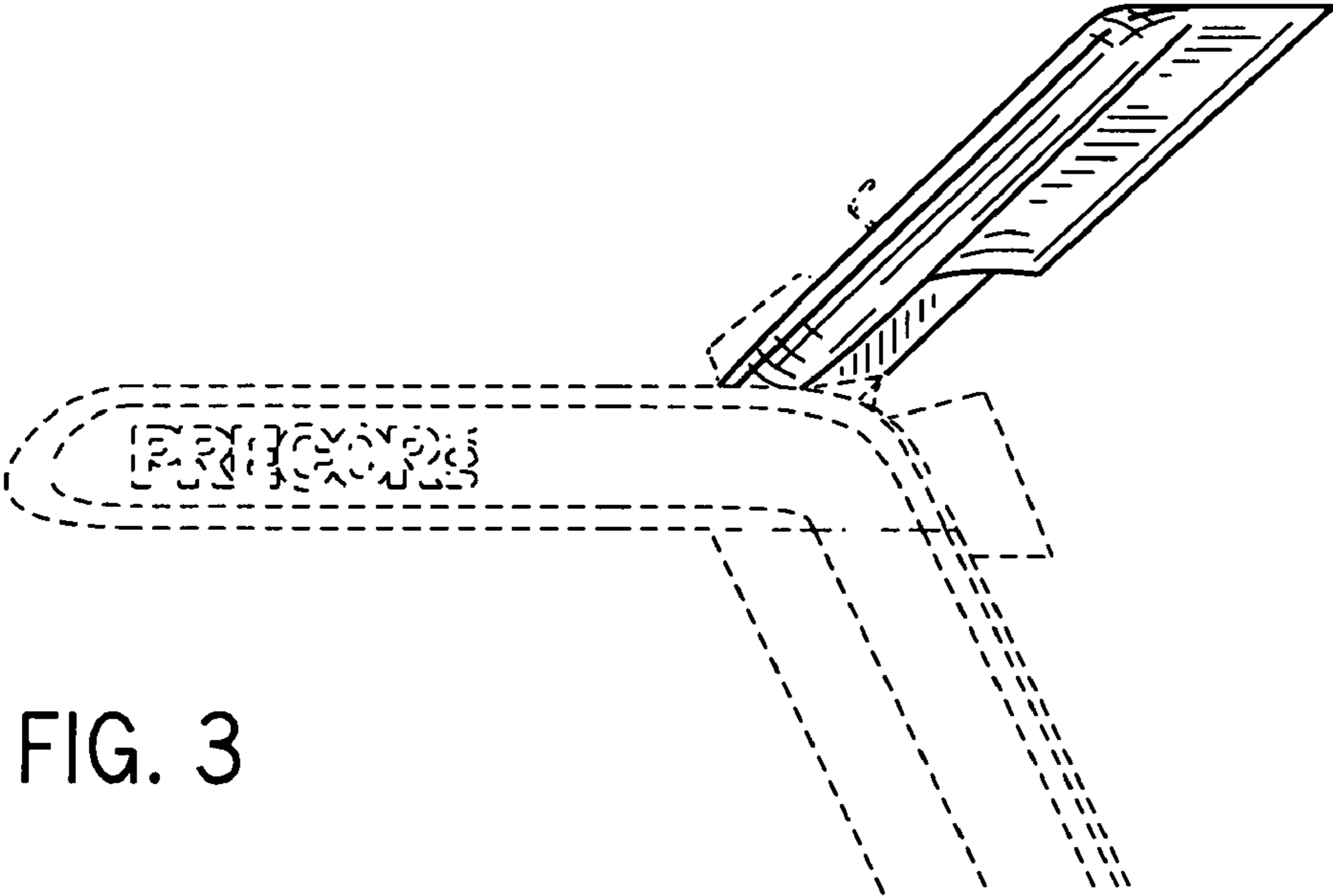


FIG. 4

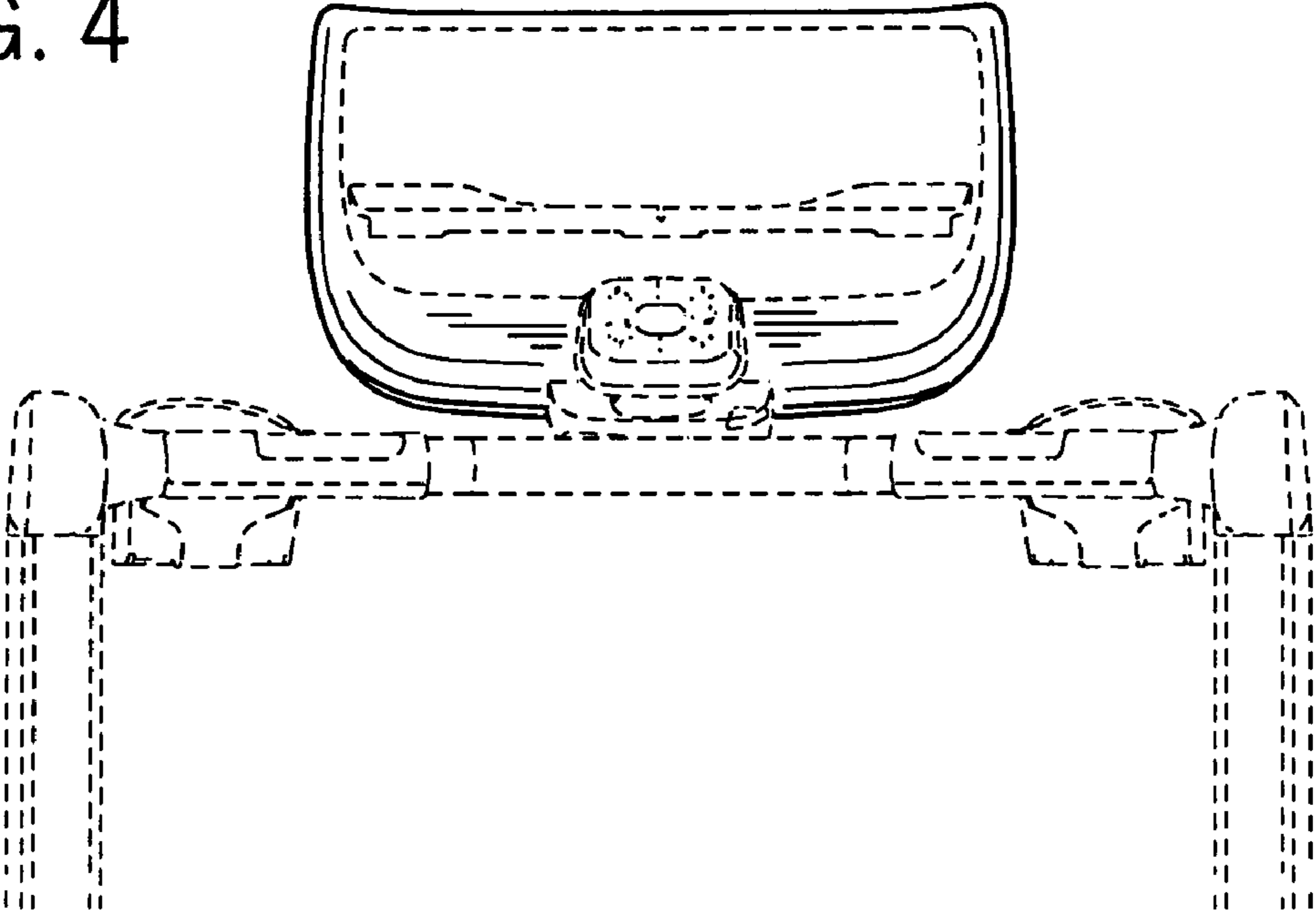


FIG. 5

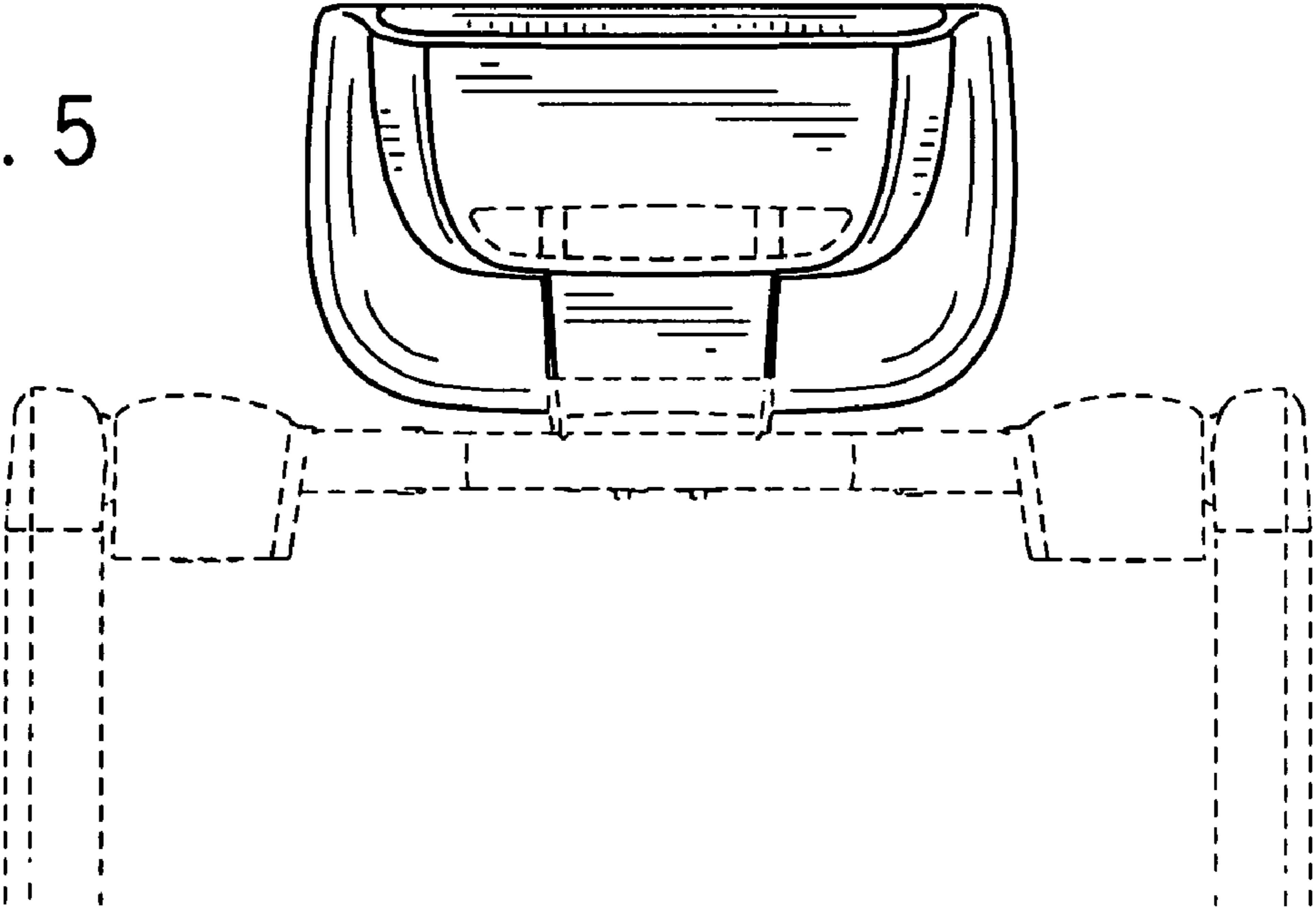




FIG. 6

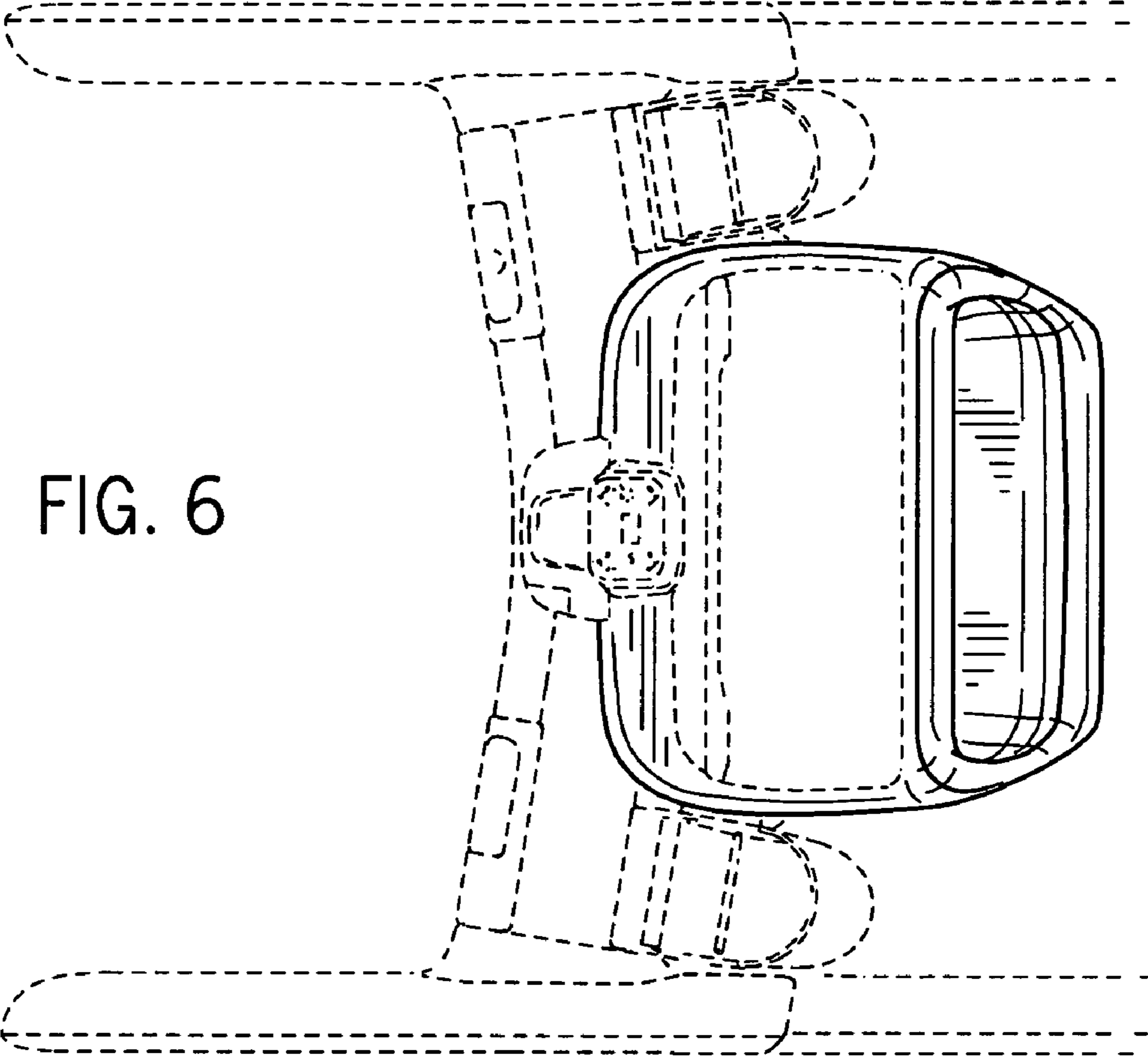


FIG. 7

