



US00D585505S

(12) **United States Design Patent**  
**Wu**

(10) **Patent No.:** **US D585,505 S**  
(45) **Date of Patent:** **\*\* Jan. 27, 2009**

(54) **VIBRATION TRAINER**

(76) Inventor: **Mu-Chuan Wu**, No. 462-7, Chung-Shan Rd., Hsi-Kang Chun, Hsi-Kang Hsiang, Tainan Hsien (TW)

(\*\*) Term: **14 Years**

(21) Appl. No.: **29/305,564**

(22) Filed: **Mar. 24, 2008**

(51) **LOC (9) Cl.** ..... **21-02**

(52) **U.S. Cl.** ..... **D21/662; D21/686**

(58) **Field of Classification Search** ..... D21/662, D21/671, 686, 688; 482/27, 51, 145, 146, 482/112, 113; 601/23, 49, 51, 66, 70, 90  
See application file for complete search history.

(56) **References Cited**

**U.S. PATENT DOCUMENTS**

5,632,711	A *	5/1997	Hwang	.....	482/147
D494,645	S *	8/2004	Otomi et al.	.....	D21/662
D495,015	S *	8/2004	Tudico	.....	D21/688
D500,100	S *	12/2004	van der Meer	.....	D21/662
D518,533	S *	4/2006	van der Meer	.....	D21/662

D538,358	S *	3/2007	Glier	.....	D21/662
D559,924	S *	1/2008	Wu	.....	D21/686
D567,309	S *	4/2008	Schuurman et al.	.....	D21/662

\* cited by examiner

*Primary Examiner*—Philip S Hyder  
(74) *Attorney, Agent, or Firm*—Apex Juris, pllc; Tracy M Heims

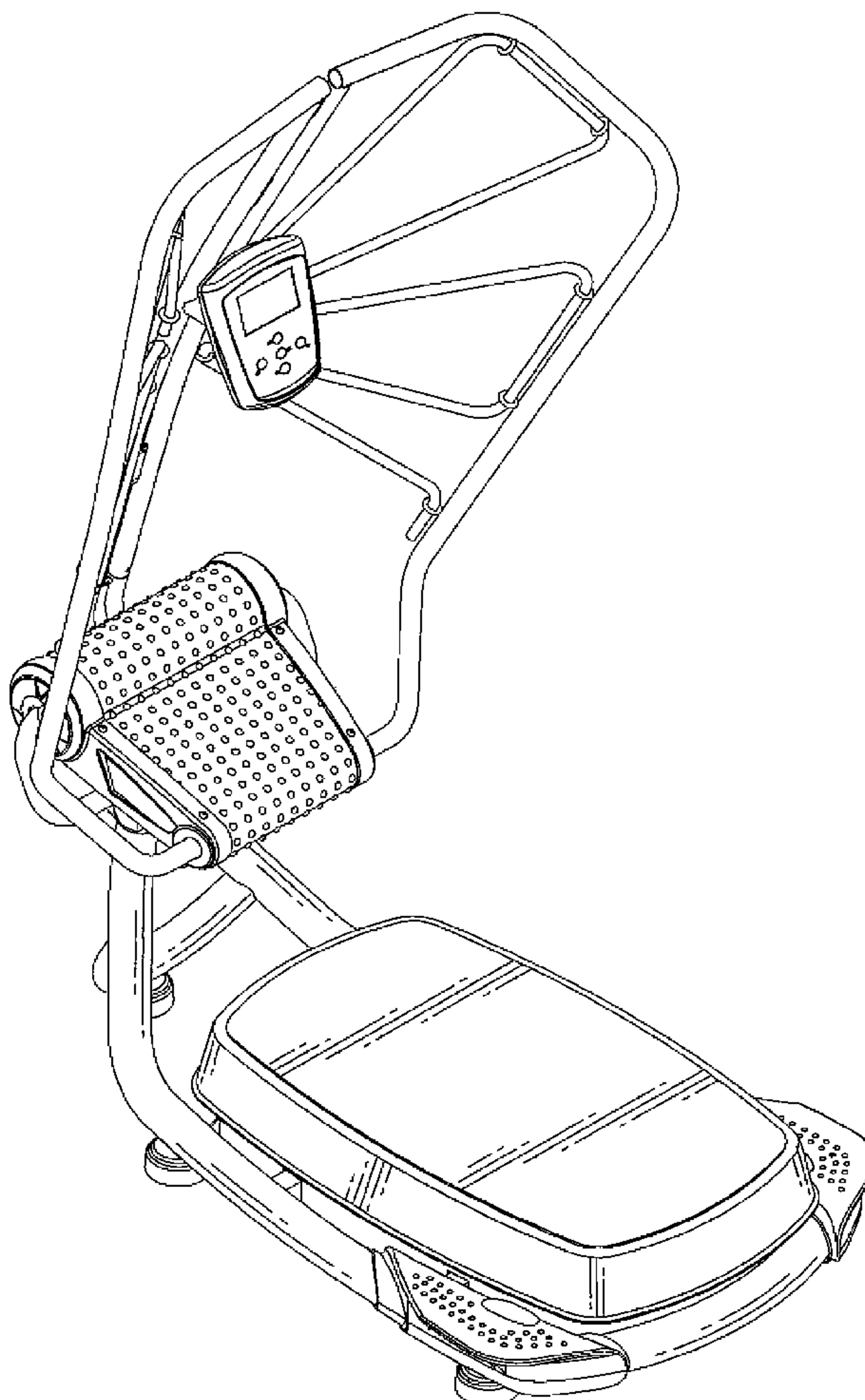
(57) **CLAIM**

The ornamental design for a vibration trainer, as shown.

**DESCRIPTION**

FIG. 1 is a perspective view of a vibration trainer, showing my new design;  
FIG. 2 is a front view thereof;  
FIG. 3 is a rear view thereof;  
FIG. 4 is a left view thereof;  
FIG. 5 is a right view thereof;  
FIG. 6 is a top view thereof; and,  
FIG. 7 is a bottom view thereof.

**1 Claim, 7 Drawing Sheets**



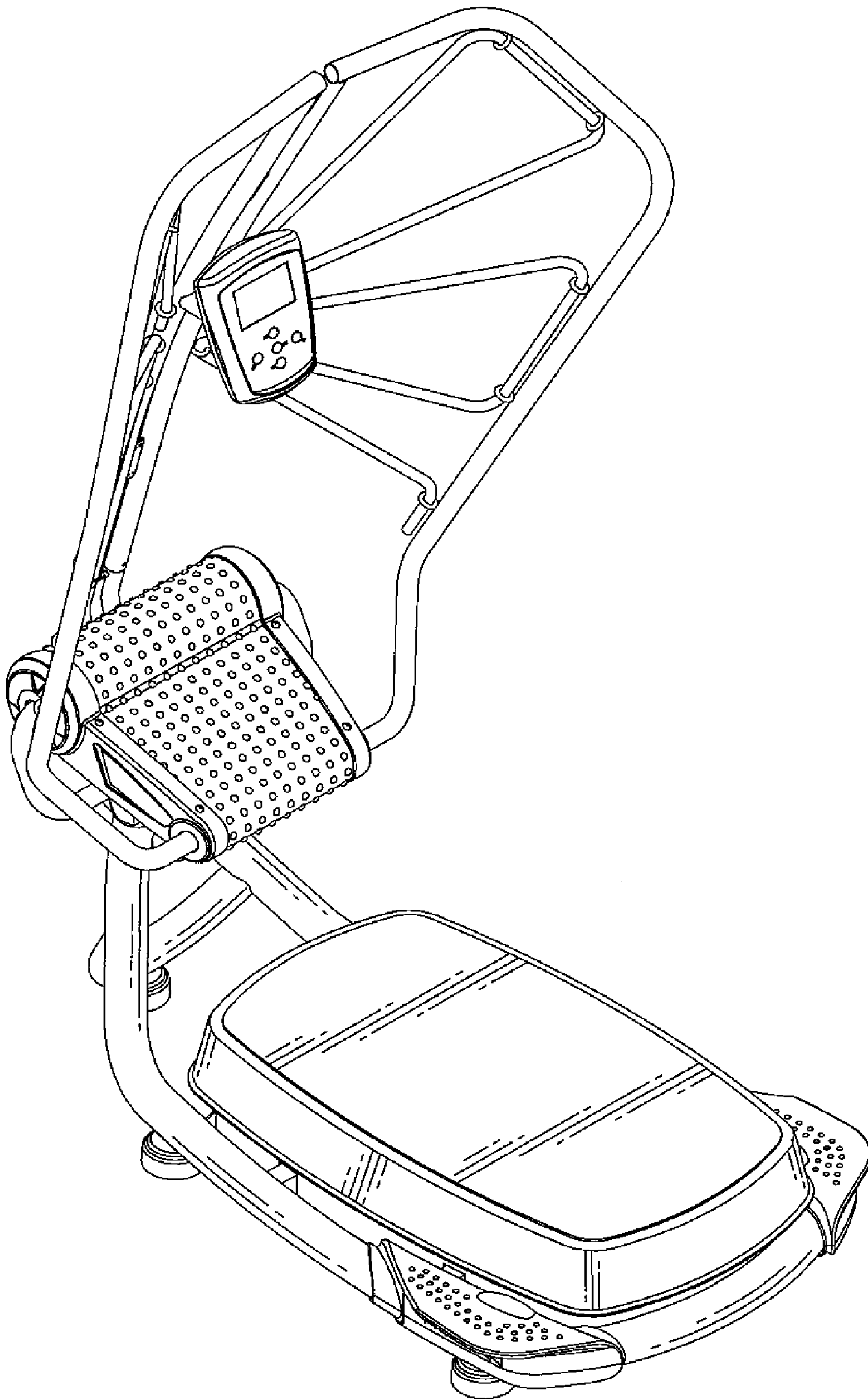


FIG. 1

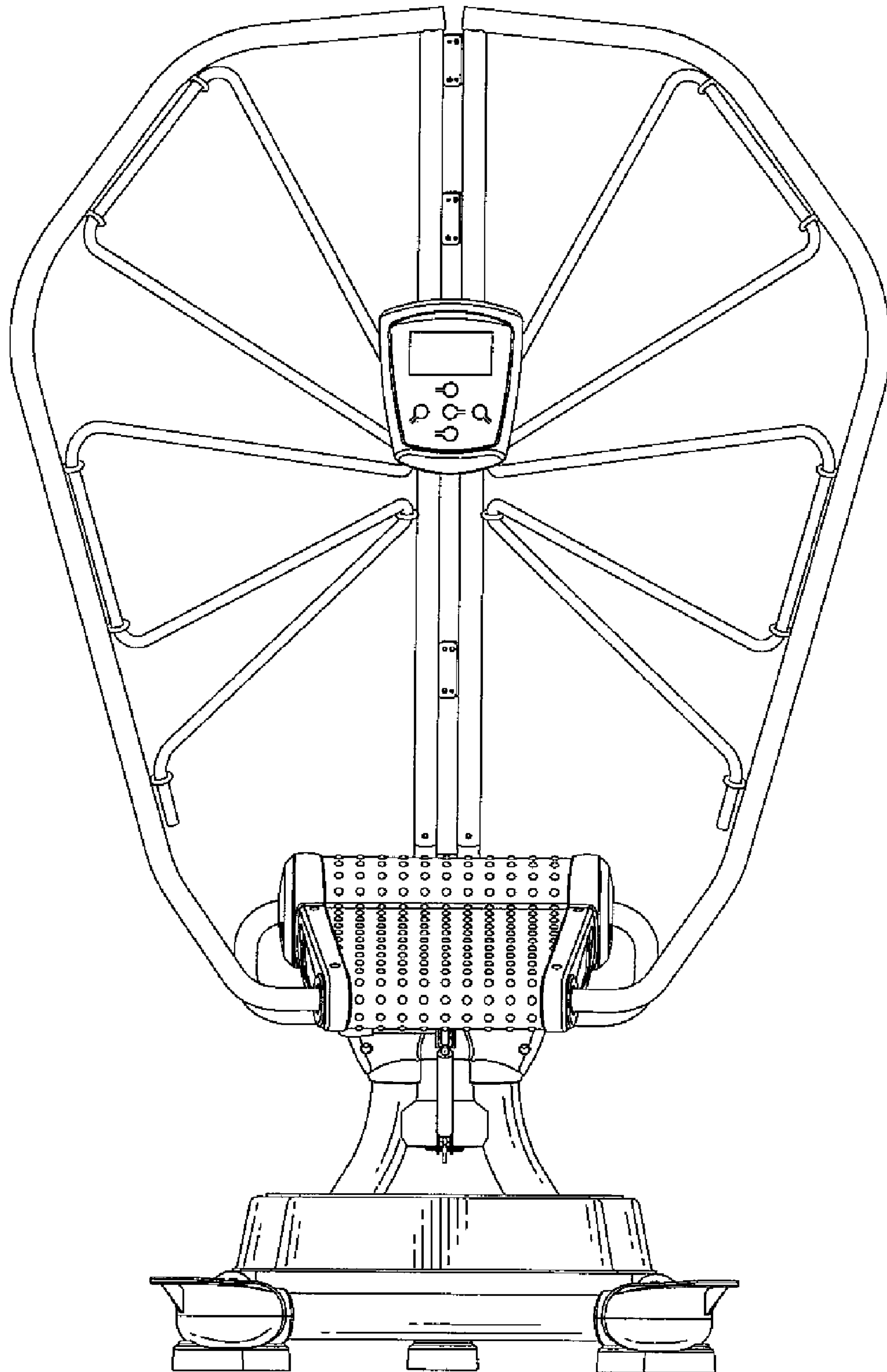


FIG.2

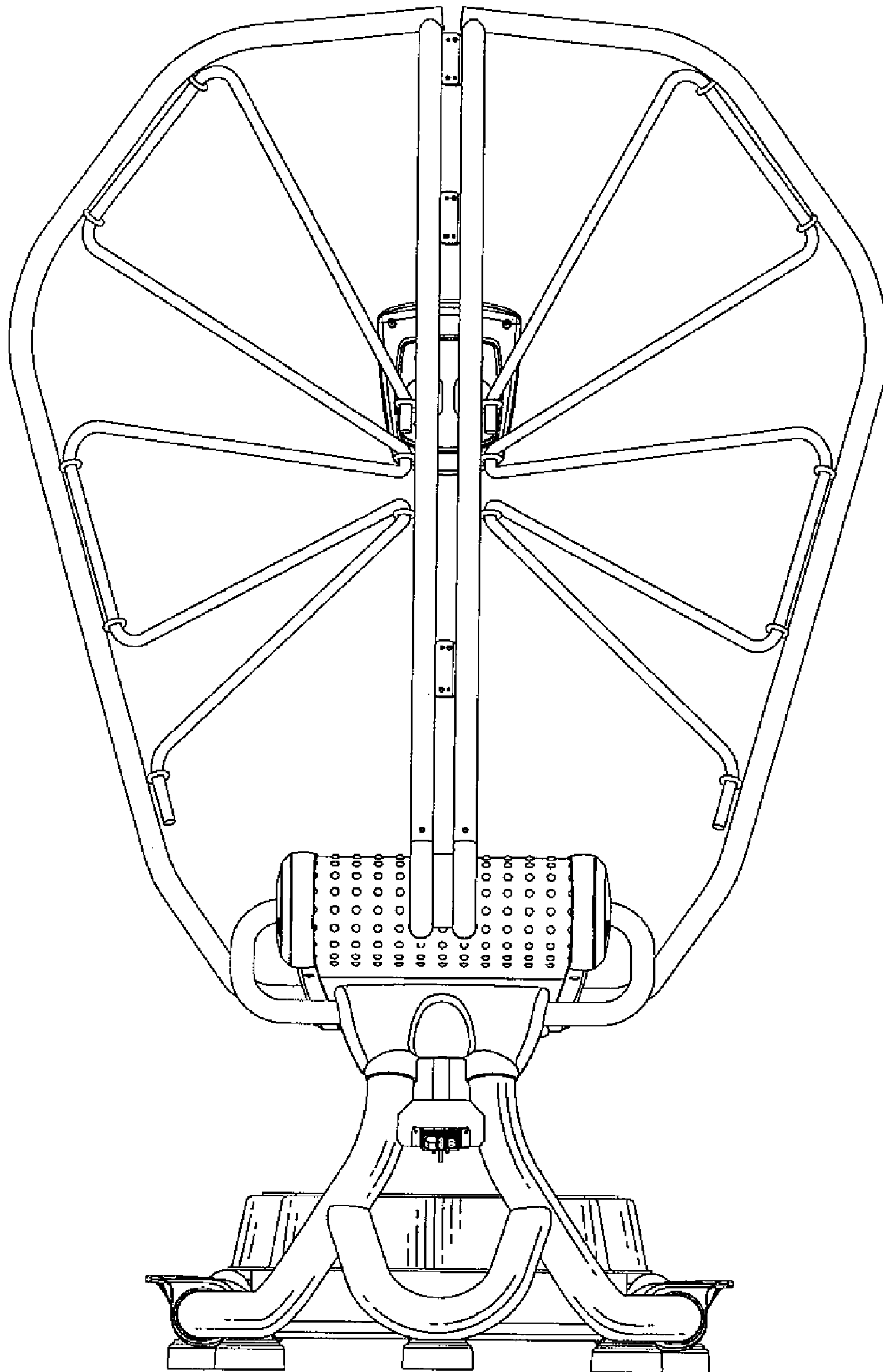


FIG.3



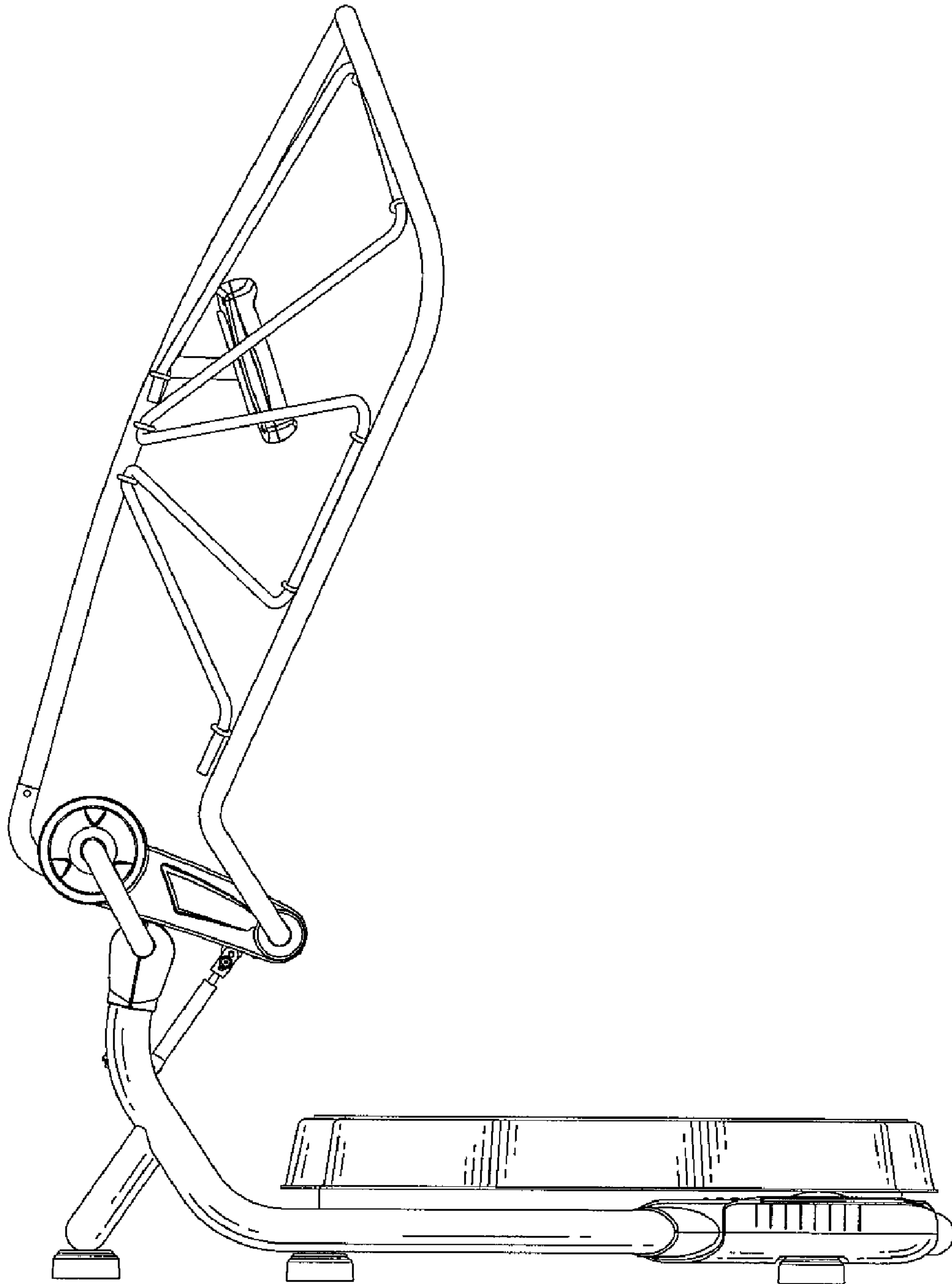


FIG.4

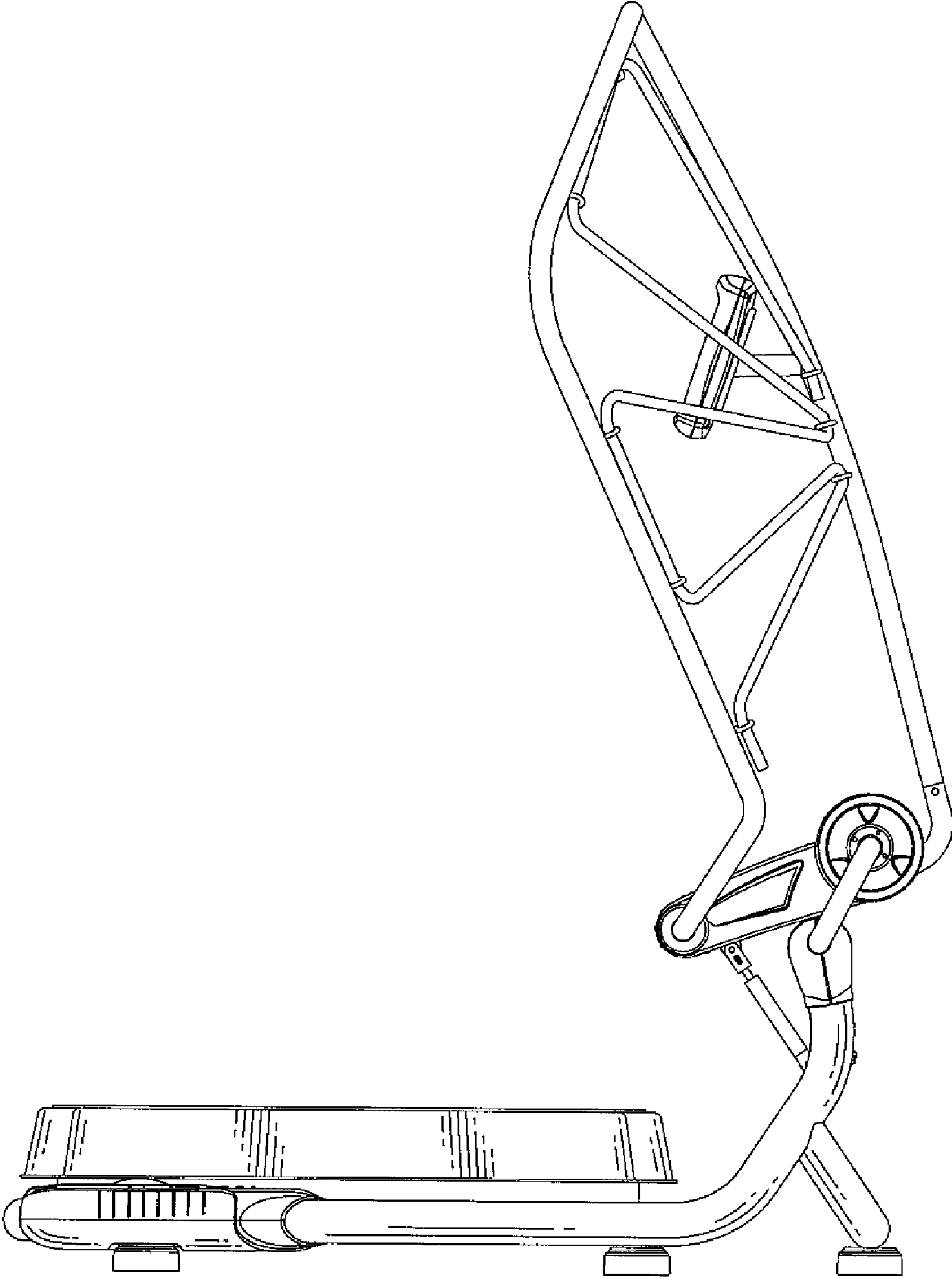


FIG.5

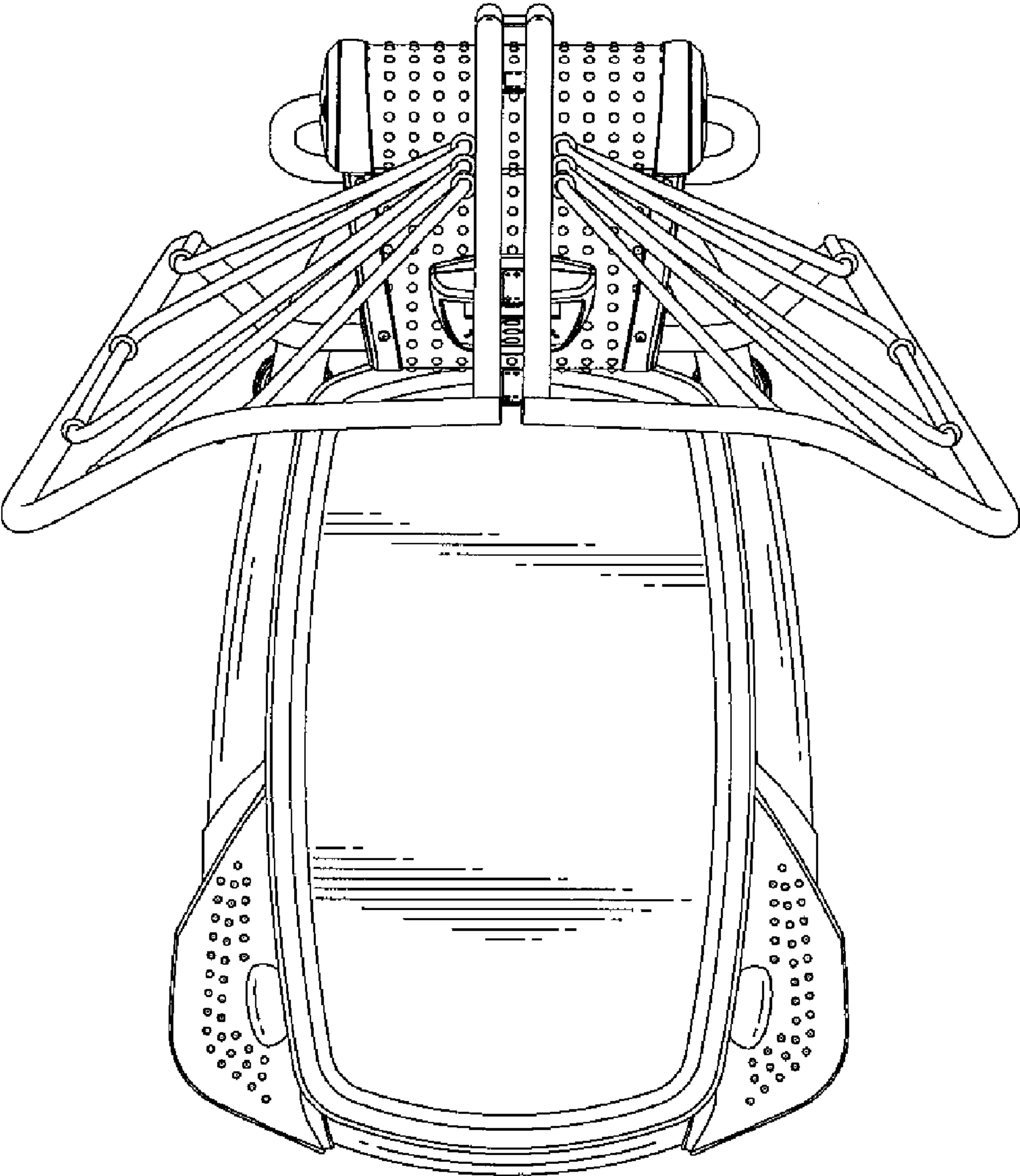


FIG.6

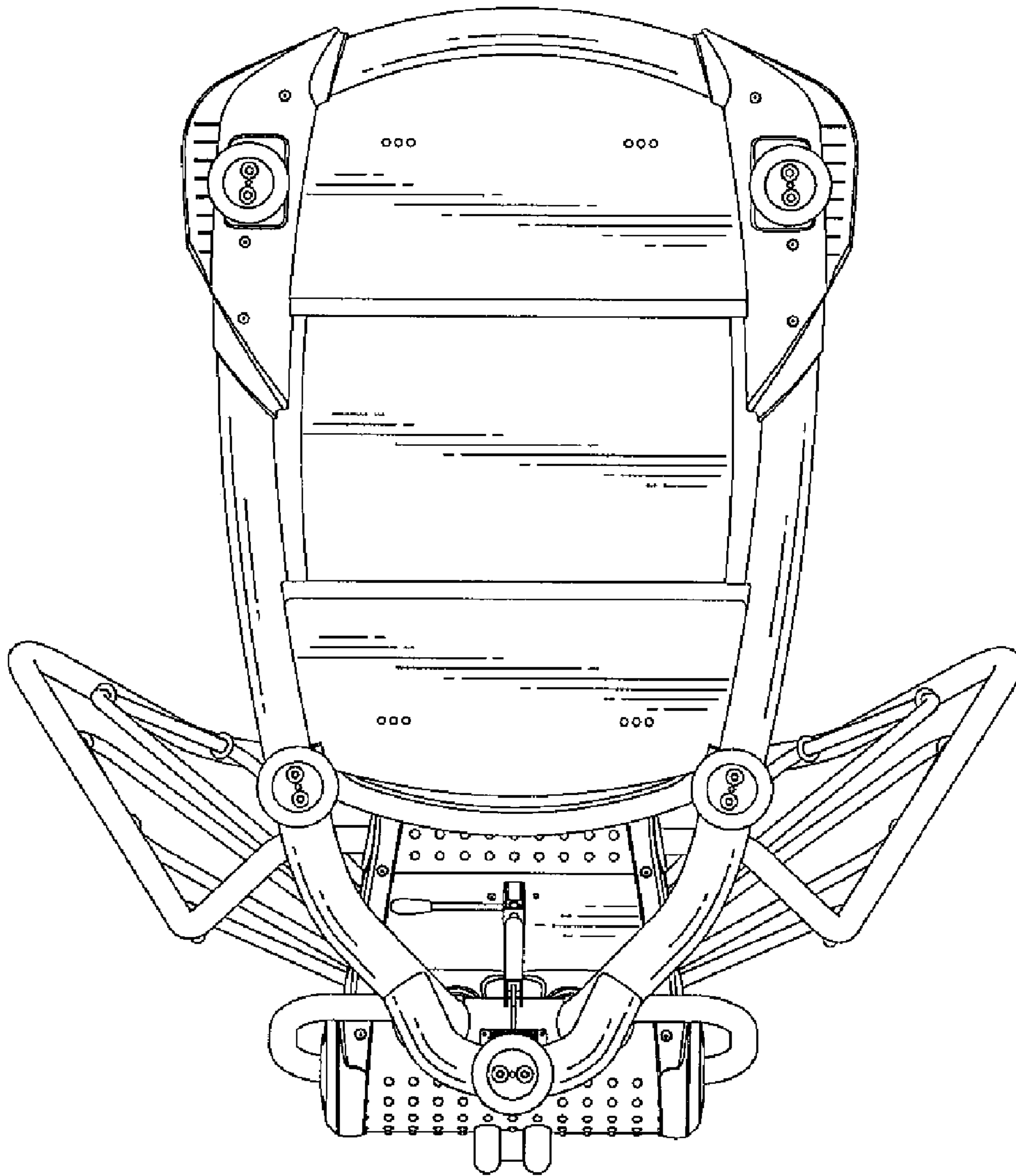


FIG.7