



US00D585499S

(12) **United States Design Patent**  
**Kramer**

(10) **Patent No.:** **US D585,499 S**  
(45) **Date of Patent:** **\*\* Jan. 27, 2009**

(54) **PORTABLE GAME ASSEMBLY**

(75) Inventor: **Joel Kramer**, Enfield, CT (US)

(73) Assignee: **Hasbro, Inc.**, Pawtucket, RI (US)

(\*\*) Term: **14 Years**

(21) Appl. No.: **29/295,254**

(22) Filed: **Sep. 24, 2007**

(51) **LOC (9) Cl.** ..... **21-01**

(52) **U.S. Cl.** ..... **D21/335; D21/342; D21/394**

(58) **Field of Classification Search** ..... **D3/282;**  
**D21/334-368, 392-394, 478-480; 273/148 R,**  
**273/236-288; 434/188, 191**

See application file for complete search history.

(56) **References Cited**

**U.S. PATENT DOCUMENTS**

2,053,598	A	5/1936	Blau	
4,136,871	A	1/1979	Meyers et al.	
4,194,742	A	3/1980	Adams	
4,415,161	A	11/1983	Westell	
D296,797	S *	7/1988	Andrews	..... D21/335
4,801,148	A	1/1989	Lamb	
5,560,612	A *	10/1996	Ippoliti et al.	..... 273/272
D467,980	S	12/2002	Creech	
D498,923	S *	11/2004	Chang	..... D3/282
D499,772	S	12/2004	Creech	

D500,095	S	12/2004	Creech	
D535,703	S	1/2007	Creech	
D536,039	S	1/2007	Creech	
D569,443	S *	5/2008	Whitney	..... D21/341

\* cited by examiner

*Primary Examiner*—Sandra Morris

(74) *Attorney, Agent, or Firm*—Perry Hoffman

(57) **CLAIM**

The ornamental design for a portable game assembly, as shown and described.

**DESCRIPTION**

FIG. 1 is a perspective view of the portable game assembly of the instant invention in a closed position;

FIG. 2 is a perspective view thereof in an open position;

FIG. 3 is a top plan view thereof in the open position;

FIG. 4 is a bottom plan view thereof in the open position;

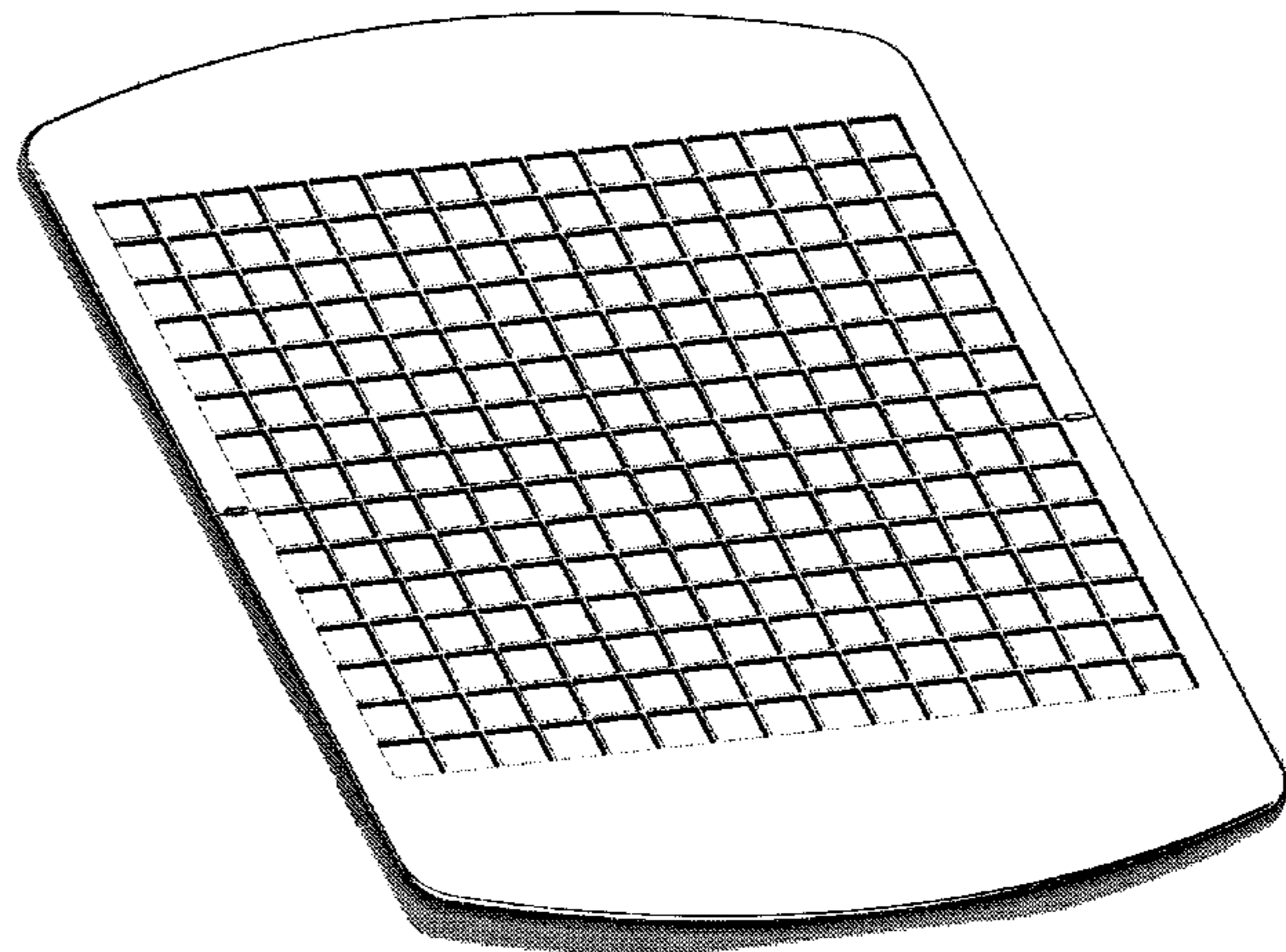
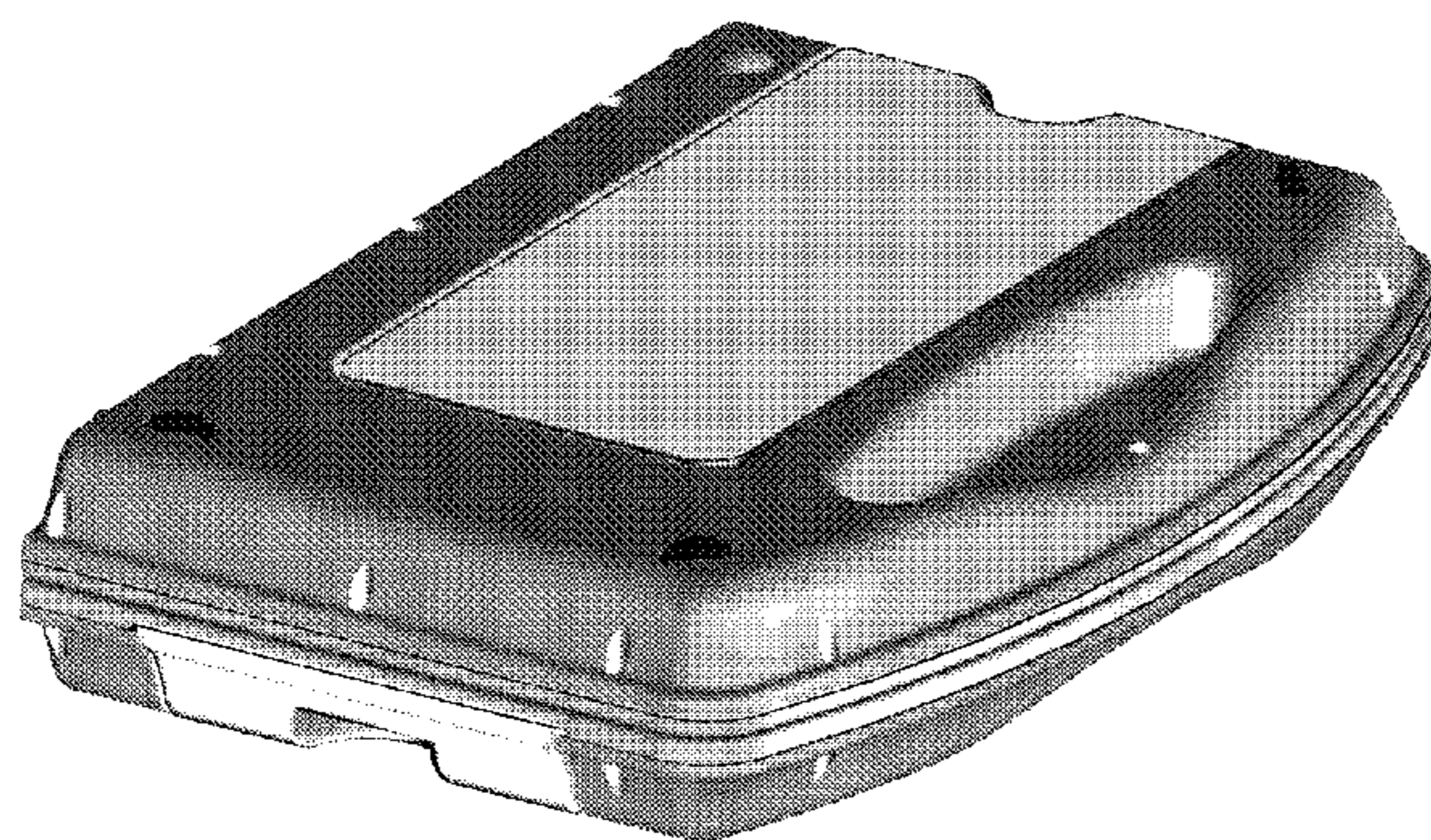
FIG. 5 is a front side elevational view thereof in the open position;

FIG. 6 is a rear side elevational view thereof in the open position;

FIG. 7 is a right elevational view thereof in the open position; and,

FIG. 8 is a left elevational view thereof in the open position.

**1 Claim, 6 Drawing Sheets**



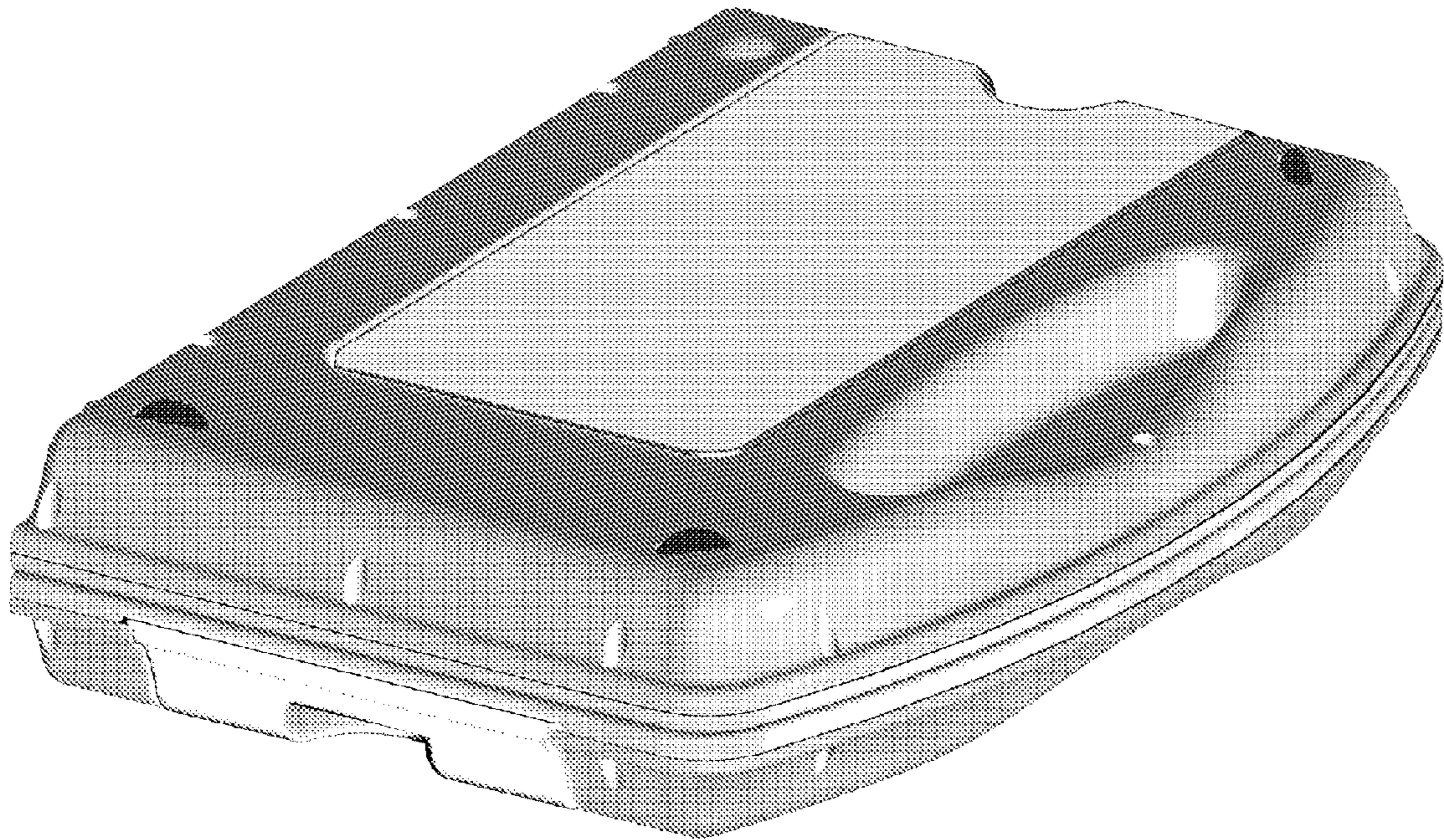


Fig. 1

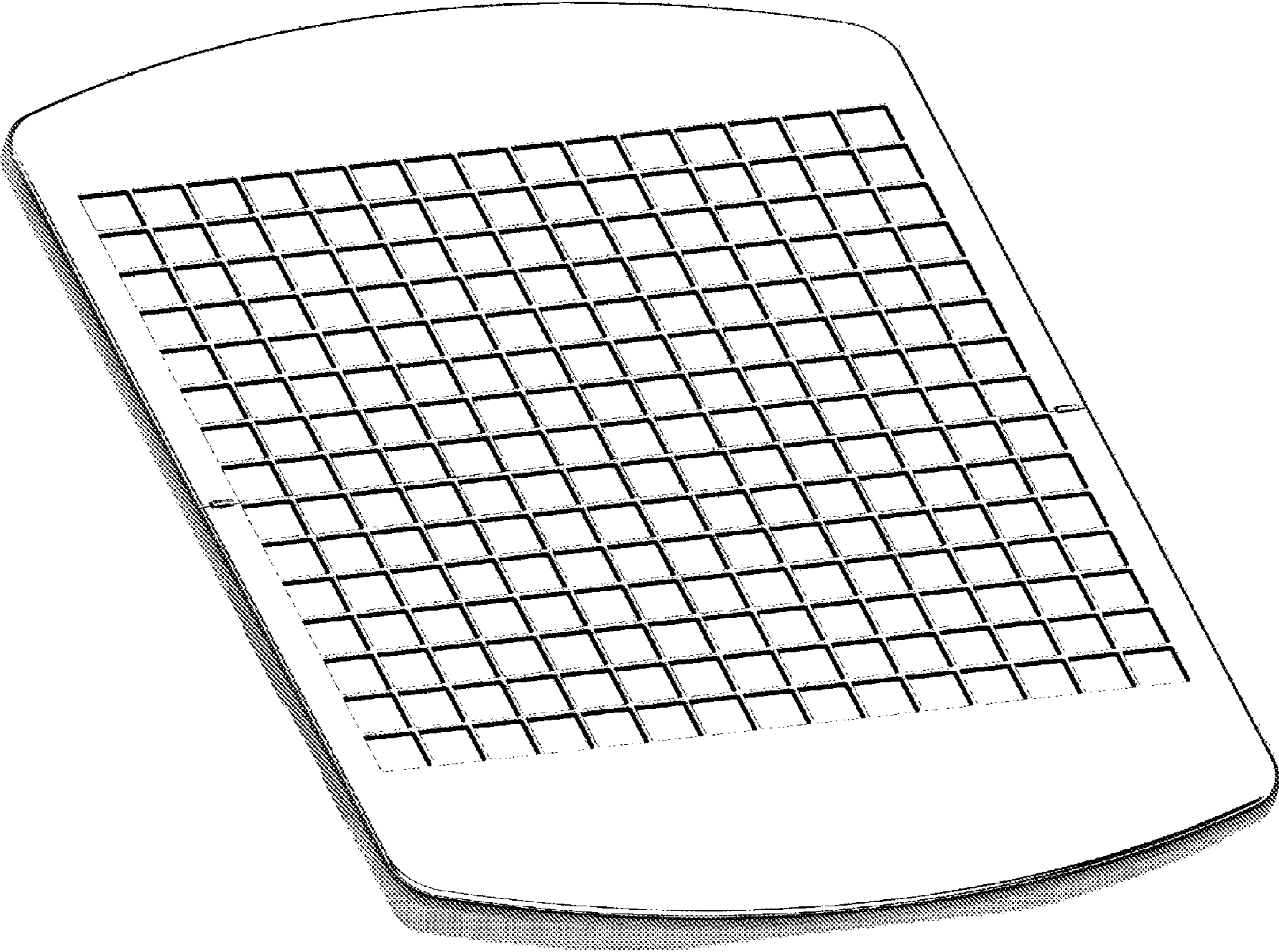


Fig. 2

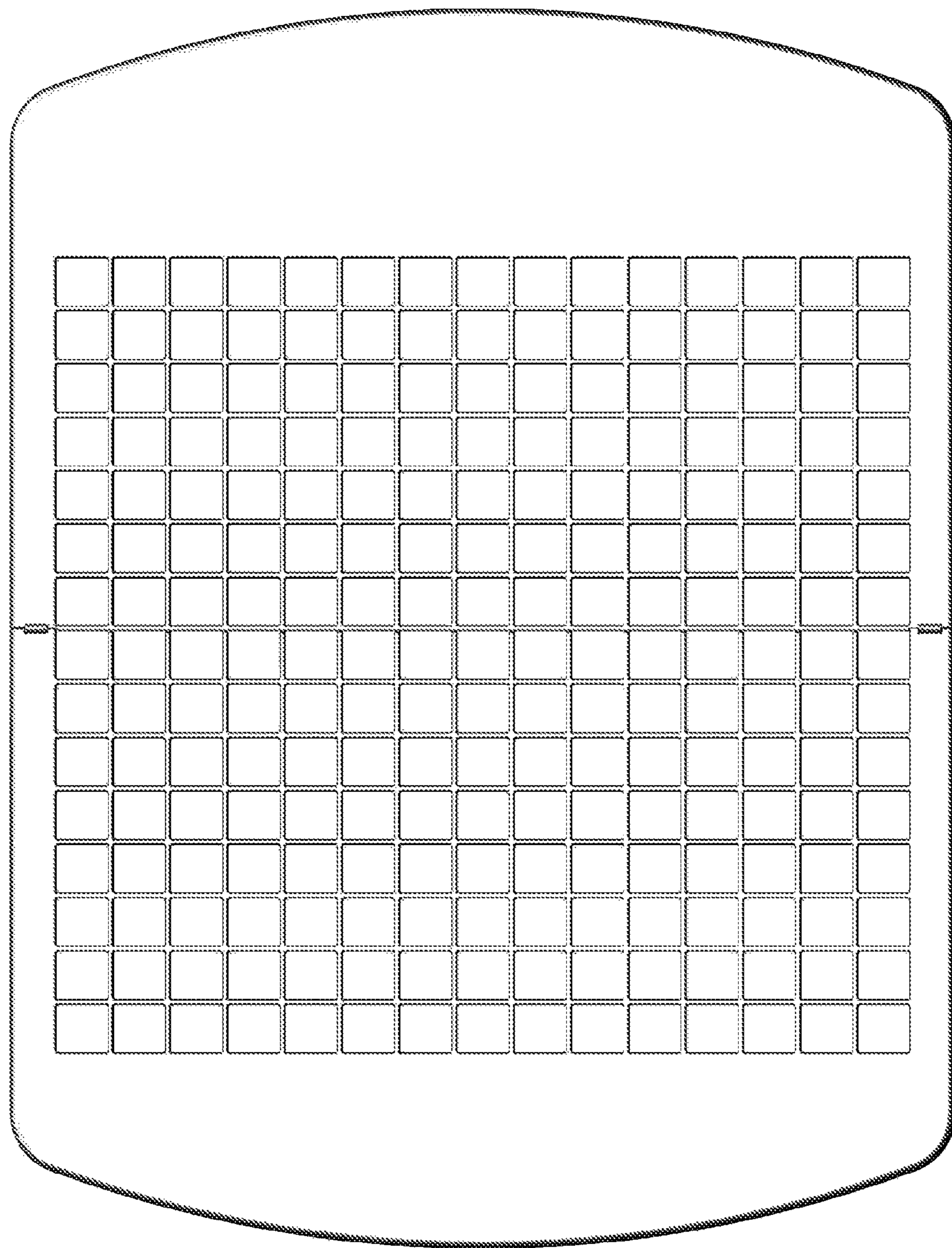


Fig. 3

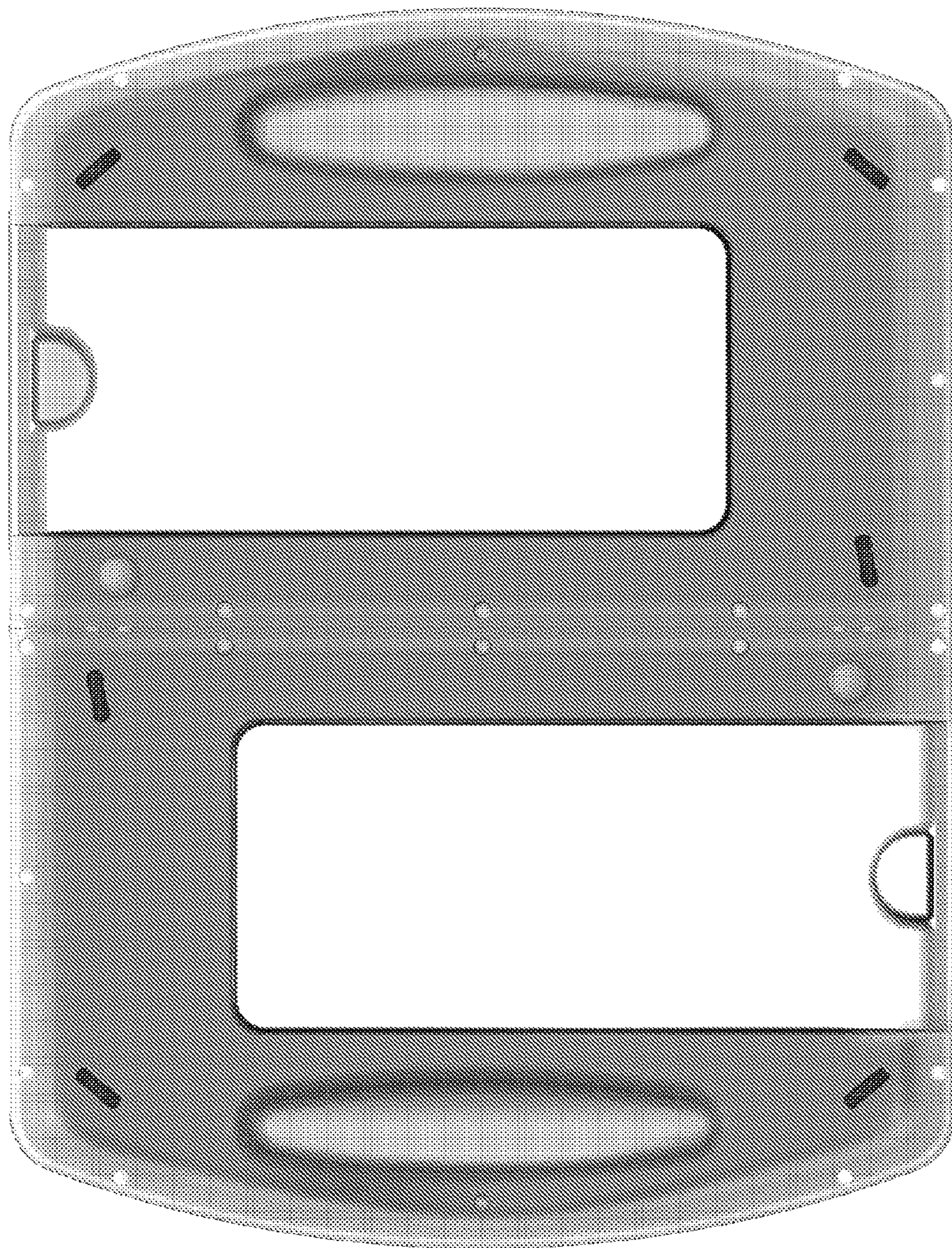


Fig. 4

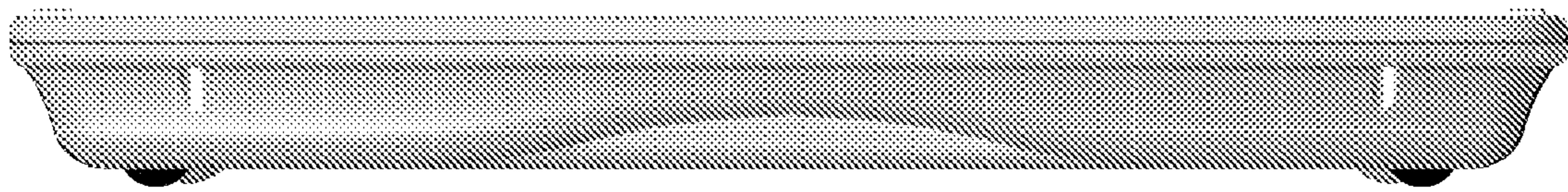


Fig. 5

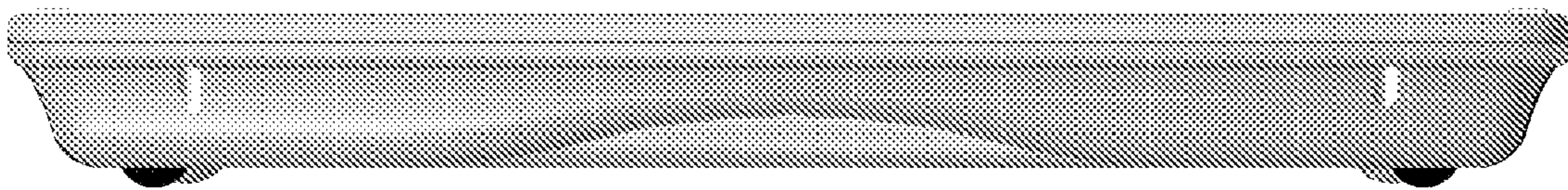


Fig. 6

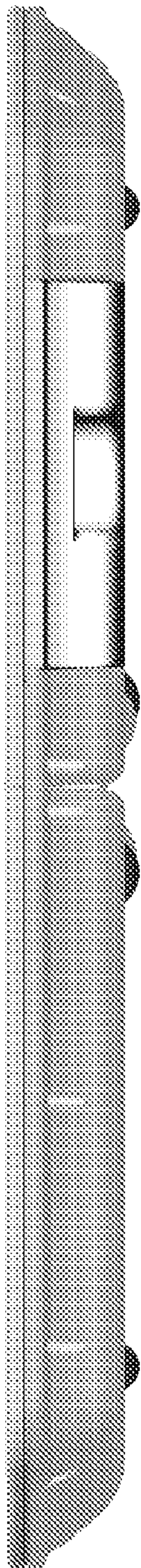


Fig. 7

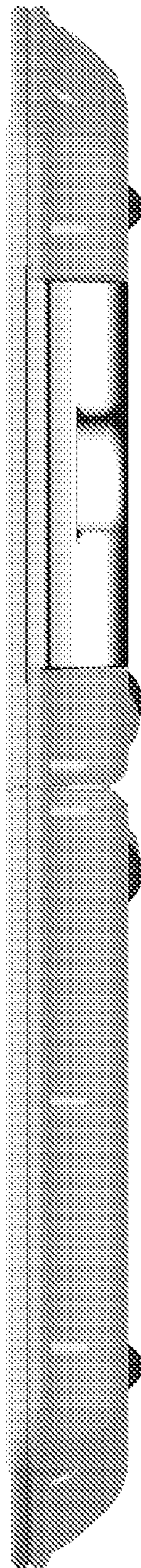


Fig. 8