



US00D585498S

(12) **United States Design Patent**
Huang

(10) **Patent No.:** **US D585,498 S**

(45) **Date of Patent:** **** Jan. 27, 2009**

(54) **SPIDER LIKE SIGN SUPPORT**

(76) **Inventor:** **Sunny En Liung Huang**, 786 Via Monte Video, Claremont, CA (US) 91711

(**) **Term:** **14 Years**

(21) **Appl. No.:** **29/289,010**

(22) **Filed:** **Jun. 29, 2007**

(51) **LOC (9) Cl.** **20-03**

(52) **U.S. Cl.** **D20/43**

(58) **Field of Classification Search** D20/9,
D20/10, 19, 41-43, 99; 40/584, 603-605,
40/606.01, 606.11, 607.13, 642.02, 651,
40/659, 661, 662; D8/349; D11/125; D25/126;
116/63 R; 248/127

See application file for complete search history.

(56) **References Cited**

U.S. PATENT DOCUMENTS

- D32,762 S * 5/1900 Smith et al. D20/10
- D34,699 S * 6/1901 Mills, Jr. D20/10
- 3,521,596 A * 7/1970 Schlein 116/63 R
- D241,674 S * 9/1976 Sill D20/9

- D474,846 S * 5/2003 Skalka D25/126
- D520,405 S * 5/2006 Prebil D11/125
- 2004/0035988 A1 * 2/2004 Skalka 248/127

* cited by examiner

Primary Examiner—Caron Veynar
Assistant Examiner—Mary Ann Calabrese
(74) *Attorney, Agent, or Firm*—Paul M. Denk

(57) **CLAIM**

The ornamental design for the spider like sign support, as shown and described.

DESCRIPTION

FIG. 1 is a perspective view of the spider like sign support of this invention;

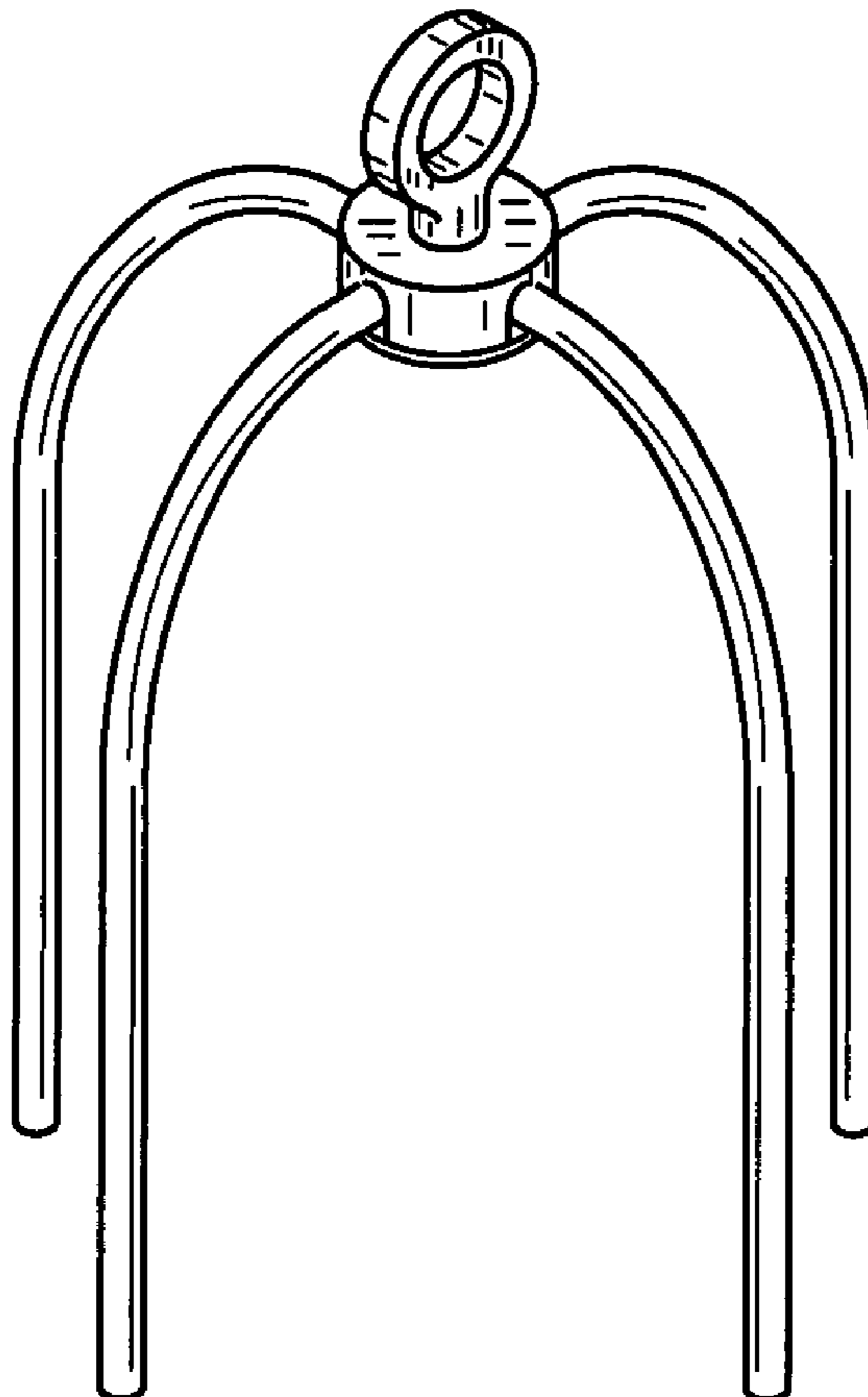
FIG. 2 is a front view, the rear view being a mirror thereof;

FIG. 3 is a left side view, the right side view being a mirror image thereof;

FIG. 4 is a top view; and,

FIG. 5 is a bottom view.

1 Claim, 1 Drawing Sheet



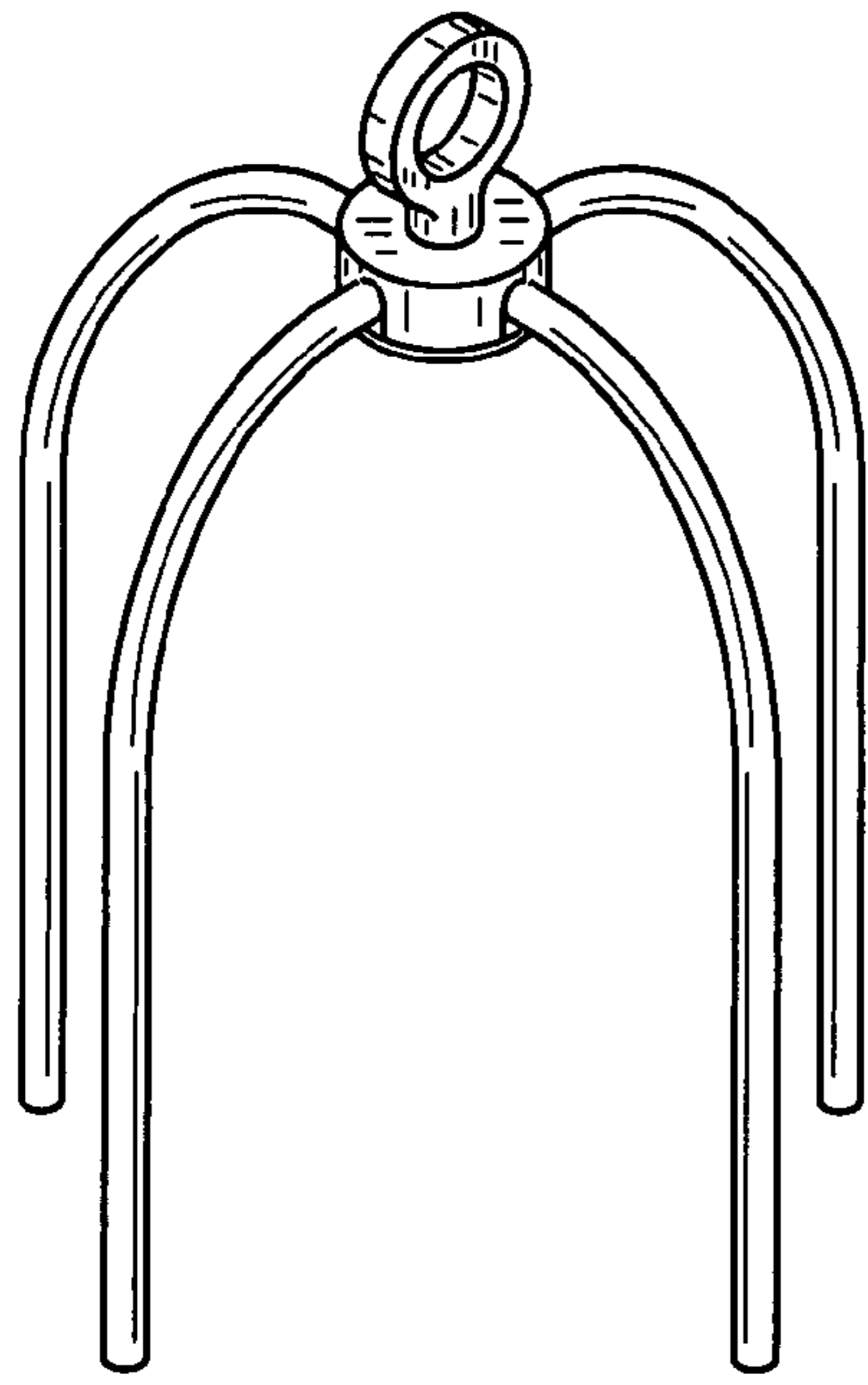


FIG. 1

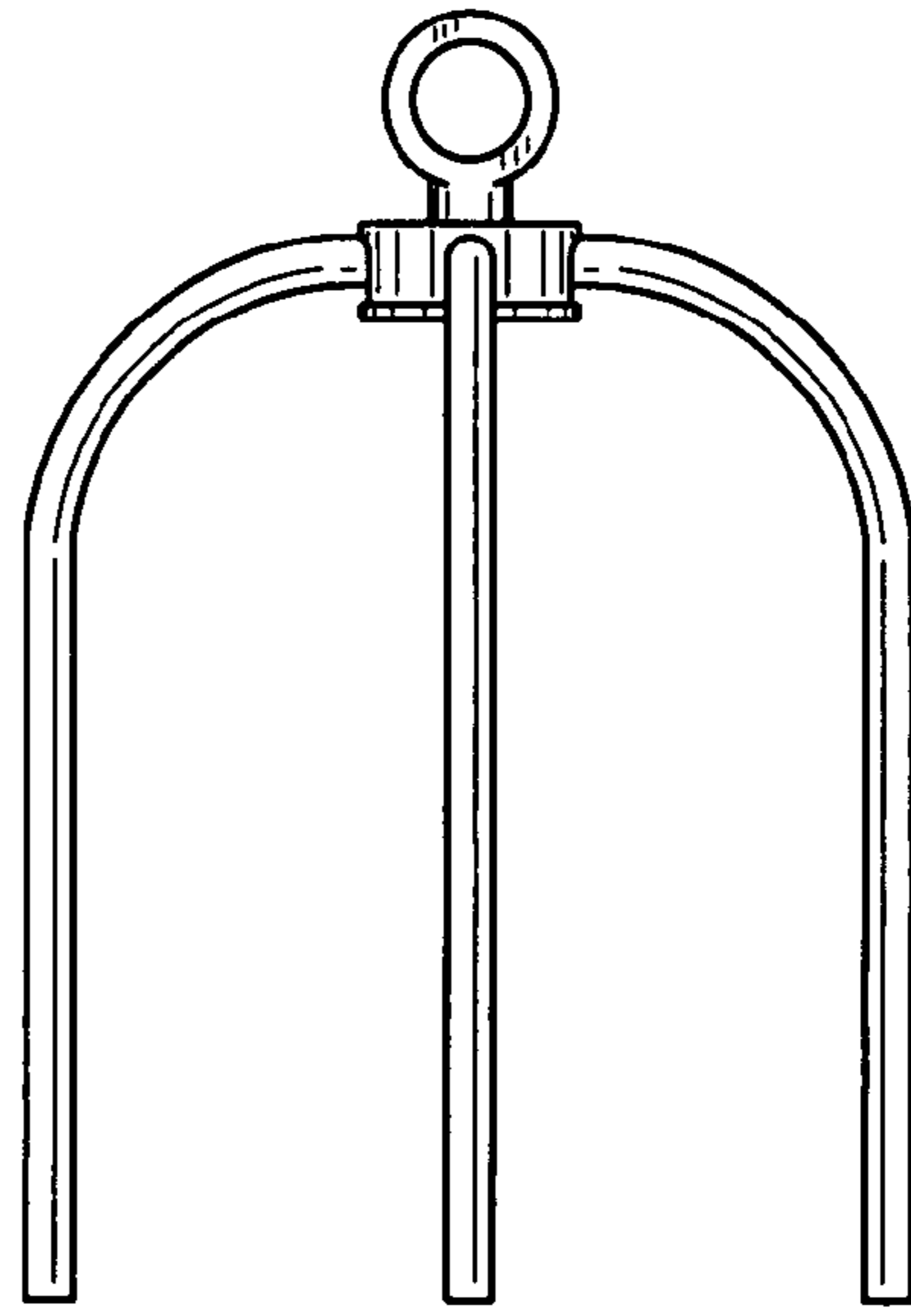


FIG. 2

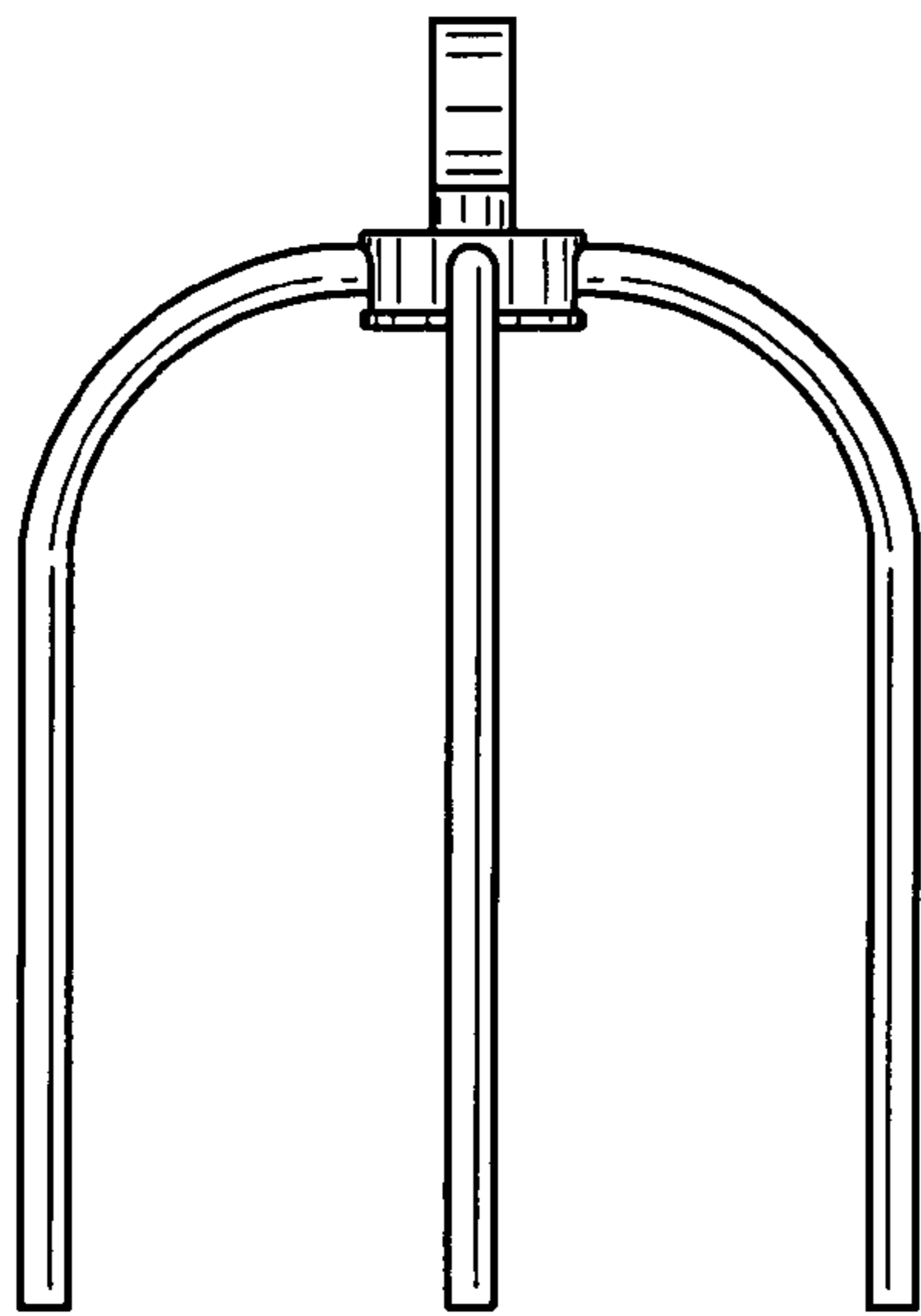


FIG. 3

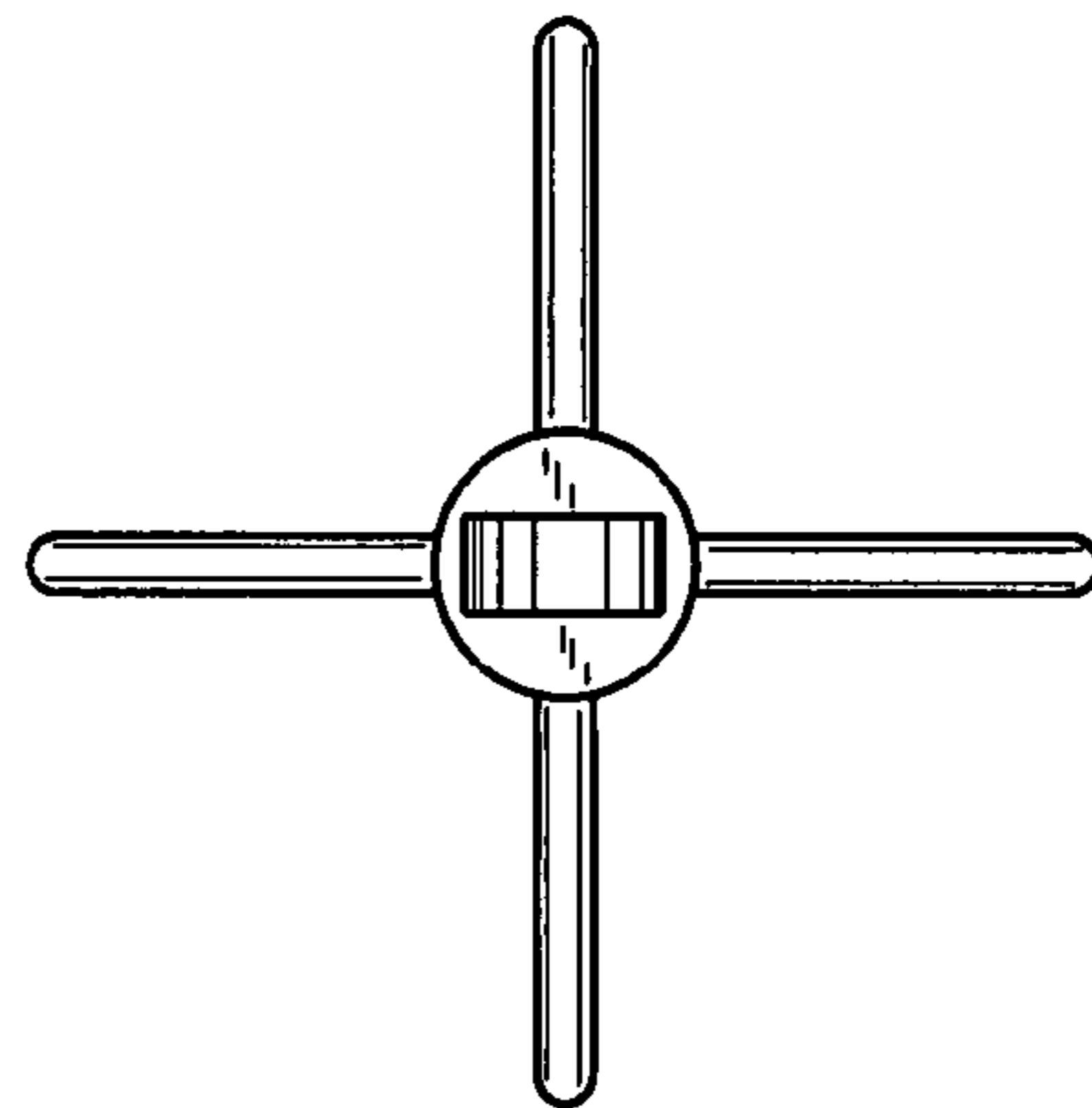


FIG. 4

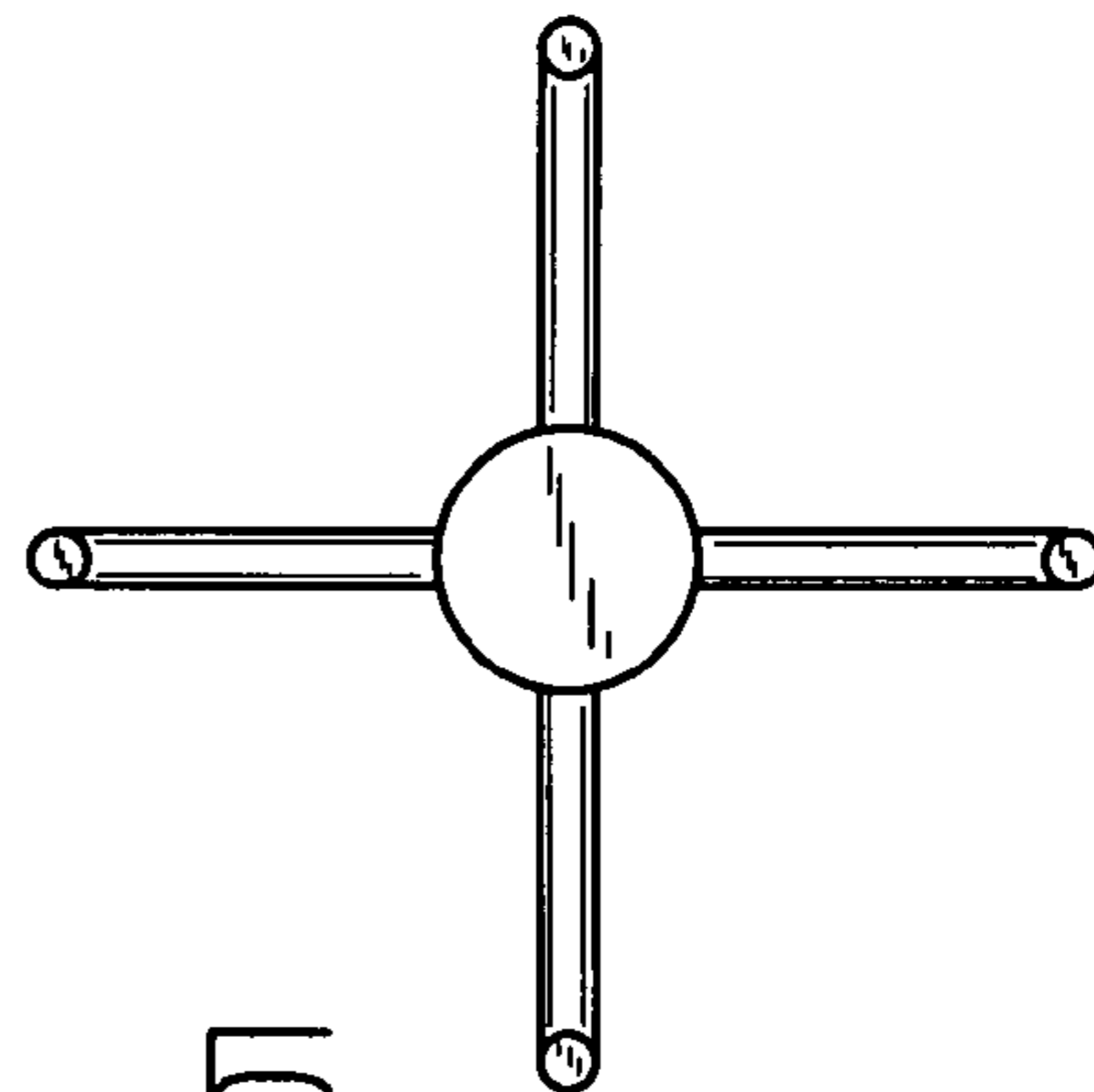


FIG. 5