



US00D585496S

(12) **United States Design Patent**
Chen et al.

(10) **Patent No.:** **US D585,496 S**

(45) **Date of Patent:** **** Jan. 27, 2009**

(54) **WALL FILE**

D526,512 S * 8/2006 Hahn D6/476
D573,653 S * 7/2008 Chen et al. D19/90

(75) Inventors: **Peter Chen**, West Windsor, NJ (US);
Jungkun Lee, Edison, NJ (US)

* cited by examiner

(73) Assignee: **Officemate International Corp.**,
Edison, NJ (US)

Primary Examiner—Caron Veynar
Assistant Examiner—Karen E Eldridge Powers
(74) *Attorney, Agent, or Firm*—Daniel Kirshner

(**) Term: **14 Years**

(57) **CLAIM**

(21) Appl. No.: **29/285,579**

The ornamental design for a wall file, as shown and described.

(22) Filed: **Apr. 2, 2007**

DESCRIPTION

(51) **LOC (9) Cl.** **19-02**

(52) **U.S. Cl.** **D19/90**

(58) **Field of Classification Search** D6/553,
D6/573, 626; D19/65, 75, 86, 90, 91, 92,
D19/99, 100; 206/214, 215, 424, 425, 472,
206/473, 474, 475; 211/1, 11, 10, 32, 40,
211/42, 55, 126.13

See application file for complete search history.

FIG. 1 is a front perspective view of a wall file showing the new design;

FIG. 2 is a front elevational view thereof;

FIG. 3 is a rear elevational view thereof;

FIG. 4 is right side view thereof;

FIG. 5 is a left side view thereof;

FIG. 6 is a top thereof;

FIG. 7 is a bottom view thereof; and,

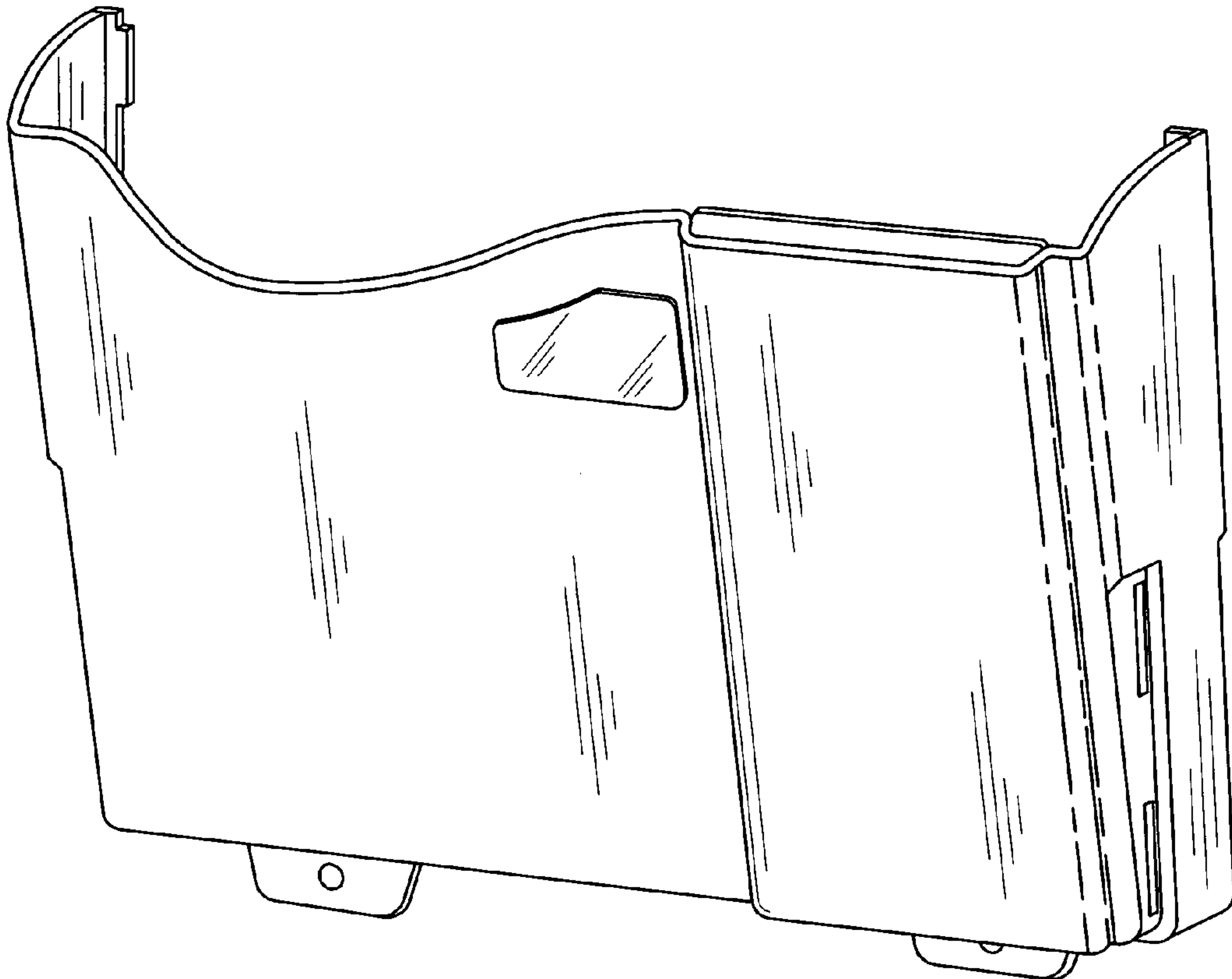
FIG. 8 is a front perspective view thereof, showing the claimed design while in use, where the broken lines therein depict environmental matter that forms no part of the claimed design.

(56) **References Cited**

U.S. PATENT DOCUMENTS

1,657,049 A * 1/1928 Sicklen, Jr. 224/543
3,464,135 A * 9/1969 Eidingen 40/701
D257,752 S * 1/1981 Rabig D6/510
D481,761 S * 11/2003 Walsh et al. D19/75
D504,469 S * 4/2005 Chen et al. D19/90

1 Claim, 8 Drawing Sheets



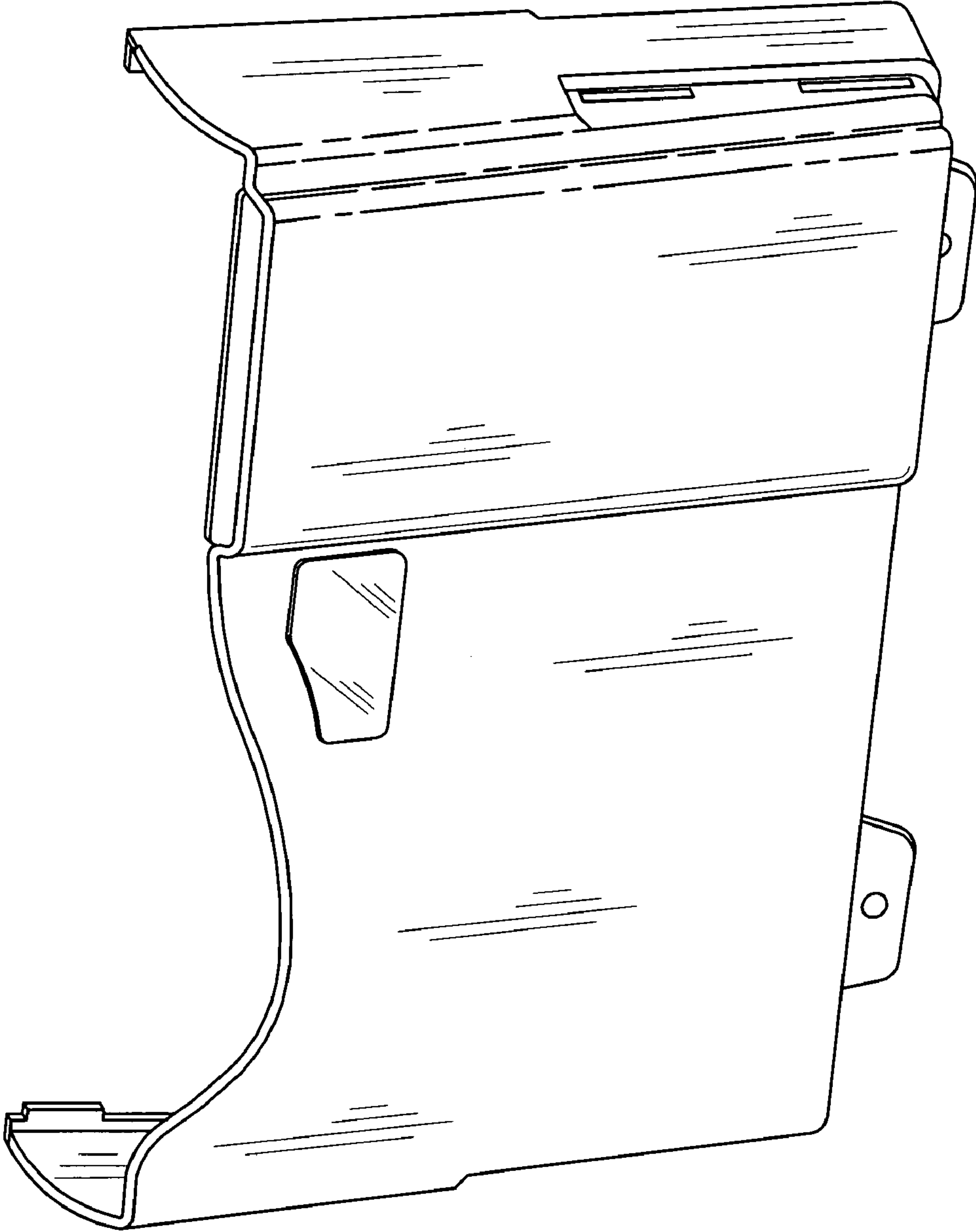


FIG. 1

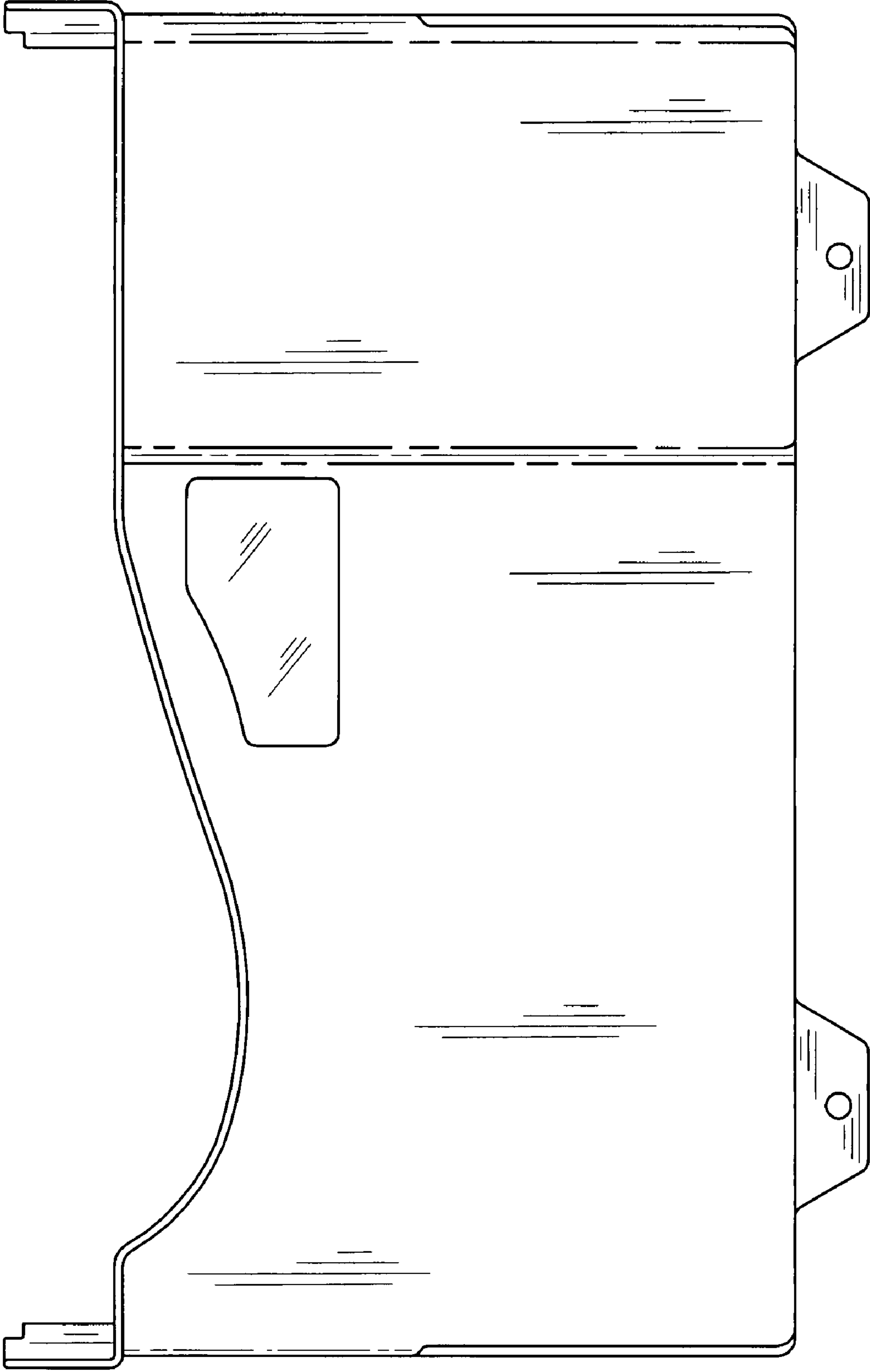


FIG. 2

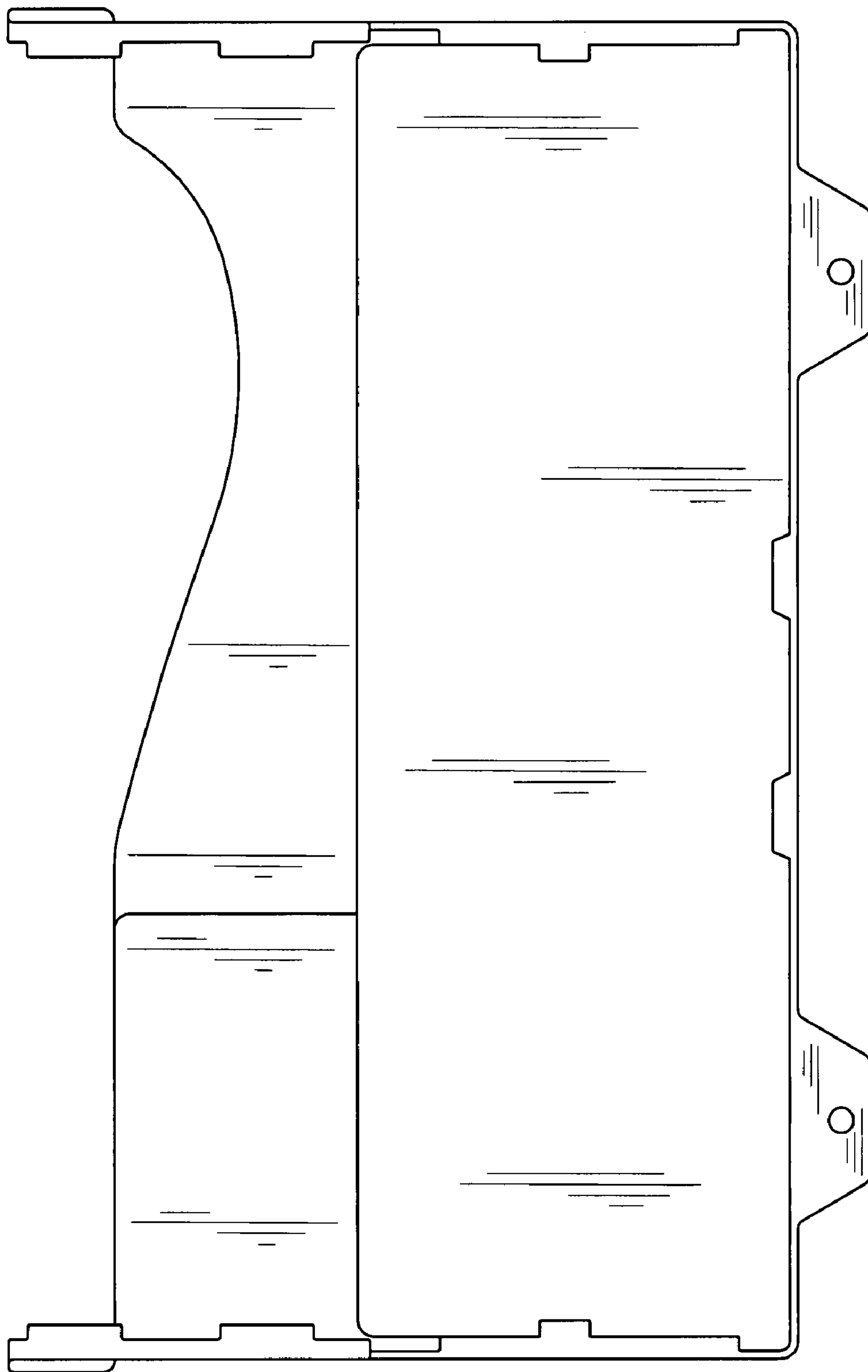


FIG. 3

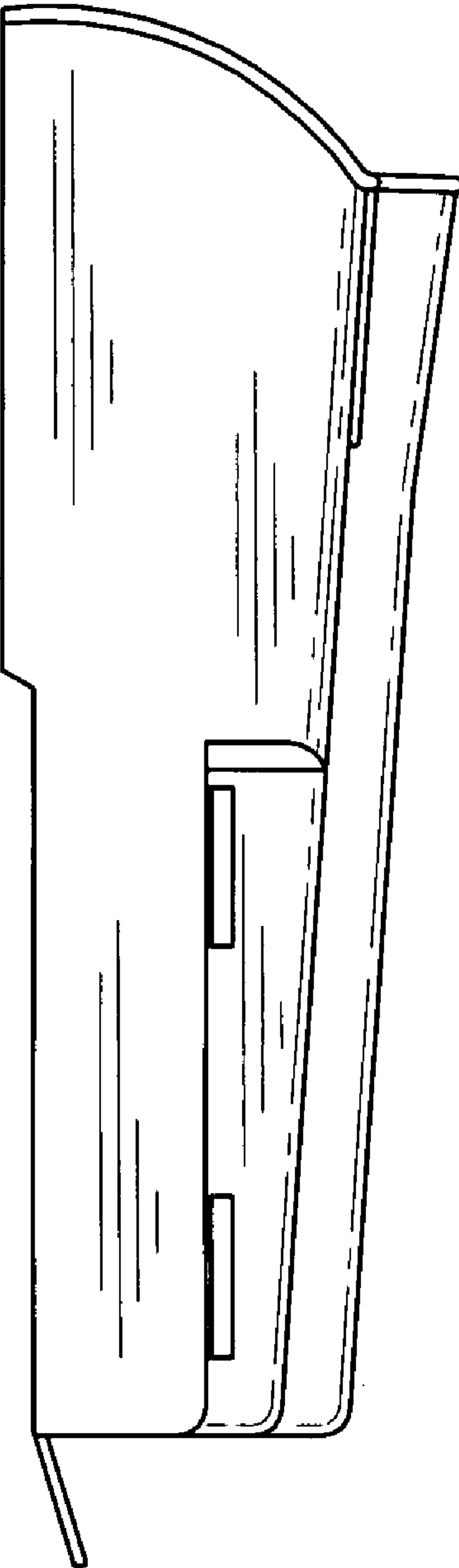


FIG. 4

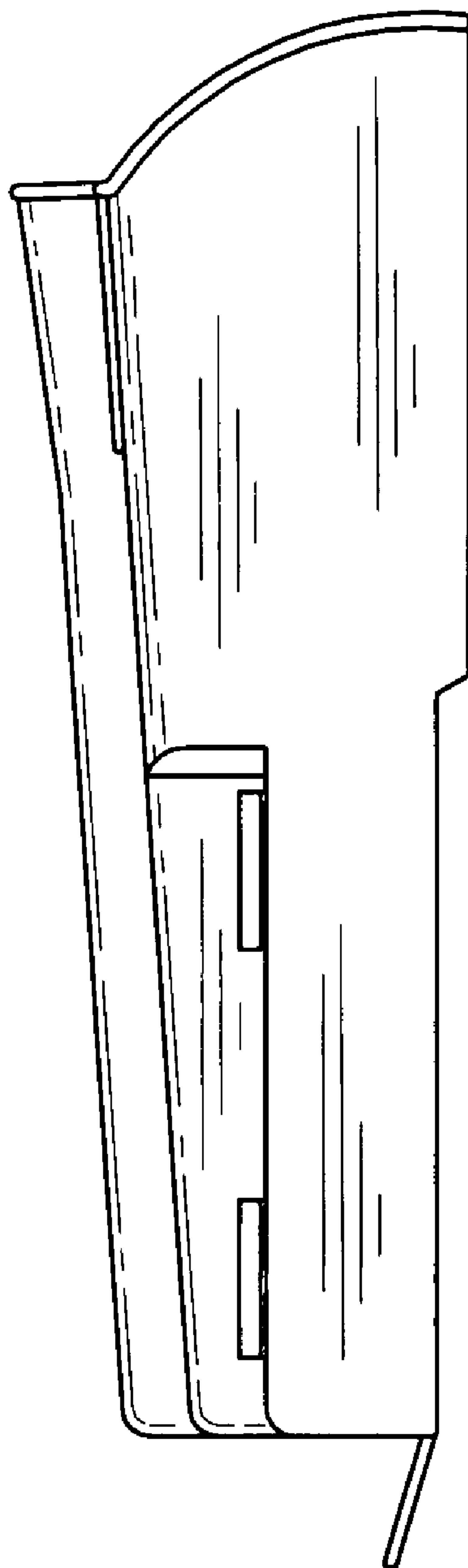


FIG. 5

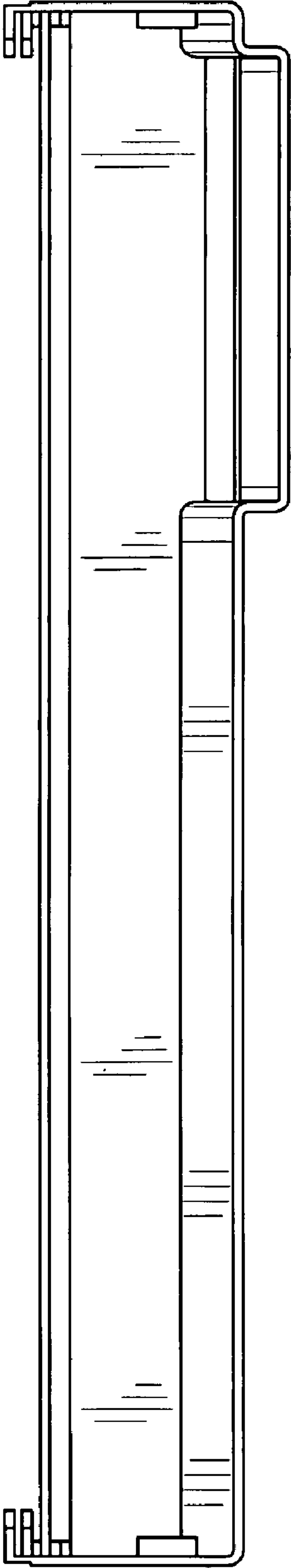


FIG. 6

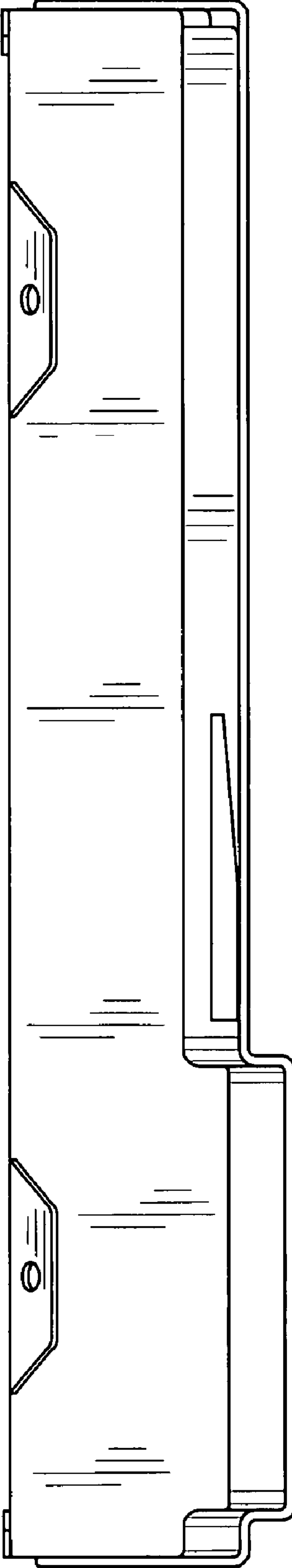


FIG. 7

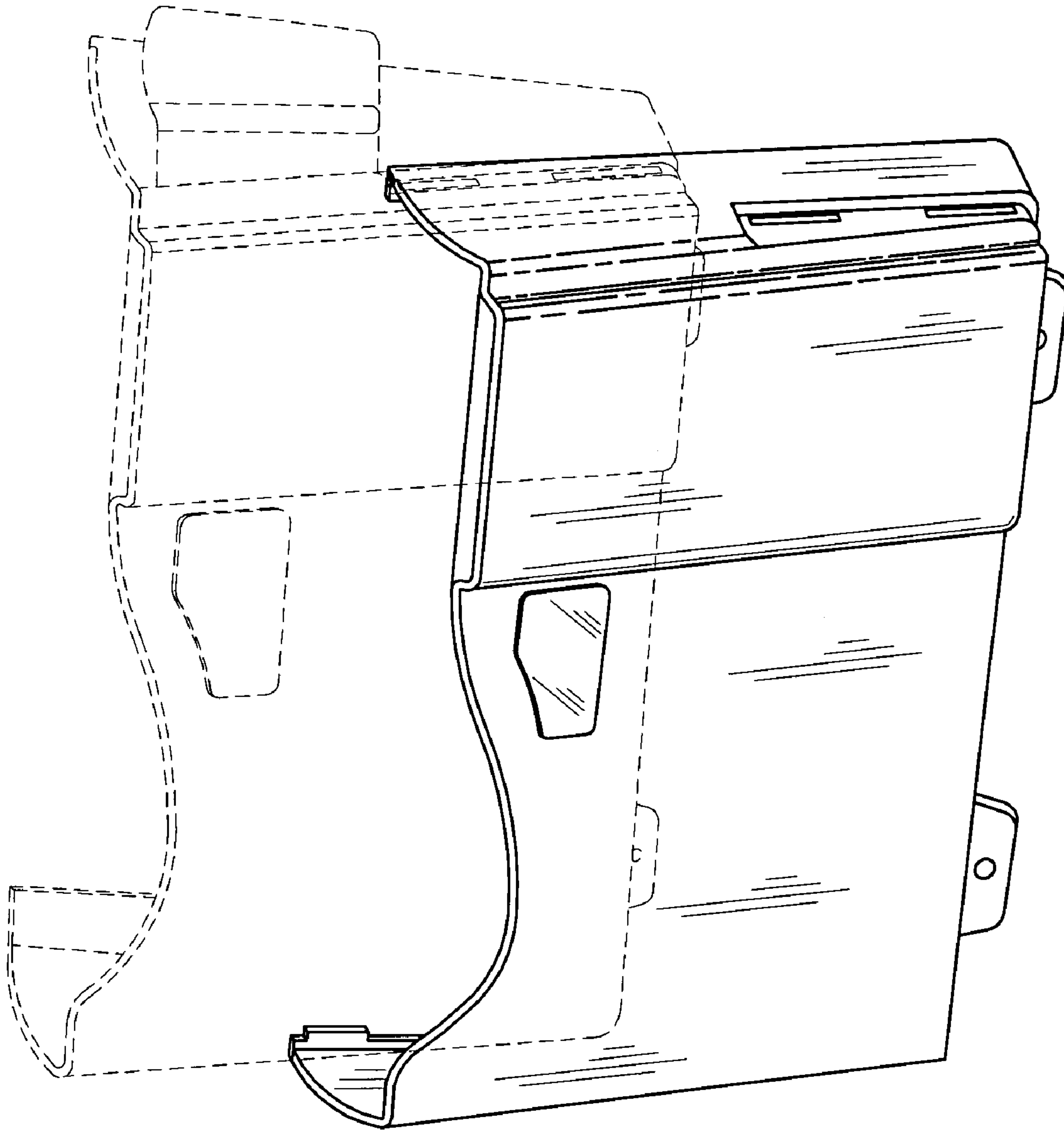


FIG. 8