



US00D585495S

(12) **United States Design Patent**
Yoshikawa

(10) **Patent No.:** **US D585,495 S**

(45) **Date of Patent:** **** Jan. 27, 2009**

(54) **DESKTOP ORGANIZER**

(75) Inventor: **Toshiyuki Yoshikawa**, Nara-ken (JP)

(73) Assignee: **Kabushiki Kaisha Yoshikawakuni Kogyosho** (JP)

(**) Term: **14 Years**

(21) Appl. No.: **29/279,226**

(22) Filed: **Apr. 24, 2007**

(51) **LOC (9) Cl.** **19-02**

(52) **U.S. Cl.** **D19/78**

(58) **Field of Classification Search** D3/313,
D3/901; D6/396, 405, 406.4, 449, 437, 467,
D6/473, 474, 512; D19/65, 75, 76, 77, 90,
D19/91, 92, 95; D28/61, 73; 132/73.5, 75;
206/371, 214; 211/10, 11, 55, 50, 52; 248/450;
281/44, 45

See application file for complete search history.

(56) **References Cited**

U.S. PATENT DOCUMENTS

D110,269 S *	6/1938	Churchill	D6/450
D138,130 S *	6/1944	Goodin	D3/309
D150,378 S *	7/1948	Spence	D6/474
D190,178 S *	4/1961	Goodyear	D6/570
D303,813 S *	10/1989	Foran et al.	D19/77
D316,565 S *	4/1991	Rust	D19/75
D322,728 S *	12/1991	Berman	D6/476

* cited by examiner

Primary Examiner—Caron Veynar
Assistant Examiner—Karen E Eldridge Powers
(74) *Attorney, Agent, or Firm*—Vedder Price P.C.

(57) **CLAIM**

The ornamental design for a desktop organizer, as shown and described.

DESCRIPTION

The present invention is an easily portable desktop organizer in which, small articles on the desk, writing materials such as pencils, documents, files, and the like are put together.

FIG. 1 is a perspective view of a desktop organizer showing my new design;

FIG. 2 is a front view thereof;

FIG. 3 is a rear view thereof;

FIG. 4 is a plan view thereof;

FIG. 5 is a bottom view thereof;

FIG. 6 is a side view thereof;

FIG. 7 is a sectional view thereof taken along line 7—7 of FIG. 2; and,

FIG. 8 is a sectional view thereof taken along line 8—8 of FIG. 6.

The desktop organizer is divided by inside walls into an upper part, a middle part, and a lower part. The middle part is optionally divided by detachable partitions. In the lower part, boxes for small articles are provided.

1 Claim, 4 Drawing Sheets

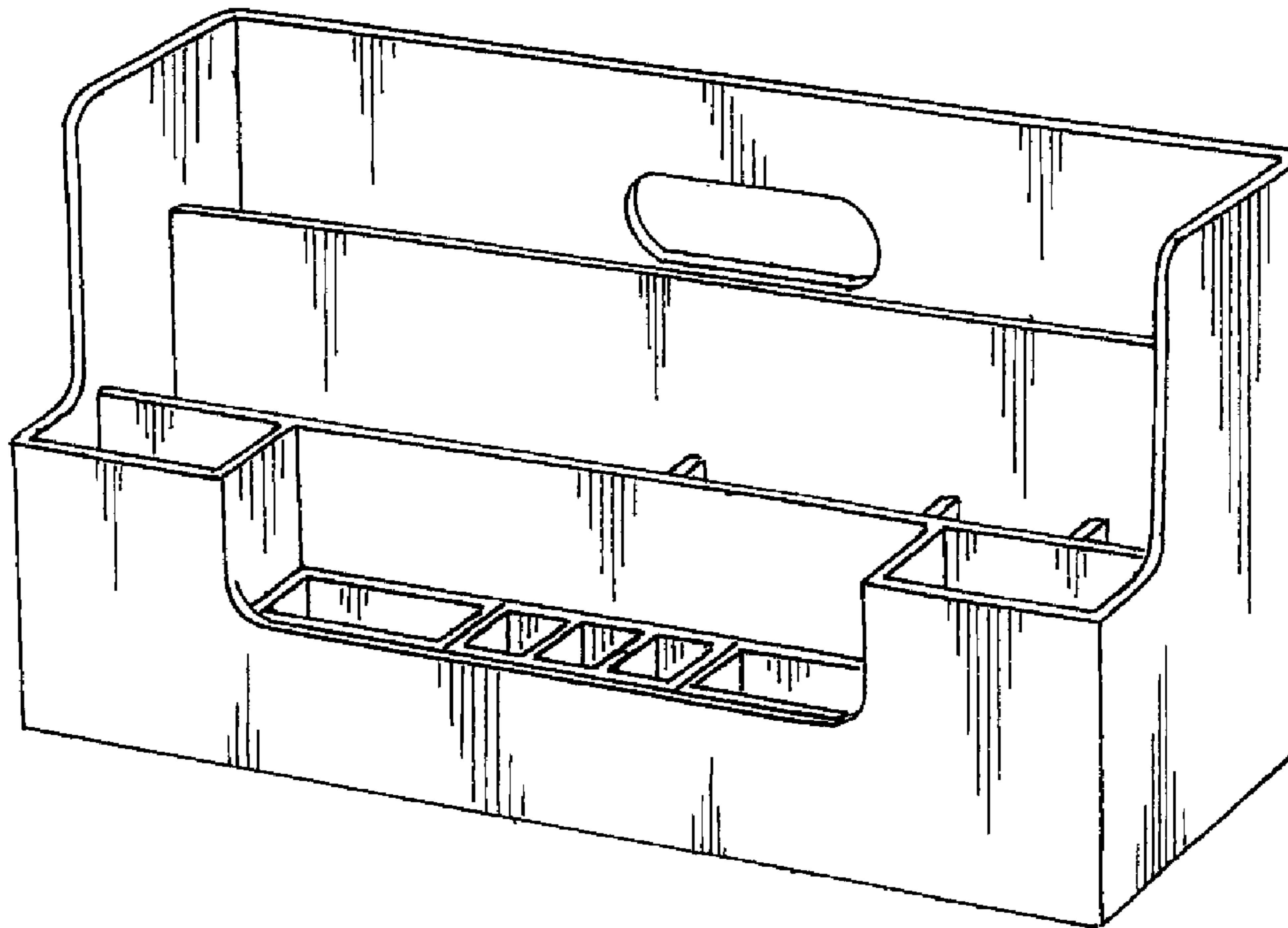


Fig. 1

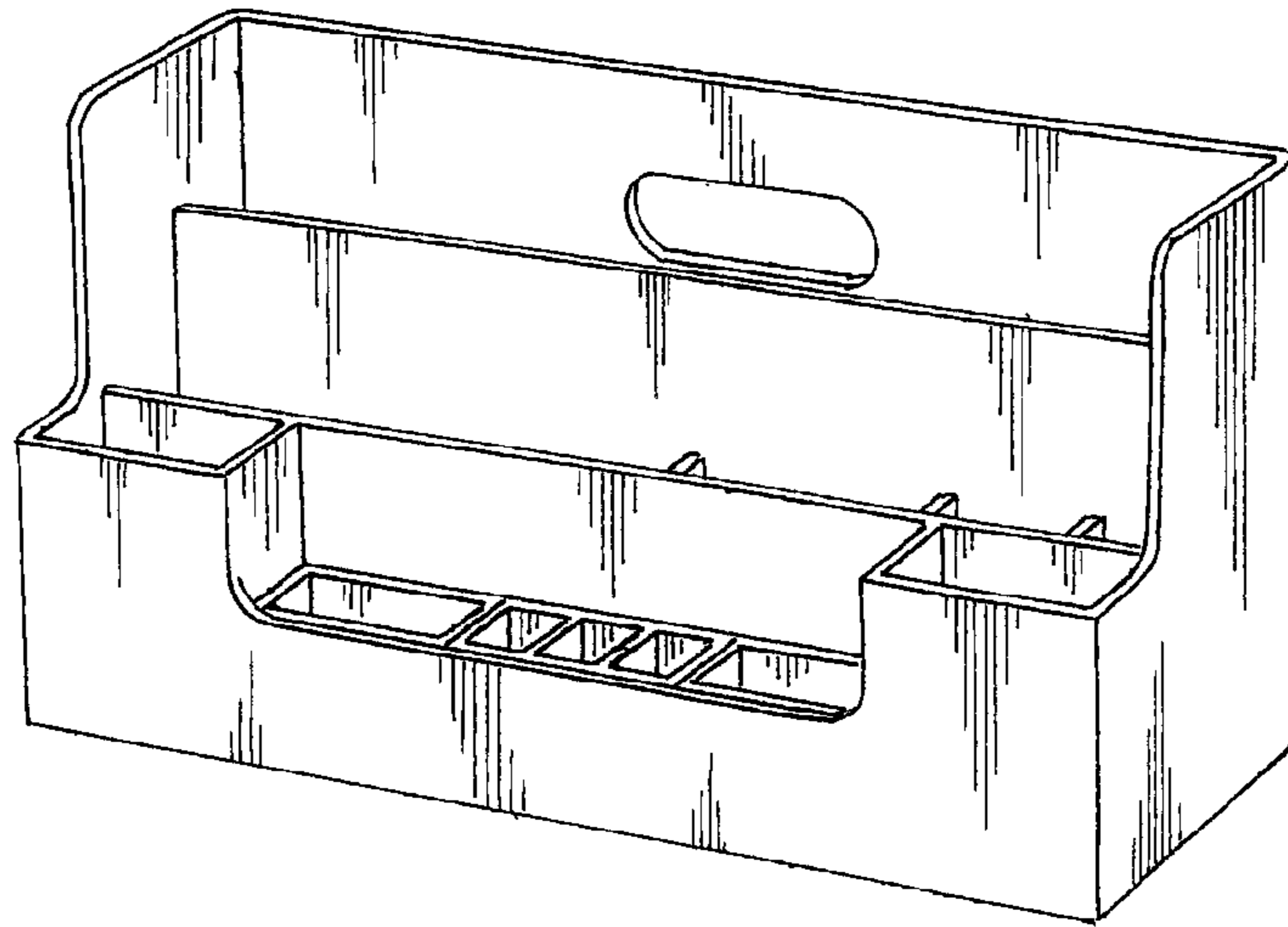


Fig. 2

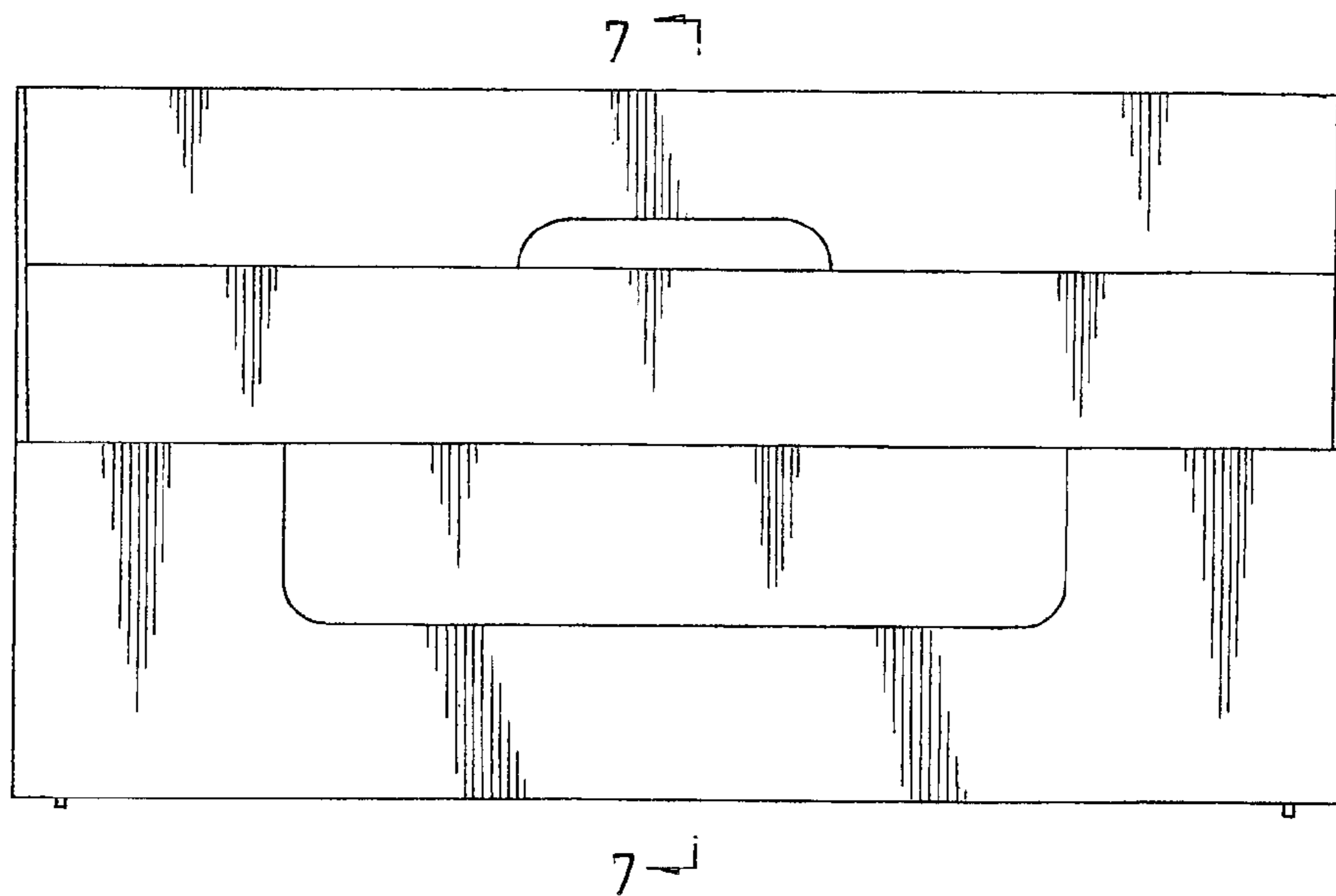


Fig. 3

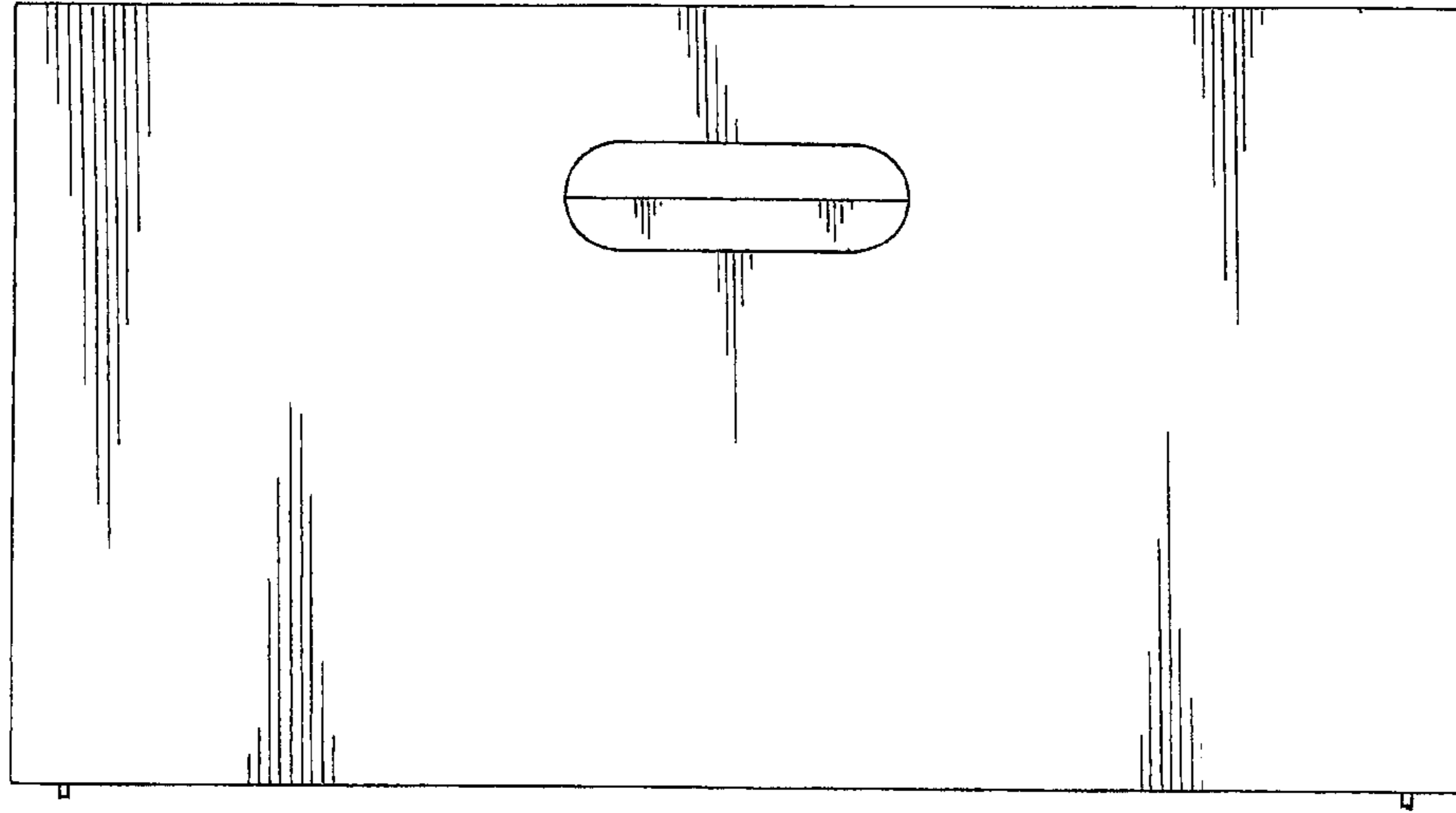


Fig. 4

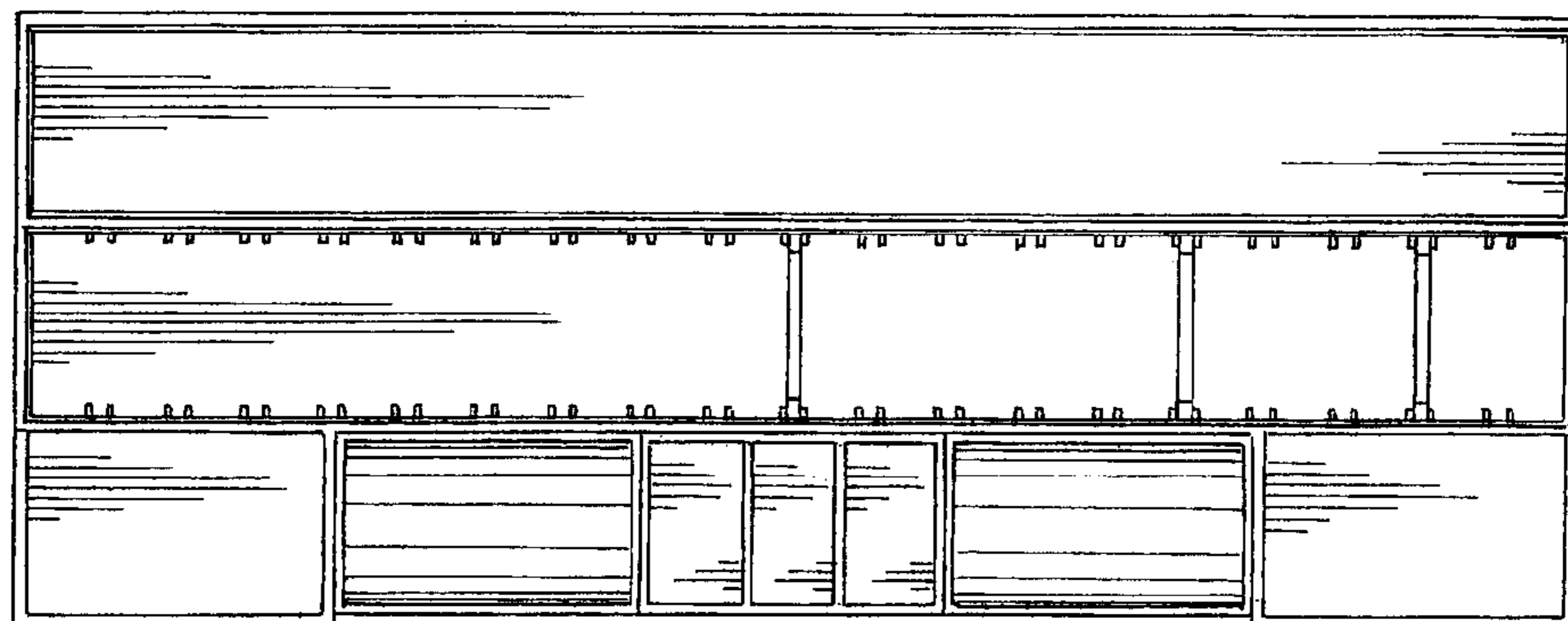


Fig. 5

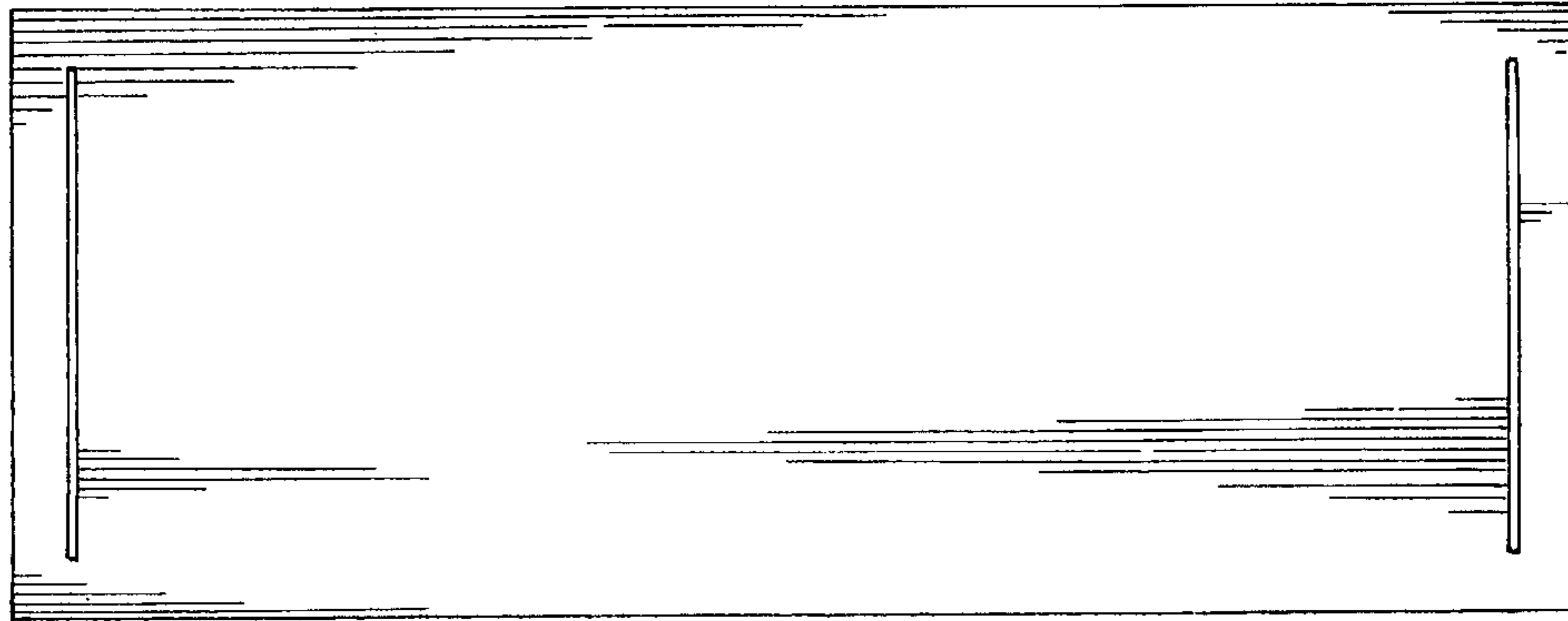


Fig. 6

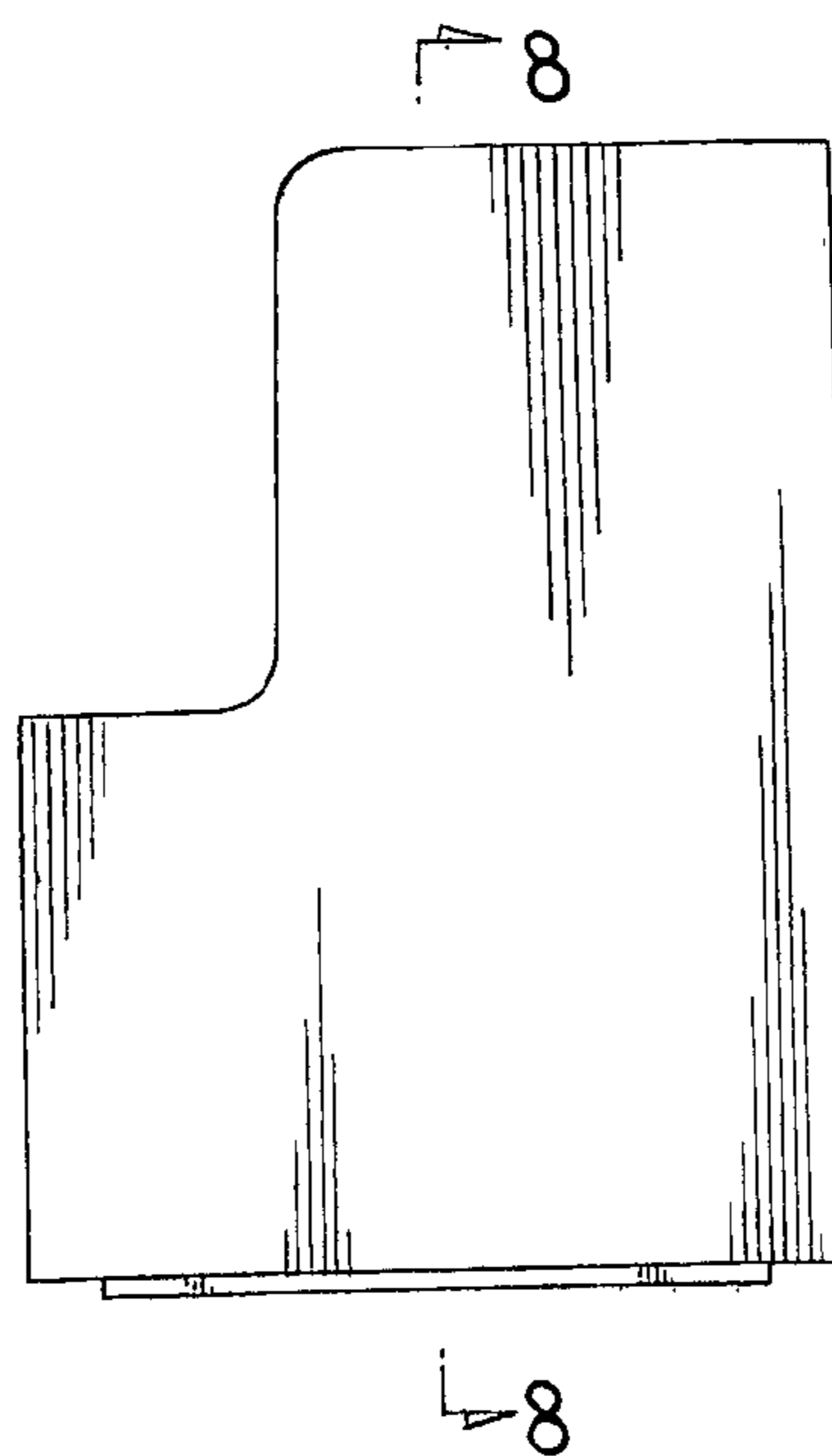


Fig. 7

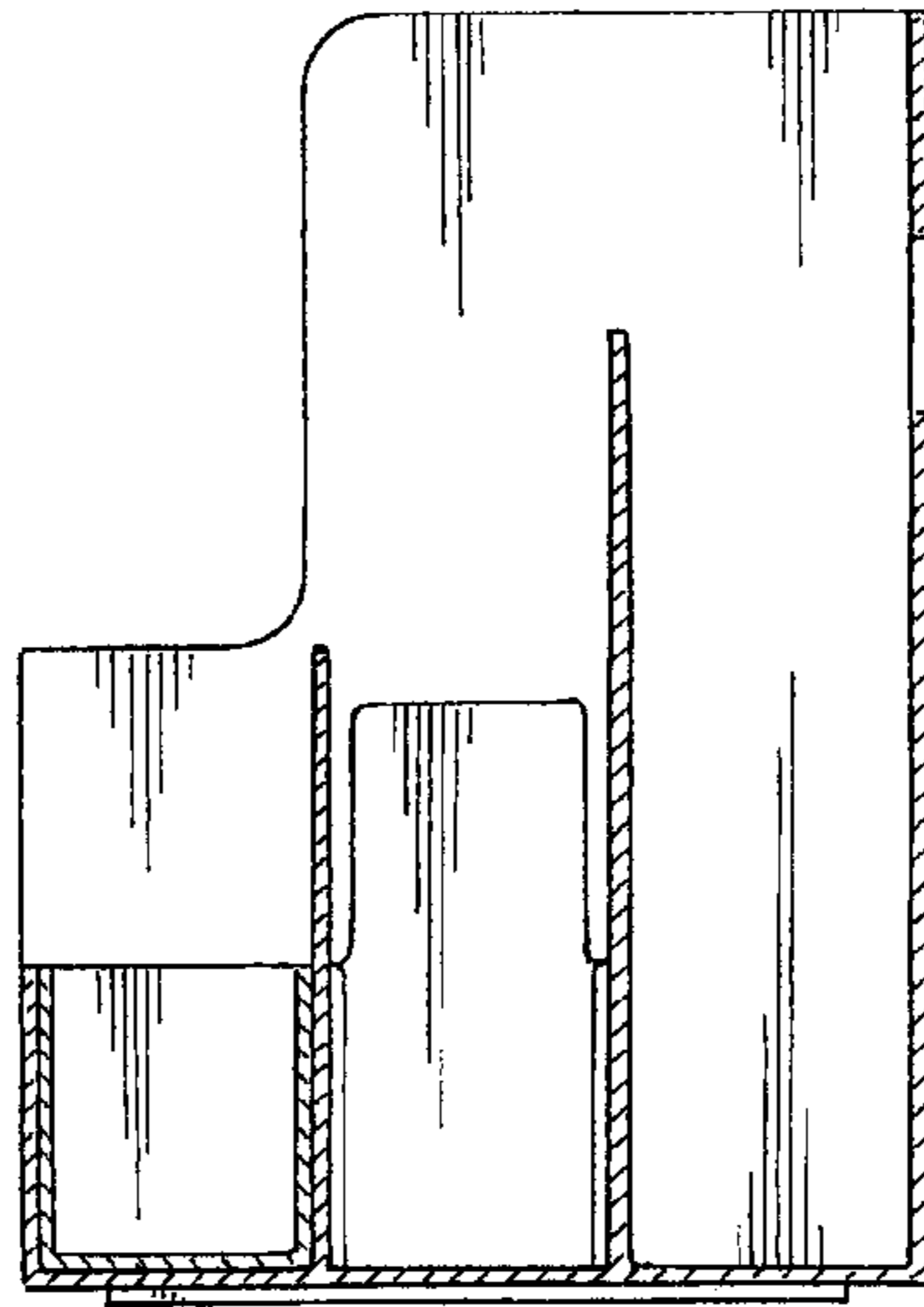


Fig. 8

