



US00D585488S

(12) **United States Design Patent**
Nozawa et al.

(10) **Patent No.:** **US D585,488 S**
(45) **Date of Patent:** **** Jan. 27, 2009**

(54) **INK CARTRIDGE**

(75) Inventors: **Izumi Nozawa**, Matsumoto (JP);
Hitotoshi Kimura, Matsumoto (JP)

(73) Assignee: **Seiko Epson Corporation** (JP)

(**) Term: **14 Years**

(21) Appl. No.: **29/292,532**

(22) Filed: **Oct. 15, 2007**

(30) **Foreign Application Priority Data**

Apr. 18, 2007 (JP) 2007-010333

(51) **LOC (9) Cl.** **18-02**

(52) **U.S. Cl.** **D18/56; 347/86**

(58) **Field of Classification Search** D18/12,
D18/43, 56; 347/85-87

See application file for complete search history.

(56) **References Cited**

U.S. PATENT DOCUMENTS

D464,672 S *	10/2002	Shinano et al.	D18/56
D477,020 S *	7/2003	Seino	D18/56
D528,598 S *	9/2006	Ishizawa et al.	D18/56
D573,180 S *	7/2008	Yoshino	D18/56
2007/0132820 A1 *	6/2007	Sato	347/86
2008/0024572 A1 *	1/2008	Kimura	347/86

2008/0030558 A1* 2/2008 Seino et al. 347/86

* cited by examiner

Primary Examiner—Cathy Anne MacCormac

(74) *Attorney, Agent, or Firm*—Harness, Dickey & Pierce, P.L.C.

(57) **CLAIM**

The ornamental design for an ink cartridge, as shown and described.

DESCRIPTION

FIG. 1 is a top front perspective view of an ink cartridge showing our new design;

FIG. 2 is a bottom front perspective view thereof;

FIG. 3 is a front view thereof;

FIG. 4 is a rear view thereof;

FIG. 5 is a top plan view thereof;

FIG. 6 is a bottom plan view thereof;

FIG. 7 is a right side elevational view thereof; and,

FIG. 8 is a left side elevational view thereof.

The broken lines are shown for illustrative purposes only and form no part of the claimed design. The dot-dashed lines denote the boundary of the claim, and form no part of the claimed design.

1 Claim, 6 Drawing Sheets

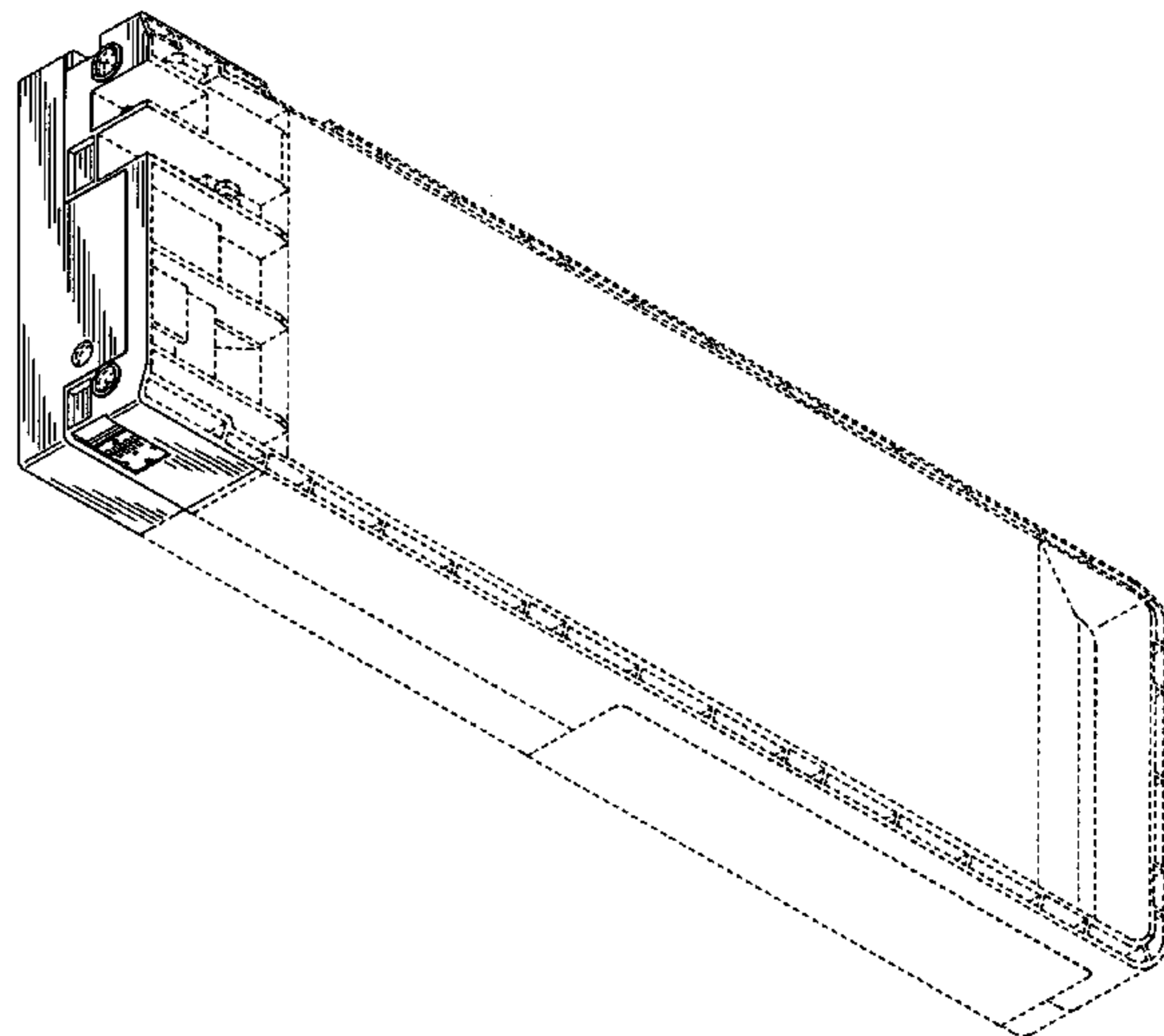
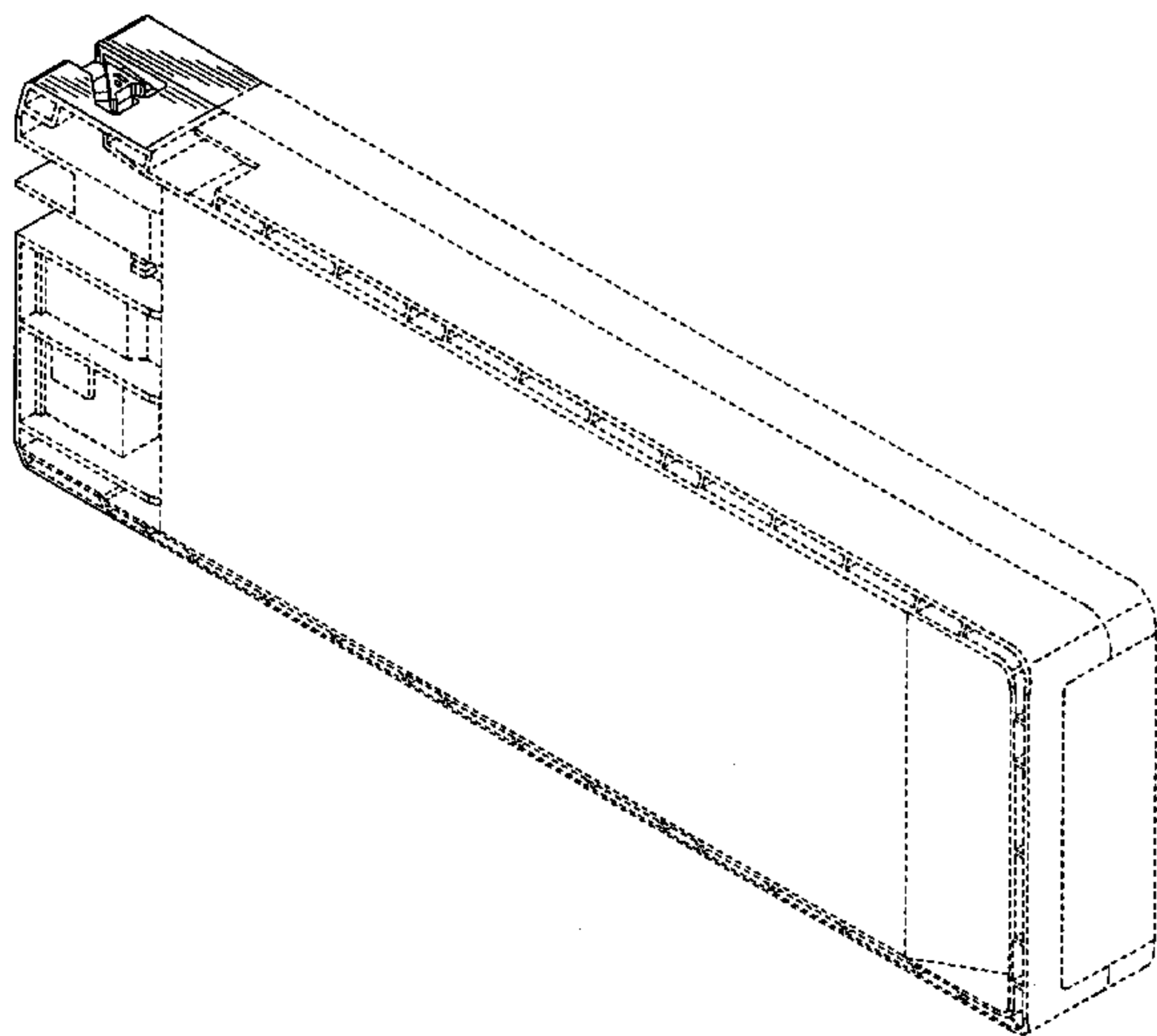


FIG. 1

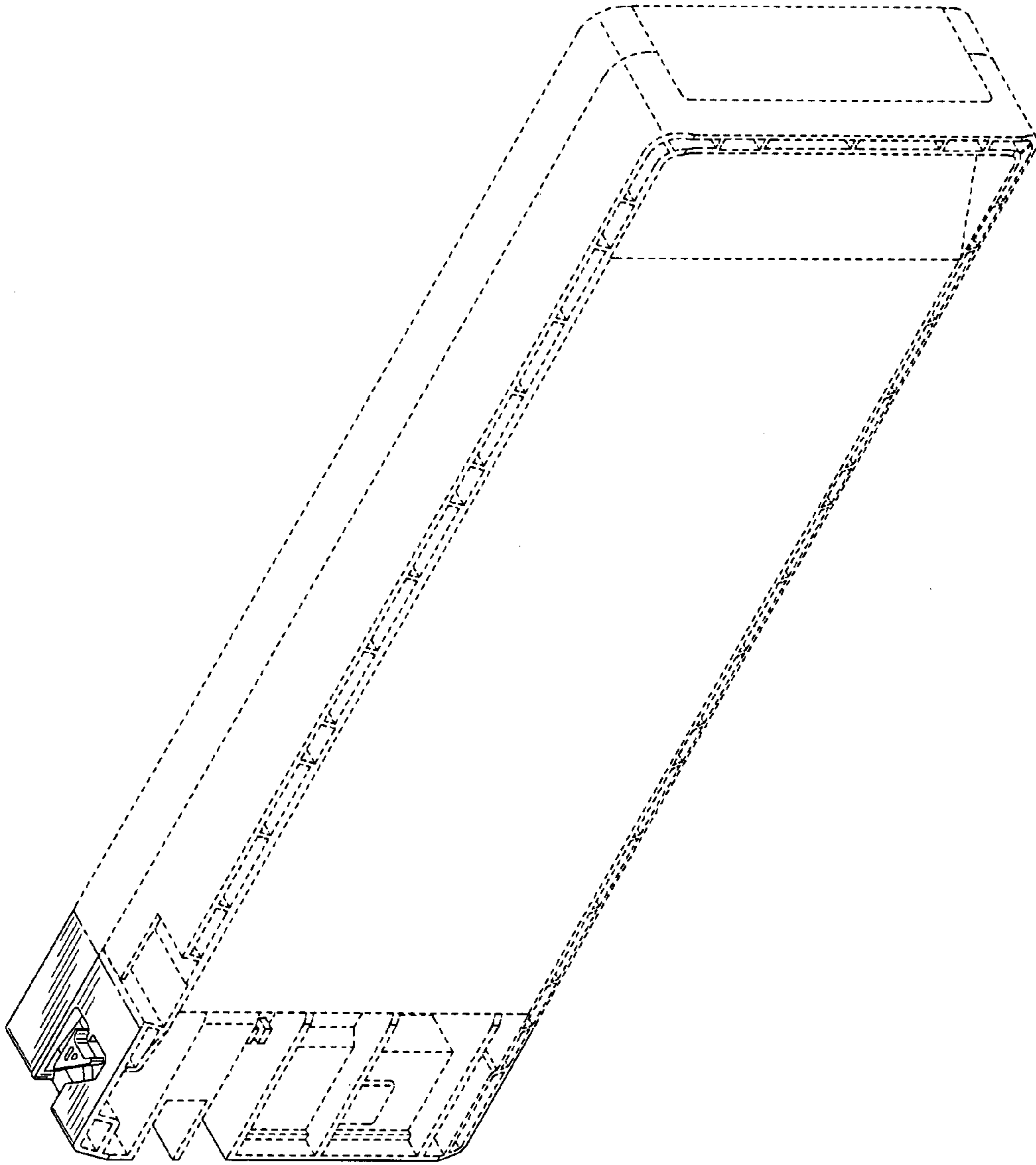


FIG. 2

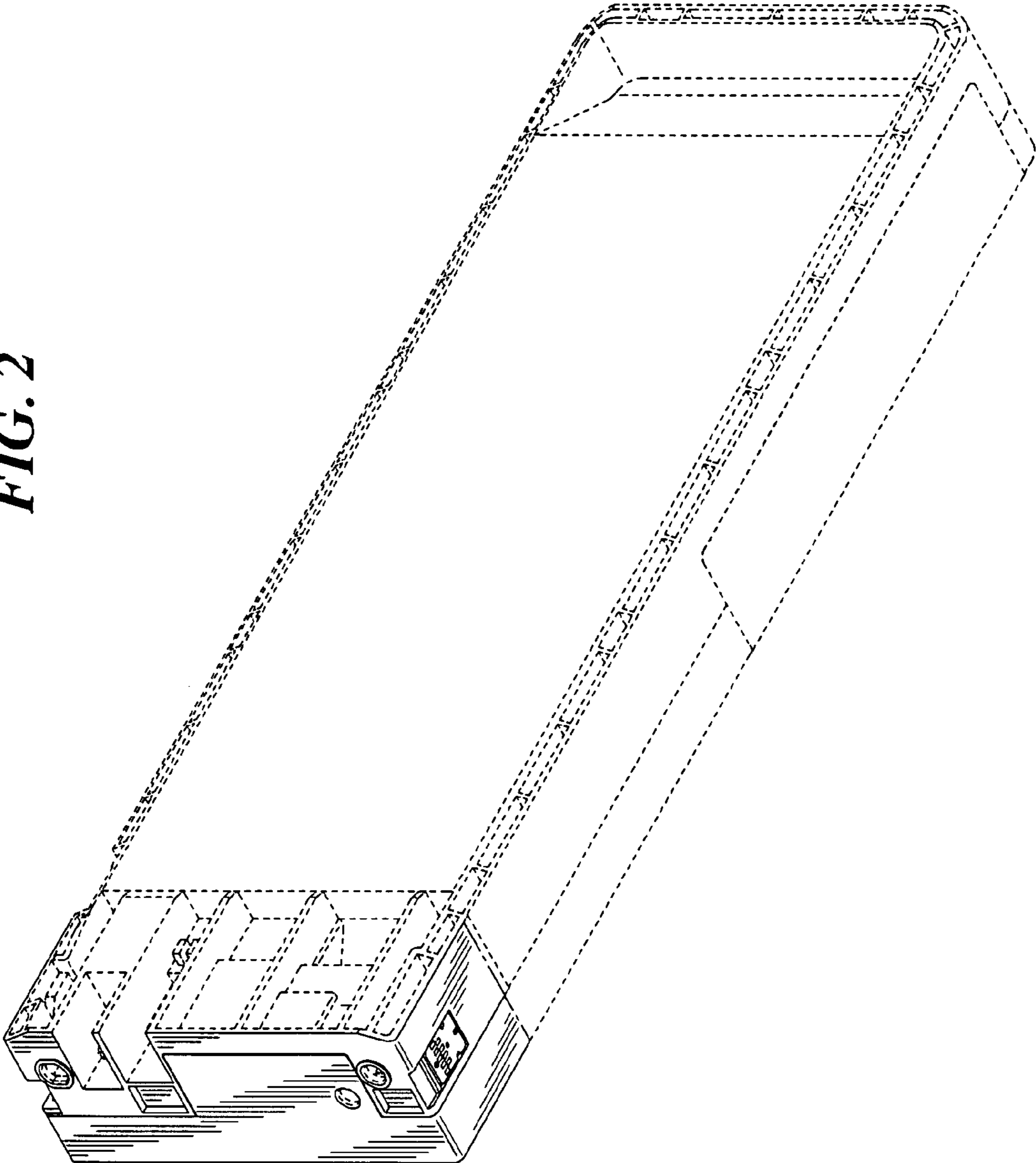


FIG. 3

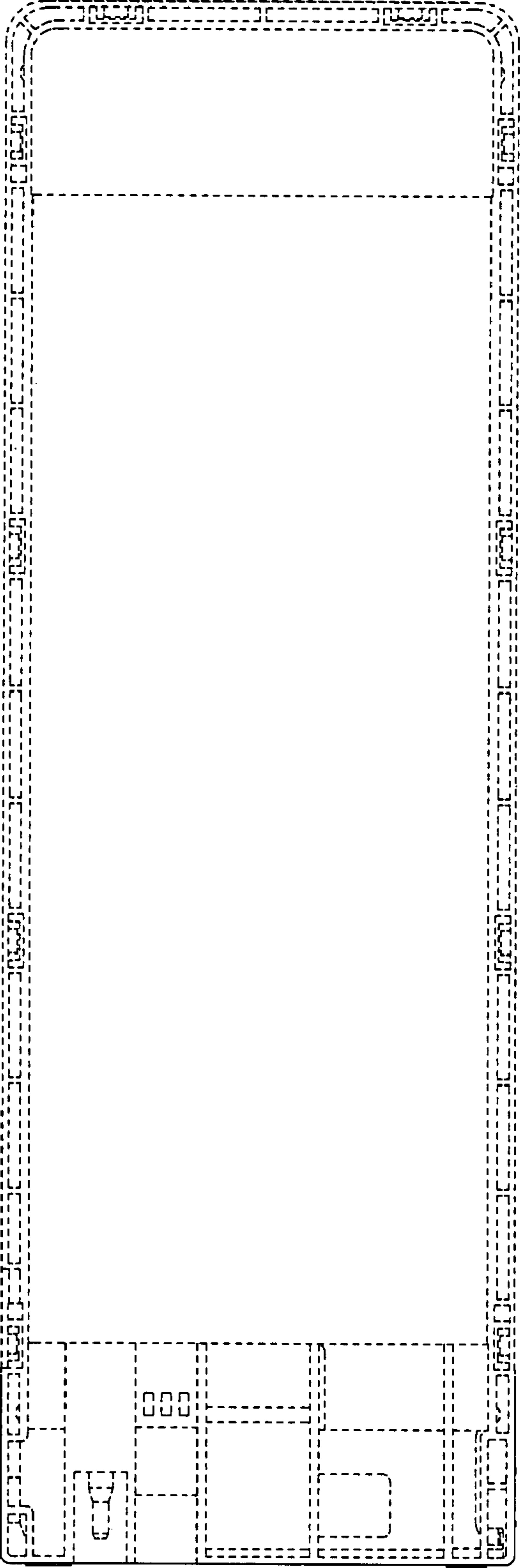


FIG. 4

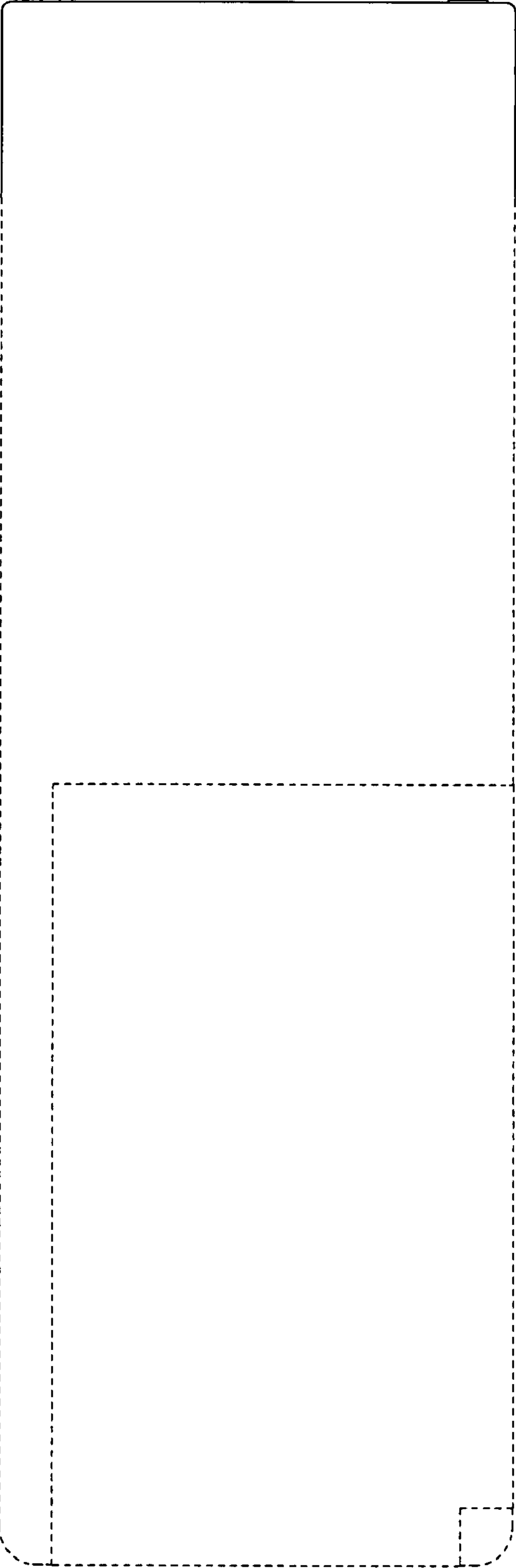


FIG. 5

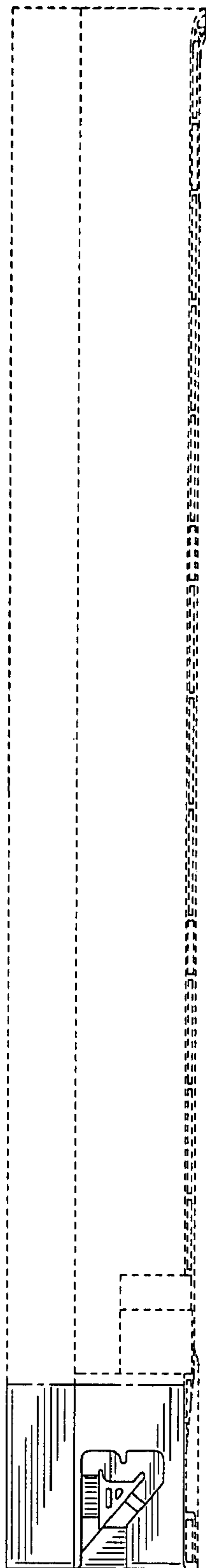


FIG. 6



FIG. 7

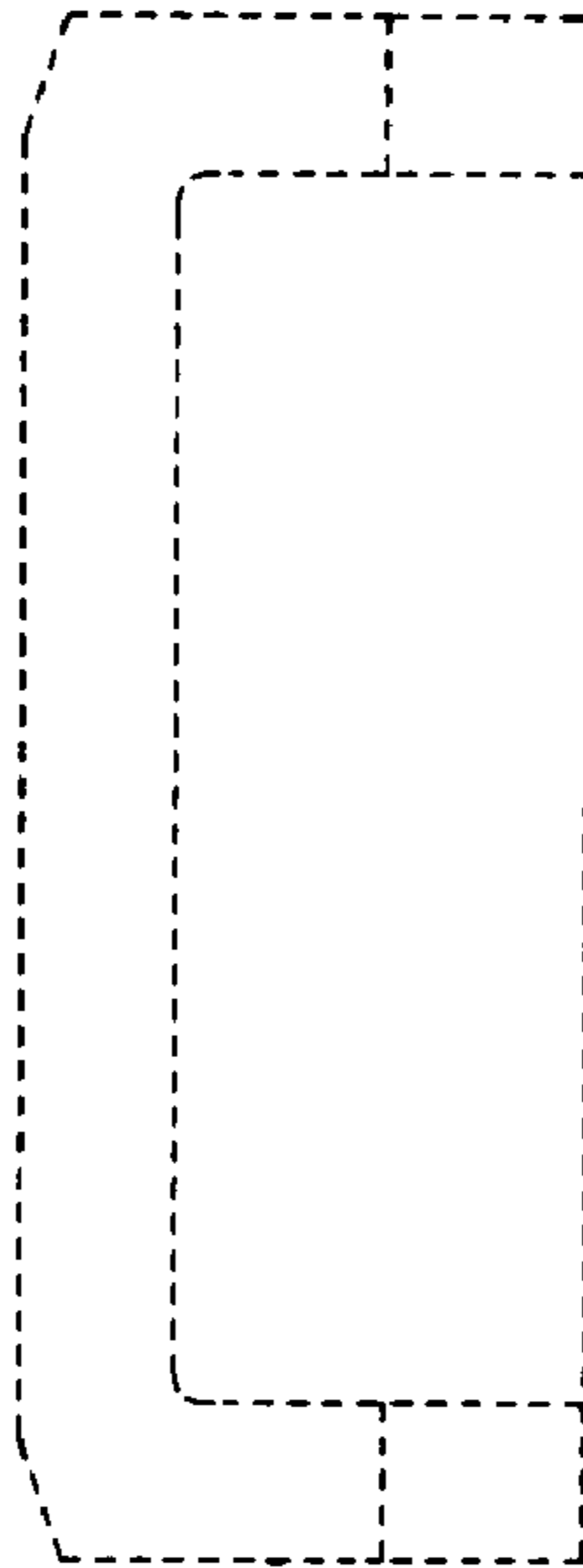


FIG. 8

