



US00D585486S

(12) **United States Design Patent**  
**Kanno et al.**

(10) **Patent No.:** **US D585,486 S**

(45) **Date of Patent:** **\*\* \*Jan. 27, 2009**

(54) **PRINTER**

D541,332 S \* 4/2007 Tsuchiya ..... D18/50

(75) Inventors: **Ryuta Kanno**, Tokyo (JP); **Hidefumi Goto**, Tokyo (JP)

FOREIGN PATENT DOCUMENTS

JP D1239813 S 5/2005

\* cited by examiner

(73) Assignee: **Sony Corporation**, Tokyo (JP)

*Primary Examiner*—Cathy Anne MacCormac  
(74) *Attorney, Agent, or Firm*—Rader, Fishman & Grauer, PLLC

(\*\*) Term: **14 Years**

(21) Appl. No.: **29/265,891**

(57) **CLAIM**

(22) Filed: **Sep. 12, 2006**

The ornamental design for a printer, as shown and described.

(51) **LOC (9) Cl.** ..... **18-02**

(52) **U.S. Cl.** ..... **D18/50**

(58) **Field of Classification Search** ..... D18/36–39,  
D18/50, 54, 54.1, 55; D14/420–425, 462–463;  
400/613, 613.1–613.4, 690.1–690.4, 691–694  
See application file for complete search history.

**DESCRIPTION**

FIG. 1 is a perspective view of a printer showing our new design;

FIG. 2 is a front elevational view thereof;

FIG. 3 is a rear elevational view thereof;

FIG. 4 is a left side elevational view thereof;

FIG. 5 is a right side elevational view thereof;

FIG. 6 is a top plan view thereof; and,

FIG. 7 is a bottom plan view thereof.

The broken lines are for purposes of illustration only and form no part of the claimed design.

(56) **References Cited**

U.S. PATENT DOCUMENTS

- D405,107 S \* 2/1999 Yokokawa ..... D18/50
- D439,899 S 4/2001 Kawase
- D466,551 S \* 12/2002 Nagai ..... D18/50
- D470,164 S 2/2003 Obata
- D533,585 S \* 12/2006 Park et al. .... D18/50
- D540,852 S \* 4/2007 Huang et al. .... D18/50

**1 Claim, 7 Drawing Sheets**

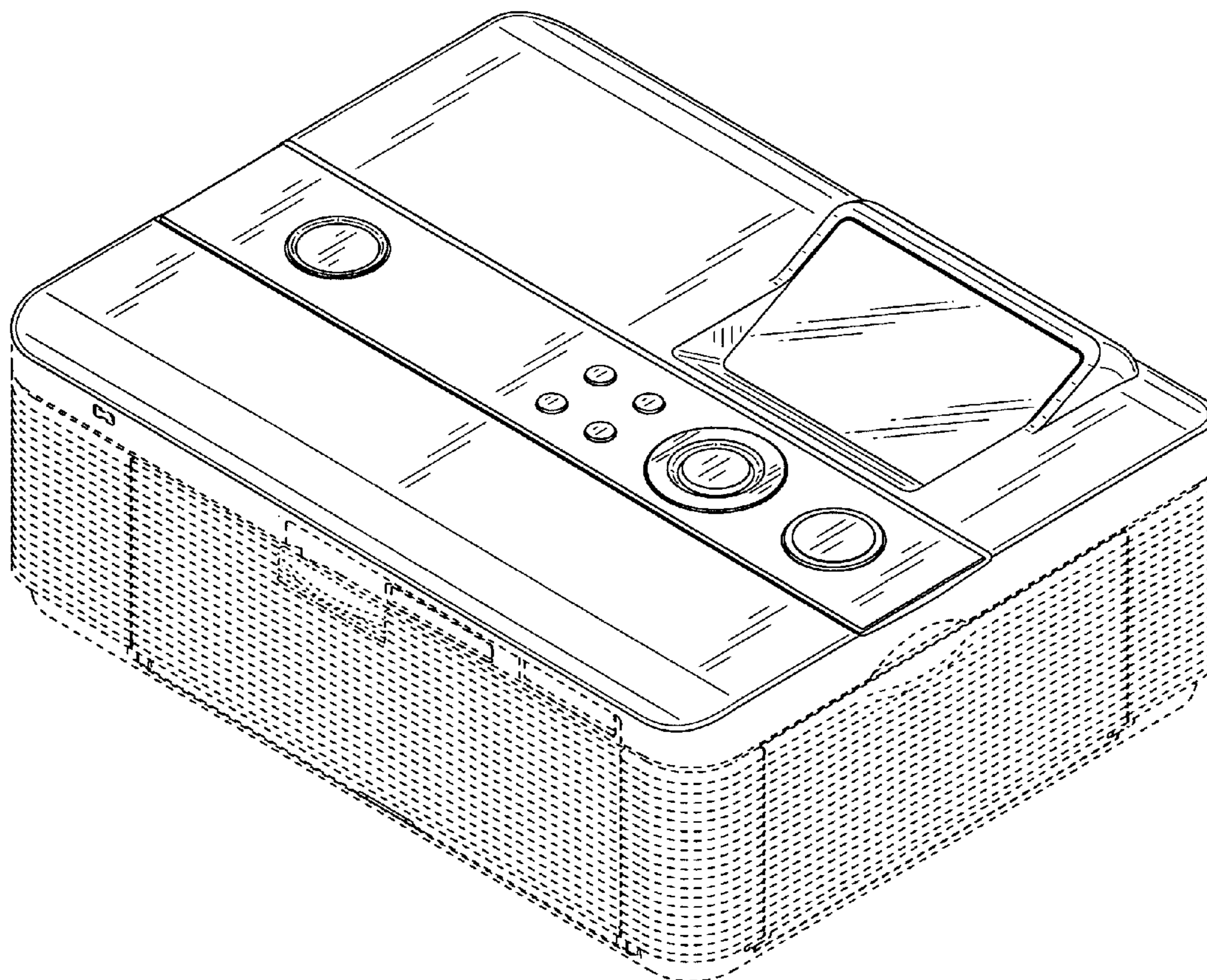


Fig.1

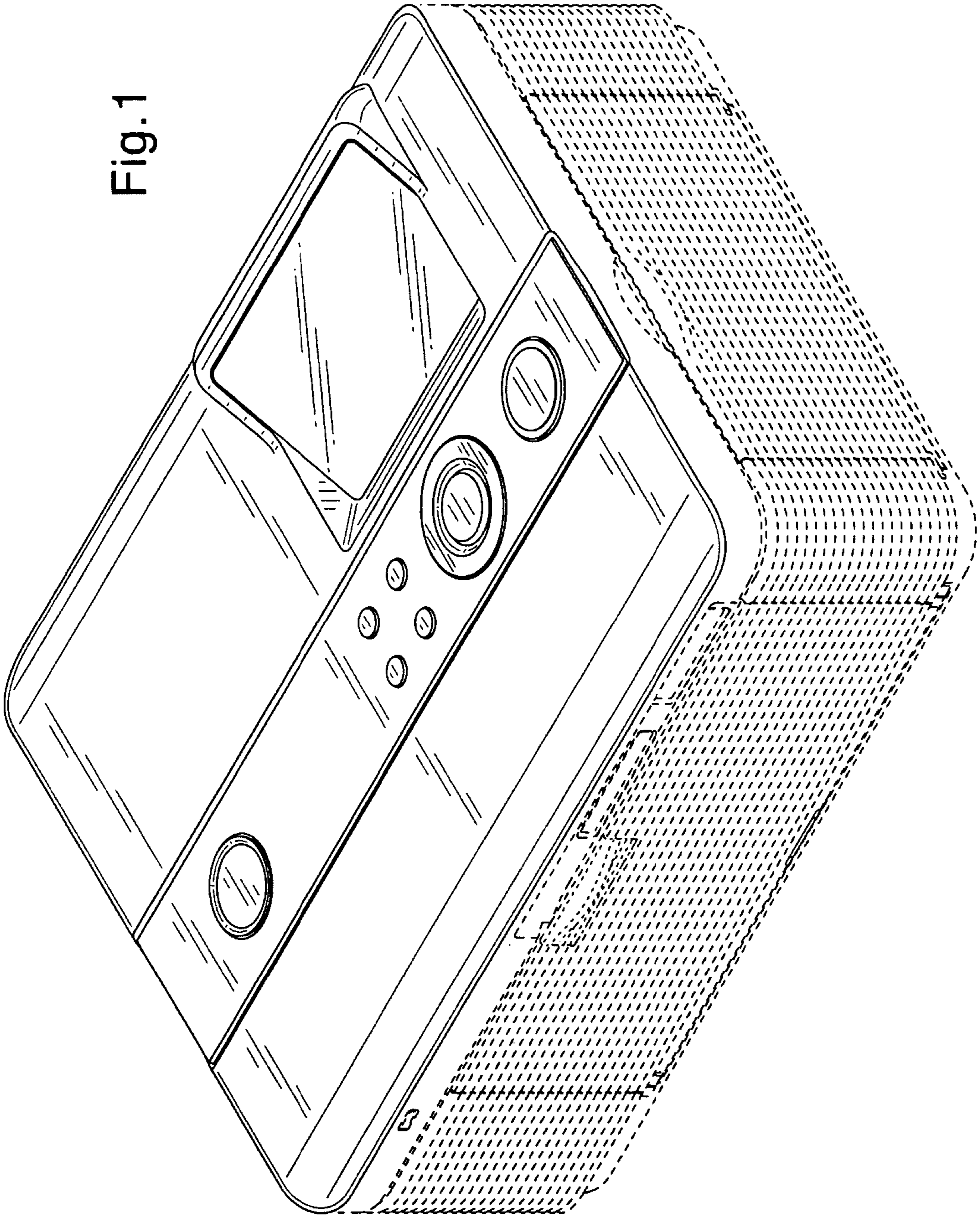


Fig. 2

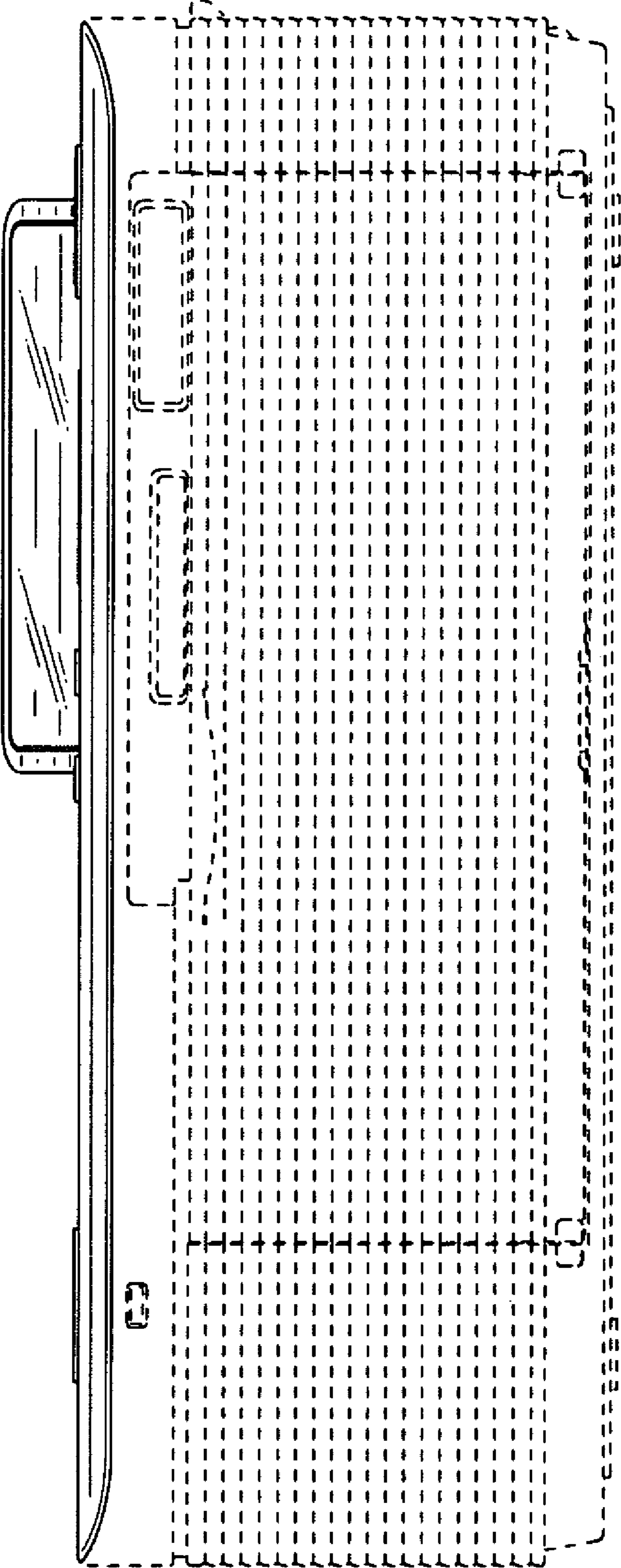


Fig. 3

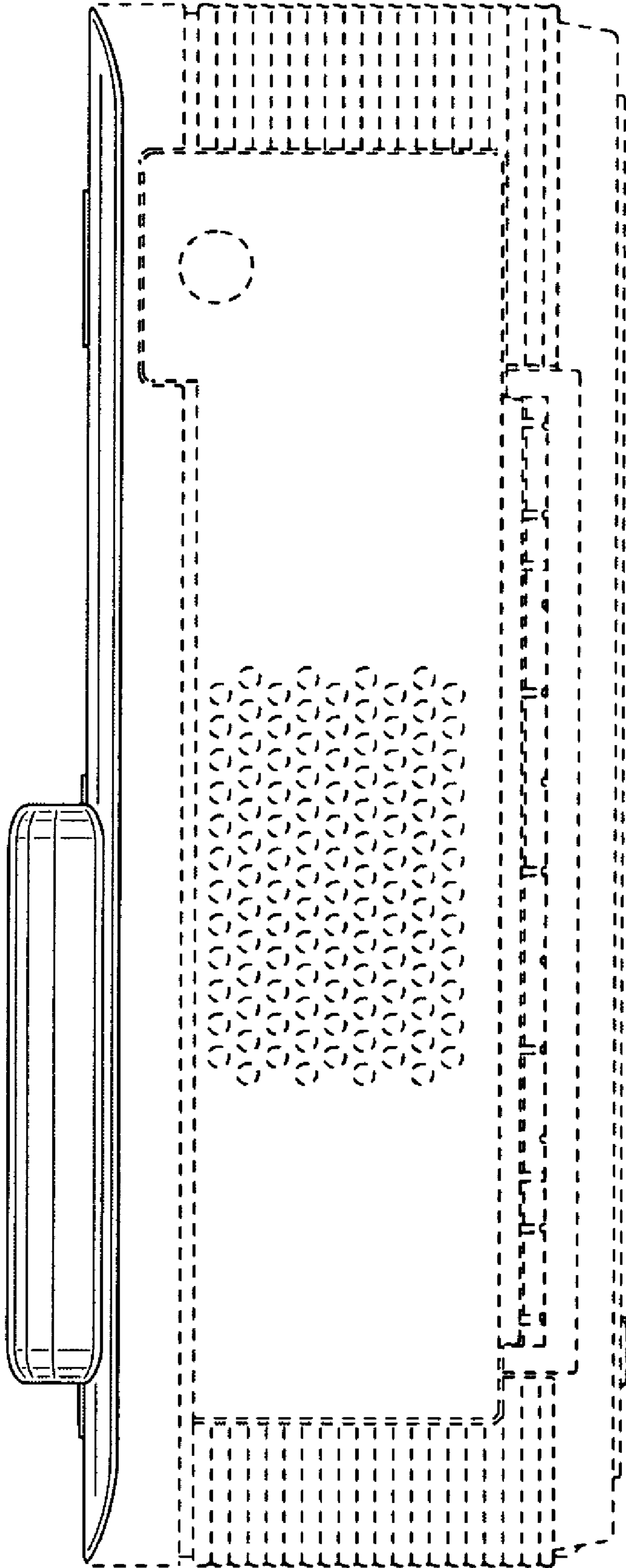


Fig. 4

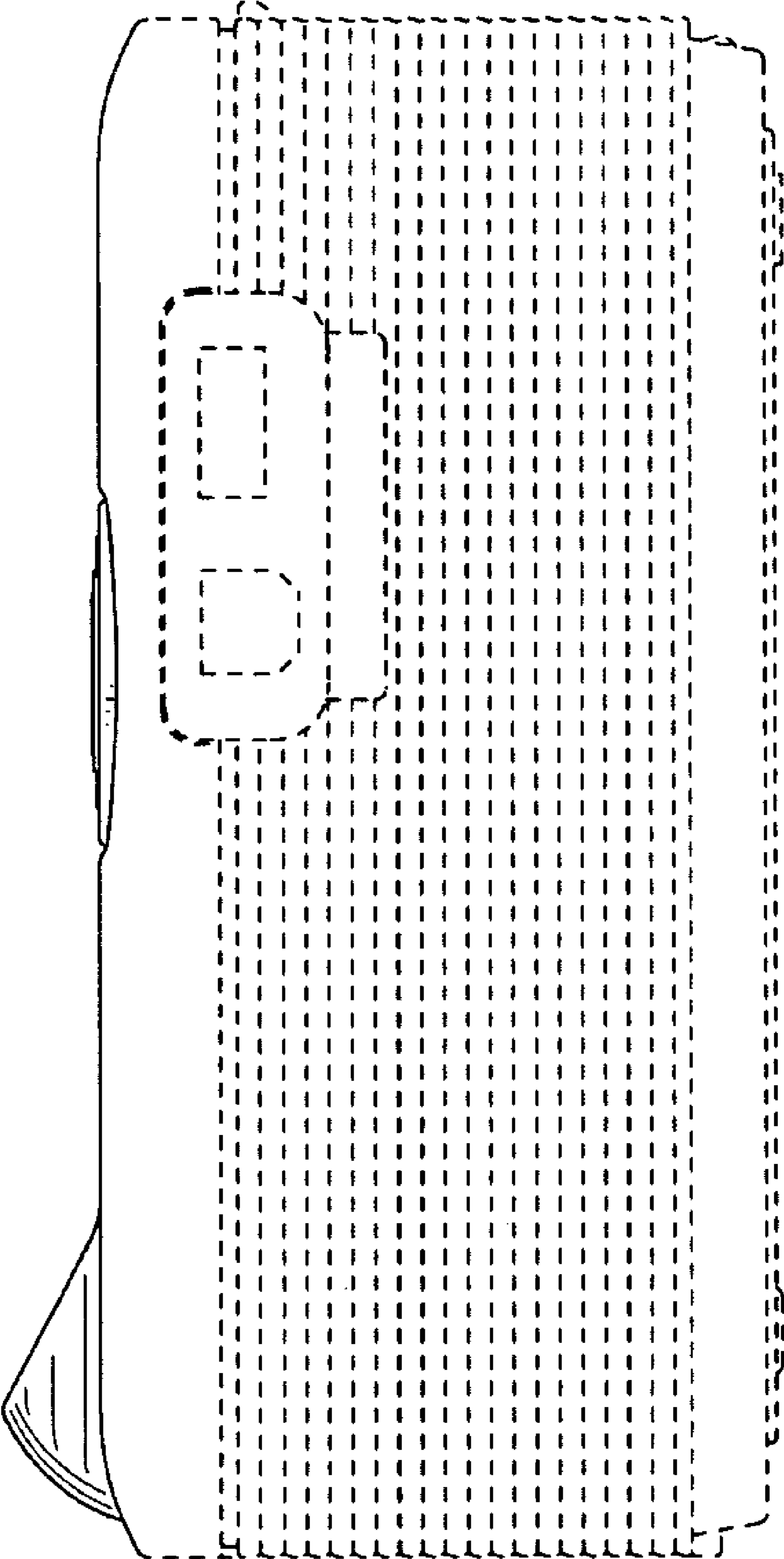


Fig. 5

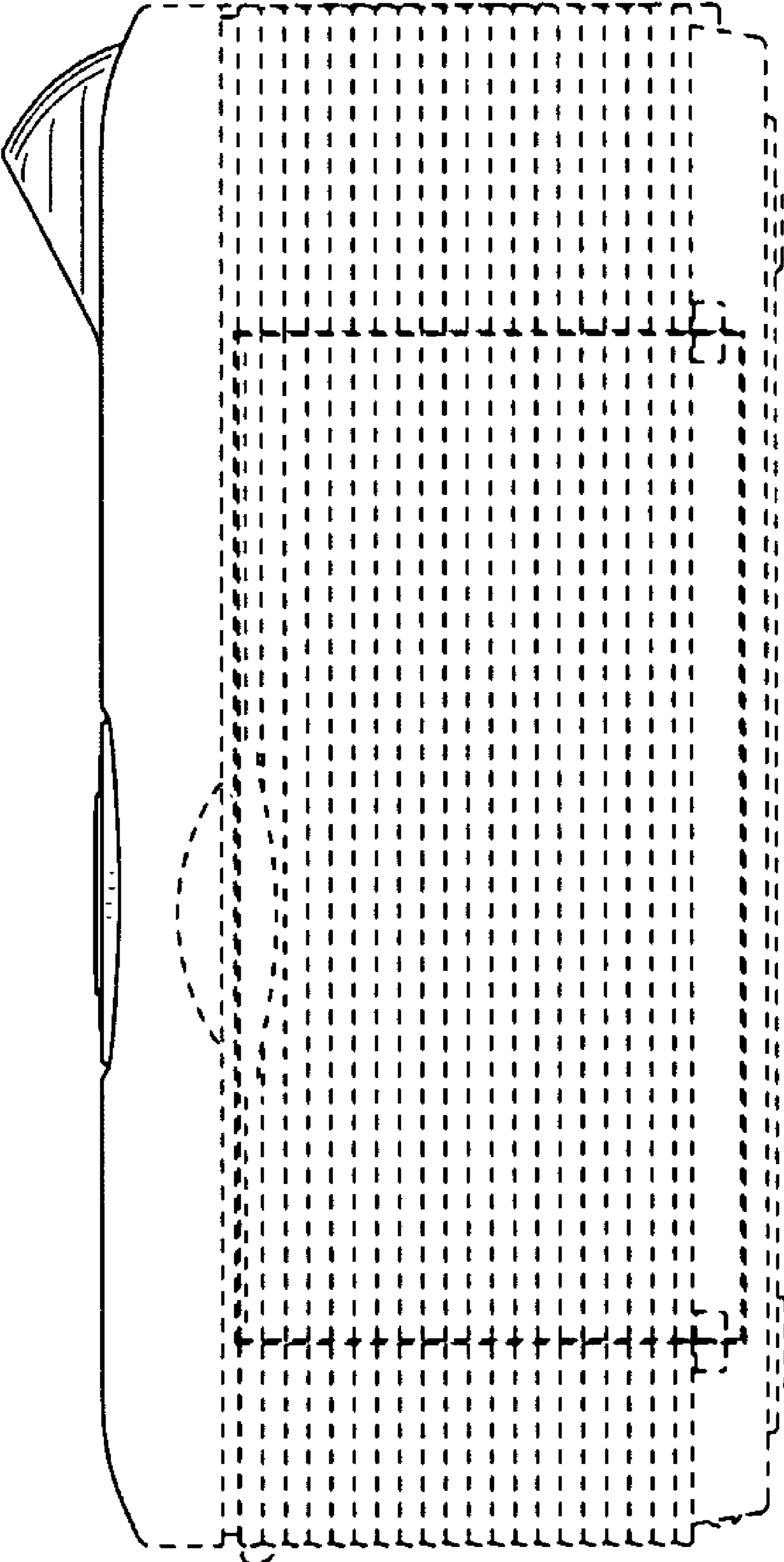


Fig.6

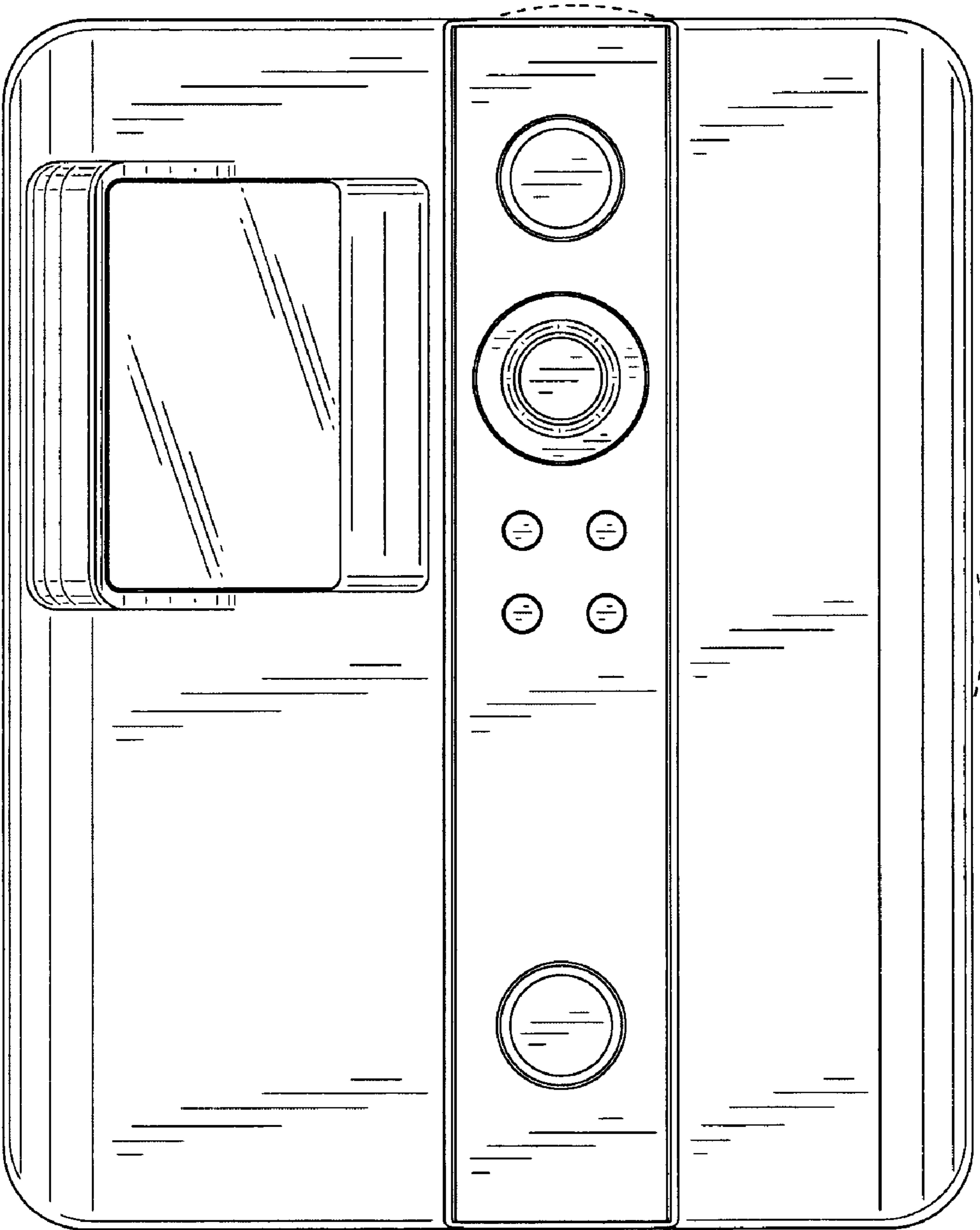


Fig.7

