



US00D585485S

(12) **United States Design Patent**
Tanaka

(10) **Patent No.:** **US D585,485 S**
(45) **Date of Patent:** **** Jan. 27, 2009**

(54) **TONER CARTRIDGE**
(75) Inventor: **Yoshiaki Tanaka**, Numazu (JP)
(73) Assignee: **Toshiba Tec Kabushiki Kaisha** (JP)
(**) Term: **14 Years**
(21) Appl. No.: **29/301,725**
(22) Filed: **Mar. 13, 2008**

JP 1333099 6/2008
JP 1333100 6/2008
JP 1333101 6/2008
JP 1333210 6/2008
JP 1333211 6/2008

* cited by examiner

Primary Examiner—Caron Veynar
Assistant Examiner—Garth Rademaker
(74) *Attorney, Agent, or Firm*—Harness, Dickey & Pierce, P.L.C.

(30) **Foreign Application Priority Data**
Sep. 14, 2007 (JP) 2007-025012

(57) **CLAIM**

The ornamental design for a toner cartridge, as shown and described.

(51) **LOC (9) Cl.** **16-43**
(52) **U.S. Cl.** **D18/43**
(58) **Field of Classification Search** D14/462,
D14/471, 474, 475; D18/12, 36, 40, 43,
D18/44, 56; 222/DIG. 1; 347/49, 197, 214,
347/222; 399/24-27, 107-112, 119, 121,
399/122, 222-224
See application file for complete search history.

DESCRIPTION

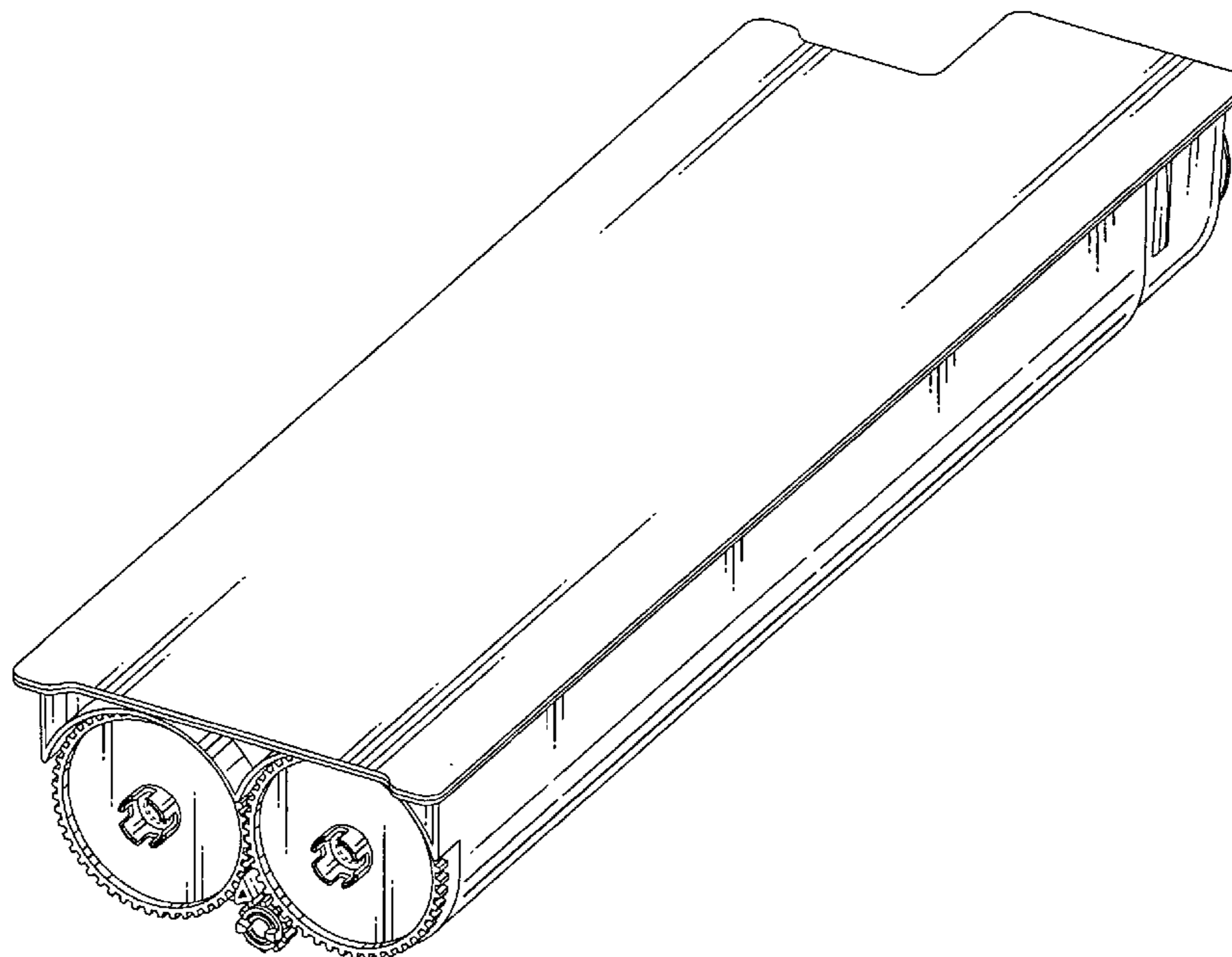
FIG. 1 is a front, top and left side perspective view of a toner cartridge, showing my new design;
FIG. 2 is a rear, top and right side perspective view thereof;
FIG. 3 is a rear, top and left side perspective view thereof;
FIG. 4 is a rear, bottom and right side perspective view thereof;
FIG. 5 is a front view thereof;
FIG. 6 is a rear view thereof;
FIG. 7 is a top view thereof;
FIG. 8 is a bottom view thereof;
FIG. 9 is an enlarged left side view thereof; and,
FIG. 10 is an enlarged right side view thereof.
The broken lines depict environmental subject matter only and form no part of the claimed design.

(56) **References Cited**
U.S. PATENT DOCUMENTS
D471,582 S * 3/2003 Mori D18/40
D502,730 S * 3/2005 Miyagawa D18/40
D559,894 S * 1/2008 Sato D18/43
D559,895 S * 1/2008 Sato D18/43
D559,896 S * 1/2008 Sato D18/43
D565,646 S * 4/2008 Yamamoto et al. D18/43
D574,038 S * 7/2008 Sakabe D18/43

FOREIGN PATENT DOCUMENTS

JP 1333098 6/2008

1 Claim, 8 Drawing Sheets



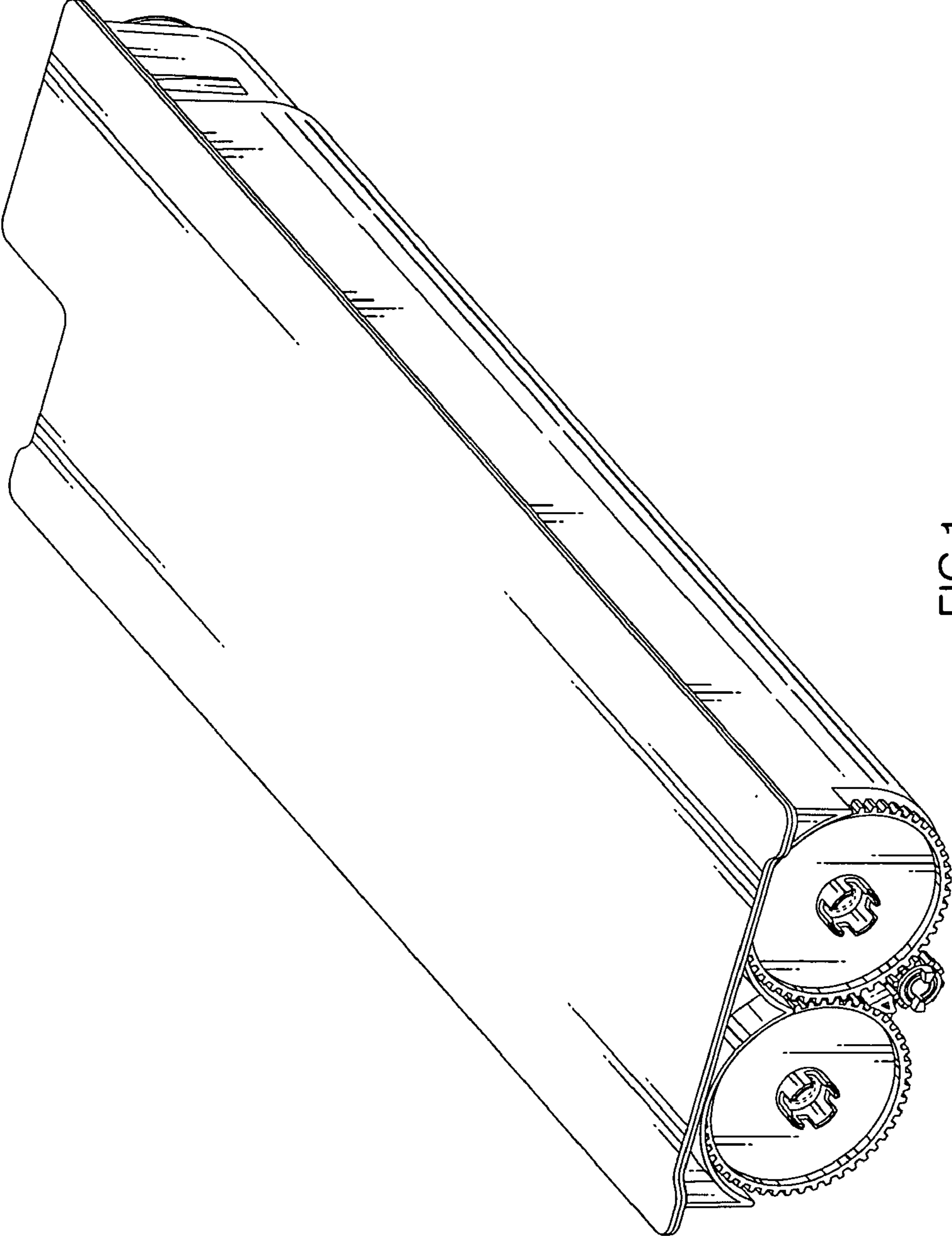


FIG.1

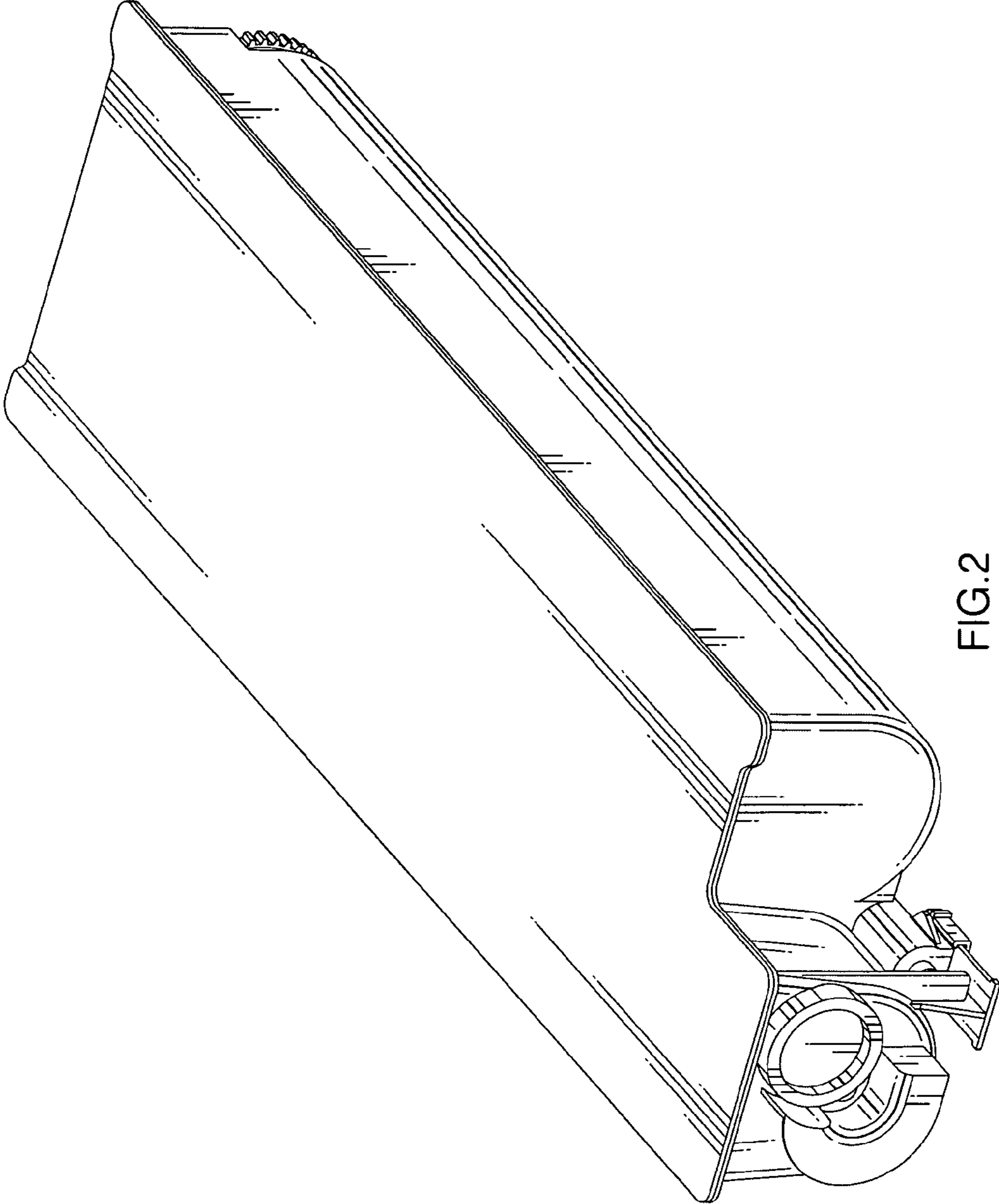


FIG.2

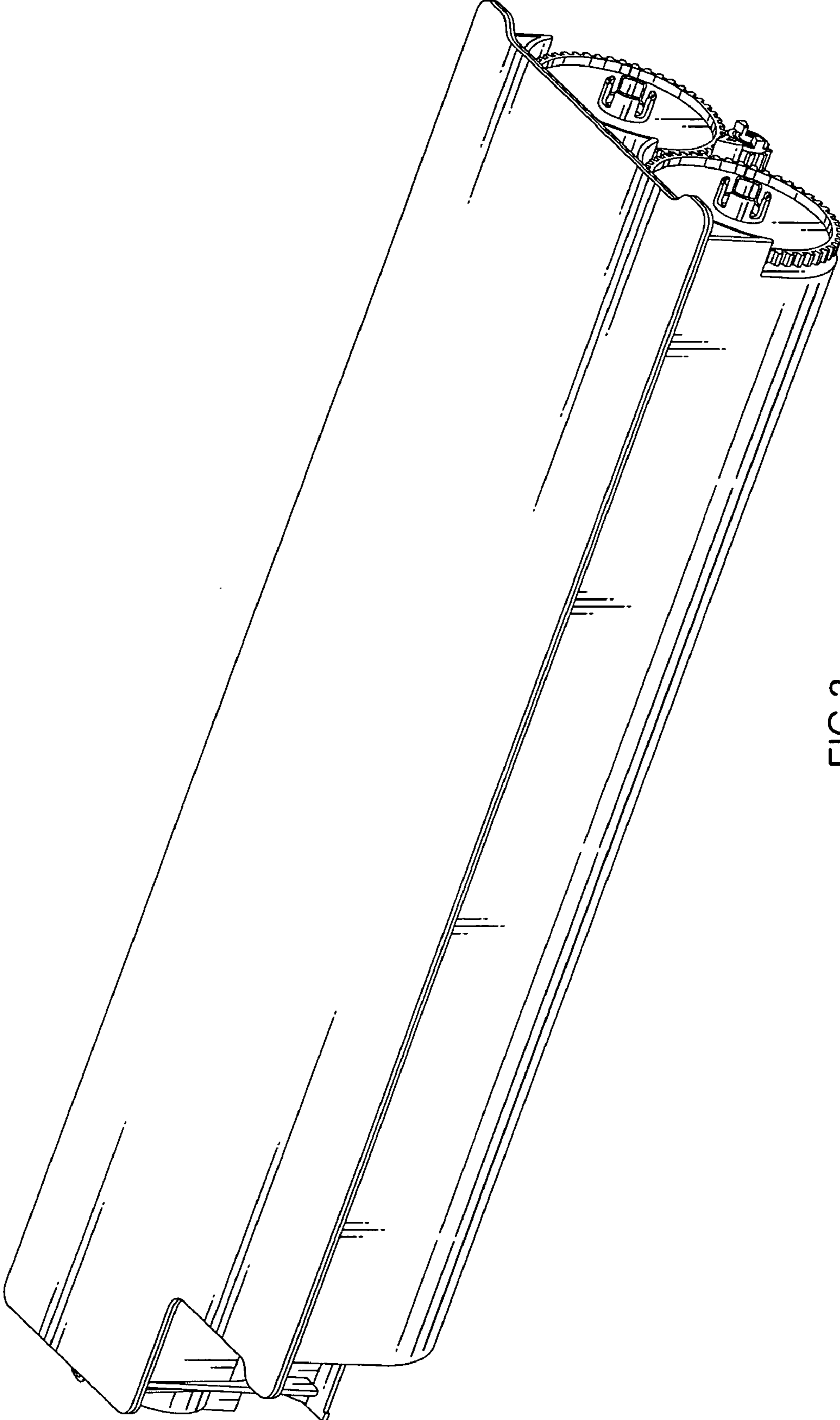


FIG.3

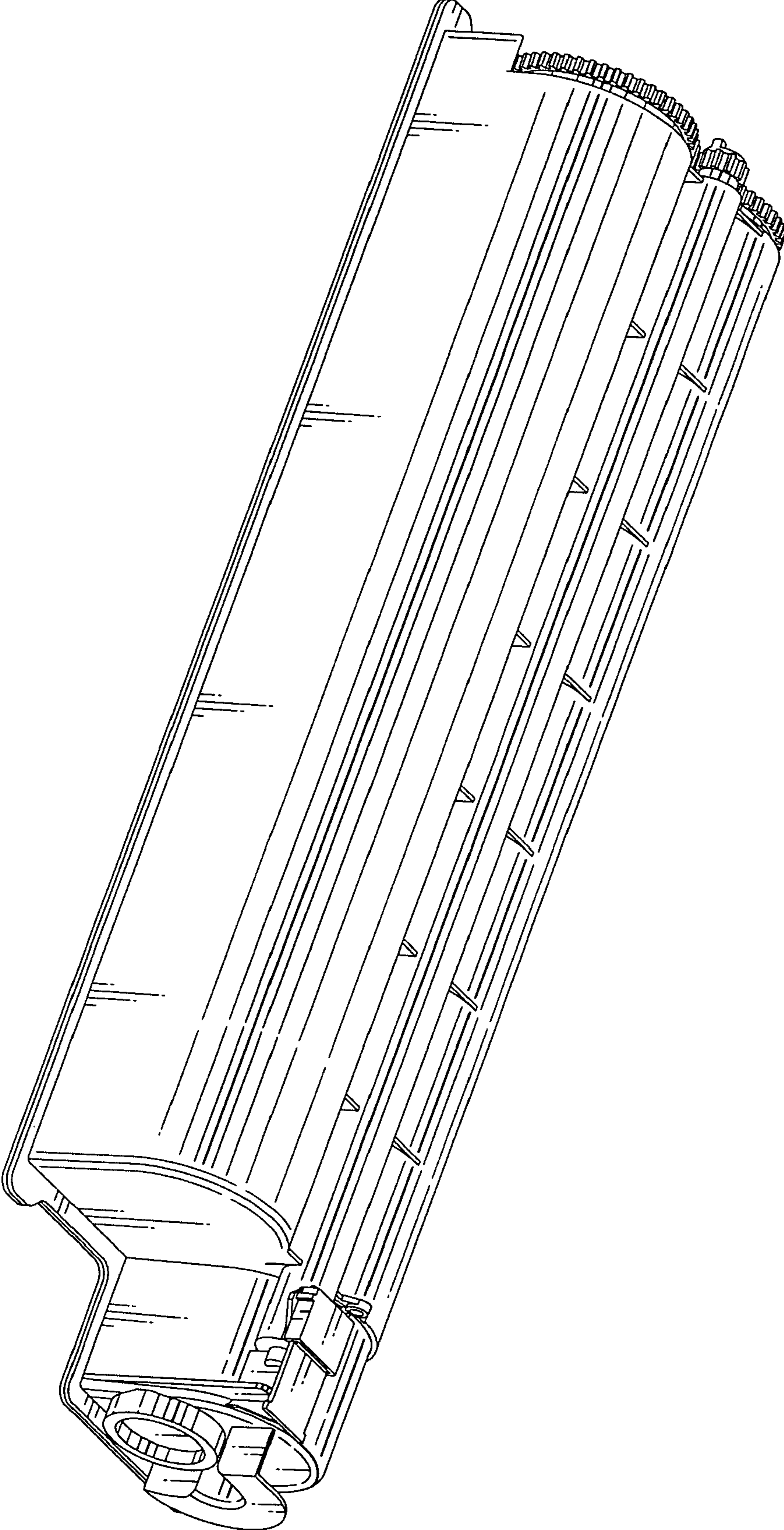


FIG.4

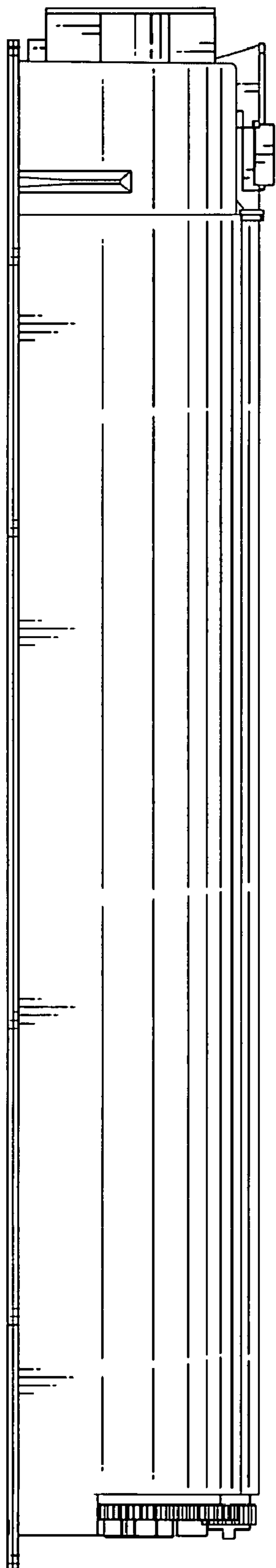


FIG. 5

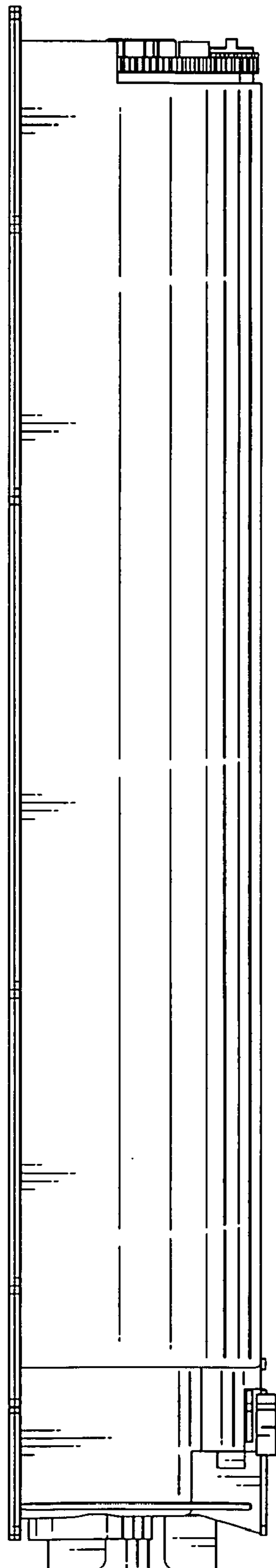


FIG. 6

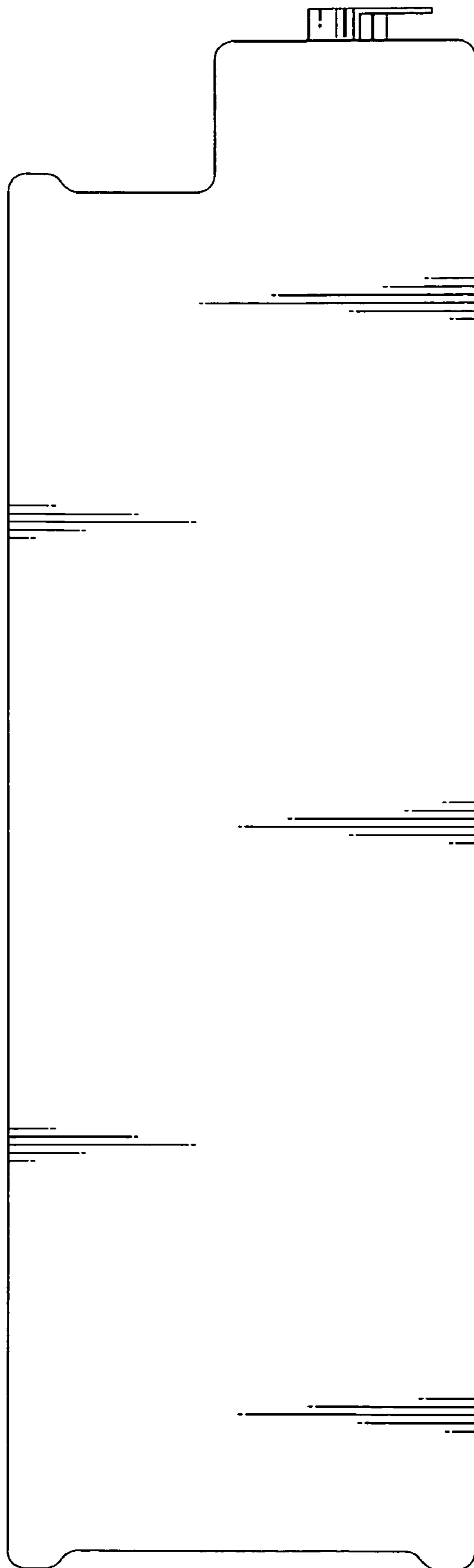


FIG. 7

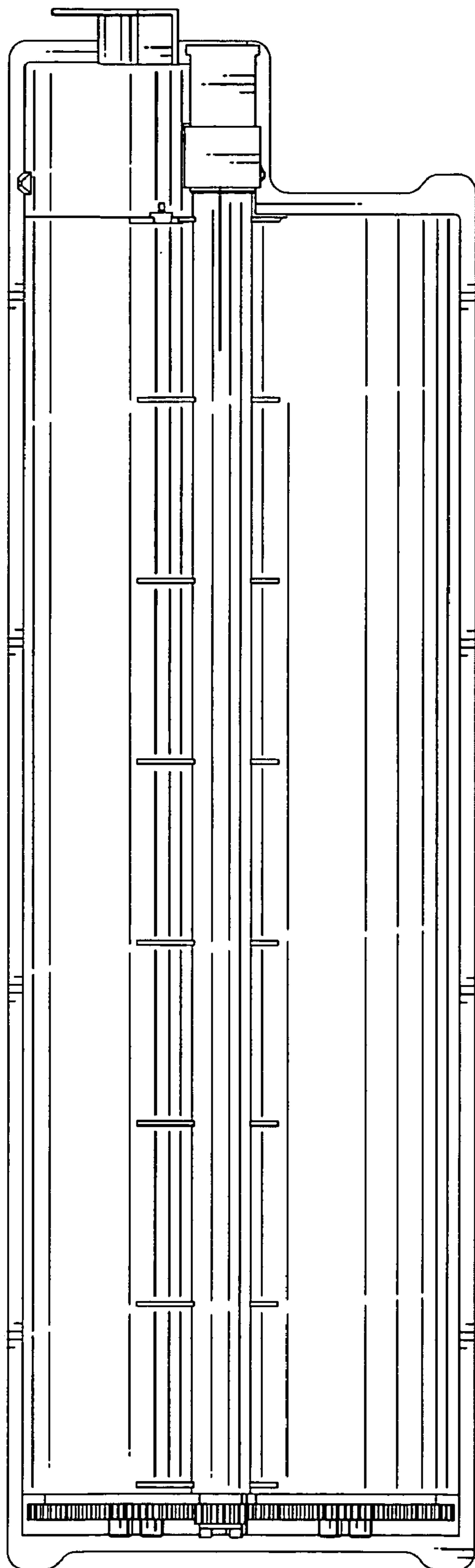


FIG.8

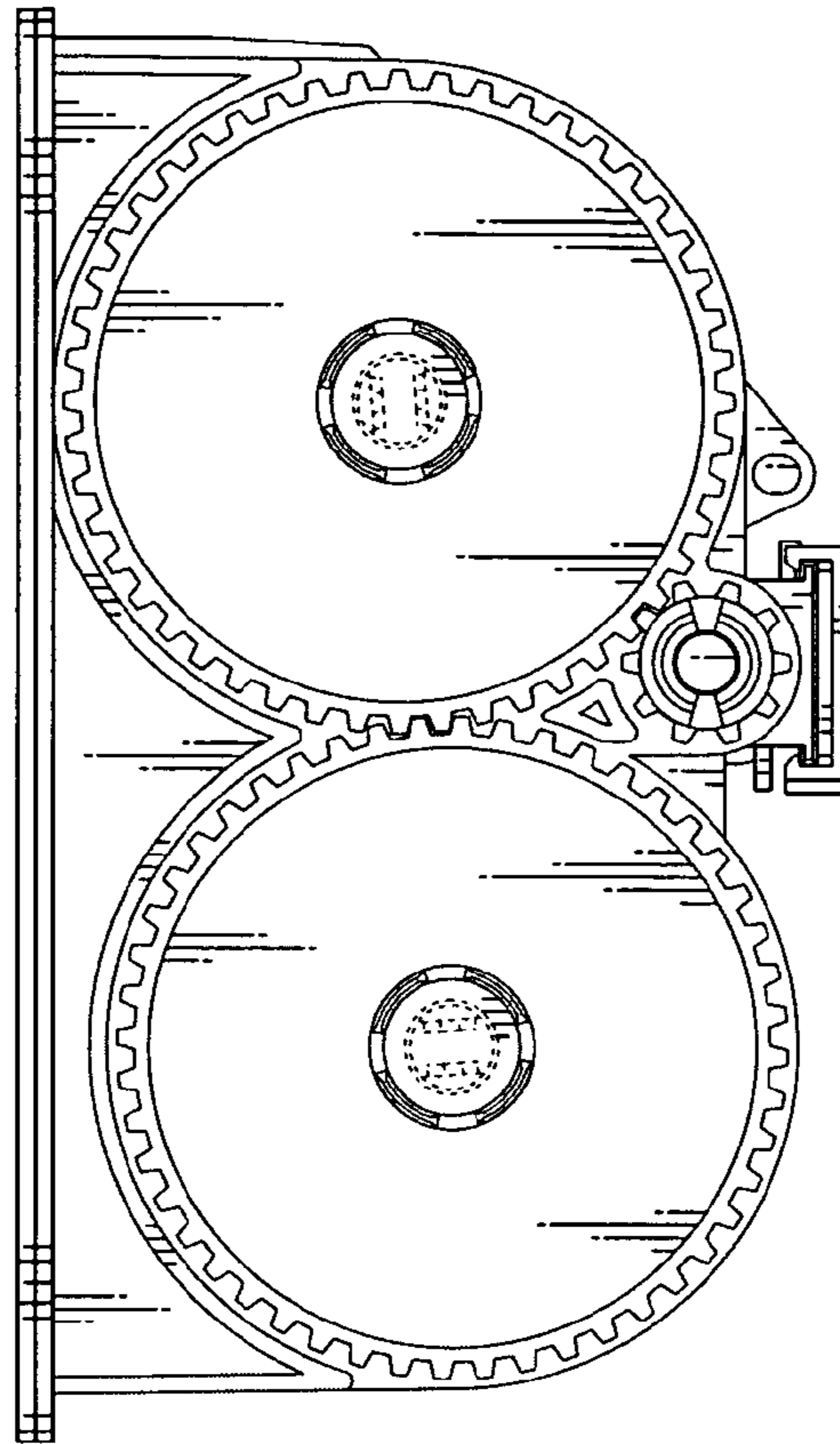


FIG.9

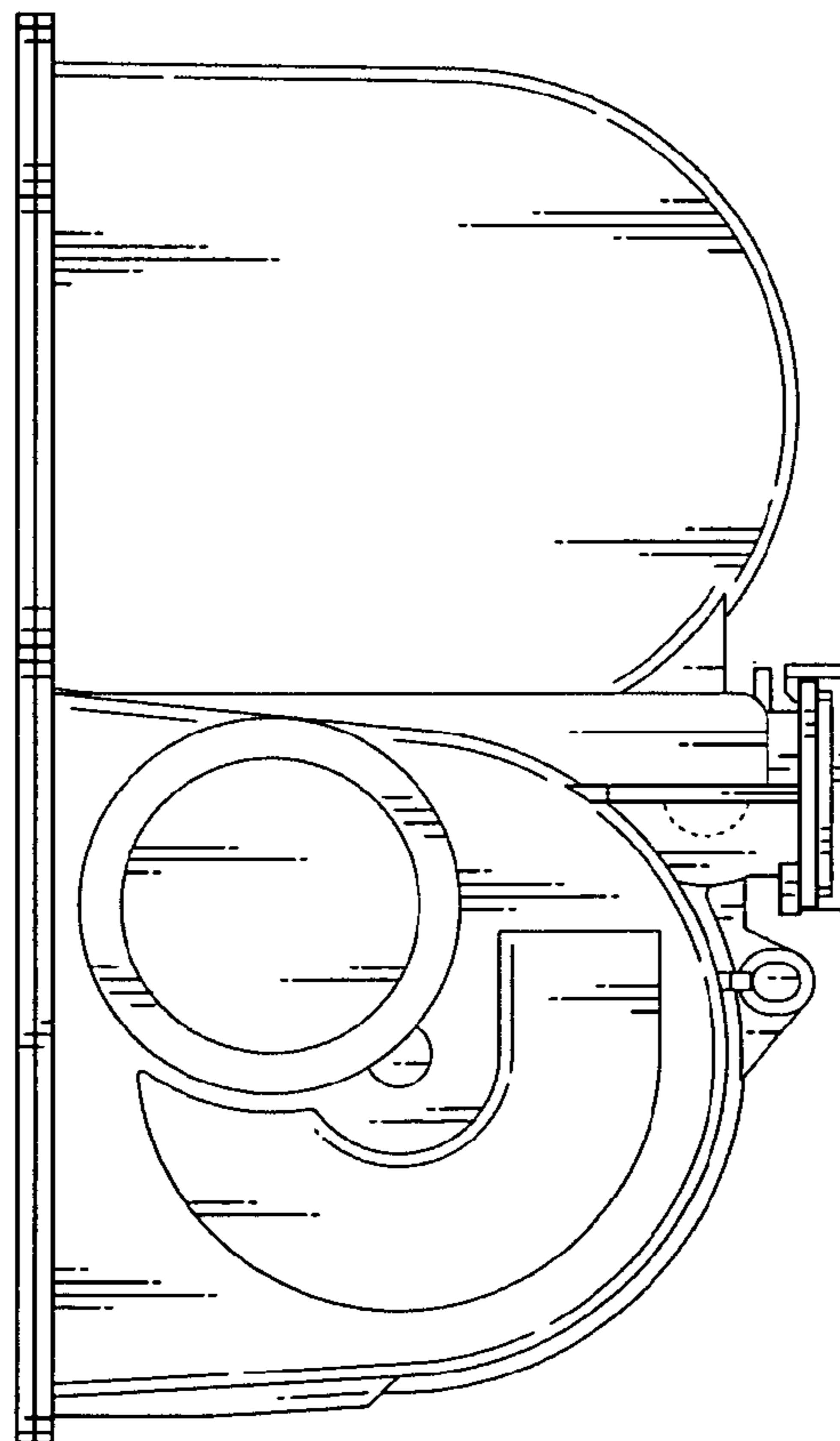


FIG.10