



US00D585483S

(12) **United States Design Patent**
Sakabe

(10) **Patent No.:** **US D585,483 S**
(45) **Date of Patent:** **** Jan. 27, 2009**

(54) **TONER CARTRIDGE**

D565,646 S * 4/2008 Yamamoto et al. D18/43
D567,282 S * 4/2008 Yamamoto et al. D18/43

(75) Inventor: **Takeshi Sakabe**, Tokyo (JP)

(73) Assignee: **Konica Minolta Business Technologies, Inc.**, Chiyoda-Ku, Tokyo (JP)

(**) Term: **14 Years**

(21) Appl. No.: **29/301,538**

(22) Filed: **Mar. 6, 2008**

Related U.S. Application Data

(62) Division of application No. 29/274,818, filed on May 30, 2007, now Pat. No. Des. 574,038.

(30) **Foreign Application Priority Data**

Nov. 30, 2006 (JP) 2006-033087
Nov. 30, 2006 (JP) 2006-033088

(51) **LOC (9) Cl.** **16-03**

(52) **U.S. Cl.** **D18/43**

(58) **Field of Classification Search** D14/471;
D18/12, 36-40, 43, 44, 46-49, 56; 222/DIG. 1;
347/197, 222; 399/24-28, 107-112, 119,
399/121, 122, 222-224

See application file for complete search history.

(56) **References Cited**

U.S. PATENT DOCUMENTS

D375,519 S * 11/1996 Tsumuki D18/43
D438,891 S * 3/2001 Hoshino et al. D18/40
D443,295 S * 6/2001 Kusanagi et al. D18/40
D451,127 S * 11/2001 Katou et al. D18/43
D463,817 S * 10/2002 Kunihiro et al. D18/40
D478,614 S * 8/2003 Numagami et al. D18/40
D522,565 S * 6/2006 Sanada et al. D18/43
D524,848 S * 7/2006 Murata D18/43
D524,850 S * 7/2006 Hashimoto et al. D18/43
D559,894 S * 1/2008 Sato D18/43
D559,895 S * 1/2008 Sato D18/43

OTHER PUBLICATIONS

Fuji Xerox Co., Ltd., "DocuCentre C7550 I / C6550 I / C5540 I", 4 colored pages.
Fuji Xerox Co., Ltd., "ApeosPort 750 I / 650 I / 550 I", 4 colored pages.
Fuji Xerox Co., Ltd., Toner Cartridge B, "▶ EpeosPort 550 / 650 / 750 C5540 / C6550 series", "▶ DocuCentre 550 / 650 / 750 / C5540 / C6550 series", 5 colored pages.

* cited by examiner

Primary Examiner—Caron Veynar

Assistant Examiner—Garth Rademaker

(74) *Attorney, Agent, or Firm*—Buchanan Ingersoll & Rooney PC

(57) **CLAIM**

The ornamental design for a toner cartridge, as shown and described.

DESCRIPTION

FIG. 1 is a top, front and right side perspective view of a toner cartridge showing my new design;

FIG. 2 is a top, rear and left side perspective view thereof;

FIG. 3 is a bottom, rear and left side perspective view thereof;

FIG. 4 is a bottom, front and right side perspective view thereof;

FIG. 5 is a front elevational view thereof;

FIG. 6 is a rear elevational view thereof;

FIG. 7 is a left side view thereof;

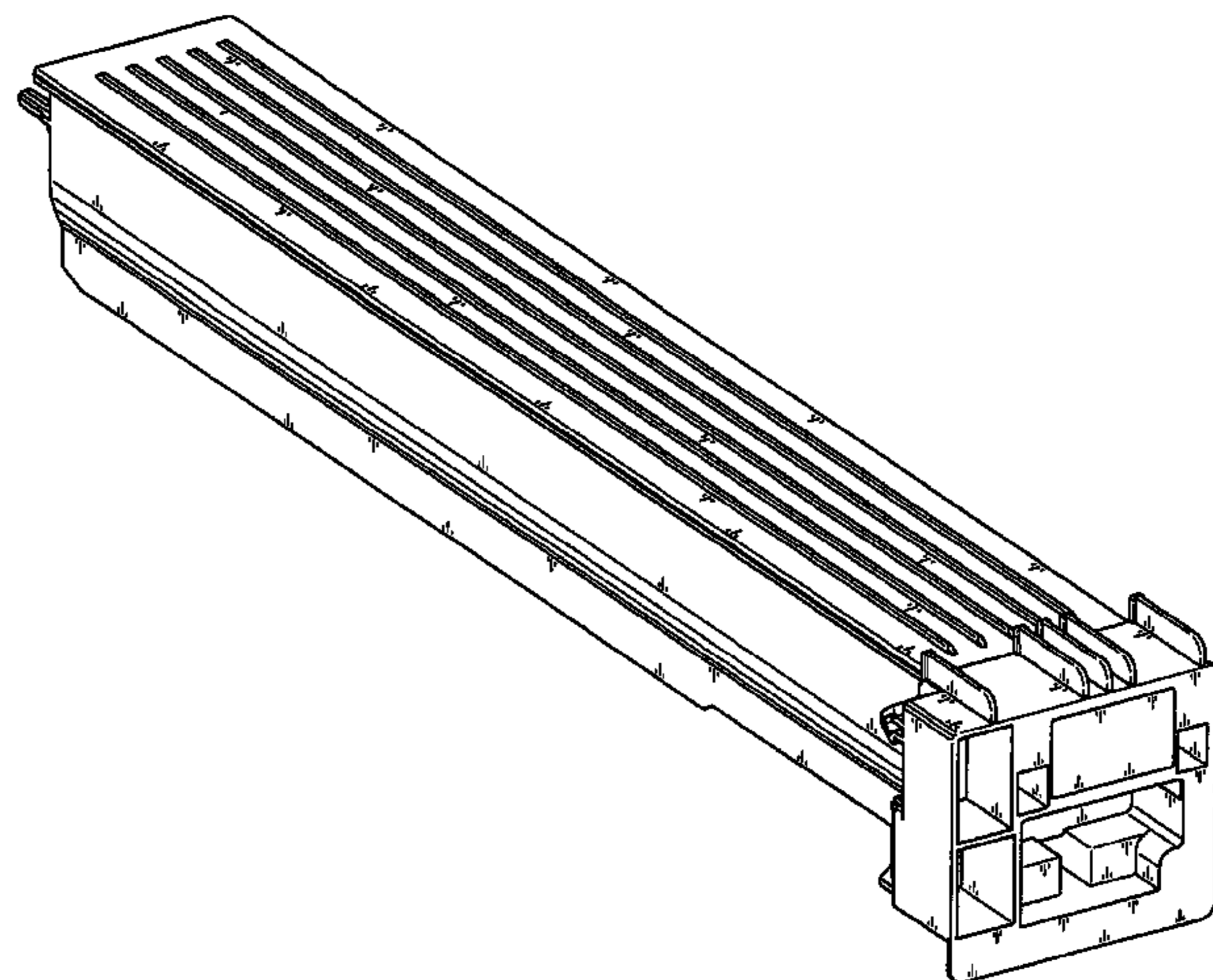
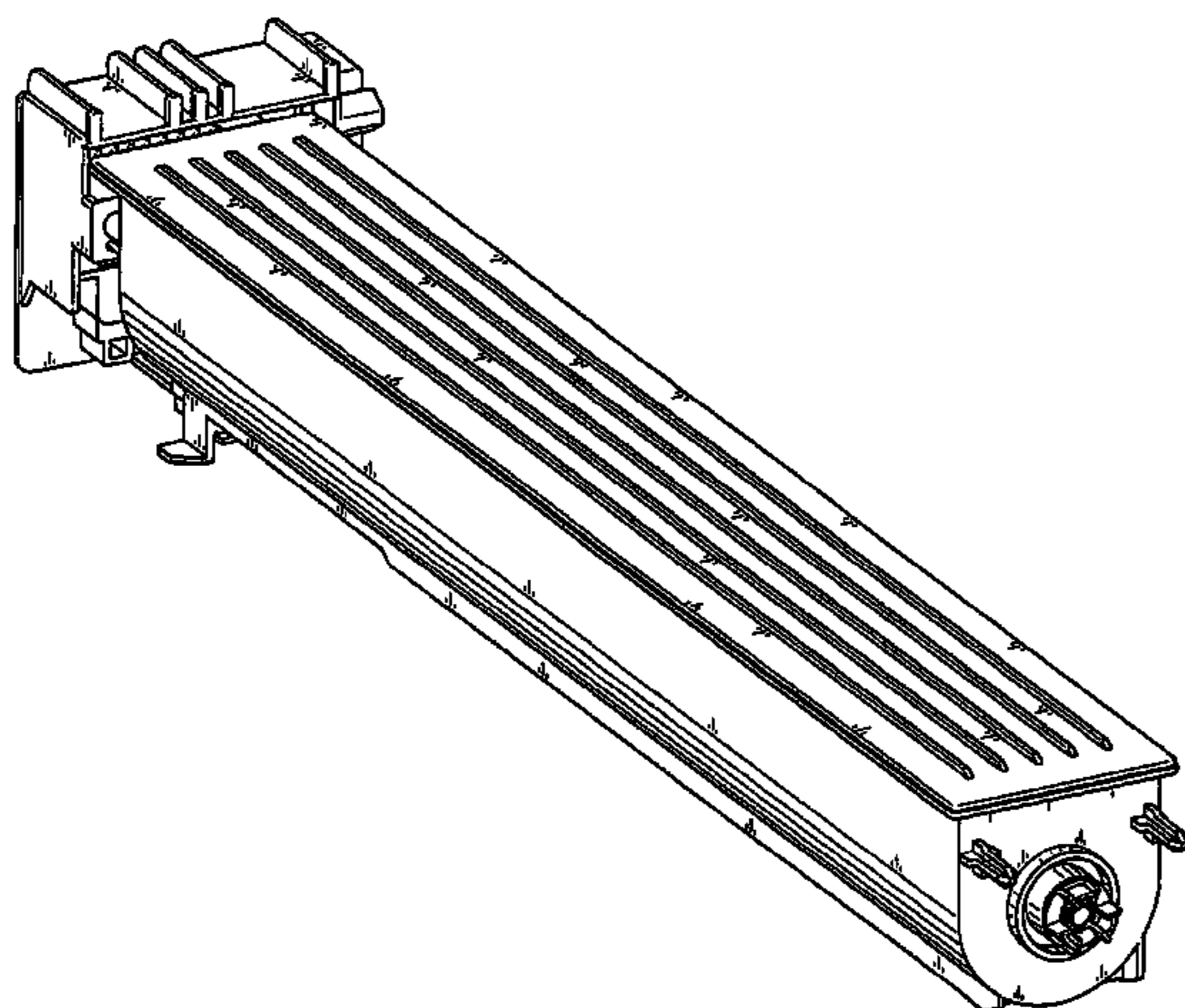
FIG. 8 is a right side view thereof;

FIG. 9 is a top plan view thereof; and,

FIG. 10 is a bottom plan view thereof.

The broken lines depict environmental subject matter only and form no part of the claimed design.

1 Claim, 7 Drawing Sheets



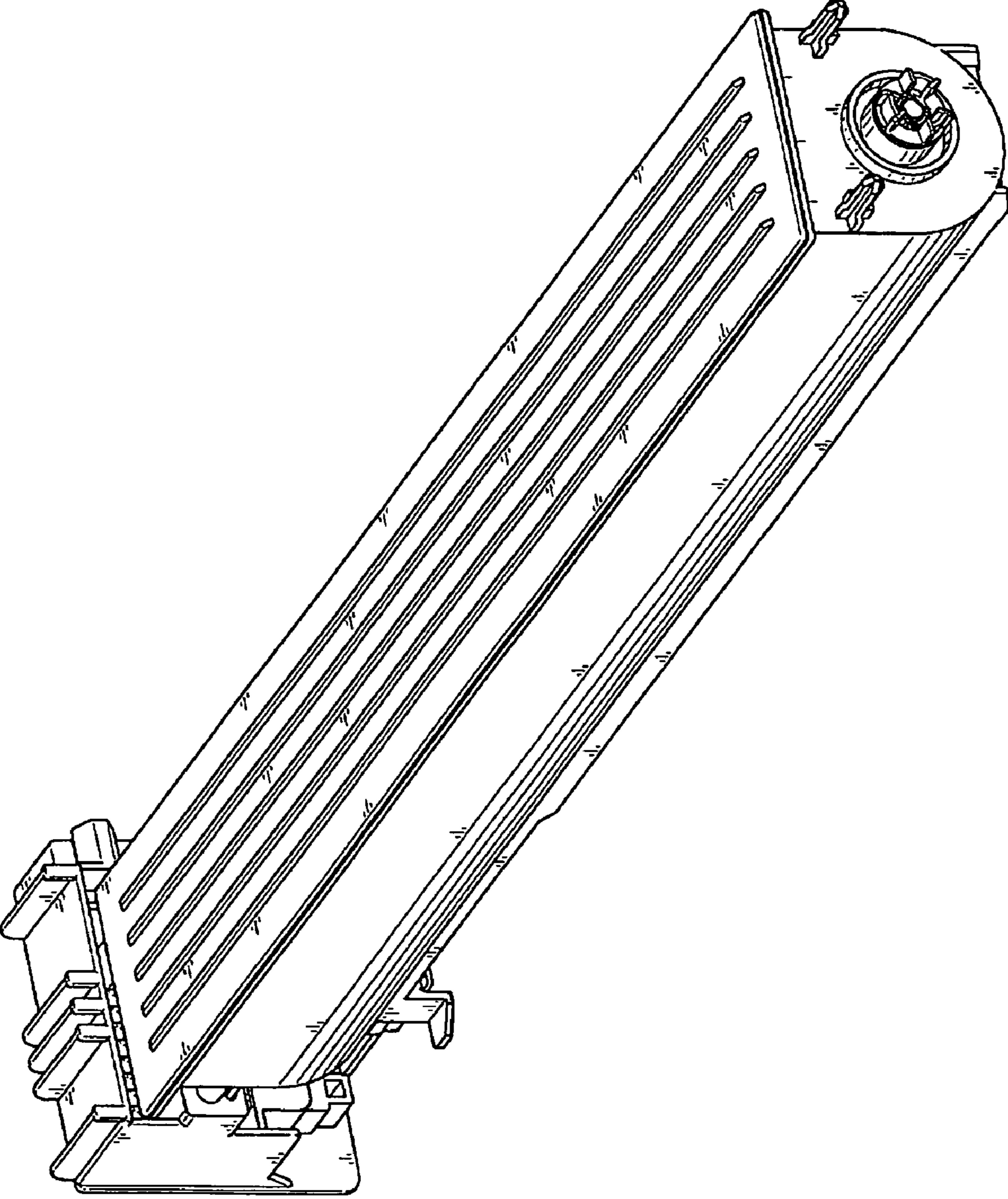


FIG. 1

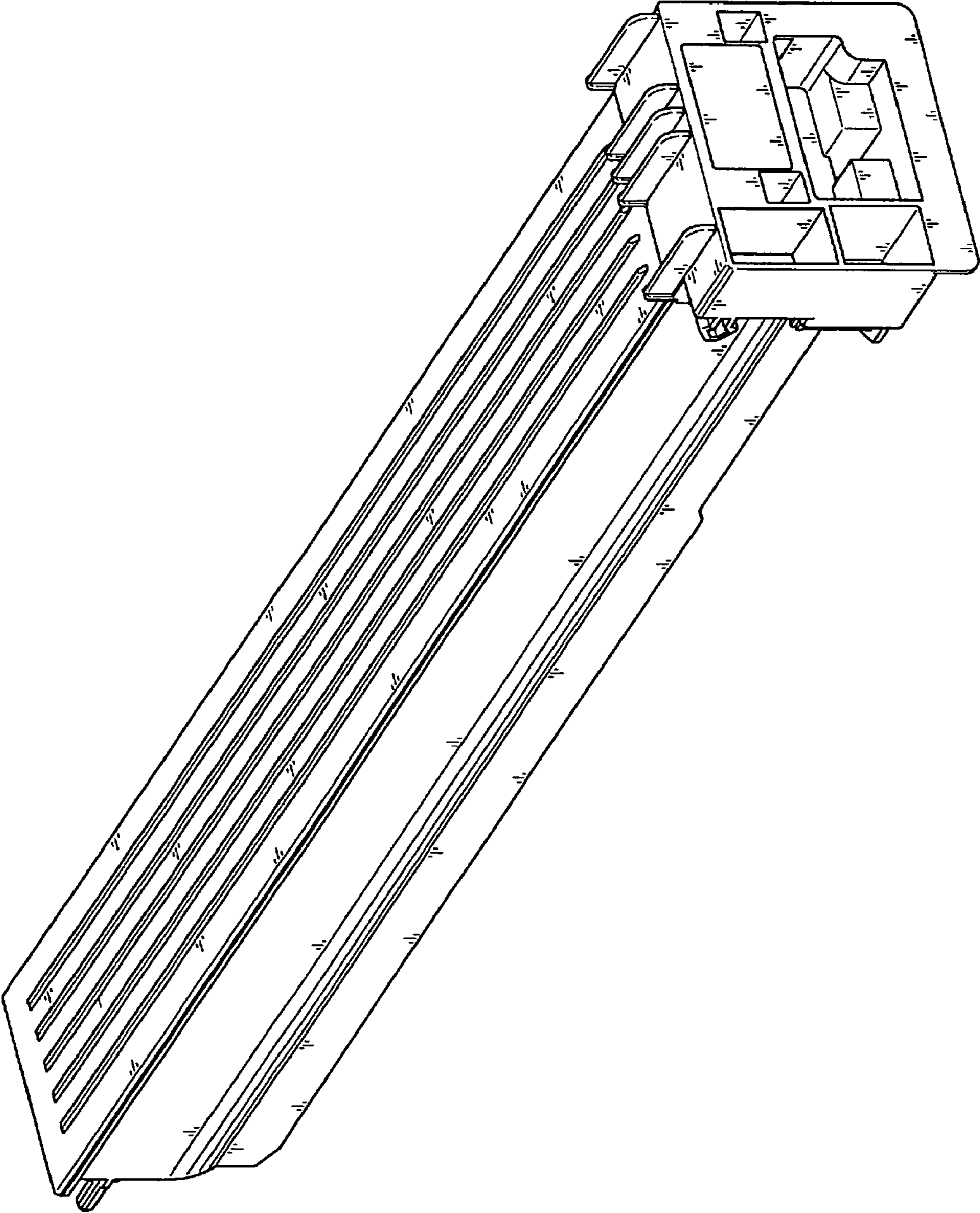


FIG. 2

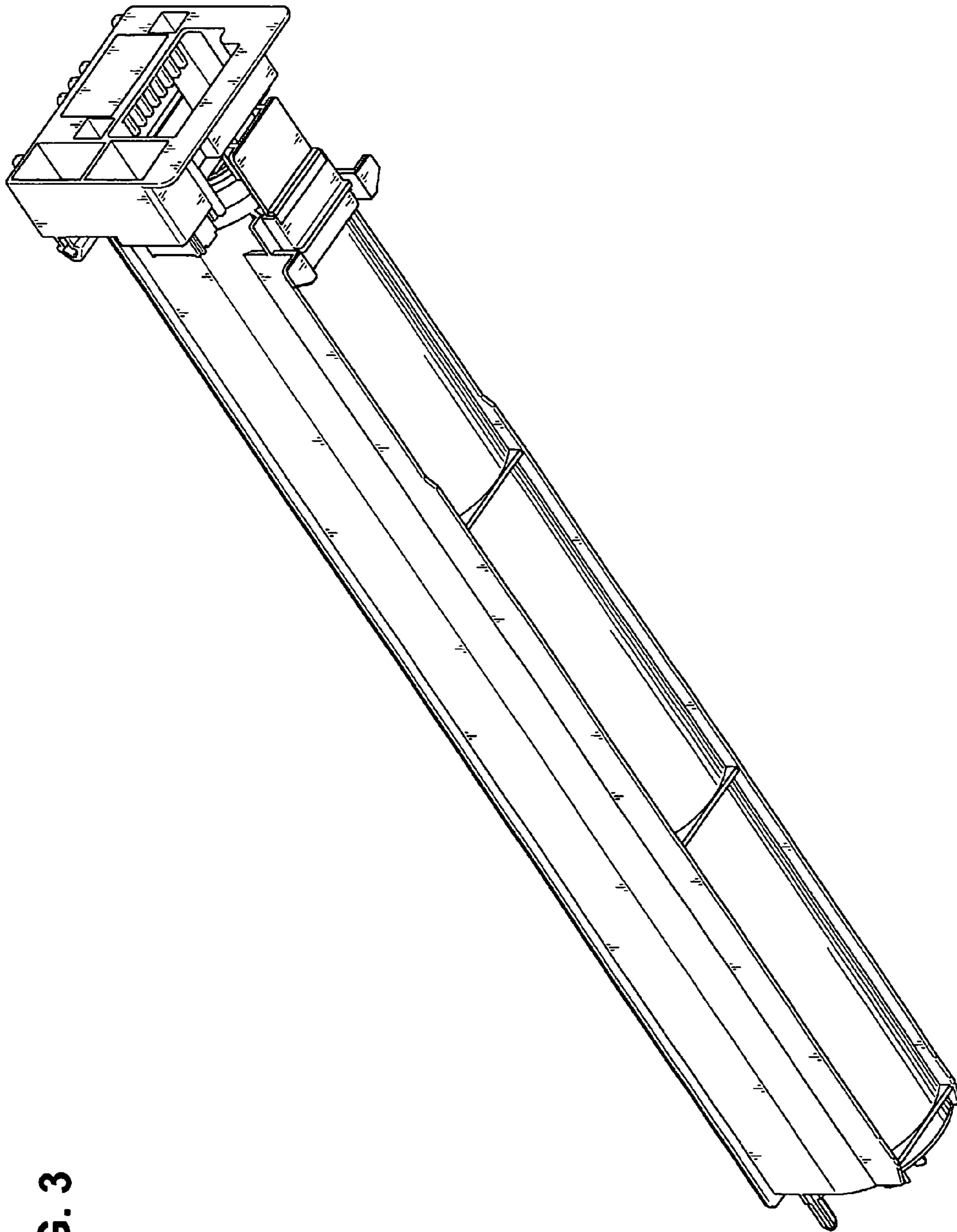


FIG. 3

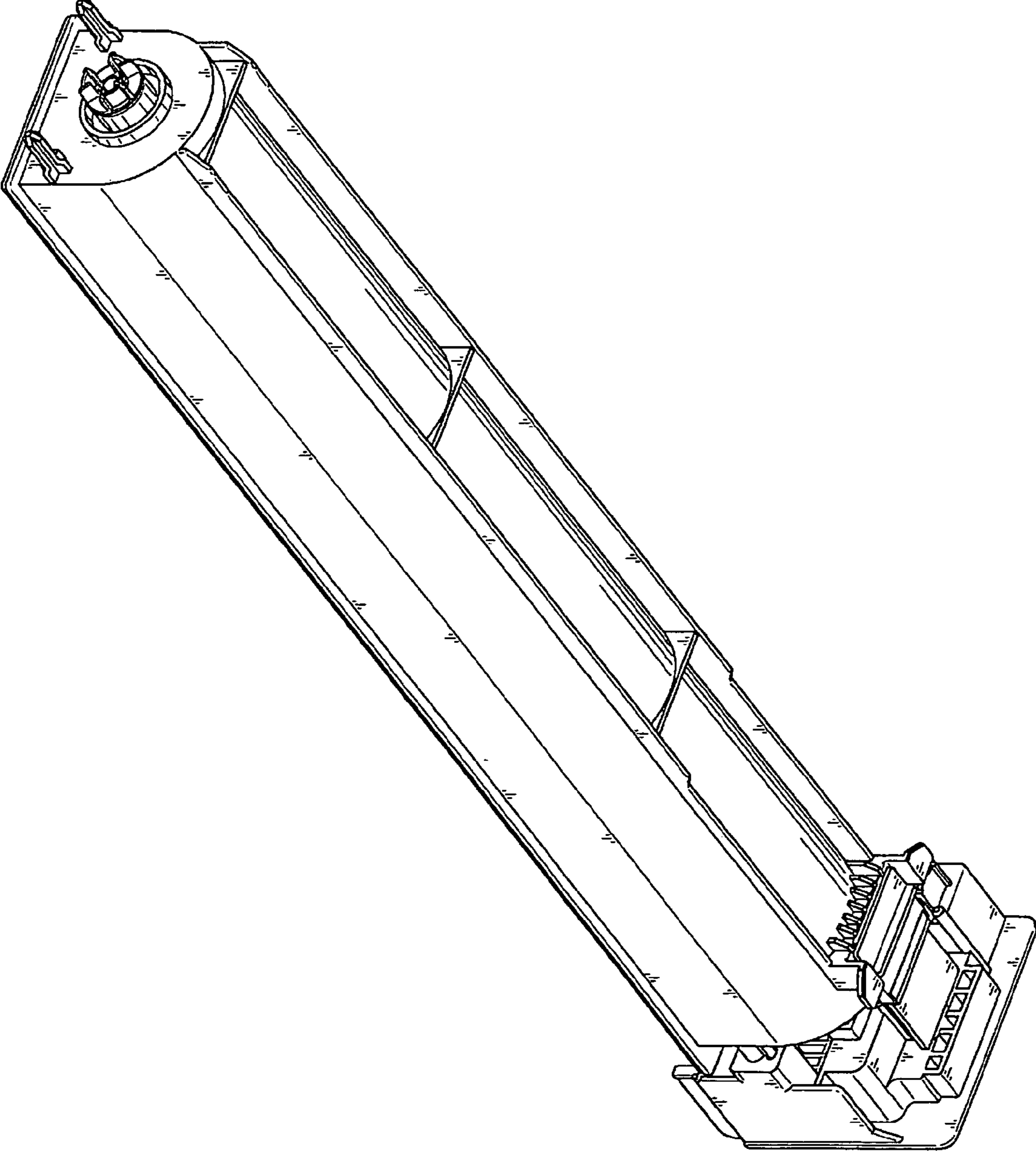


FIG. 4

FIG. 5

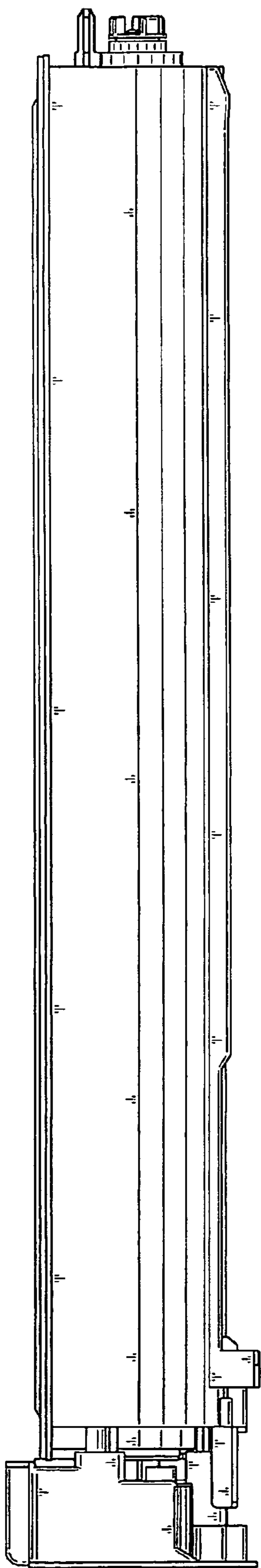


FIG. 6

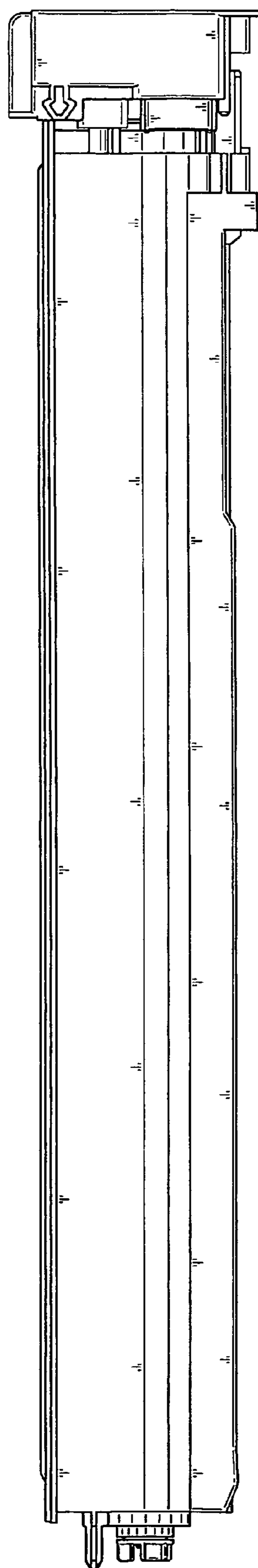


Fig. 8

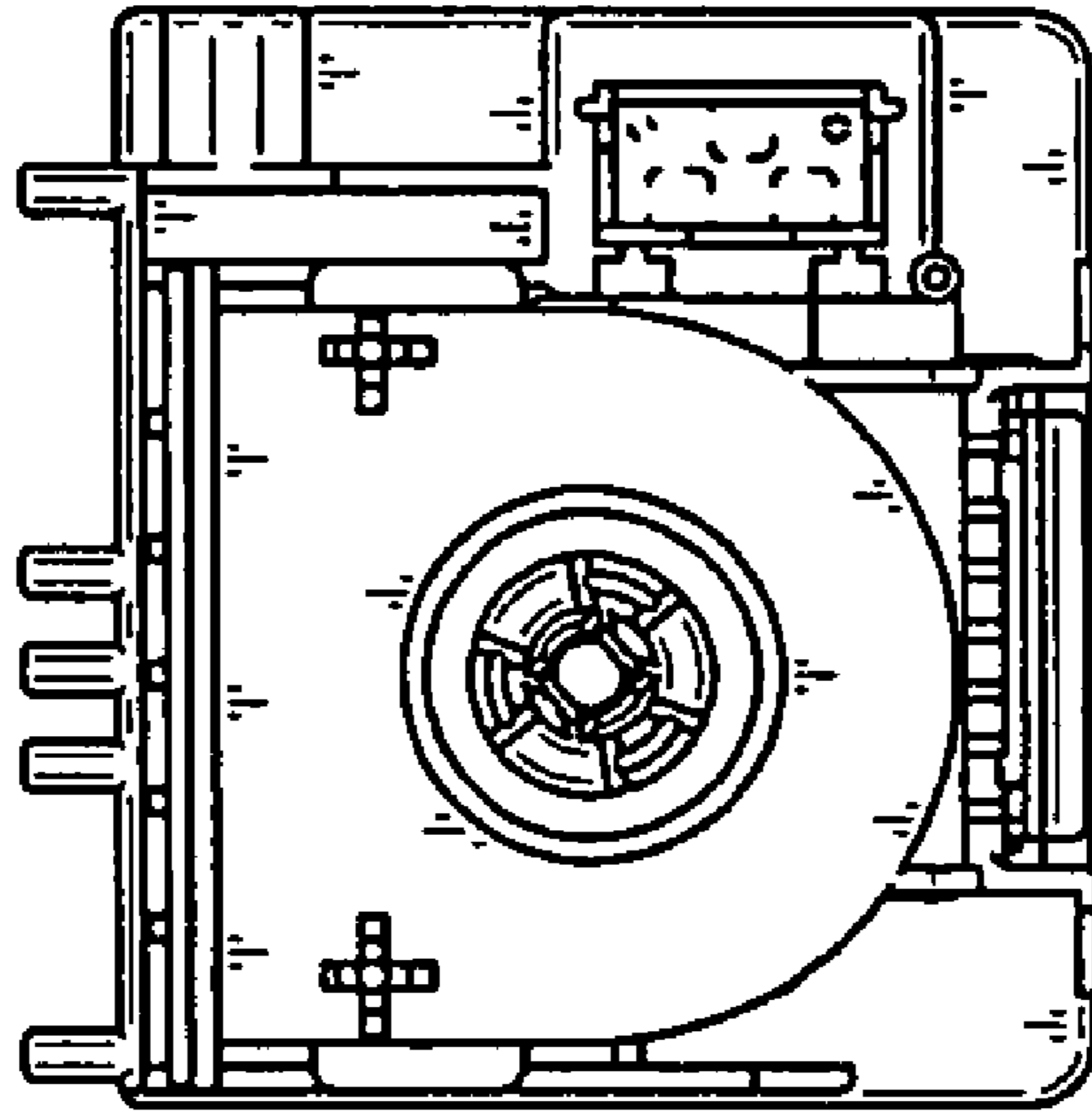


Fig. 7

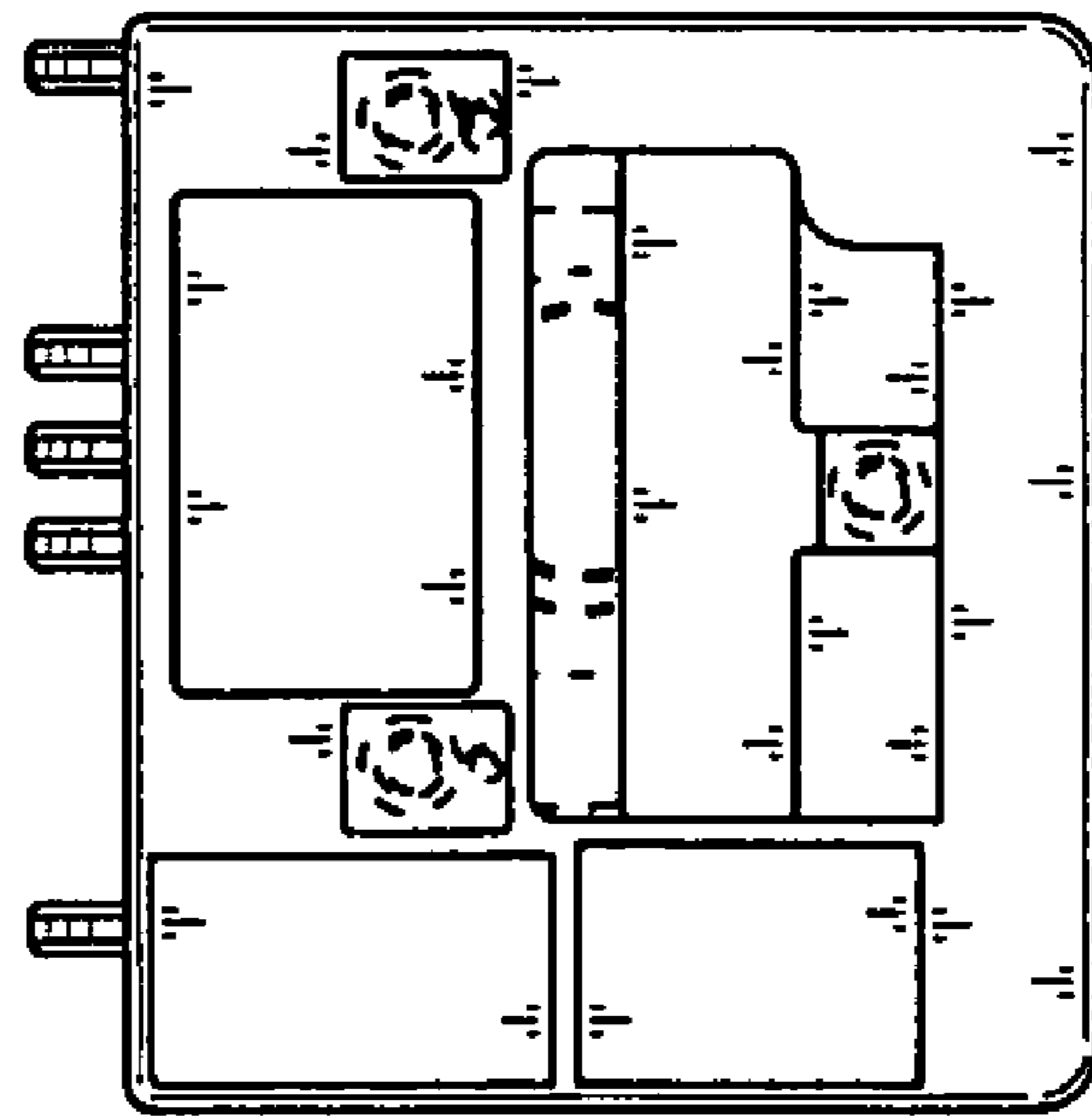


FIG. 9

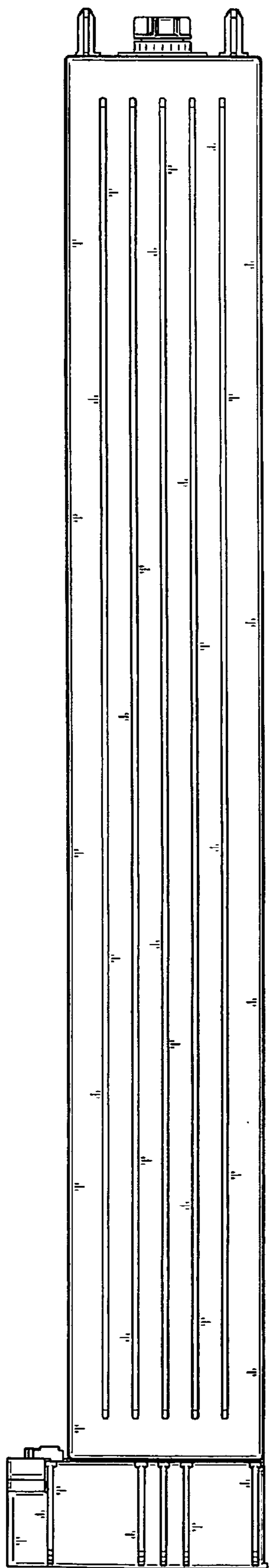


FIG. 10

