



US00D585482S

(12) **United States Design Patent**
Kubota et al.

(10) **Patent No.:** **US D585,482 S**
(45) **Date of Patent:** **** Jan. 27, 2009**

(54) **TONER CARTRIDGE**

(75) Inventors: **Takeshi Kubota**, Mishima (JP); **Toru Oguma**, Mishima (JP); **Fumito Nonaka**, Mishima (JP); **Ryuta Murakami**, Shizuoka-ken (JP); **Shunsuke Uratani**, Mishima (JP); **Takuya Kawakami**, Numazu (JP); **Shinichi Nishida**, Mishima (JP)

(73) Assignee: **Canon Kabushiki Kaisha**, Tokyo (JP)

(**) Term: **14 Years**

(21) Appl. No.: **29/298,691**

(22) Filed: **Dec. 11, 2007**

(30) **Foreign Application Priority Data**

Sep. 10, 2007 (JP) 2007-024556

(51) **LOC (9) Cl.** **16-03**

(52) **U.S. Cl.** **D18/43**

(58) **Field of Classification Search** D14/471;
D18/12, 36-40, 43, 44, 46-49, 56; 222/DIG. 1;
347/197, 222; 399/24-28, 107-112, 119,
399/121, 122, 222-224

See application file for complete search history.

(56) **References Cited**

U.S. PATENT DOCUMENTS

5,966,568 A * 10/1999 Numagami et al. 399/111
D433,441 S * 11/2000 Yonekawa et al. D18/43
D478,615 S * 8/2003 Karakama et al. D18/40
D492,958 S * 7/2004 Karakama et al. D18/40
D500,515 S * 1/2005 Karakama et al. D18/40

D509,533 S * 9/2005 Karakama et al. D18/40
2003/0161644 A1 * 8/2003 Yokoi et al. 399/27
2003/0161657 A1 * 8/2003 Yokoi et al. 399/119
2004/0234293 A1 * 11/2004 Karakama et al. 399/111
2005/0019061 A1 * 1/2005 Karakama et al. 399/111
2006/0262148 A1 * 11/2006 Kweon 347/1
2007/0140732 A1 * 6/2007 Jones et al. 399/109

* cited by examiner

Primary Examiner—Caron Veynar

Assistant Examiner—Garth Rademaker

(74) *Attorney, Agent, or Firm*—Fitzpatrick, Cella, Harper & Scinto

(57) **CLAIM**

The ornamental design for a toner cartridge, as shown and described.

DESCRIPTION

FIG. 1 is a front view of a toner cartridge showing our new design;

FIG. 2 is a rear view thereof;

FIG. 3 is a top plan view thereof;

FIG. 4 is a bottom plan view thereof;

FIG. 5 is a left side view thereof;

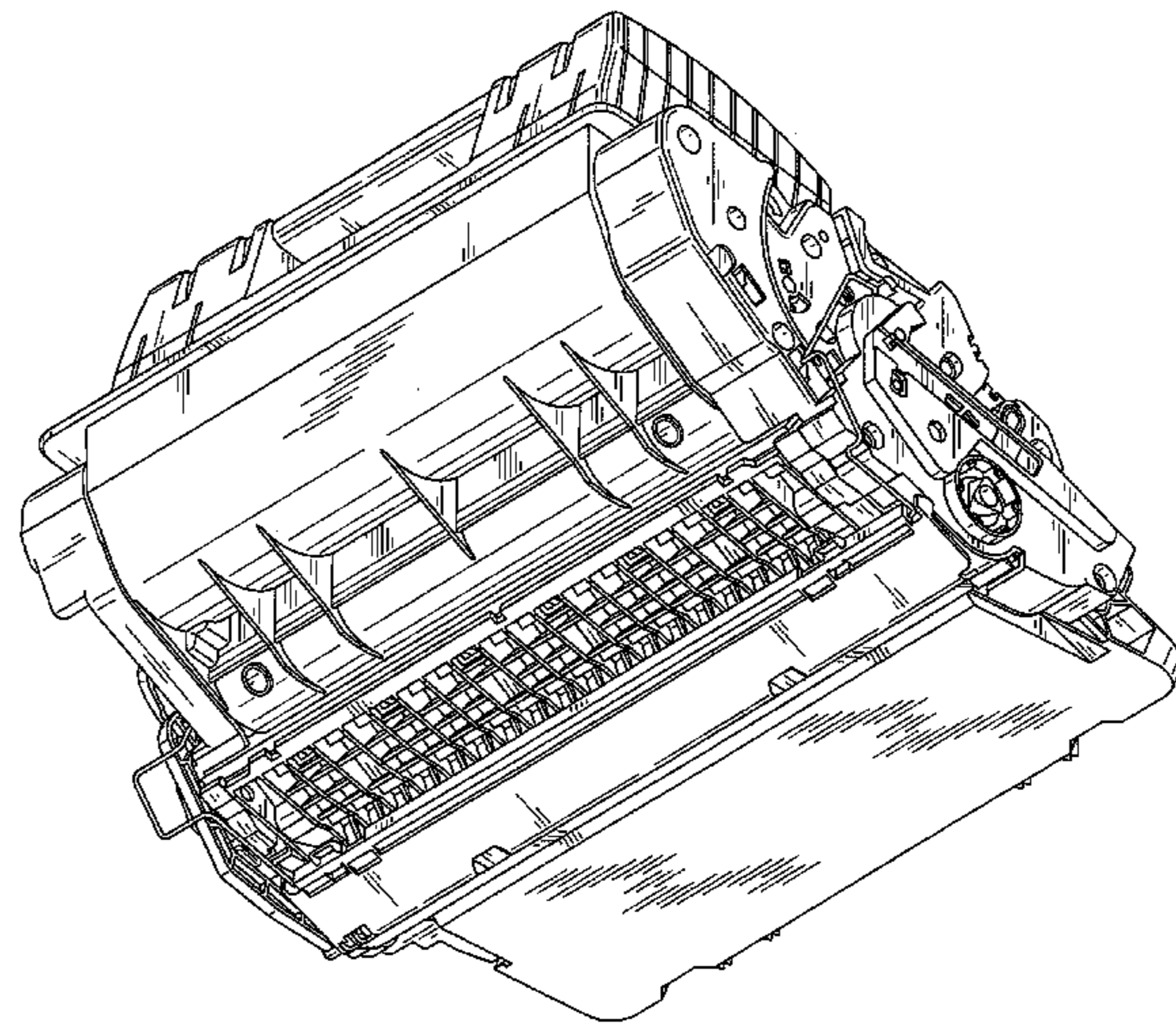
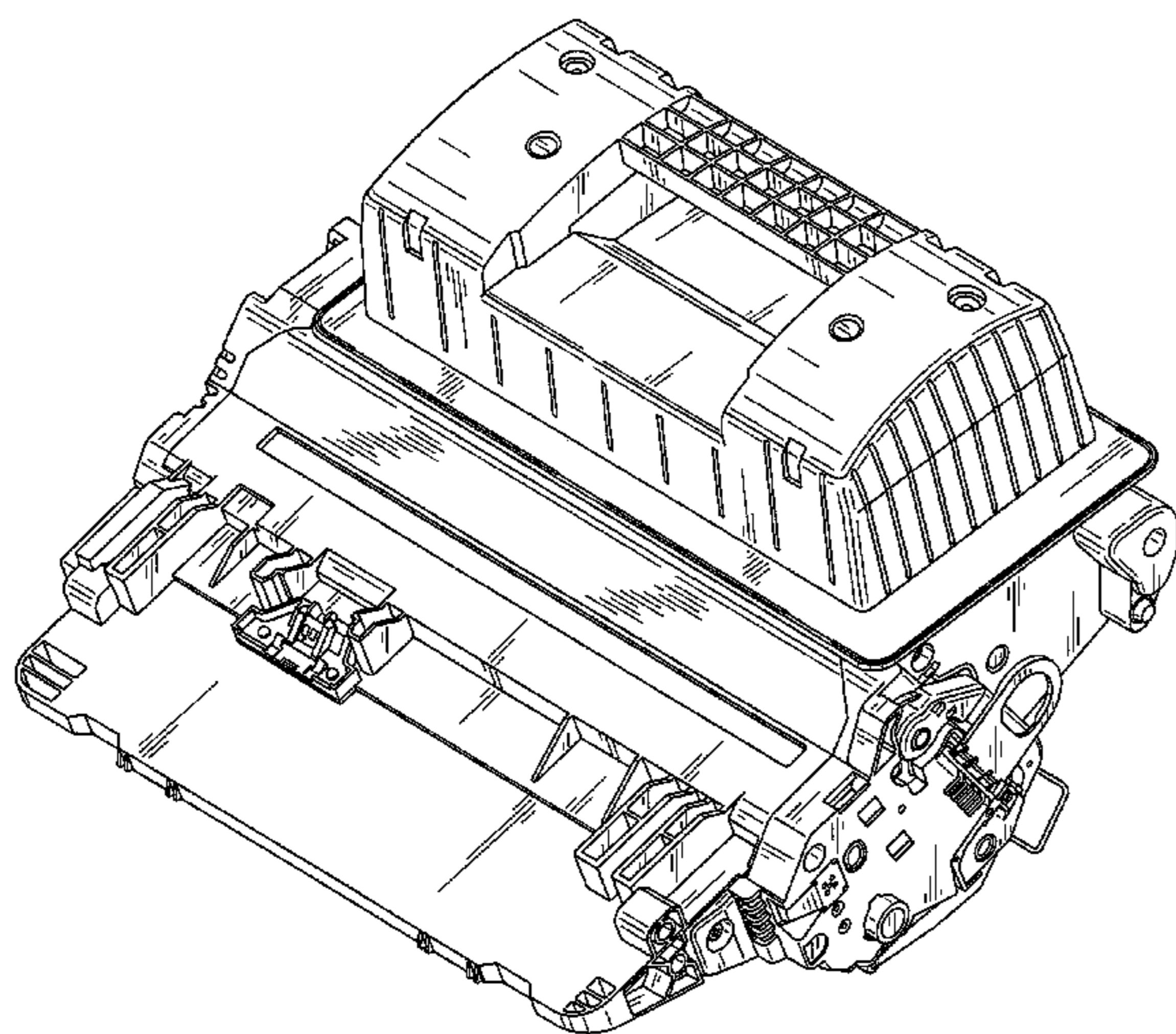
FIG. 6 is a right side view thereof;

FIG. 7 is a perspective view as viewed from top thereof; and,

FIG. 8 is a perspective view as viewed from bottom thereof.

The broken lines shown in FIGS. 1, 4, and 6 depict environmental subject matter only and form no part of the claimed design.

1 Claim, 6 Drawing Sheets



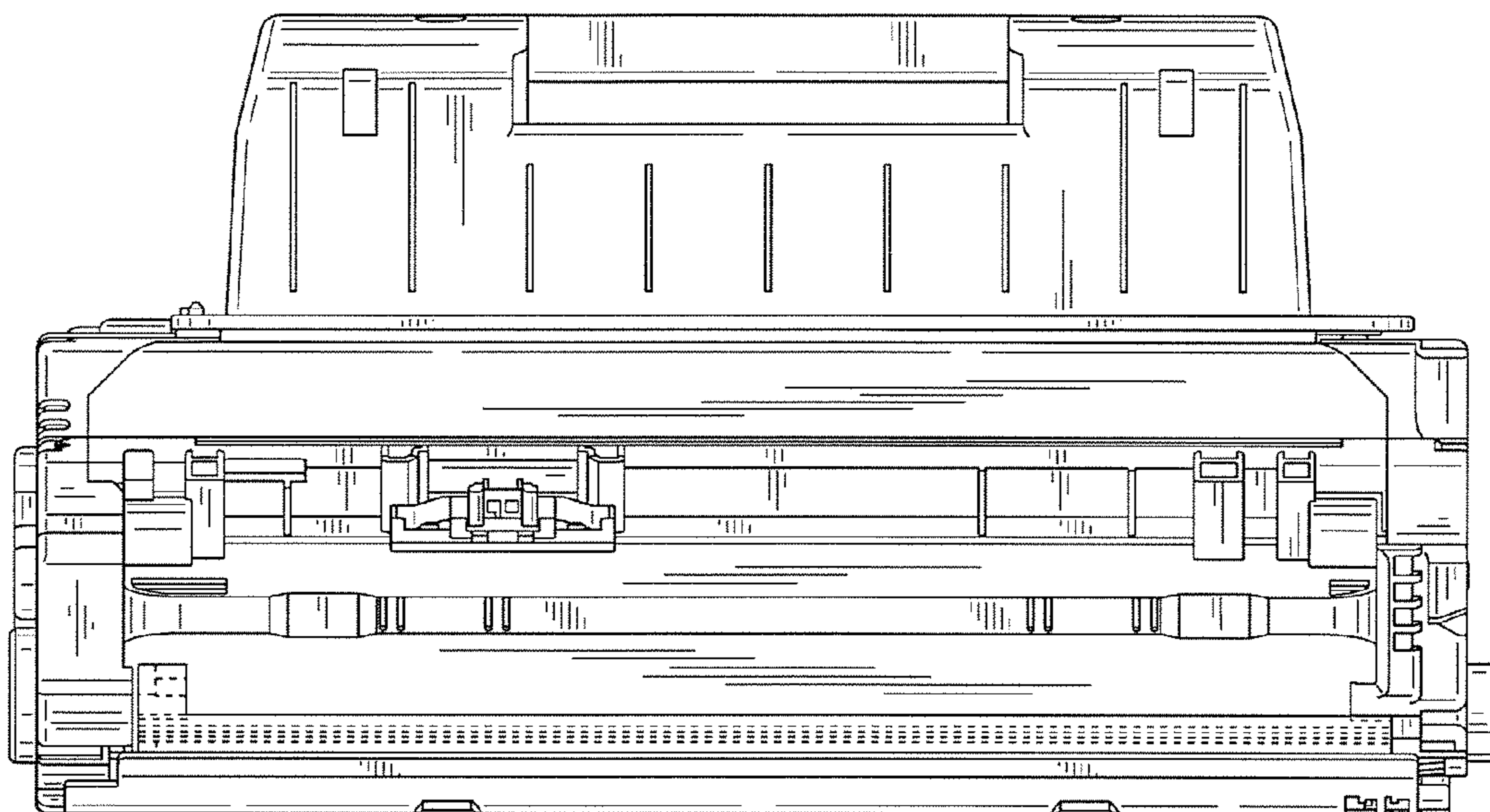


FIG. 1

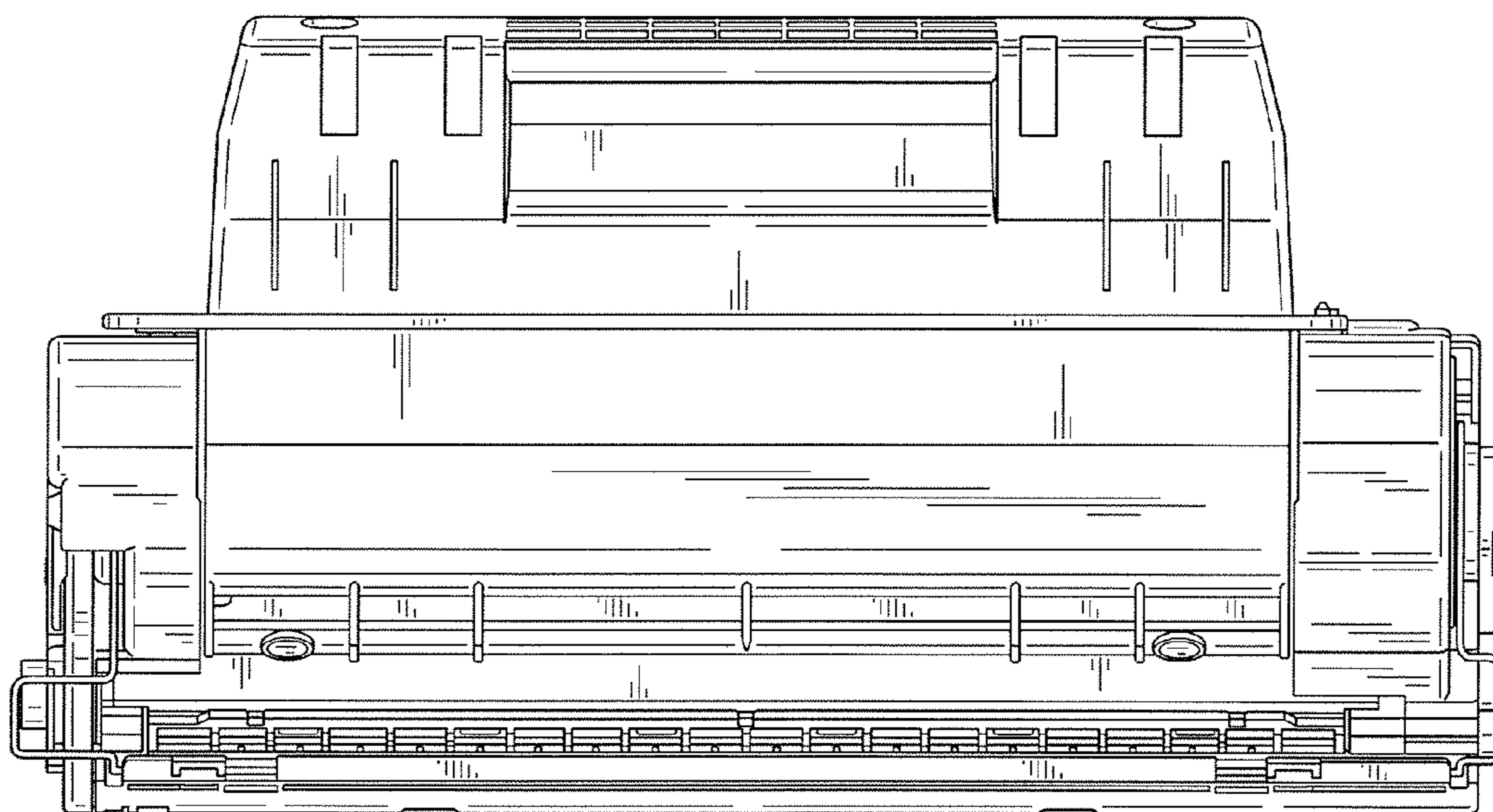


FIG. 2

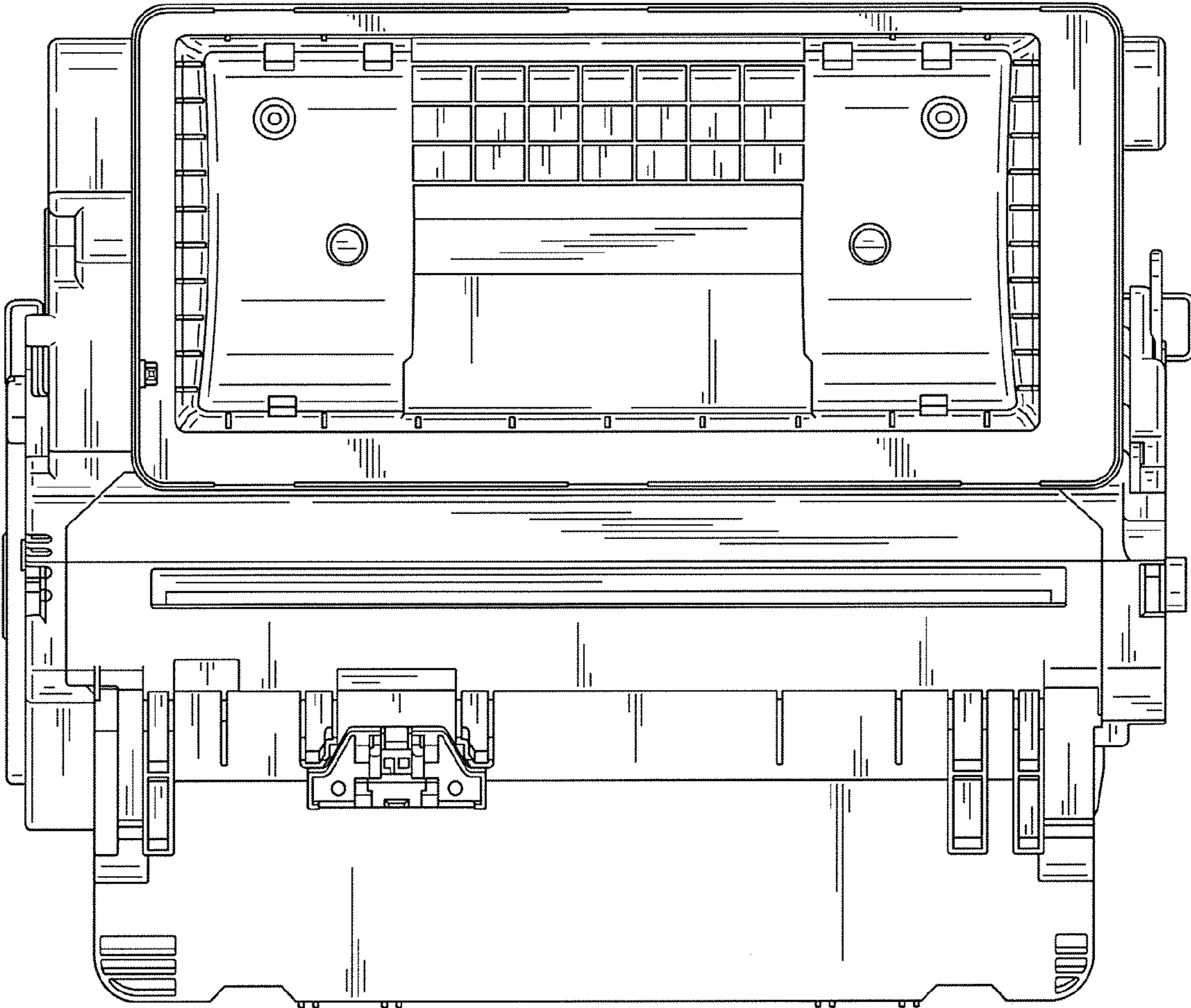


FIG. 3

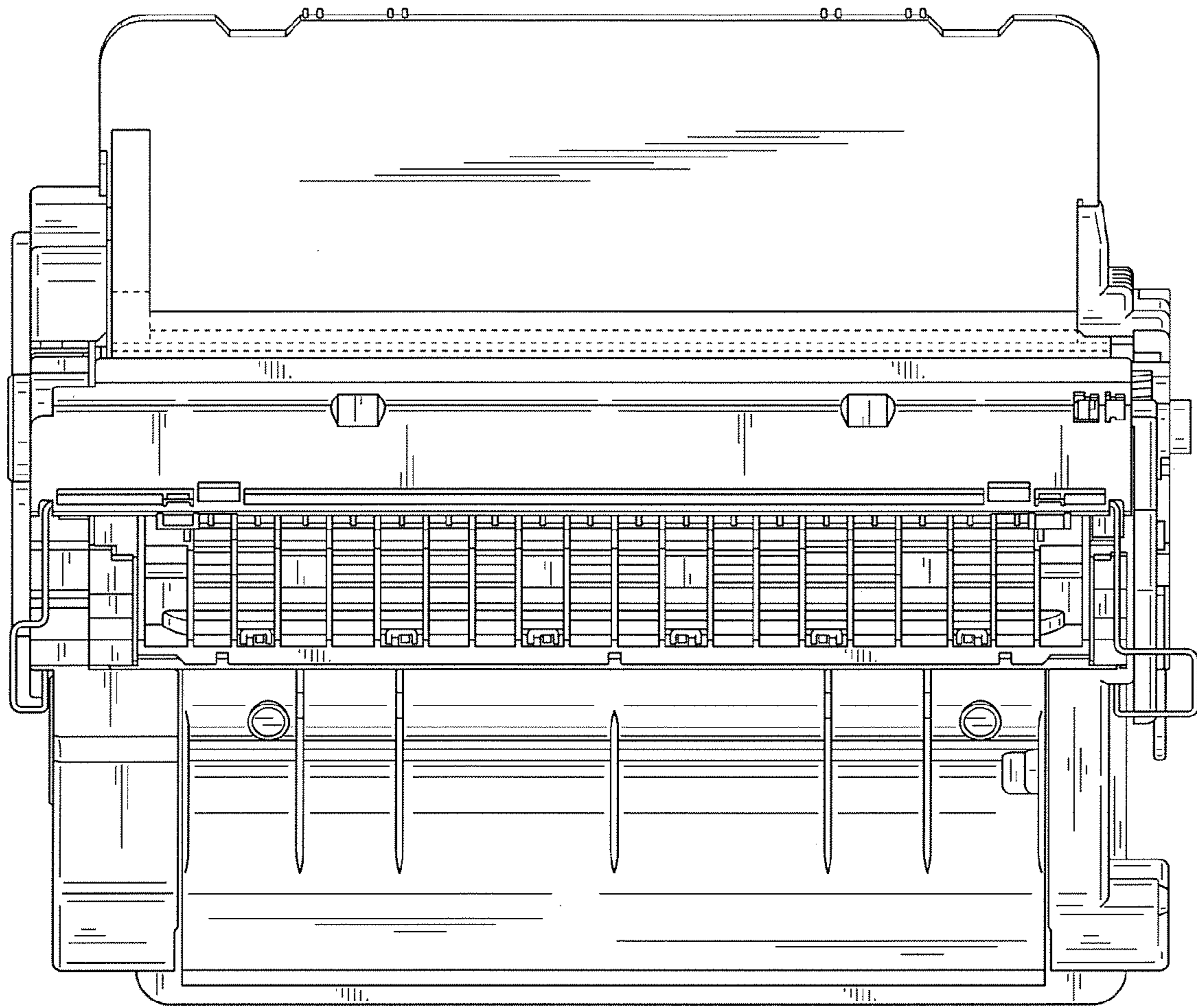


FIG. 4

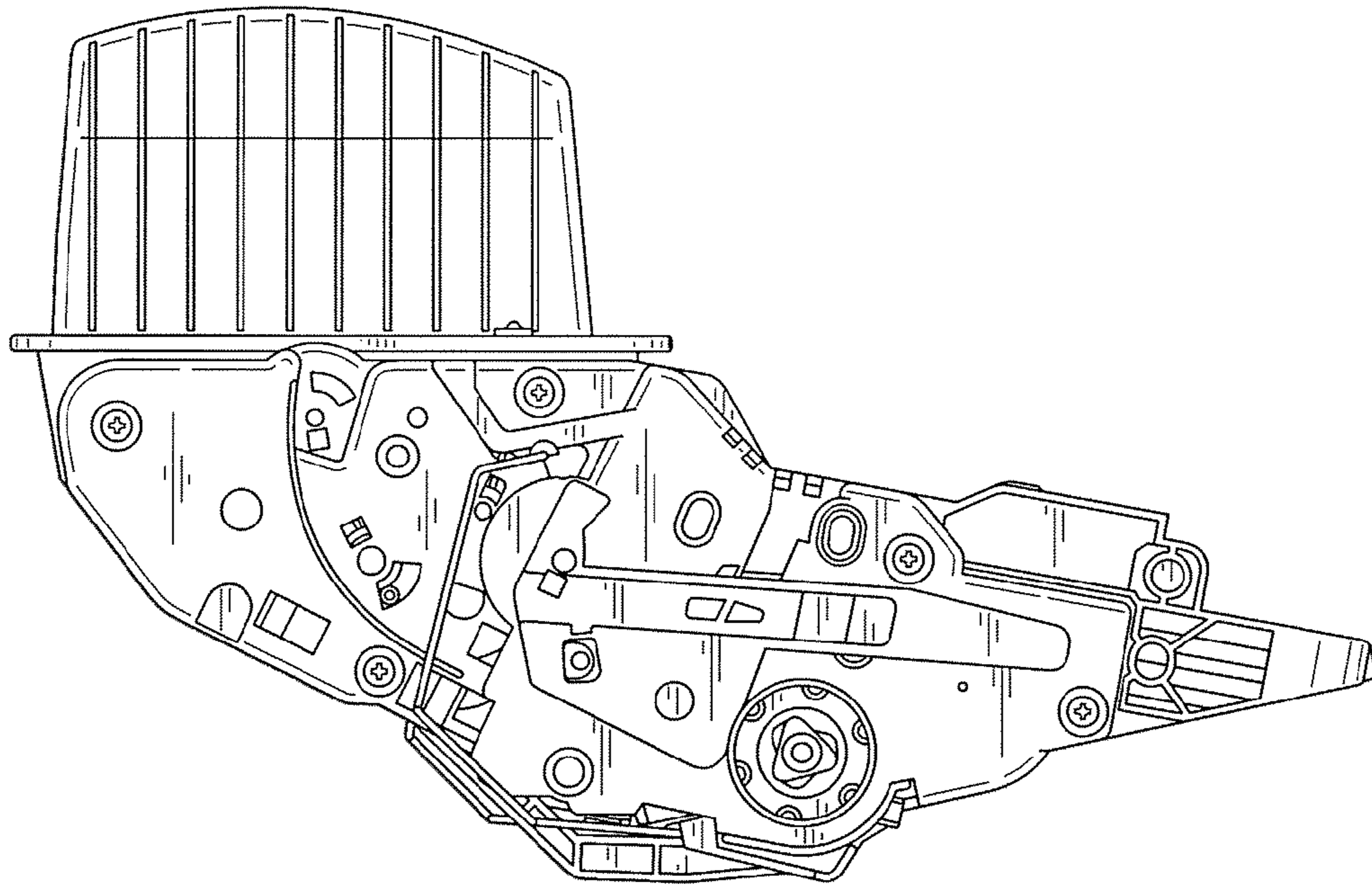


FIG. 5

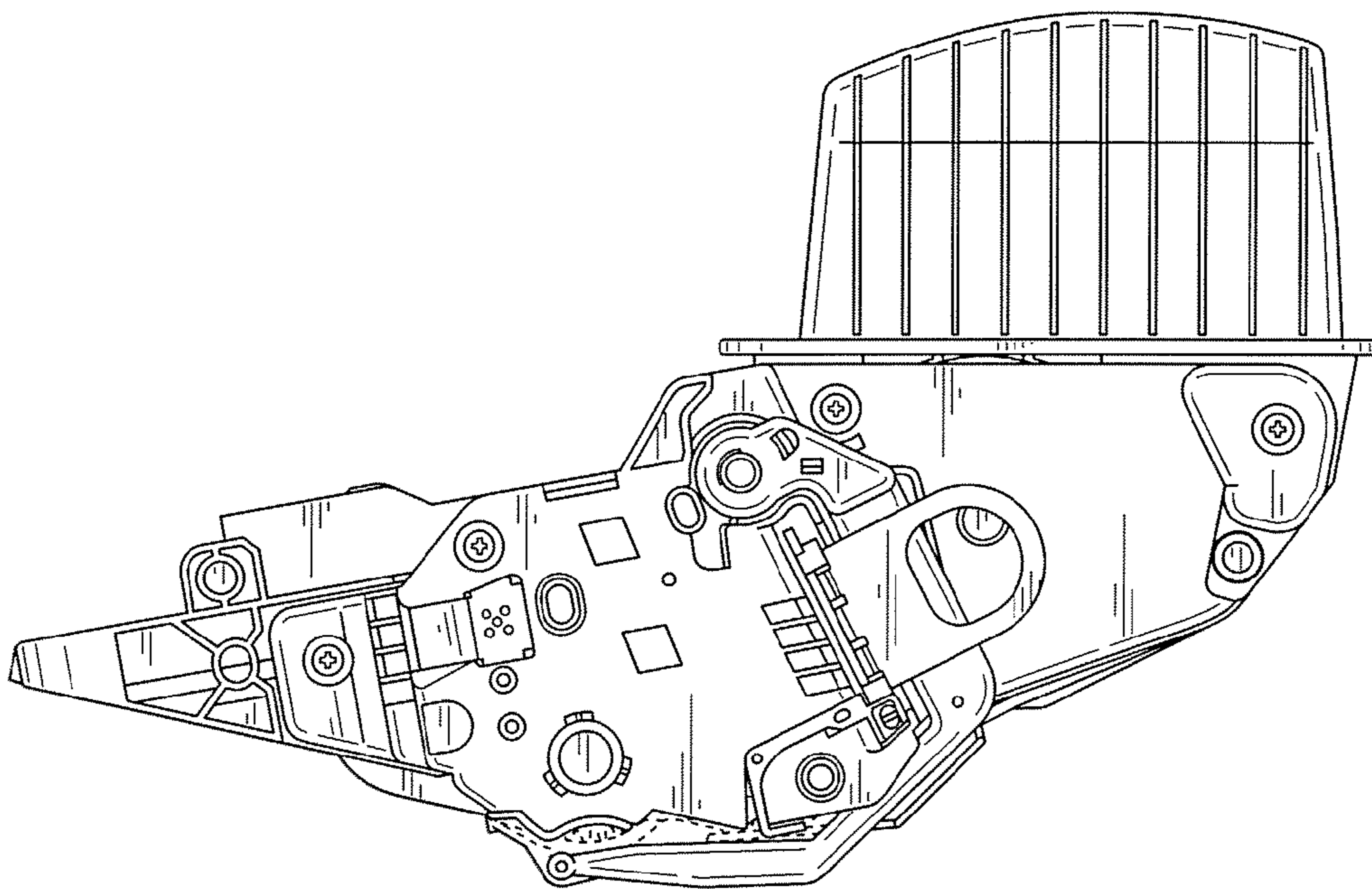


FIG. 6

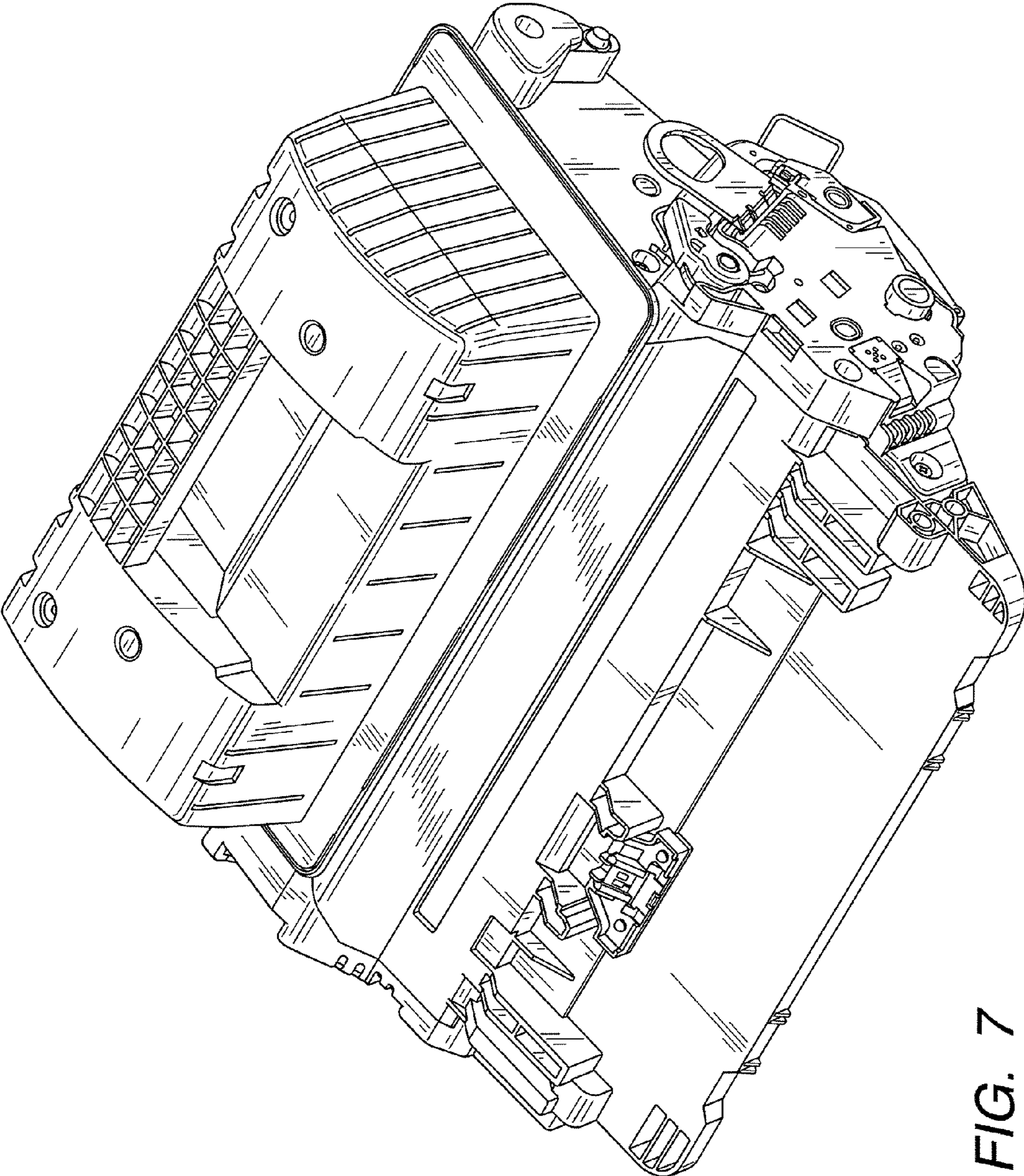


FIG. 7

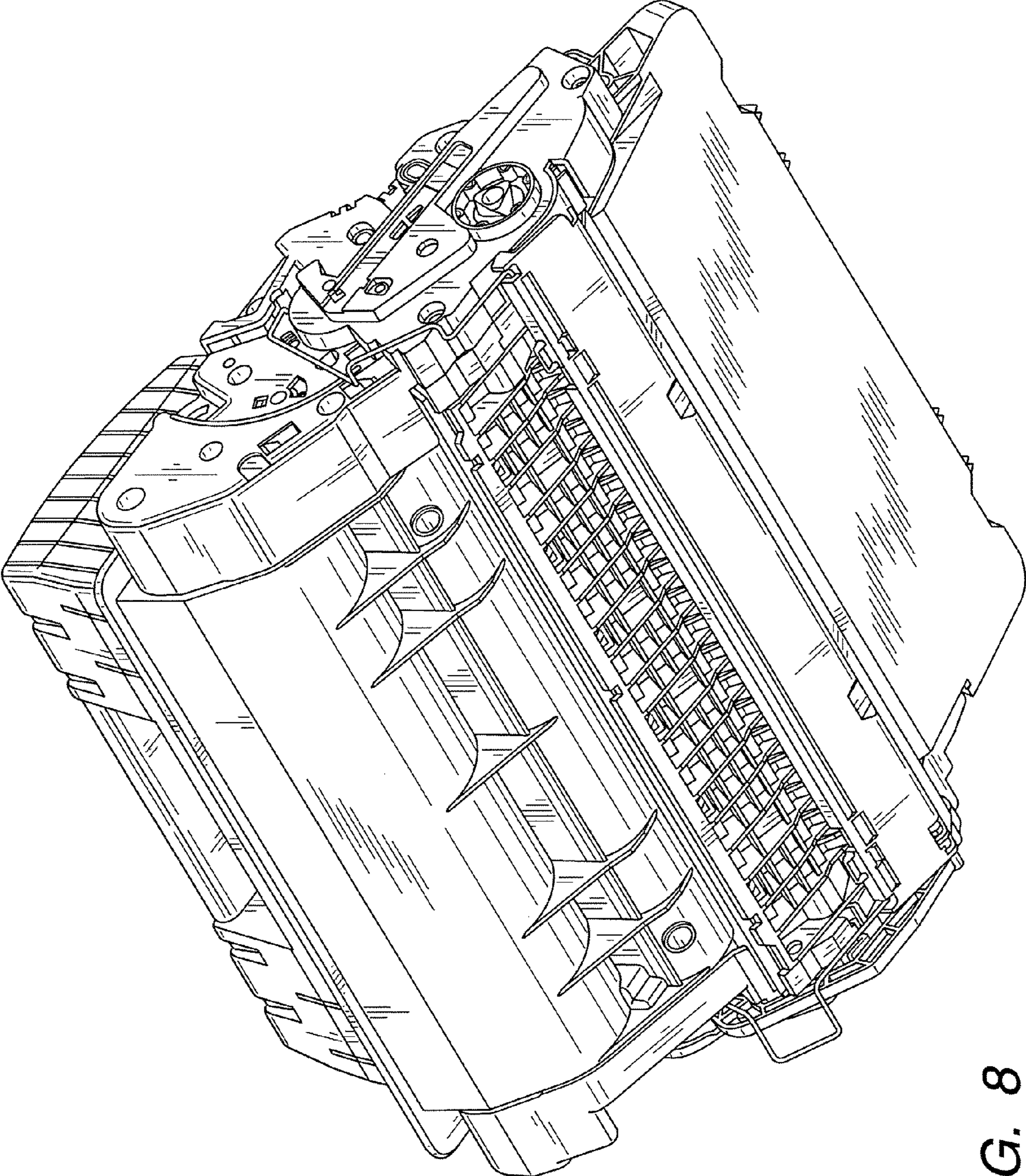


FIG. 8