



US00D585479S

(12) **United States Design Patent**
Campling

(10) **Patent No.:** **US D585,479 S**

(45) **Date of Patent:** **** Jan. 27, 2009**

(54) **GUITAR TRANSPOSITION TOOL**

(75) **Inventor:** **Nicholas John Campling,**
Cambridgeshire (GB)

(73) **Assignee:** **G7th Limited** (GB)

(**) **Term:** **14 Years**

(21) **Appl. No.:** **29/303,908**

(22) **Filed:** **Feb. 20, 2008**

(30) **Foreign Application Priority Data**

Aug. 23, 2007 (GB) 4004107

(51) **LOC (9) Cl.** **17-03**

(52) **U.S. Cl.** **D17/20**

(58) **Field of Classification Search** D17/20,
D17/21, 99; 84/214, 314 R, 317, 318, 453,
84/455

See application file for complete search history.

(56) **References Cited**

U.S. PATENT DOCUMENTS

4,143,576 A * 3/1979 Nichols et al. 84/318
4,149,443 A * 4/1979 Bringe 84/318
4,250,790 A * 2/1981 Shubb et al. 84/318

5,117,723 A * 6/1992 Veenschoten 84/318
D378,825 S * 4/1997 Dunlop D17/20
6,008,441 A * 12/1999 Steinberger 84/318
D521,048 S * 5/2006 Steinberger D17/20

* cited by examiner

Primary Examiner—Adir Aronovich

Assistant Examiner—R. Johnson

(74) *Attorney, Agent, or Firm*—Brook Kushman P.C.

(57) **CLAIM**

The ornamental design for a guitar transposition tool, as shown and described.

DESCRIPTION

FIG. 1 is a perspective view of a guitar transposition tool showing our new design;

FIG. 2 is a left side view thereof;

FIG. 3 is a bottom view thereof;

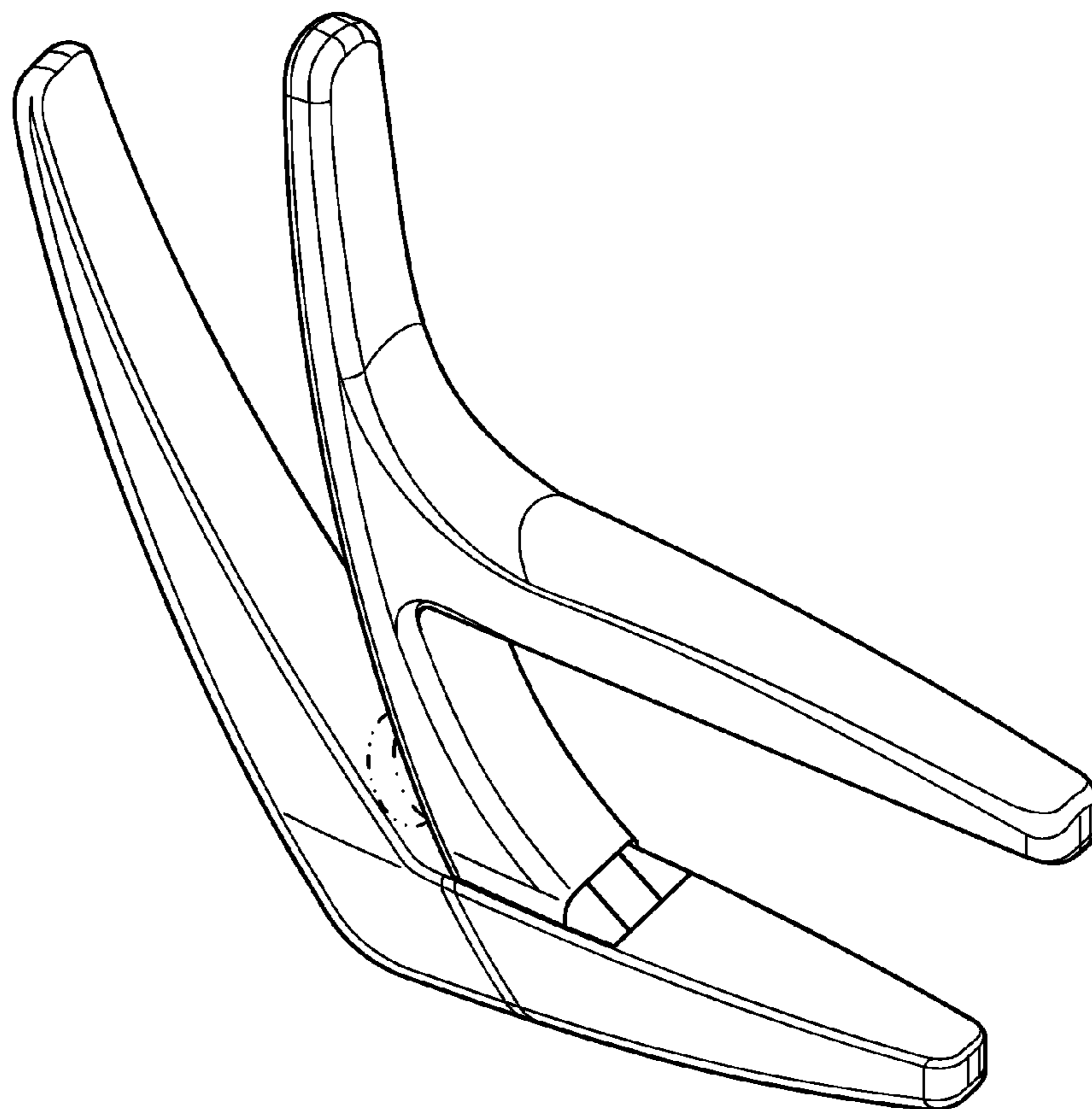
FIG. 4 is a top plan view thereof;

FIG. 5 is a front view thereof; and,

FIG. 6 is a rear view thereof.

The broken lines portions in FIGS. 1 and 2 are shown for illustration only and form no part of the claim.

1 Claim, 6 Drawing Sheets



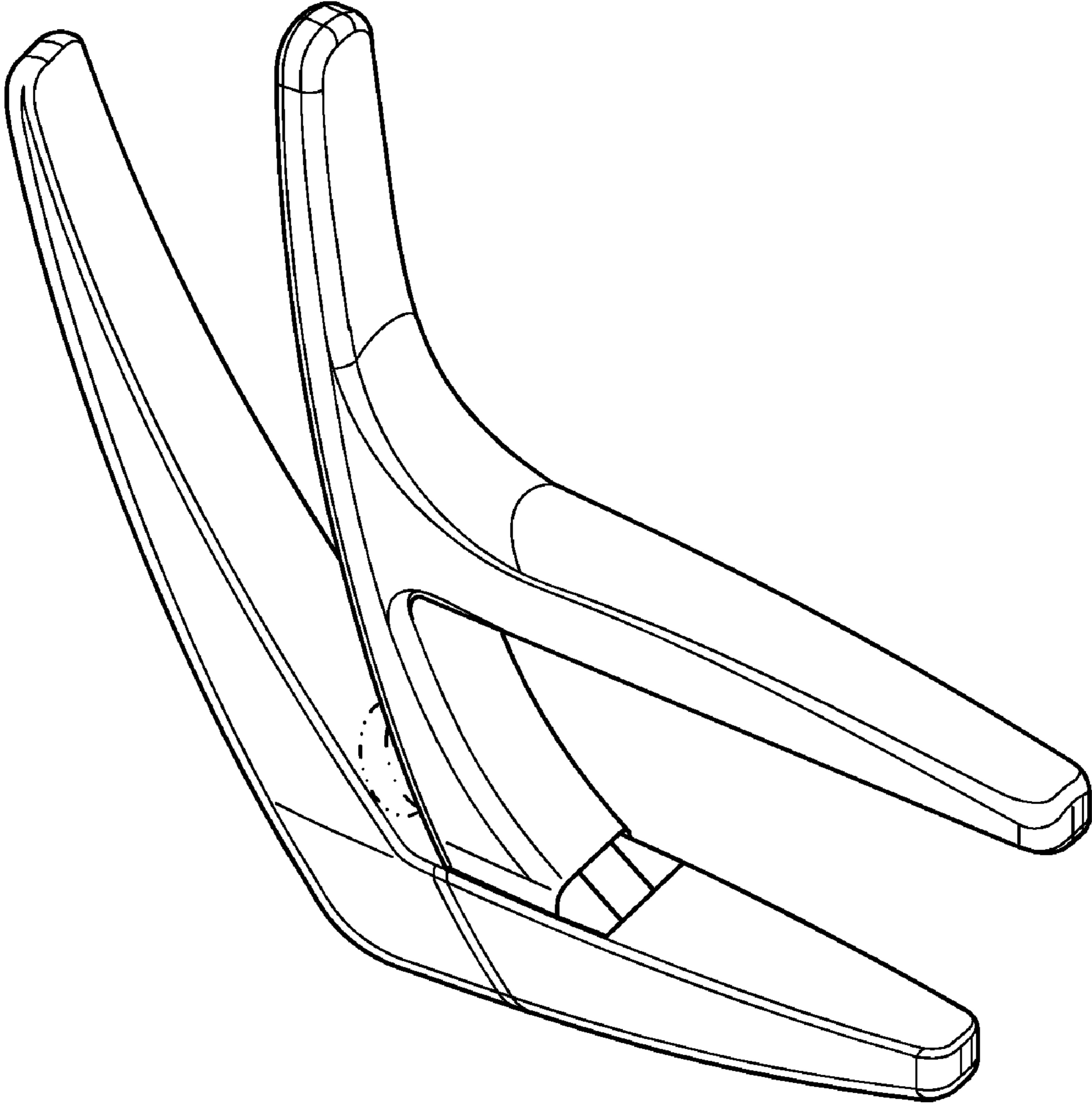


FIG. 1

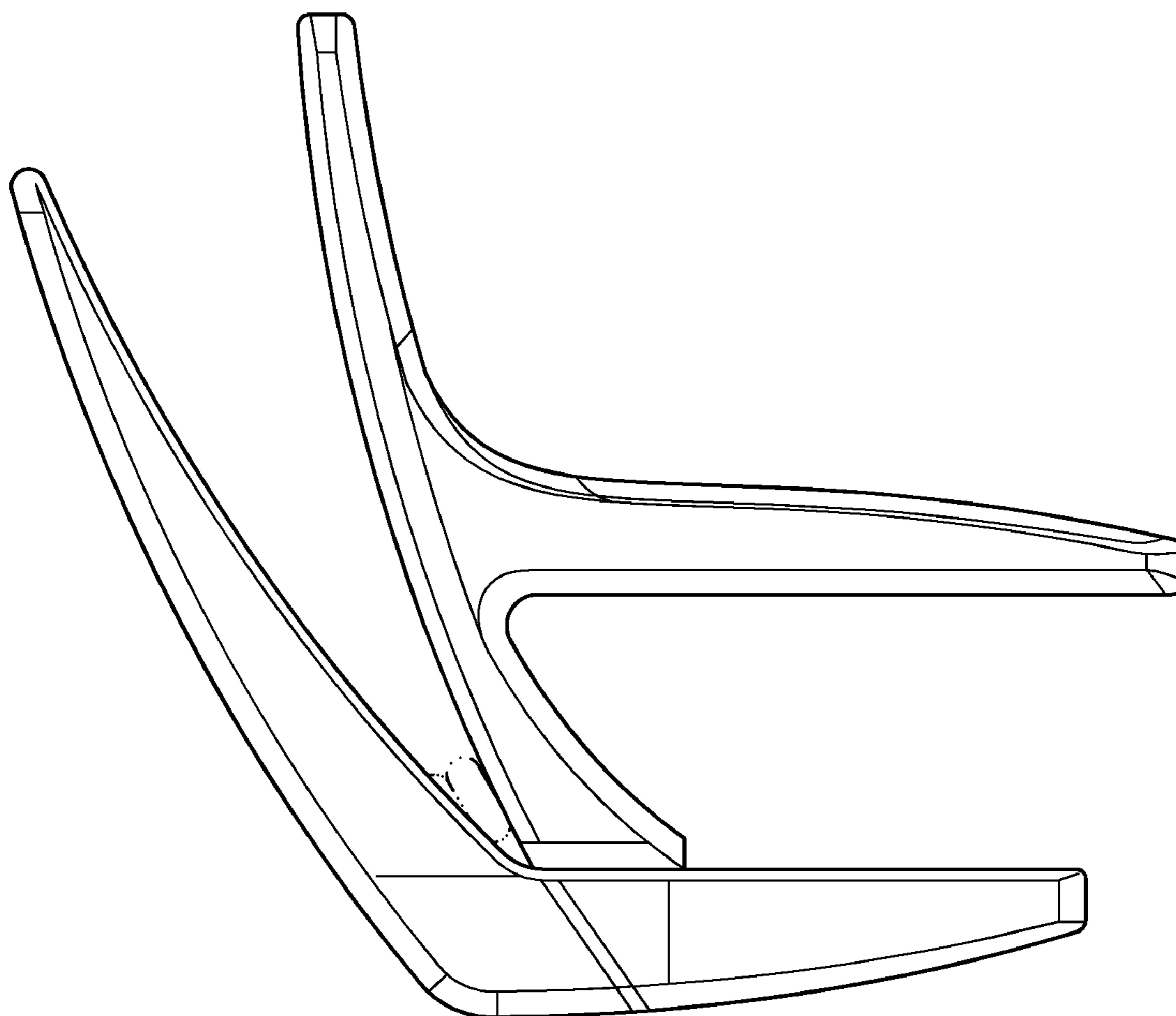


FIG. 2

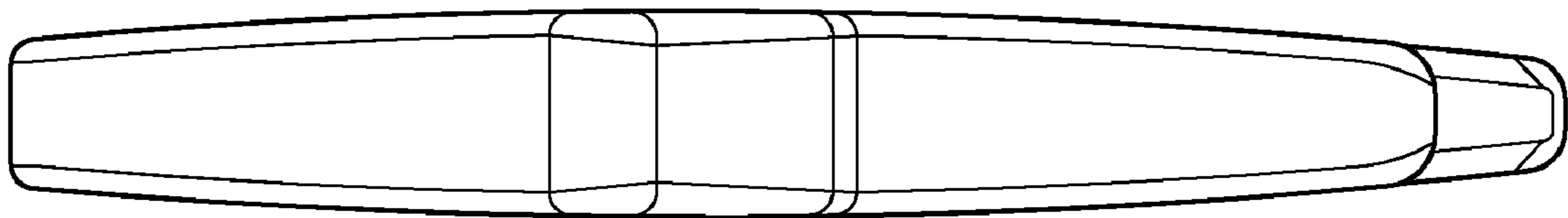


FIG. 3

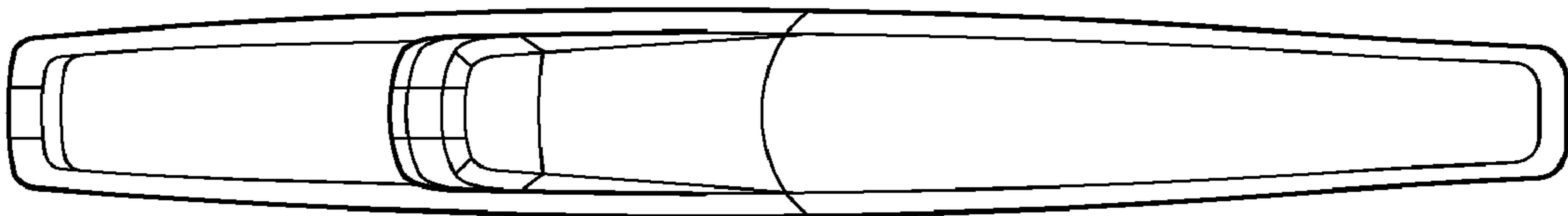


FIG. 4

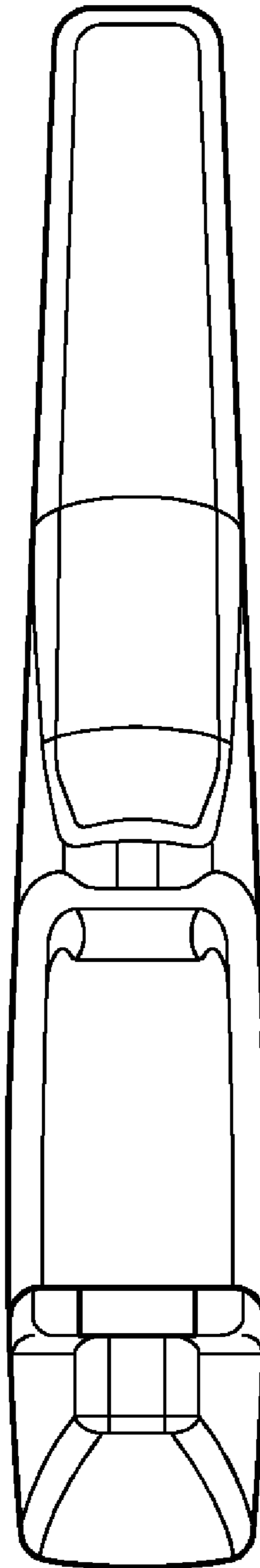


FIG. 5

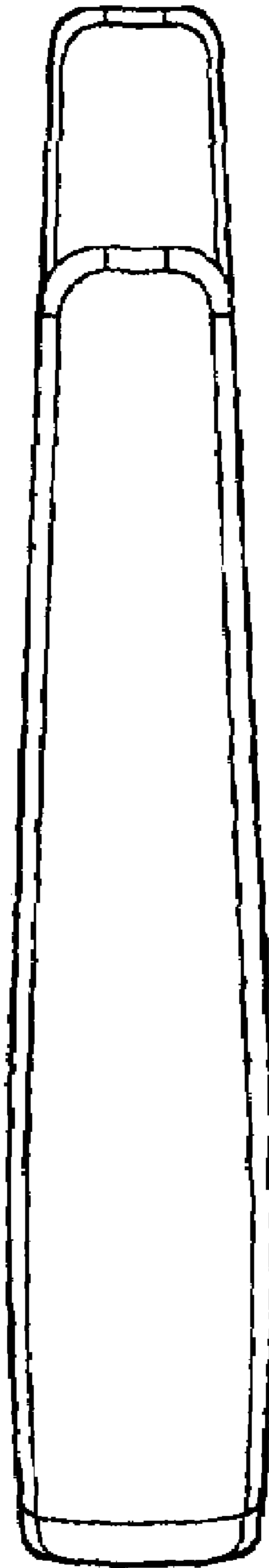


FIG. 6