



US00D585470S

(12) **United States Design Patent**
Cetera

(10) **Patent No.:** **US D585,470 S**

(45) **Date of Patent:** **** Jan. 27, 2009**

(54) **MAGNIFYING GLASS PEN**

(75) Inventor: **Carl Cetera**, Tenafly, NJ (US)

(73) Assignee: **Cotapaxi Custom Design and Manufacturing, LLC**, Carlstadt, NJ (US)

(**) Term: **14 Years**

(21) Appl. No.: **29/295,638**

(22) Filed: **Oct. 2, 2007**

(51) **LOC (9) Cl.** **16-01**

(52) **U.S. Cl.** **D16/135; D19/36**

(58) **Field of Classification Search** D16/130, D16/135, 136; D19/35, 36, 41, 65, 69, 77, D19/78, 83, 99; D10/2, 62; D3/212; D8/104; 401/34, 117, 195; 359/798, 802, 803, 804, 359/808, 810, 811, 813, 817, 819, 821
See application file for complete search history.

(56) **References Cited**

U.S. PATENT DOCUMENTS

D178,766 S *	9/1956	Cressaty	D16/135
D180,956 S *	9/1957	Maier	D16/135
D188,151 S *	6/1960	Linsley	D8/104
D196,452 S *	10/1963	Burlin et al.	D16/135
3,409,343 A *	11/1968	Zapp	359/431
3,409,347 A *	11/1968	Vogel	359/808
D219,065 S *	10/1970	Zelnick	D10/62
D236,028 S *	7/1975	Schroeder	D16/135
D248,401 S *	7/1978	Del Pesco, Sr.	D16/135
D269,184 S *	5/1983	Tweedie	D16/135
D269,275 S *	6/1983	Tweedie	D16/135

D336,655 S *	6/1993	Lee	D16/135
D367,487 S *	2/1996	Segan	D16/135
D475,405 S *	6/2003	Cetera	D19/48
D475,741 S *	6/2003	Cetera	D19/51
D483,065 S *	12/2003	Cetera	D19/36
D484,188 S *	12/2003	Cetera	D19/51
D489,761 S *	5/2004	Cetera	D19/51
D495,003 S *	8/2004	Cetera	D19/51
D495,364 S *	8/2004	Cetera	D19/51
D495,365 S *	8/2004	Cetera	D19/51
D497,180 S *	10/2004	Cetera	D19/36
D538,321 S *	3/2007	Yeh	D16/135
D539,318 S *	3/2007	Oas	D16/135
D543,470 S *	5/2007	Bhavnani	D10/2
D561,217 S *	2/2008	Young	D16/135

* cited by examiner

Primary Examiner—Paula Greene

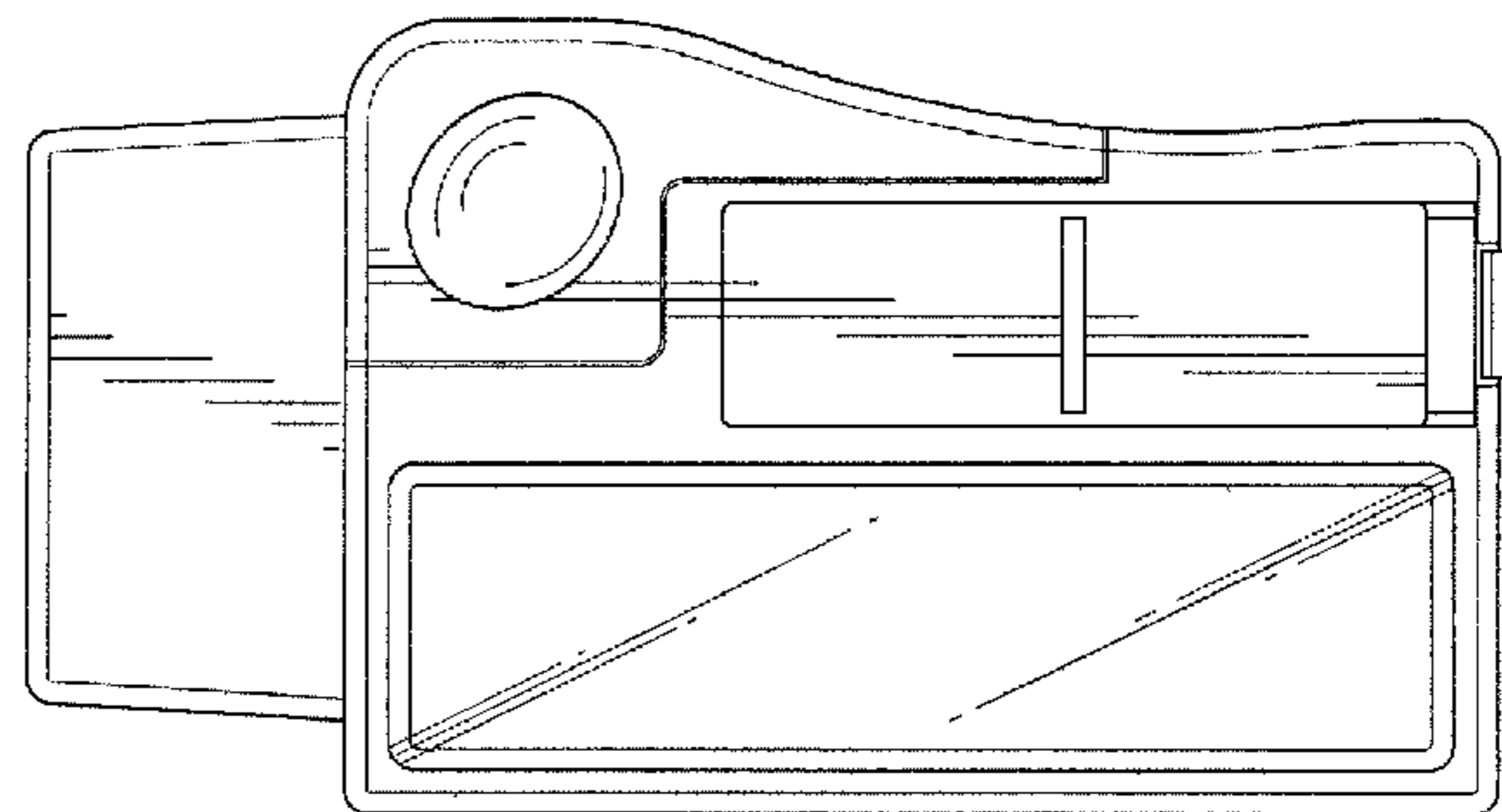
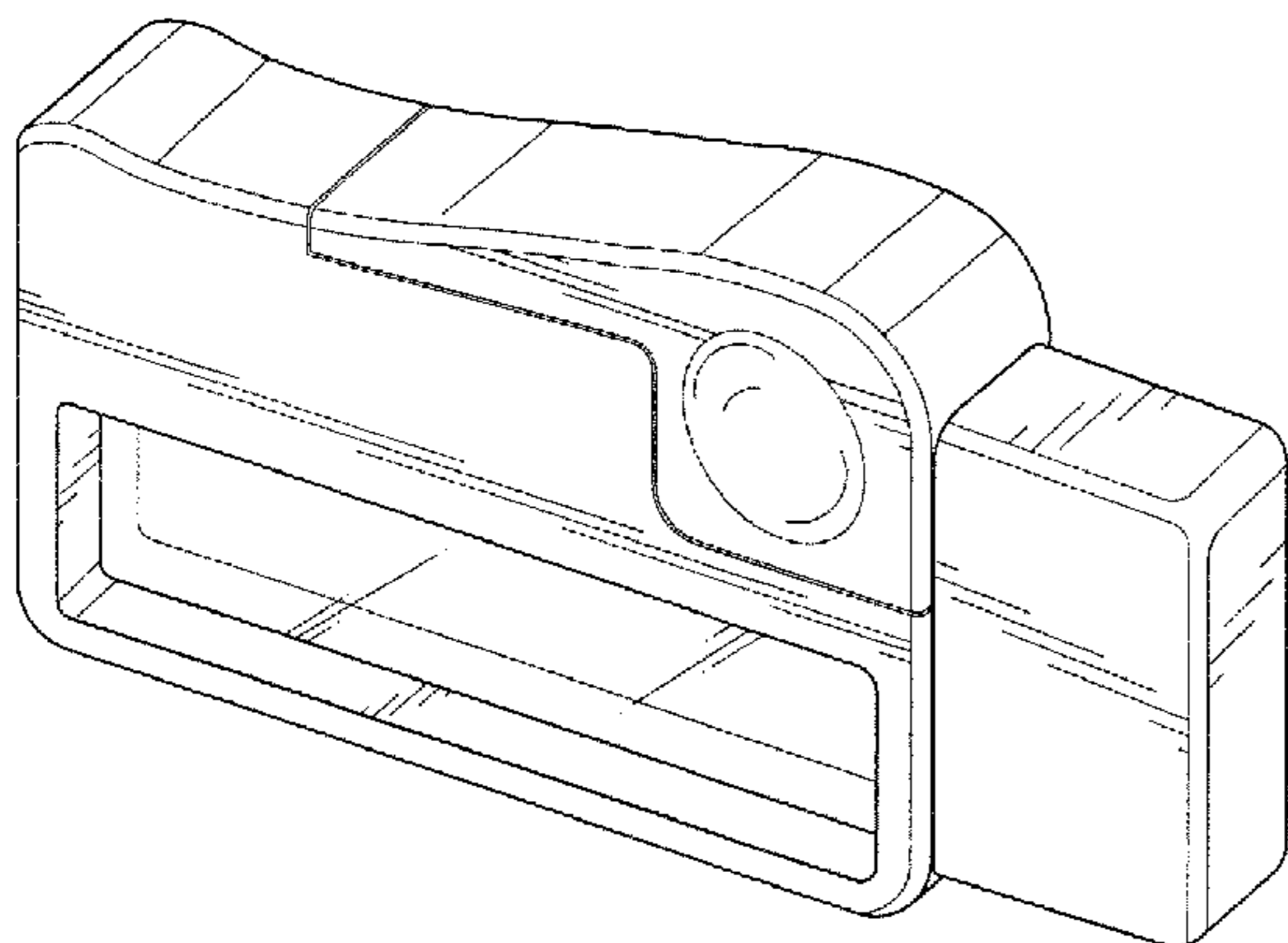
(57) **CLAIM**

The ornamental design for a magnifying glass pen, as shown and described.

DESCRIPTION

FIG. 1 is a front top side perspective view of the magnifying glass pen showing my new design;
FIG. 2 is a front elevational view thereof;
FIG. 3 is a left side elevational view thereof;
FIG. 4 is a top plan view thereof;
FIG. 5 is a bottom plan view thereof;
FIG. 6 is a back elevational thereof; and,
FIG. 7 is a right side elevational view thereof.

1 Claim, 2 Drawing Sheets



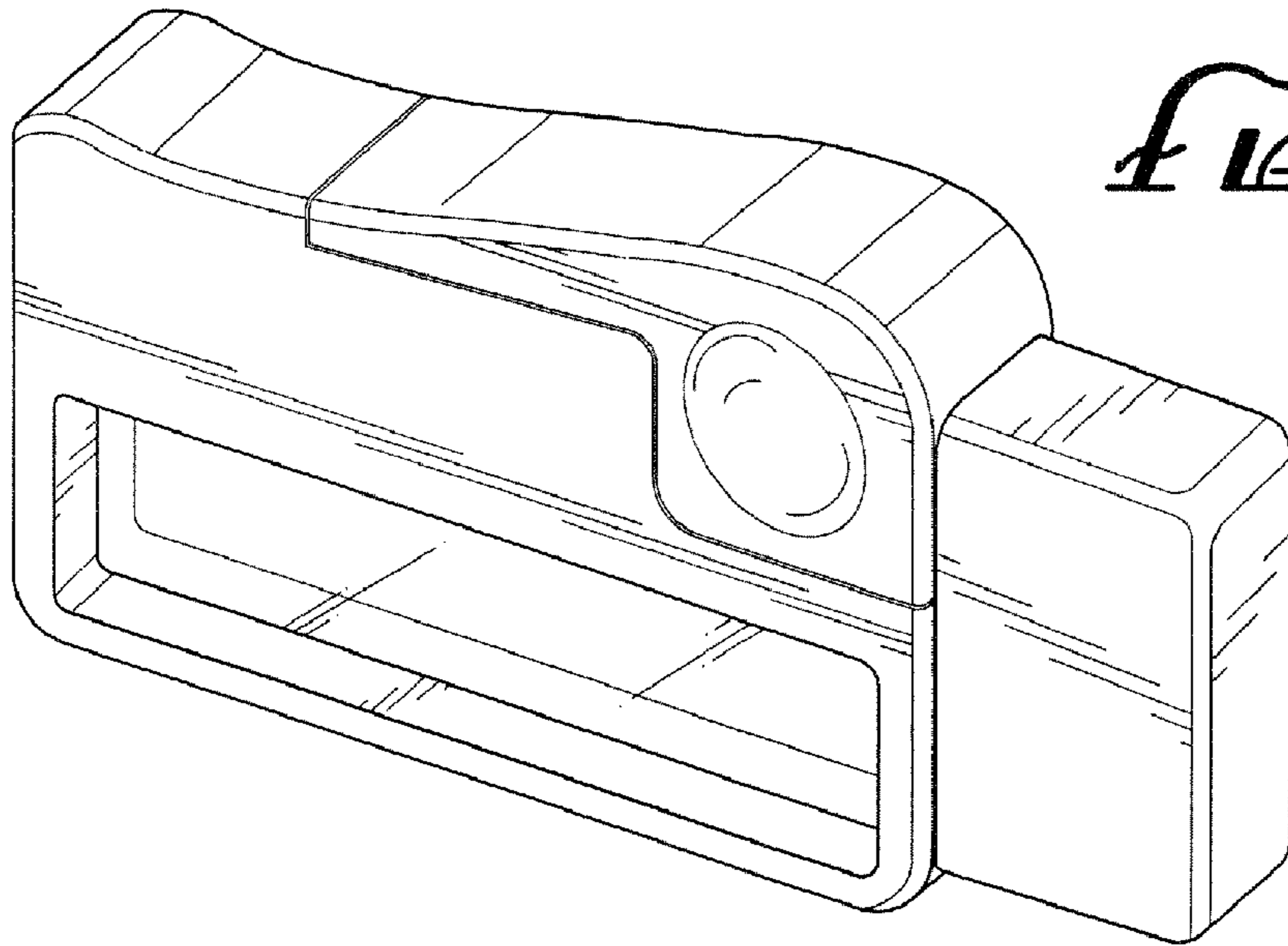


FIG. 1

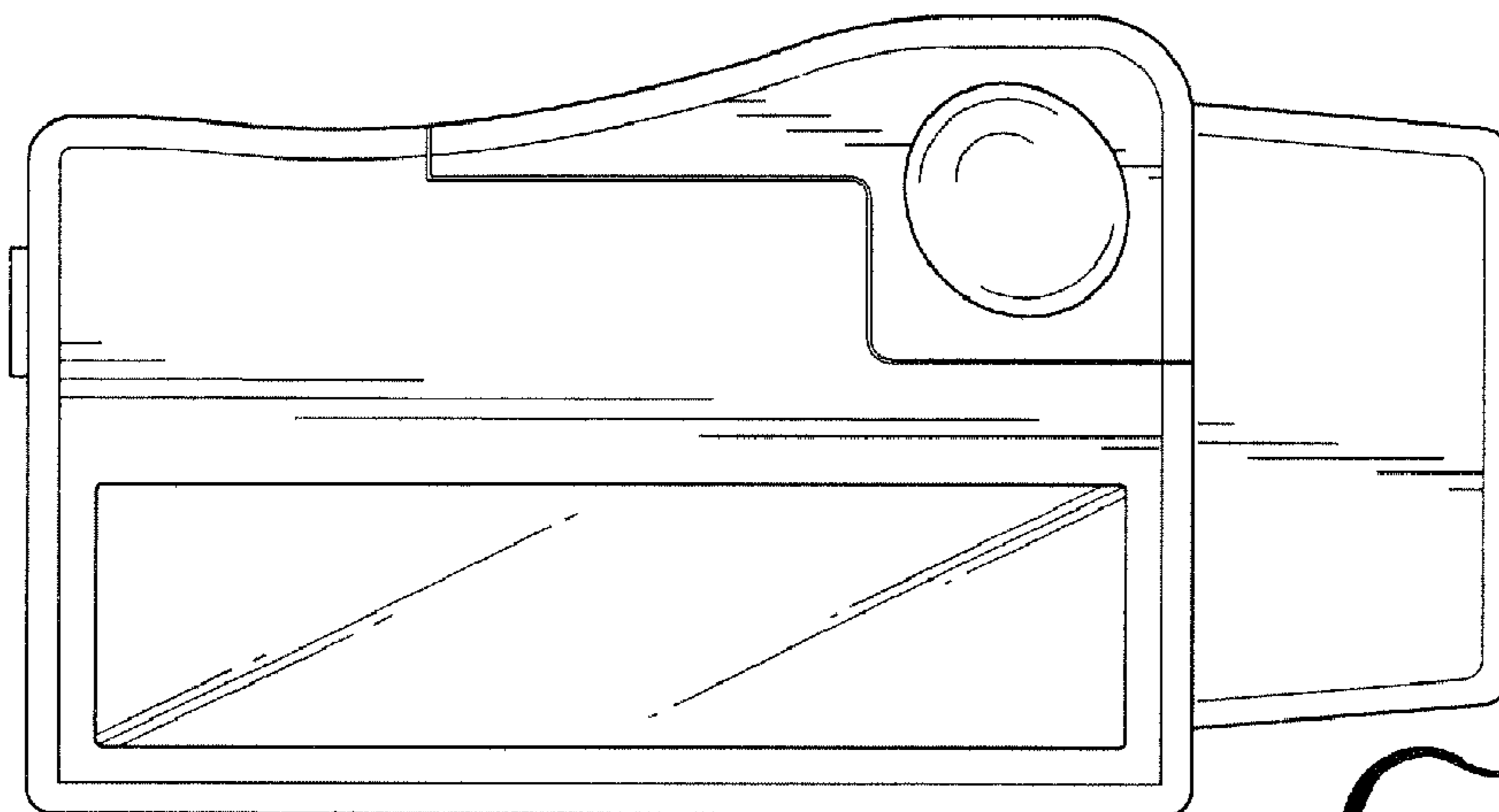


FIG. 2

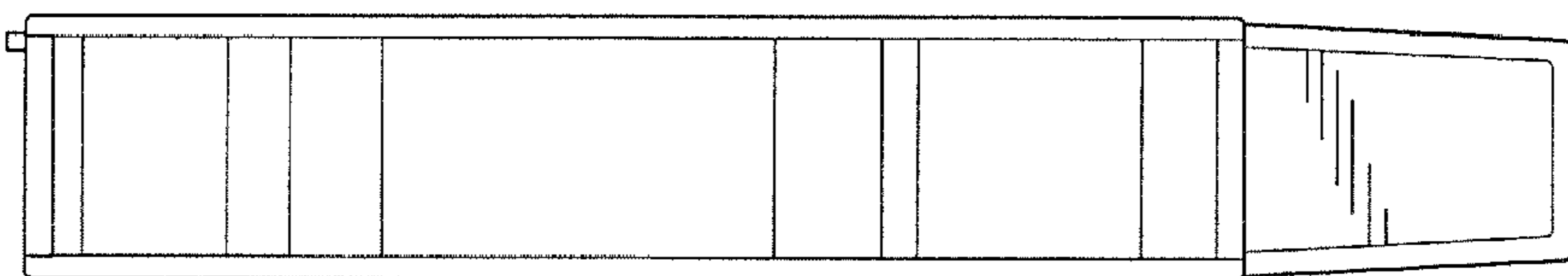


FIG. 3

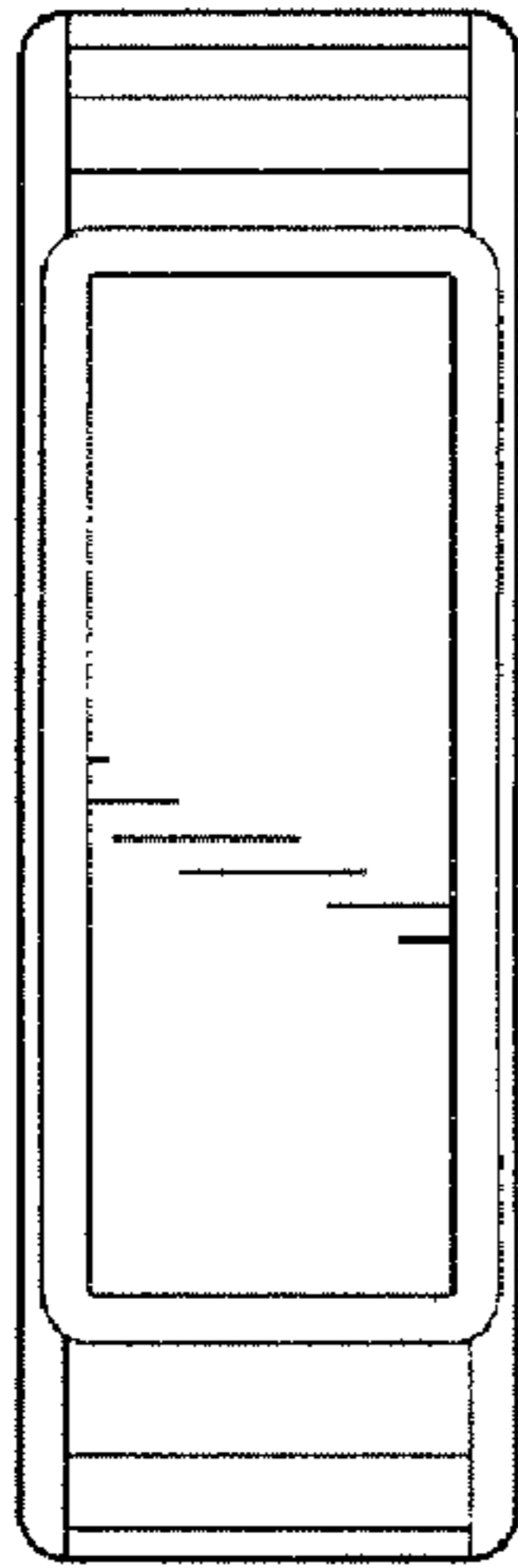


FIG. 4

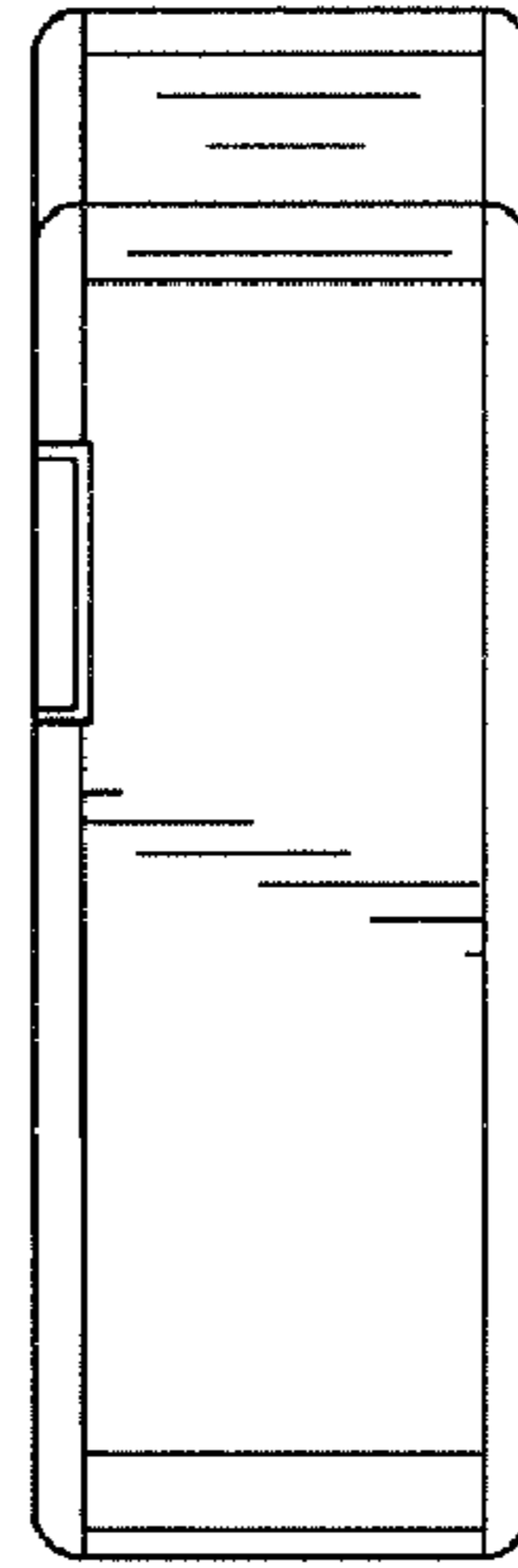


FIG. 5

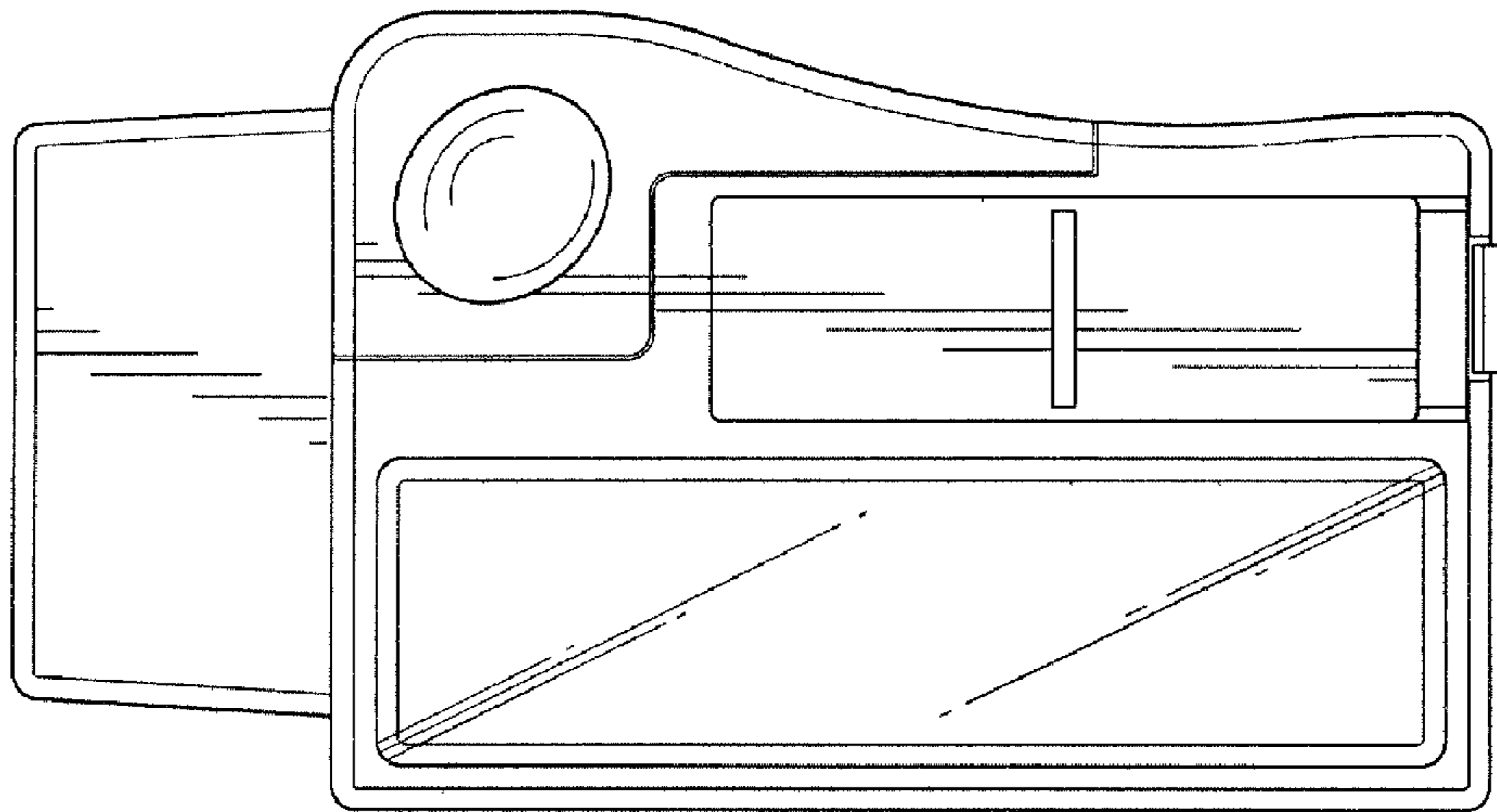


FIG. 6

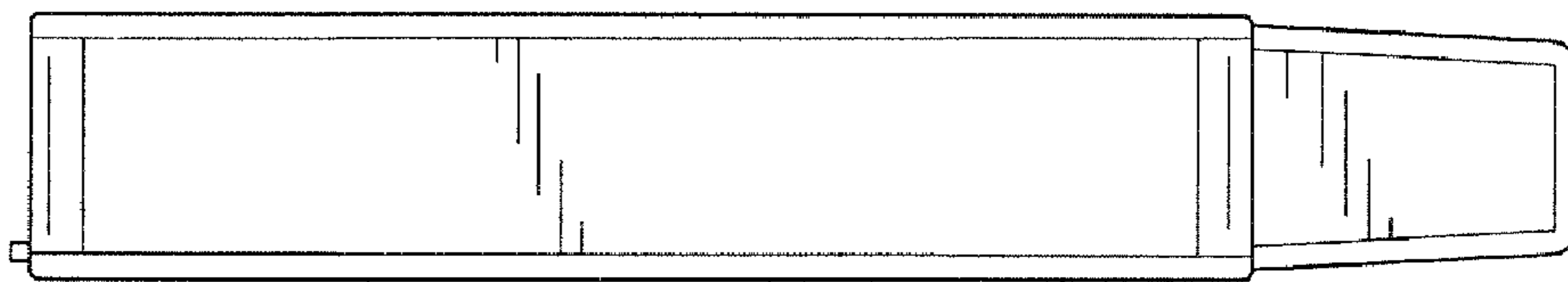


FIG. 7